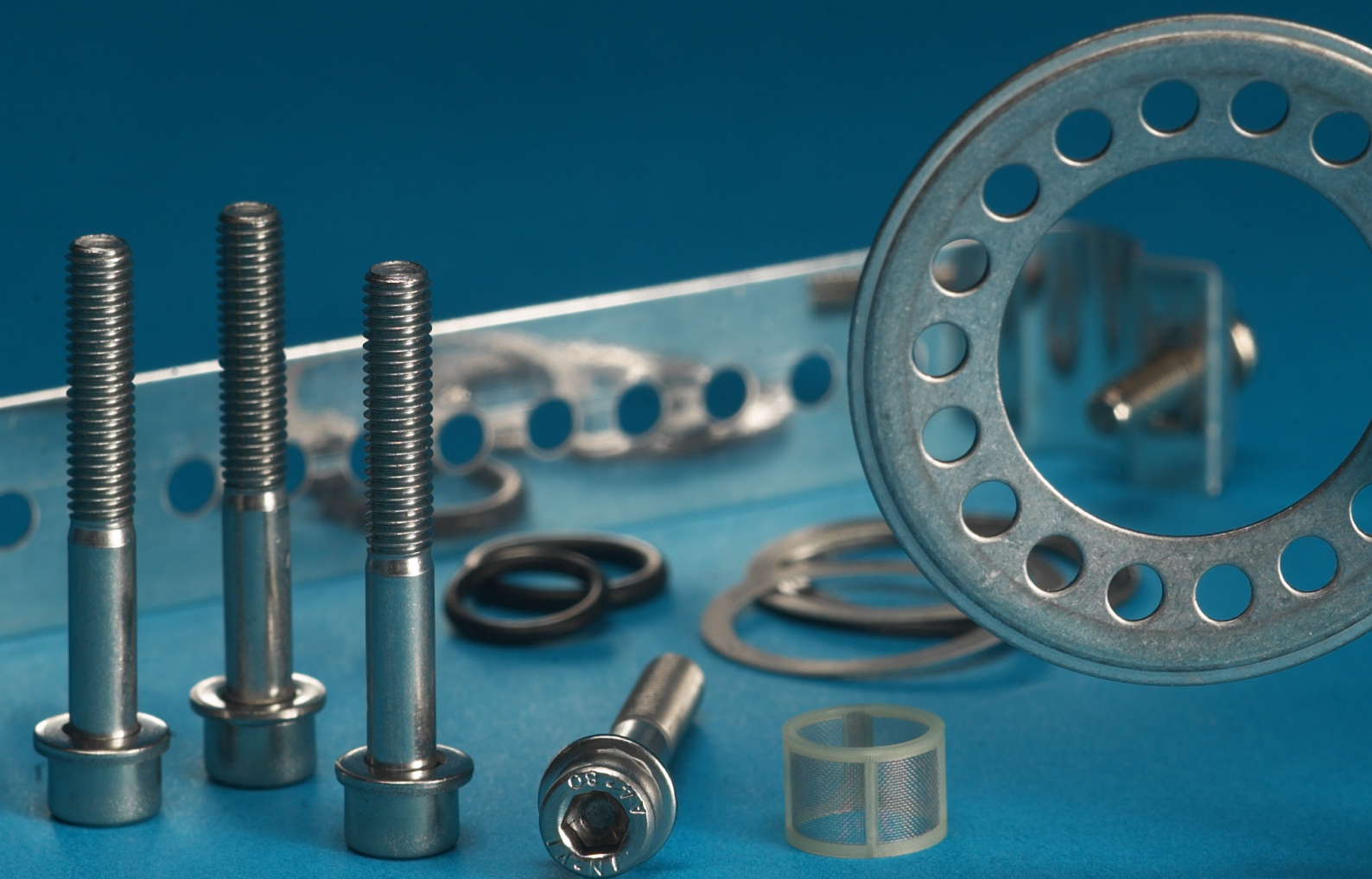


ENGINEERING  
TOMORROW

*Danfoss*

Product Catalogue

# Industrial Refrigeration **Spare parts and accessories**







## Industrial Refrigeration

### Spare parts and accessories

<b>Shut-off and regulating valves</b>	<b>Page</b>	<b>Strainers</b>	<b>Page</b>
Shut-off valves..... SVA-S / SVA-L.....	3	Strainers..... FIA.....	3
Shut-off valves..... SVA-ST.....	3	Strainer inserts..... FIA.....	303
Shut-off valves..... SVA-LT.....	3	Strainers..... FA.....	304
Shut-off valves..... SVA-HS.....	3	Filters..... FIL.....	305
Shut-off valves..... SVA-DH.....	275	Filter drier..... DCR.....	306
Shut-off valves..... SVA-DL.....	276		
Shut-off valves..... STC.....	277	<b>Check valves</b>	
Hand regulating valves..... REG-SA / REG-SB.....	3	Stop & check valves..... SCA / SCA-X.....	3
Hand regulating valves..... REG.....	65	Check valves..... CHV / CHV-X.....	3
Gauge valves..... SNV-ST.....	279	Check valves..... NRVA.....	308
Shut-off valves..... QDV.....	280		
		<b>Solenoid valves</b>	
<b>Pressure and temperature regulators</b>		Solenoid valves..... EVRA / EVRAT.....	131
Pilot operated servo valves..... ICS.....	67	Solenoid valves (stainless steel)..... EVRS / EVRST.....	131
Motor operated valves..... ICM/ICAD.....	67	2-step solenoid valves..... ICLX.....	67
Pilot valves for main valves..... CVP, CVPP, CVC and CVT.....	281	Dual position solenoid valve..... ICSH.....	313
Pilot valves for main valves..... EVM (NC) and EVM (NO).....	131	Block valves..... BV1 and BV2.....	309
Pilot operated servo valves..... PM.....	163	2-step solenoid valves..... GPLX.....	310
Valve housings..... ICV PM.....	270	Gas powered stop valves..... GPS.....	312
Motorised valve..... MEV.....	163	Solenoid valve..... PML.....	163
Motorised valve..... MRV.....	163	2-step solenoid valves..... PMLX.....	163
Pilot operated servo valves..... PMC.....	163		
Temperature regulating valves..... ORV.....	282	<b>Sensors</b>	
Pressure regulating valves..... OFV.....	283	Liquid level sensors..... AKS 4100/4100U.....	296
Pressure regulating valves..... CVMD.....	284	Gas detecting sensors..... GDA/GDC/GDHC/GDHF/GDH.....	314
<b>Switches and thermostats</b>		<b>Safety valves</b>	
Pressure controls..... RT.....	285	Safety relief valves..... SFA.....	315
Thermostats..... RT.....	286	Safety relief valves..... SFV.....	315
Pressure switches..... KP.....	287	Safety relief valves..... POV.....	315
Pressure controls..... RT.....	289	Change-over valves..... DSV.....	316
Differential pressure switches..... MP 54-55 / MP 55A.....	291		
Liquid level switches..... AKS 38.....	295	<b>Expansion valves</b>	
		Thermostatic expansion valves..... TEA.....	271
<b>Liquid level regulating valves</b>		Desuperheating valves..... TEAT.....	271
Float valves..... HFI.....	292	Thermostatic liquid level regulator... TEVA.....	271
Float valves, direct-controlled..... SV 1 and 3.....	293	Expansion valve for ammonia..... TEAQ.....	271
Float valves, direct operated, for LP side..... SV 4, 5 and 6.....	294	Electric expansion valves..... AKVA.....	320
Liquid level regulating valves..... PMFL.....	163		
Liquid level regulating valves..... PMFH.....	163	<b>Flanges</b>	
		Flanges, gaskets, bolts and nuts.....	323
<b>Valve stations</b>		Danfoss Hand Tools.....	359
Valve stations..... ICF.....	298		
<b>Sight glasses</b>			
Sight glasses..... LLG.....	297		

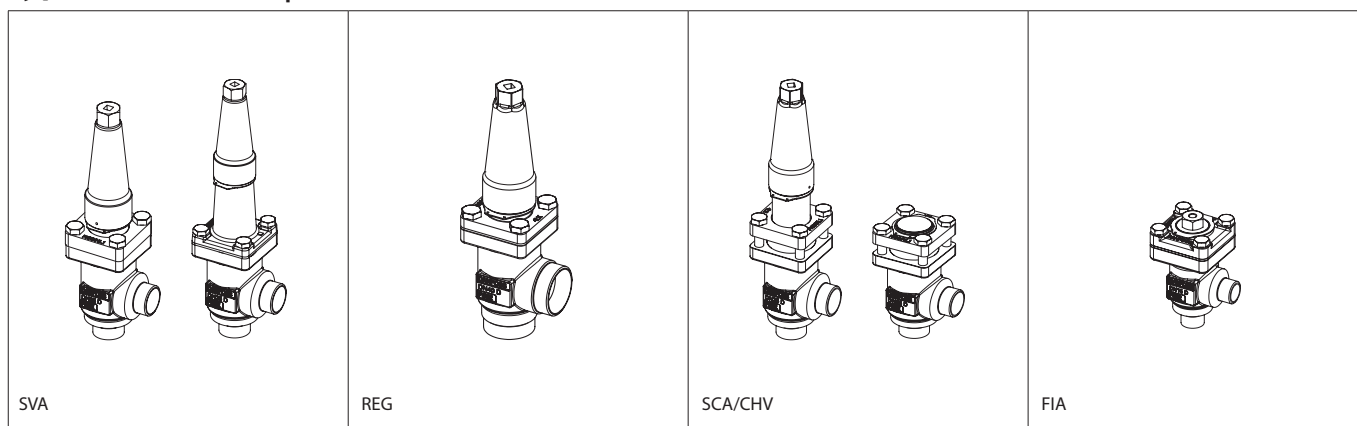
## Industrial Refrigeration

### Spare parts and accessories

Type	Page	Type	Page
<b>A</b>			
AKS 38.....	295	<b>Q</b>	
AKS 4100.....	296	QDV .....	280
AKVA.....	320	<b>R</b>	
<b>B</b>			
BV1 and BV 2 .....	309	REG .....	65
<b>C</b>			
CHV .....	3	REG-SA/SB.....	3
CHV-X.....	3	RT Pressure control .....	285
CVMD.....	284	<b>S</b>	
CVP, CVPP, CVC and CVT .....	281	SCA .....	3
<b>D</b>			
DSV 1.....	318	SCA-X .....	3
DSV 15 .....	316	SFA .....	315
DSV 2.....	319	SFV .....	315
DSV 32 .....	317	SNV .....	279
Danfoss Hand Tools .....	359	STC.....	277
<b>E</b>			
EVM (NC) and EVM (NO).....	131	SV 1 and 3.....	293
EVRA.....	131	SV 4, 5 and 6 .....	294
EVRAT .....	131	SVA-DH.....	275
EVRS .....	131	SVA-DL.....	276
EVRST .....	131	SVA-HS.....	3
<b>F</b>			
FA.....	304	SVA-LT .....	3
FIA.....	3	SVA-S/L.....	3
FIA inserts.....	303	SVA-ST.....	3
FIL.....	305	<b>T</b>	
Flanges, Gaskets, Bolts and Nuts .....	323	TEA.....	271
<b>G</b>			
GDA/GDC/GDHC/GDHF/GDH .....	314	TEAQ.....	271
GPLX.....	310	TEAT .....	271
GPS .....	312	TEVA .....	271
<b>H</b>			
HFI.....	292		
<b>I</b>			
ICF .....	298		
ICLX.....	67		
ICM/ICAD.....	67		
ICS.....	67		
ICV PM .....	270		
<b>K</b>			
KP Pressure control.....	287		
<b>L</b>			
LLG.....	297		
<b>M</b>			
MEV.....	163		
MP.....	287		
MRV .....	163		
<b>N</b>			
NRVA .....	308		
<b>O</b>			
OFV .....	283		
ORV .....	282		
<b>P</b>			
PM.....	163		
PMC .....	163		
PMFH.....	163		
PMFL.....	163		
PML.....	163		
PMLX .....	163		
POV .....	315		

## Data sheet – Spare parts and accessories

**Shut-off valve, type SVA-S/L, SVA-ST, SVA-LT, SVA-HS | Regulating valve, type REG, REG-SA/SB | Check & stop valve, type SCA, SCA-X | Strainer, type FIA | Check valve, type CHV, CHV-X | ICF 50/65 control modules**



Valve type	Size	See details on page #	Code no.
<b>Inspection kits</b>			
SVA-S/L, ST/LT - REG/SA, SB (Size 10 only)	6-10	4	<b>148B6050</b>
SVA-S/L, ST/LT, HS - REG/SA, SB - SCA/X - FIA - CHV/X	15-20	5-6	<b>148B6051</b>
SVA-S/L, ST/LT, HS - REG/SA, SB - SCA/X - FIA - CHV/X	25-40	7-8	<b>148B6052</b>
SVA-S/L, ST/LT, HS - REG/SA, SB - SCA/X - FIA - CHV/X	50	9-10	<b>148B6053</b>
SVA-S/L, ST/LT, HS - REG/SA, SB - SCA/X - FIA - CHV/X	65	11-12	<b>148B6054</b>
SVA-S/L, ST/LT, HS - SCA/X - FIA - CHV/X	80	13-14	<b>148B6055</b>
SVA-S/L, ST/LT, HS - SCA/X - FIA - CHV/X	100	15-16	<b>148B6056</b>
SVA-S/L, ST/LT, HS - SCA/X - FIA - CHV/X	125	17-18	<b>148B6057</b>
SVA-S/L, ST/LT, HS - FIA	150	19	<b>148B6058</b>
SVA-S/L, ST/LT, HS - FIA	200	20	<b>148B6059</b>

Valve type	Size	See details on page #	Code no.
<b>Repair kits</b>			
SVA-S/L, ST/LT - REG/SA, SB (Size 10 only)	6-10	21	<b>148B6060</b>
SVA-S/L, ST/LT, HS - REG/SA, SB - SCA/X	15-20	22-23	<b>148B6061</b>
SVA-S/L, ST/LT, HS - REG/SA, SB - SCA/X	25-40	24-25	<b>148B6062</b>
SVA-S/L, ST/LT, HS - REG/SA, SB - SCA/X	50	26-27	<b>148B6063</b>
SVA-S/L, ST/LT, HS - REG/SA, SB - SCA/X	65	28-29	<b>148B6064</b>
SVA-S/L, ST/LT, HS - SCA/X	80	30	<b>148B6065</b>
SVA-S/L, ST/LT, HS - SCA/X	100	31	<b>148B6066</b>
SVA-S/L, ST/LT, HS - SCA/X	125	32	<b>148B6067</b>
SVA-S/L, ST/LT, HS	150	33	<b>148B6068</b>
SVA-S/L, ST/LT, HS	200	34	<b>148B6473</b>

Valve type	Size	See details on page #	Code no.
<b>Overhaul kits</b>			
SVA-S/L, ST/LT	6-10	35	<b>148B6150</b>
SVA-S/L, ST/LT, HS	15-20	36	<b>148B6151</b>
SVA-S/L, ST/LT, HS	25-40	37	<b>148B6152</b>
SVA-S/L, ST/LT, HS	50	38	<b>148B6153</b>
SVA-S/L, ST/LT, HS	65	39	<b>148B6154</b>
SVA-S/L, ST/LT, HS	80	40	<b>148B6155</b>
SVA-S/L, ST/LT, HS	100	41	<b>148B6156</b>
SVA-S/L, ST/LT, HS	125	42	<b>148B6157</b>
SVA-S/L, ST/LT, HS	150	43	<b>148B6158</b>
SVA-S/L, ST/LT, HS	200	44	<b>148B6472</b>

All kits are also suitable for the stainless steel versions of the products.

For the Flexline™ products the alternative for the overhaul kit could be the standard top part from the parts programme. Please refer to the technical brochures of the individual Flexline™ products.

### Inspection kits:

Contain all gaskets, O-rings and aluminium rings belonging to indicated valve type and valve size. For detailed content, see specific pages.

### Repair kits:

Contain all gaskets, O-rings and aluminium rings belonging to indicated valve type and valve size along with a complete packing gland. For detailed content, see specific pages.

### Overhaul kits:

Contain all gaskets, O-rings and aluminium rings belonging to indicated valve type and valve size and, where applicable, complete packing gland and parts that could be damaged or worn out. For detailed content, see specific pages.

Valve type	Size	See details on page #	Code no.
<b>Overhaul kits</b>			
SCA / X	15-20	45	<b>148B6160</b>
SCA / X	25-40	46	<b>148B6161</b>
SCA / X	50	47	<b>148B6162</b>
SCA / X	65	48	<b>148B6163</b>
SCA / X	80	49	<b>148B6164</b>
SCA / X	100	50	<b>148B6165</b>
SCA / X	125	51	<b>148B6166</b>
CHV / X	15-20	52	<b>148B6167</b>
CHV / X	25-40	53	<b>148B6168</b>
CHV / X	50	54	<b>148B6169</b>
CHV / X	65	55	<b>148B6170</b>
CHV / X	80	56	<b>148B6171</b>
CHV / X	100	57	<b>148B6172</b>
CHV / X	125	58	<b>148B6173</b>
REG-SA/SB	10	59	<b>148B6174</b>
REG-SA/SB	15-20	60	<b>148B6175</b>
REG-SA/SB	25-40	61	<b>148B6176</b>
REG-SA/SB	50	62	<b>148B6177</b>
REG-SA/SB	65	63	<b>148B6178</b>

### Accessories

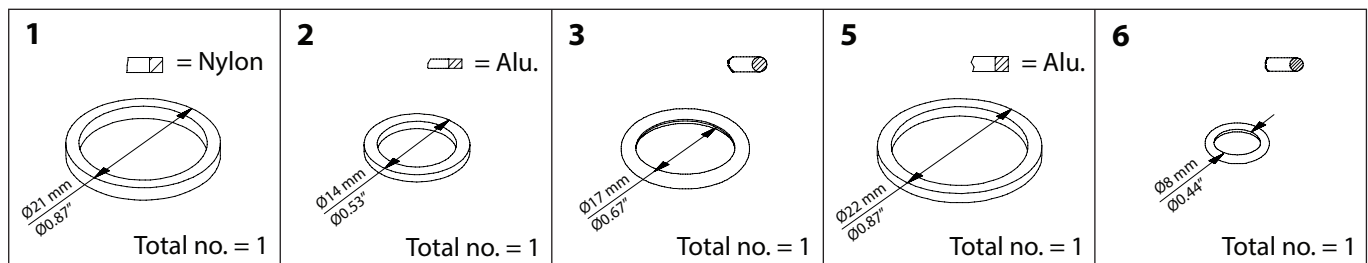
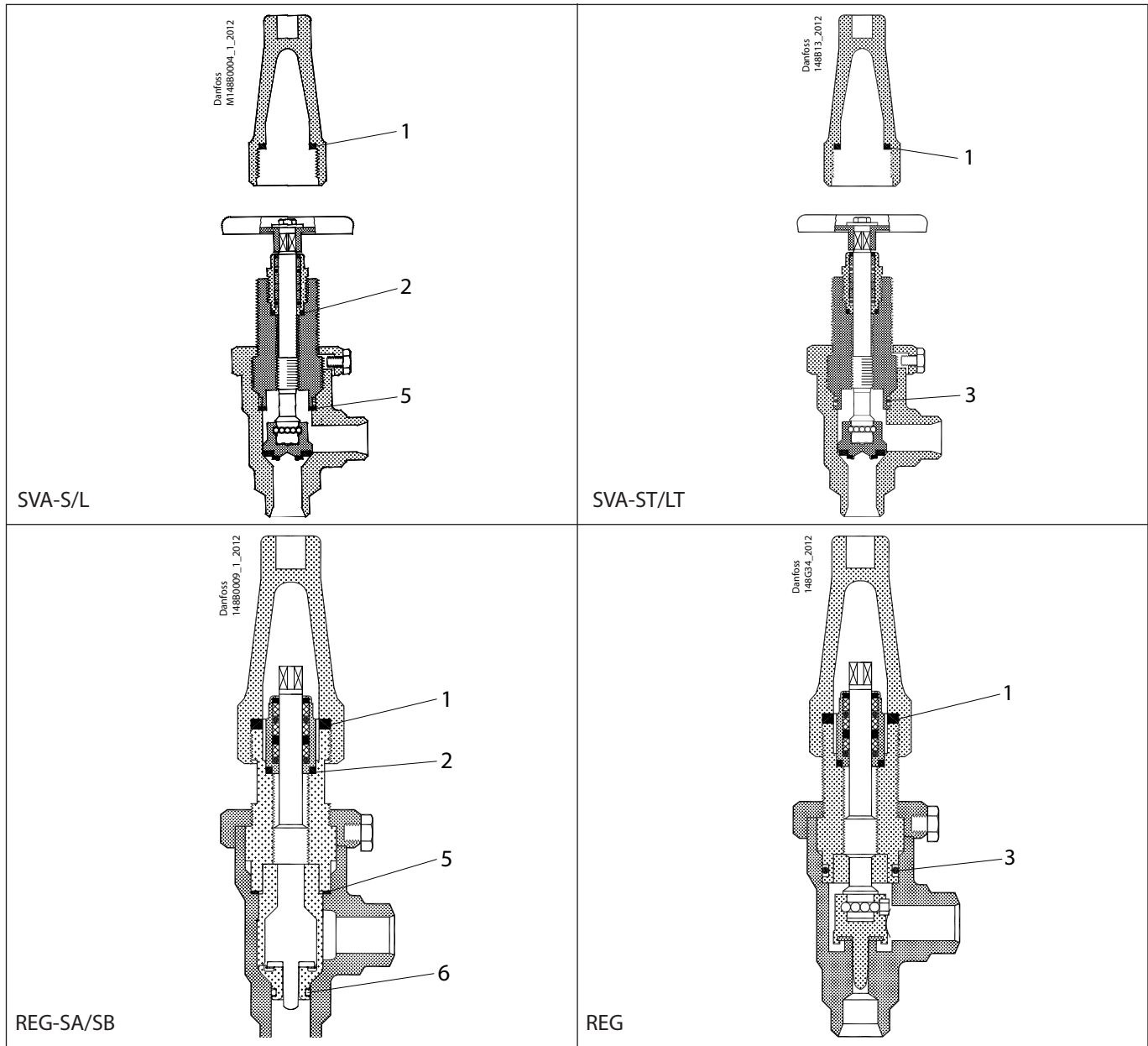
Cap incl. gasket Hand wheel incl. nut and washer Spring for stop/check and check valves Gasket for housing/top cover Grease for packing gland		64	
---	--	----	--

For REG valves with the previous cone design please refer to the spare part sheets DKRCI.PY.KM0.A and DKRCI.PY.KM0.D.



Data sheet – Spare parts and accessories

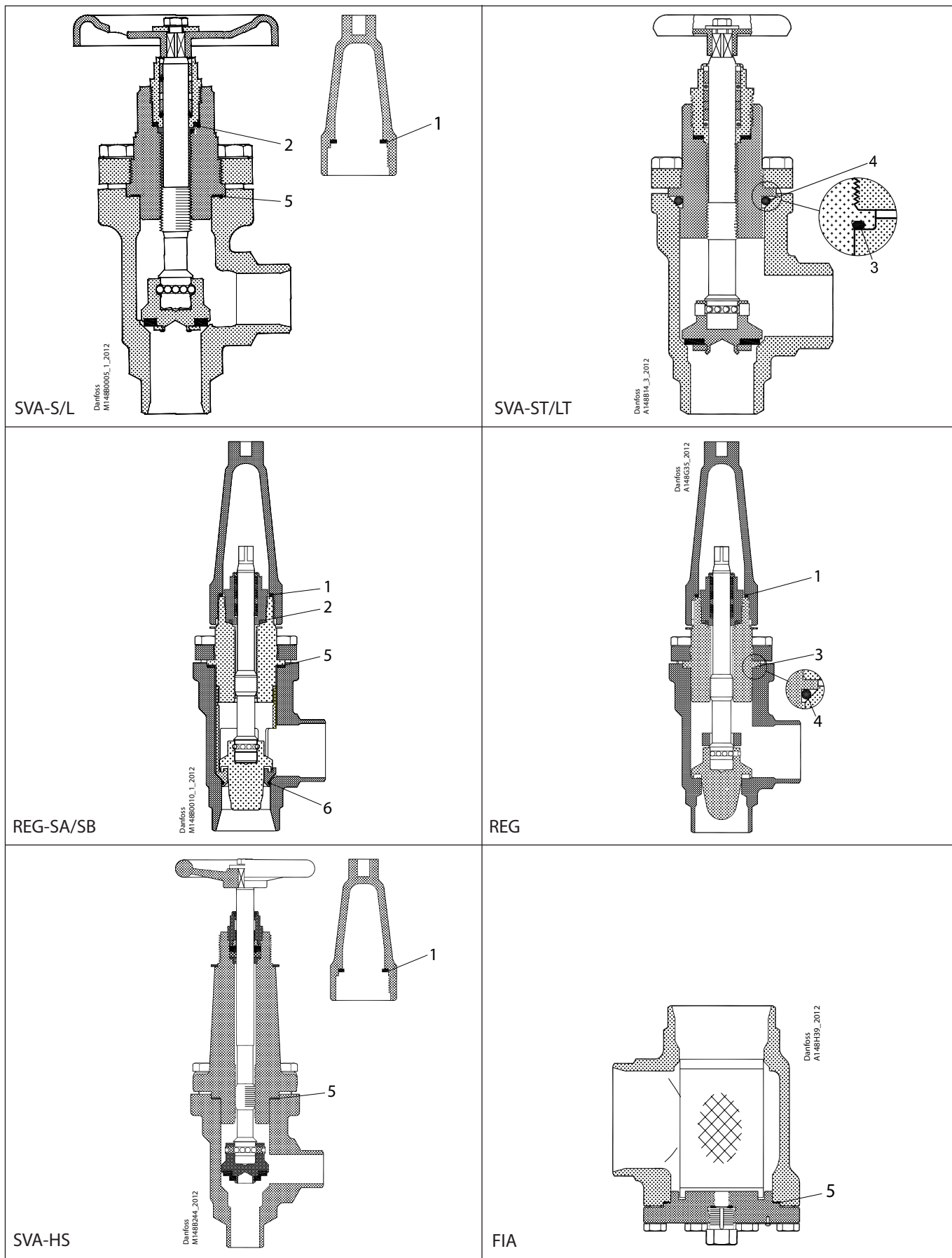
**Inspection kit | Code number 148B6050**  
**SVA-S/L, SVA-ST/LT sizes 6 to 10, REG-SA/SB, REG size 10**



Data sheet – Spare parts and accessories

Inspection kit | Code number 148B6051

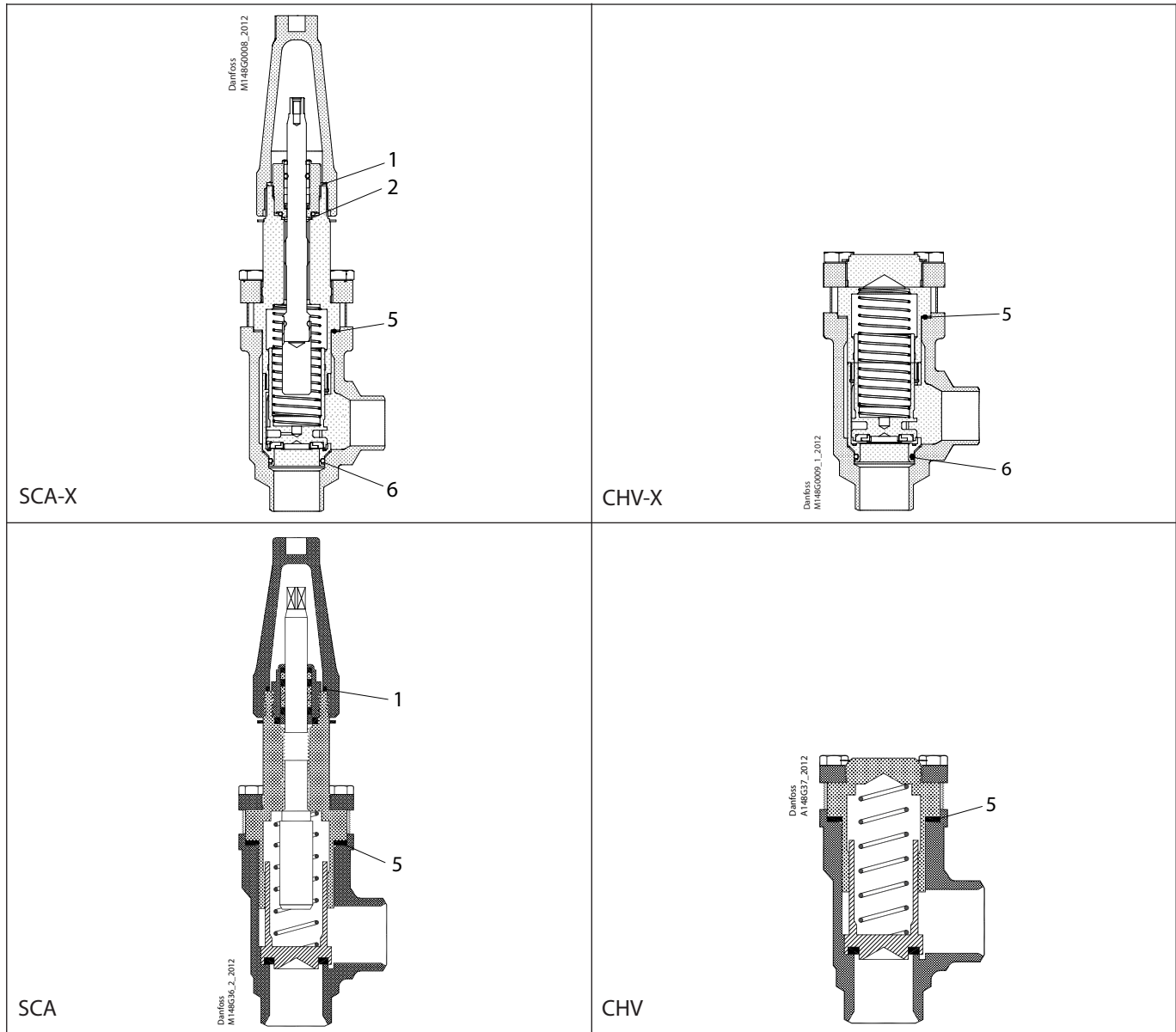
SVA-S/L, SVA-ST/LT, REG-SA/SB, REG, SVA-HS, SCA/X, FIA, CHV/X sizes 15 - 20



Data sheet – Spare parts and accessories

Inspection kit | Code number 148B6051

SVA-S/L, SVA-ST/LT, REG-SA/SB, REG, SVA-HS, SCA/X, FIA, CHV/X sizes 15 - 20



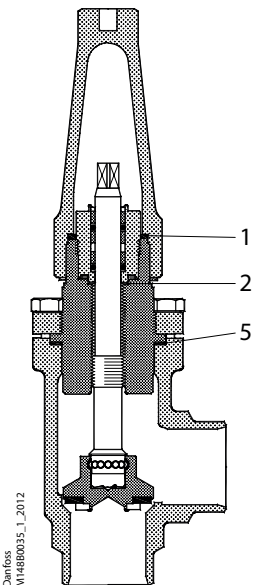
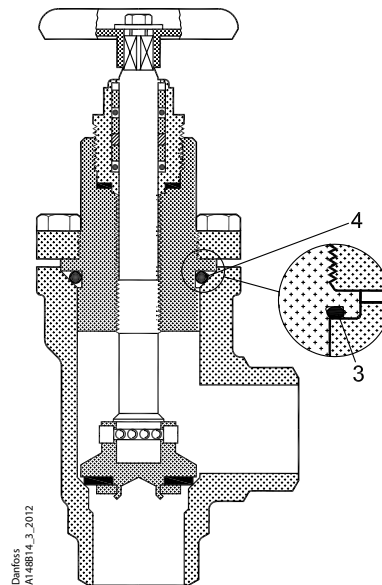
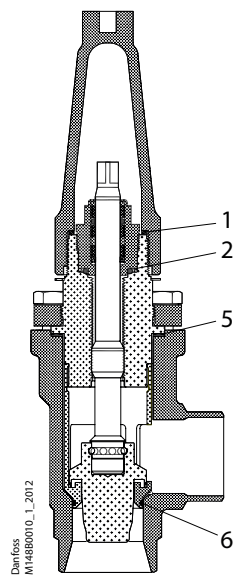
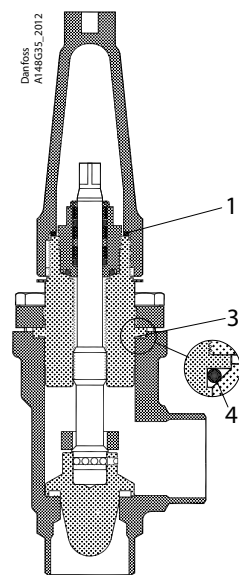
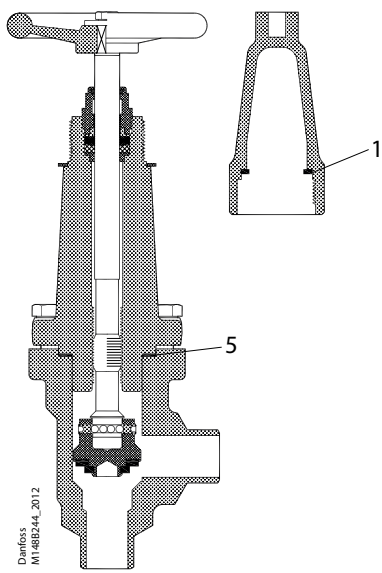
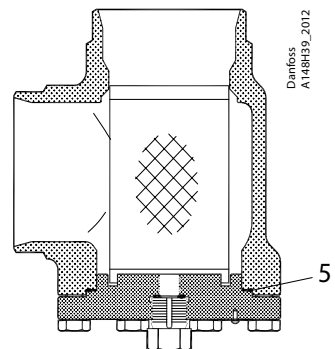
<p><b>1</b></p> <p> = Nylon</p> <p>Total no. = 1</p>	<p><b>2</b></p> <p> = Alu.</p> <p>Total no. = 1</p>	<p><b>3</b></p> <p>Total no. = 1</p>	<p><b>4</b></p> <p>Total no. = 1</p>	<p><b>5</b></p> <p> = Fibre</p> <p>Total no. = 1</p>
<p><b>6</b></p> <p>Total no. = 1</p>				



Data sheet – Spare parts and accessories

Inspection kit | Code number 148B6052

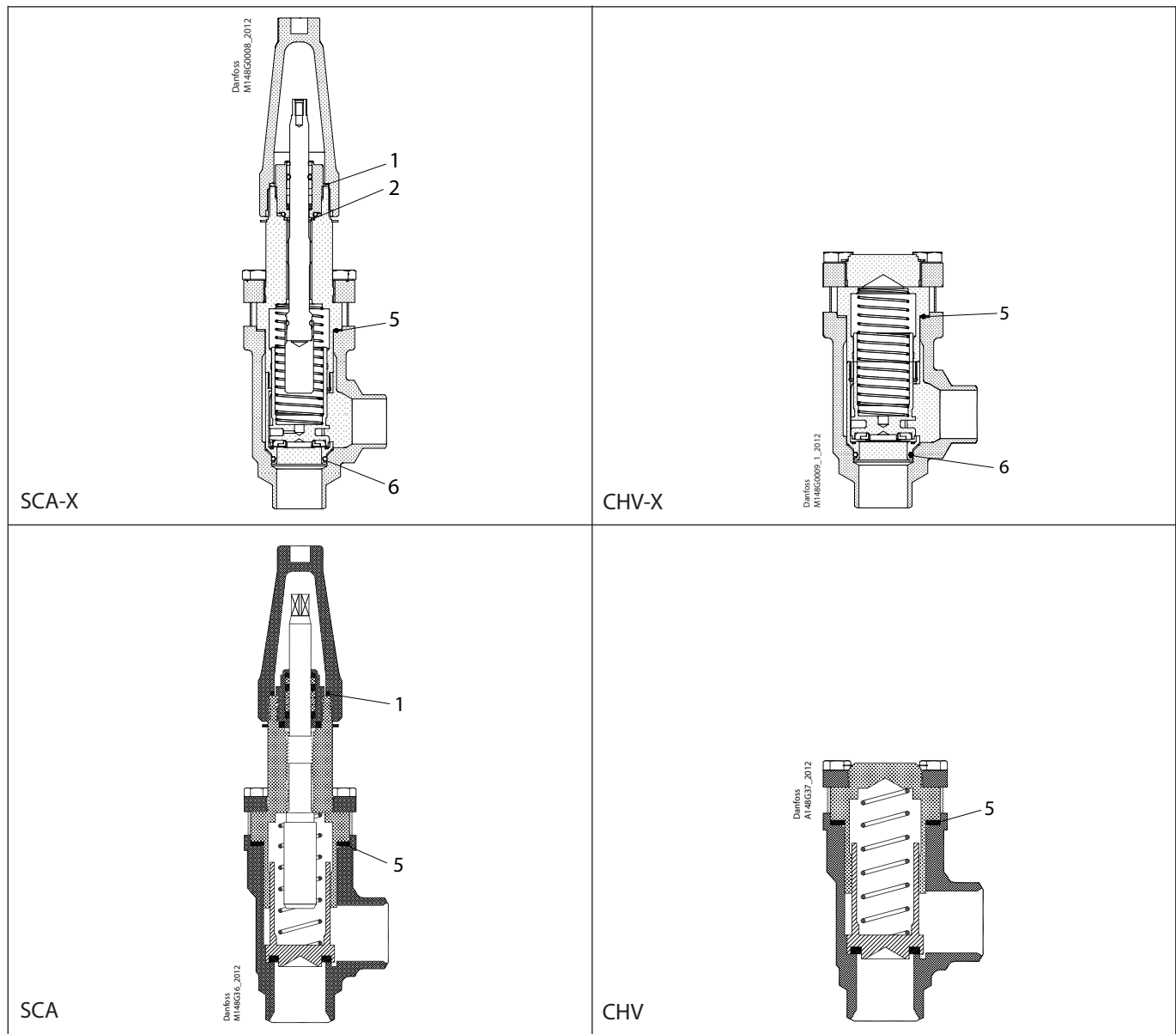
SVA-S/L, SVA-ST/LT, REG-SA/SB, REG, SVA-HS, SCA/X, FIA, CHV/X sizes 25-40

 <p>SVA-S/L</p>	 <p>SVA-ST/LT</p>
 <p>REG-SA/SB</p>	 <p>REG</p>
 <p>SVA-HS</p>	 <p>FIA</p>

Data sheet – Spare parts and accessories

Inspection kit | Code number 148B6052

SVA-S/L, SVA-ST/LT, REG-SA/SB, REG, SVA-HS, SCA/X, FIA, CHV/X sizes 25-40

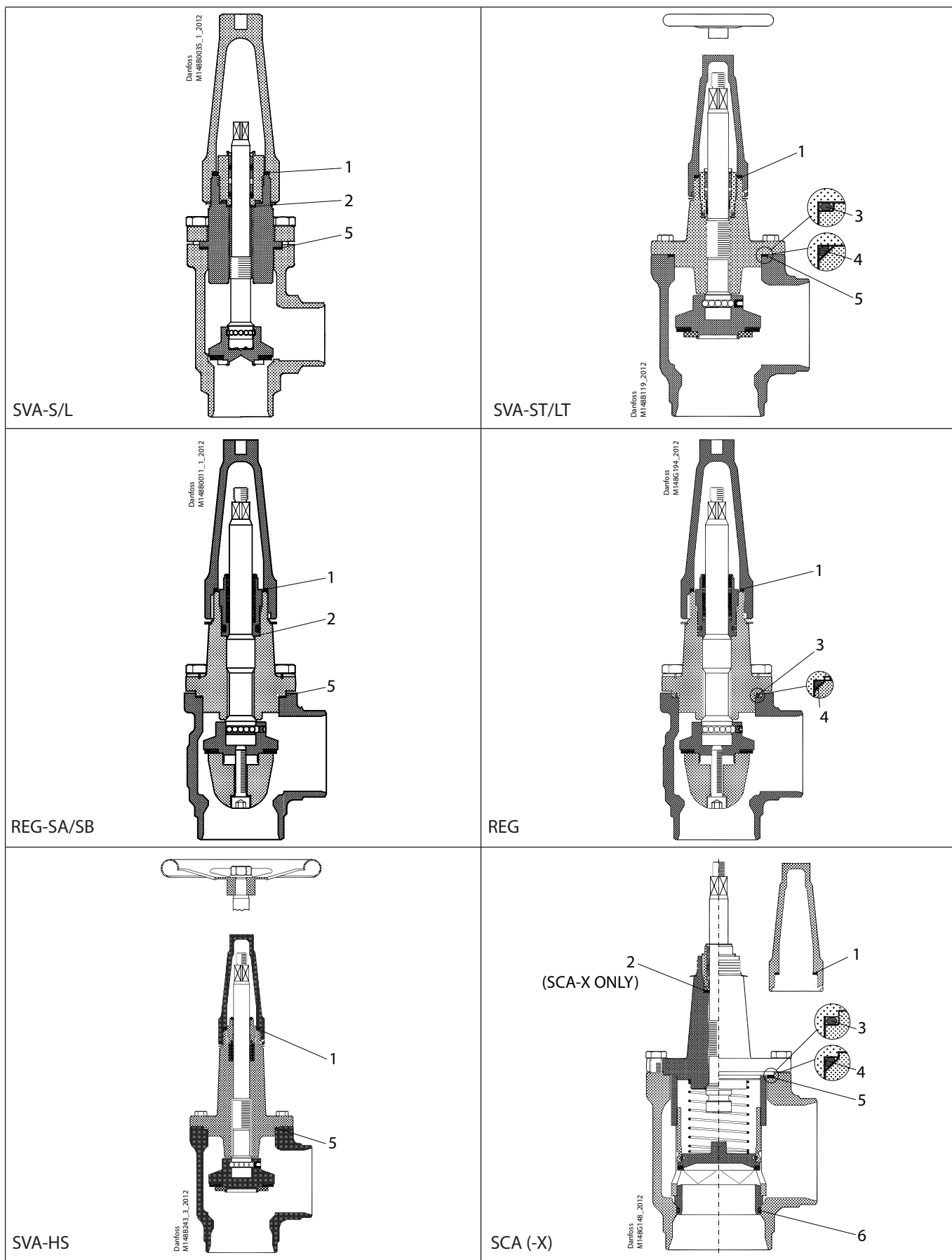


<p><b>1</b></p> <p> = Nylon</p> <p>Total no. = 1</p>	<p><b>2</b></p> <p> = Alu.</p> <p>Total no. = 1</p>	<p><b>3</b></p> <p>Total no. = 1</p>	<p><b>4</b></p> <p>Total no. = 1</p>	<p><b>5</b></p> <p> = Fibre</p> <p>Total no. = 1</p>
<p><b>6</b></p> <p>Total no. = 1</p>				

Data sheet – Spare parts and accessories

Inspection kit | Code number 148B6053

SVA-S/L, SVA-ST/LT, REG-SA/SB, REG, SVA-HS, SCA/X, FIA, CHV/X size 50

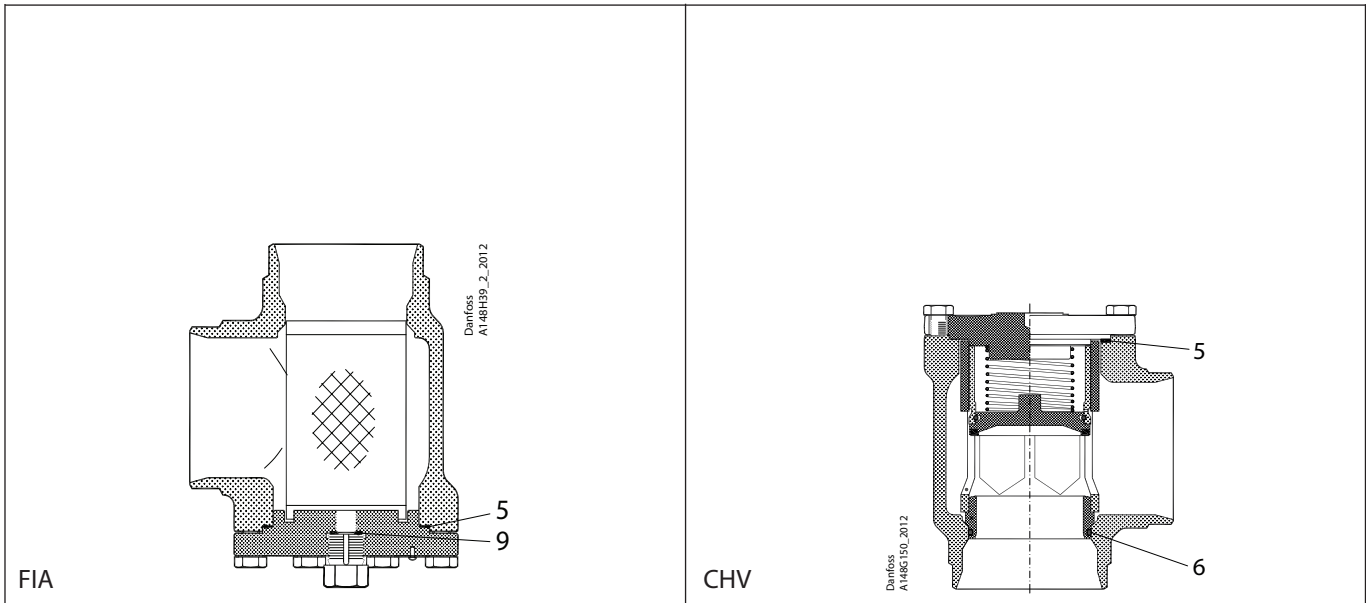




Data sheet – Spare parts and accessories

Inspection kit | Code number 148B6053

SVA-S/L, SVA-ST/LT, REG-SA/SB, REG, SVA-HS, SCA/X, FIA, CHV/X size 50

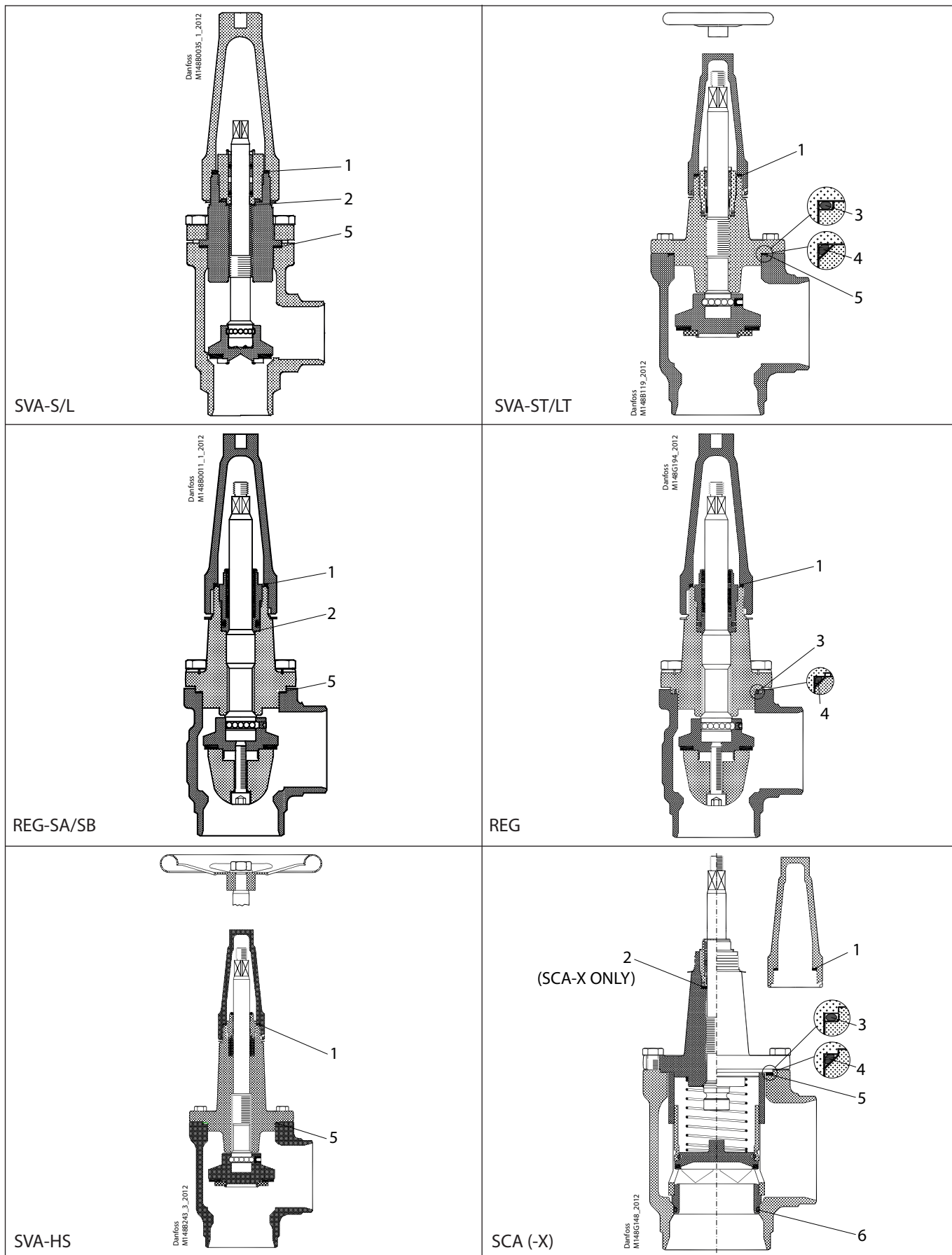


<p><b>1</b></p> <p> = Nylon</p> <p>Total no. = 1</p>	<p><b>2</b></p> <p> = Alu.</p> <p>Total no. = 1</p>	<p><b>3</b></p> <p>Total no. = 1</p>	<p><b>4</b></p> <p>Total no. = 1</p>	<p><b>5</b></p> <p> = Fibre</p> <p>Total no. = 1</p>
<p><b>6</b></p> <p>Total no. = 1</p>	<p><b>9</b></p> <p> = Alu.</p> <p>Total no. = 1</p>			

Data sheet – Spare parts and accessories

Inspection kit | Code number 148B6054

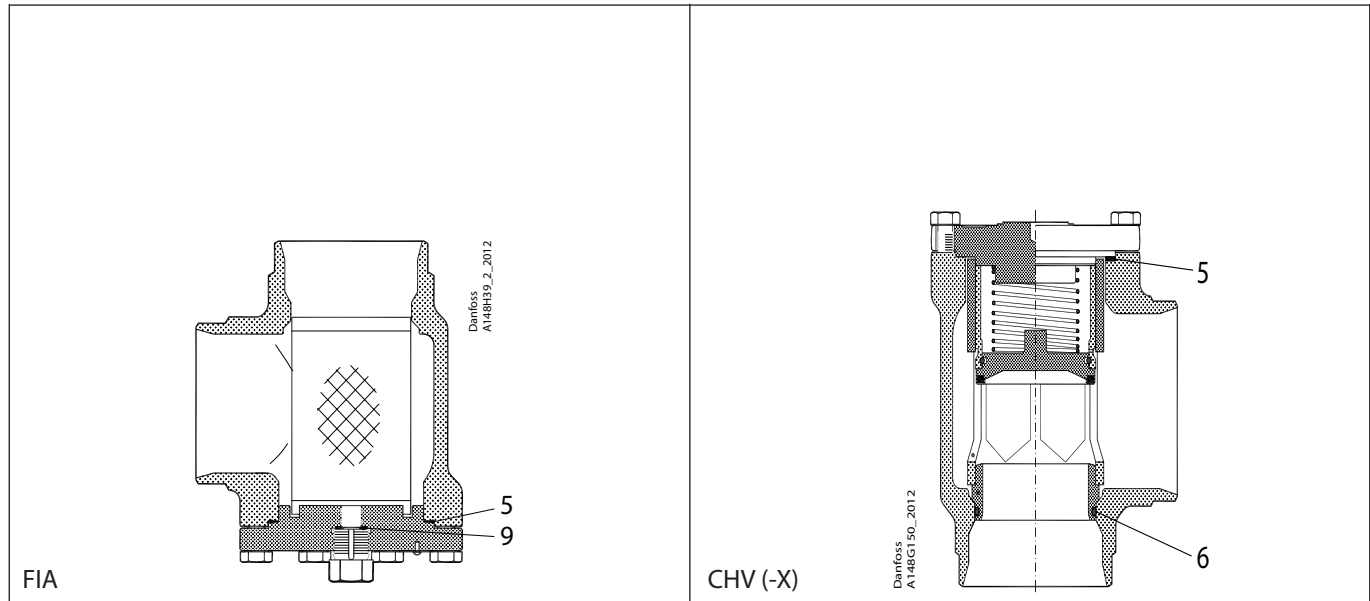
SVA-S/L, SVA-ST/LT, REG-SA/SB, REG, SVA-HS, SCA/X, FIA, CHV/X size 65



Data sheet – Spare parts and accessories

Inspection kit | Code number 148B6054

SVA-S/L, SVA-ST/LT, REG-SA/SB, REG, SVA-HS, SCA/X, FIA, CHV/X size 65

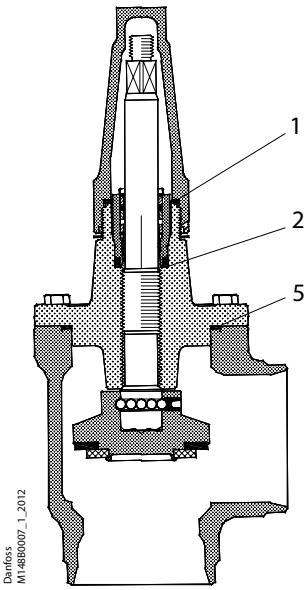
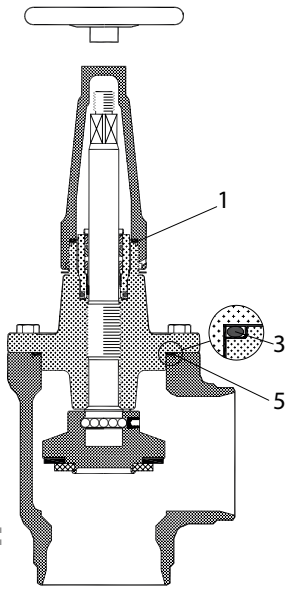
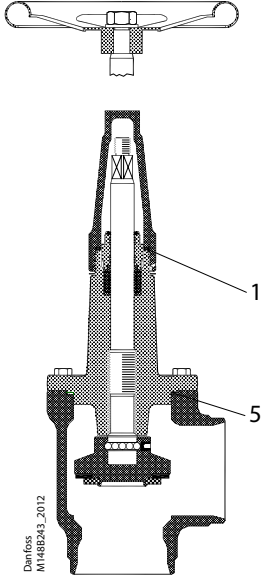
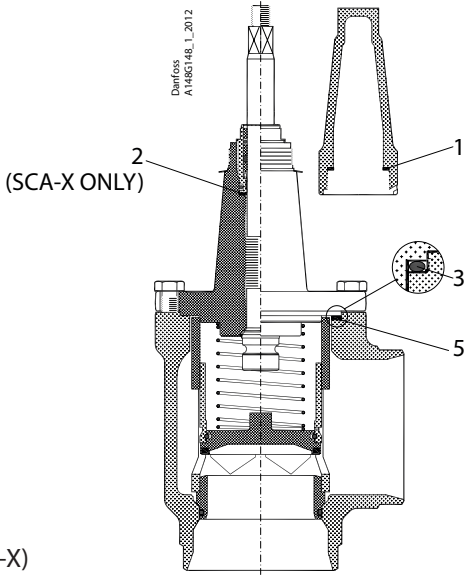
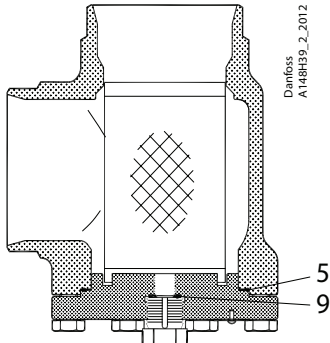
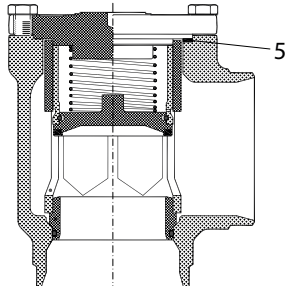


<p><b>1</b></p> <p> = Nylon</p> <p>Ø37 mm Ø1.46"</p> <p>Total no. = 1</p>	<p><b>2</b></p> <p> = Alu.</p> <p>Ø26.5 mm Ø1.04"</p> <p>Total no. = 1</p>	<p><b>3</b></p> <p>Ø63 mm Ø2.48"</p> <p>Total no. = 1</p>	<p><b>4</b></p> <p>Ø57 mm Ø2.23"</p> <p>Total no. = 1</p>	<p><b>5</b></p> <p> = Fibre</p> <p>Ø75 mm Ø2.95"</p> <p>Total no. = 1</p>
<p><b>6</b></p> <p>Ø50 mm Ø1.98"</p> <p>Total no. = 1</p>	<p><b>9</b></p> <p> = Alu.</p> <p>Ø18 mm Ø0.71"</p> <p>Total no. = 1</p>			



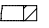
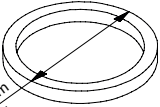
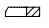
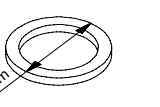

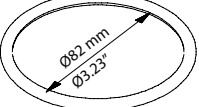
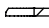
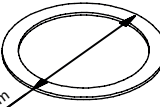
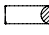
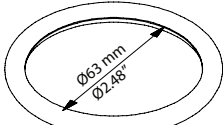
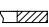
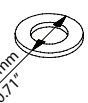
Data sheet – Spare parts and accessories

Inspection kit | Code number 148B6055  
 SVA-S/L, SVA-ST/LT, SVA-HS, SCA/X, FIA, CHV/X size 80

 <p>SVA-S/L</p>	 <p>SVA-ST/LT</p>
 <p>SVA-HS</p>	 <p>SCA (-X)</p>
 <p>FIA</p>	 <p>CHV</p>

Data sheet – Spare parts and accessories

Inspection kit | Code number 148B6055  
 SVA-S/L, SVA-ST/LT, SVA-HS, SCA/X, FIA, CHV/X size 80

<p><b>1</b></p> <p> = Nylon</p>  <p>Total no. = 1</p>	<p><b>2</b></p> <p> = Alu.</p>  <p>Total no. = 1</p>	<p><b>3</b></p> <p></p>  <p>Total no. = 1</p>	<p><b>5</b></p> <p> = Fibre</p>  <p>Total no. = 1</p>	<p><b>6</b></p> <p></p>  <p>Total no. = 1</p>
<p><b>9</b></p> <p> = Alu.</p>  <p>Total no. = 1</p>				

Data sheet – Spare parts and accessories

Inspection kit | Code number 148B6056

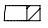
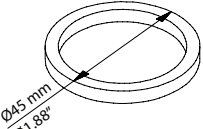
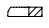
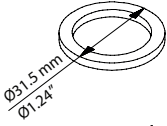

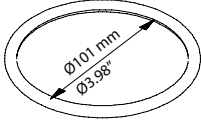
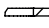
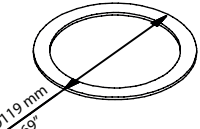
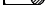
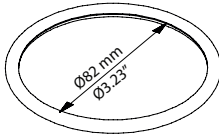
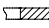
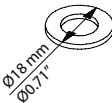
SVA-S/L, SVA-ST/LT, SVA-HS, SCA/X, FIA, CHV/X size 100

<p>SVA-S/L</p>	<p>SVA-ST/LT</p>
<p>SVA-HS</p>	<p>SCA (-X)</p>
<p>FIA</p>	<p>CHV (-X)</p>

Data sheet – Spare parts and accessories

Inspection kit | Code number 148B6056

SVA-S/L, SVA-ST/LT, SVA-HS, SCA/X, FIA, CHV/X size 100

<p><b>1</b></p> <p> = Nylon</p>  <p>Total no. = 1</p>	<p><b>2</b></p> <p> = Alu.</p>  <p>Total no. = 1</p>	<p><b>3</b></p> <p> = Fibre</p>  <p>Total no. = 1</p>	<p><b>5</b></p> <p> = Nylon</p>  <p>Total no. = 1</p>	<p><b>6</b></p> <p> = Alu.</p>  <p>Total no. = 1</p>
<p><b>9</b></p> <p> = Alu.</p>  <p>Total no. = 1</p>				

Data sheet – Spare parts and accessories

Inspection kit | Code number 148B6057

SVA-S/L, SVA-ST/LT, SVA-HS, SCA/X, FIA, CHV/X size 125

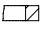
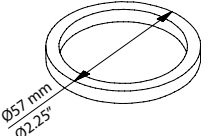
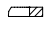
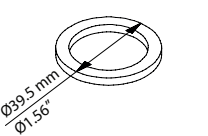
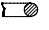
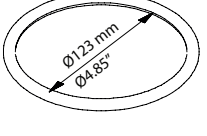
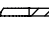
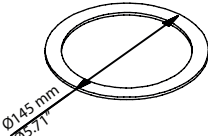
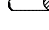
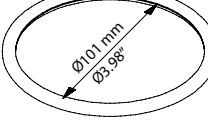
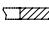
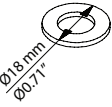
<p>Danfoss M148B6007_1_2012</p> <p>SVA-S/L</p>	<p>Danfoss 148B119_1_2012</p> <p>SVA-ST/LT</p>
<p>Danfoss M148B243_2012</p> <p>SVA-HS</p>	<p>Danfoss A148G148_2_2012</p> <p>(SCA-X ONLY)</p> <p>SCA (-X)</p>
<p>Danfoss A148H39_2_2012</p> <p>FIA</p>	<p>Danfoss A148G150_2012</p> <p>CHV (-X)</p>



Data sheet – Spare parts and accessories

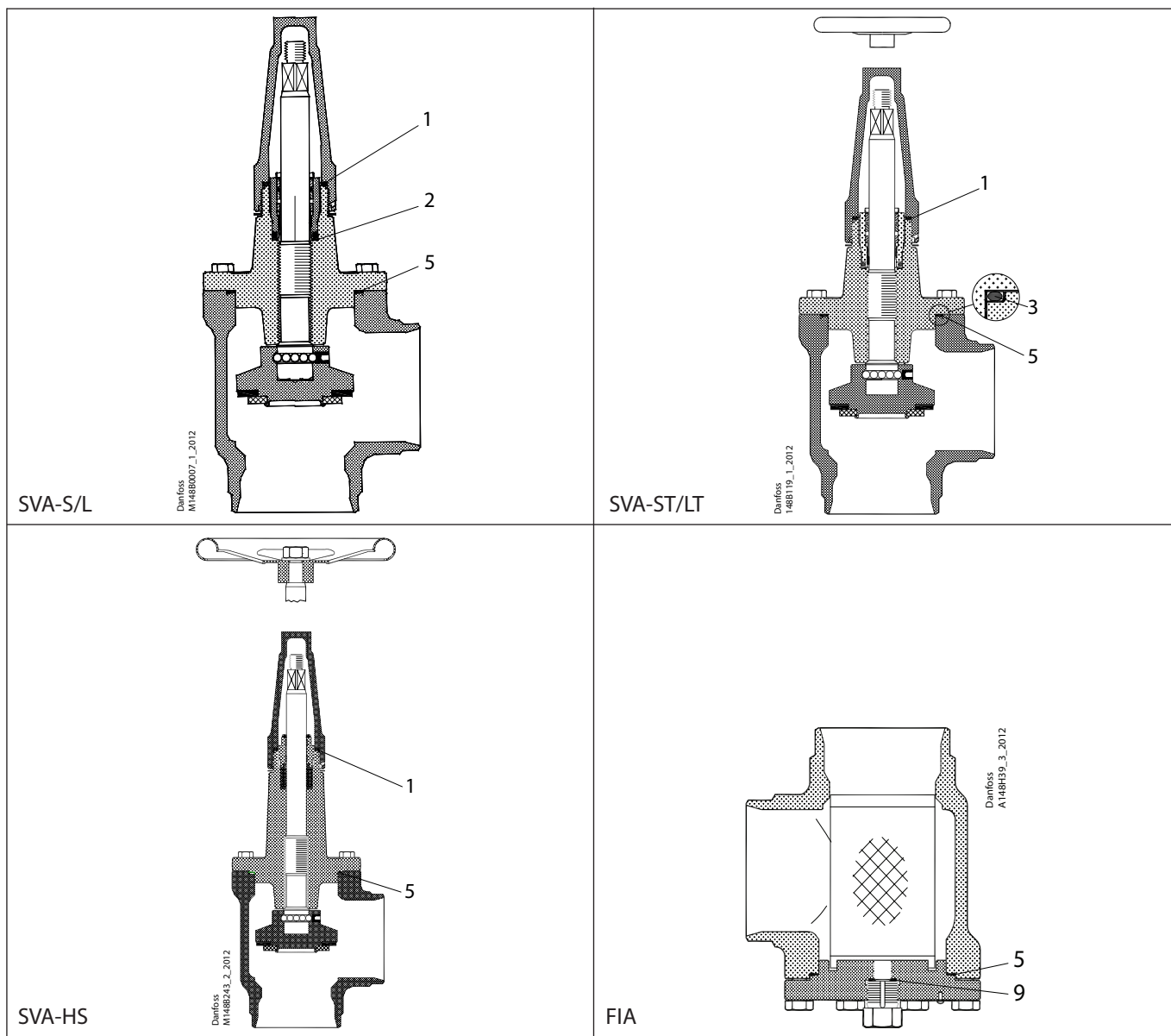
Inspection kit | Code number 148B6057

SVA-S/L, SVA-ST/LT, SVA-HS, SCA/X, FIA, CHV/X size 125

<p><b>1</b></p> <p> = Nylon</p>  <p>Total no. = 1</p>	<p><b>2</b></p> <p> = Alu.</p>  <p>Total no. = 1</p>	<p><b>3</b></p> <p> = Alu.</p>  <p>Total no. = 1</p>	<p><b>5</b></p> <p> = Fibre</p>  <p>Total no. = 1</p>	<p><b>6</b></p> <p> = Alu.</p>  <p>Total no. = 1</p>
<p><b>9</b></p> <p> = Alu.</p>  <p>Total no. = 1</p>				

Data sheet – Spare parts and accessories

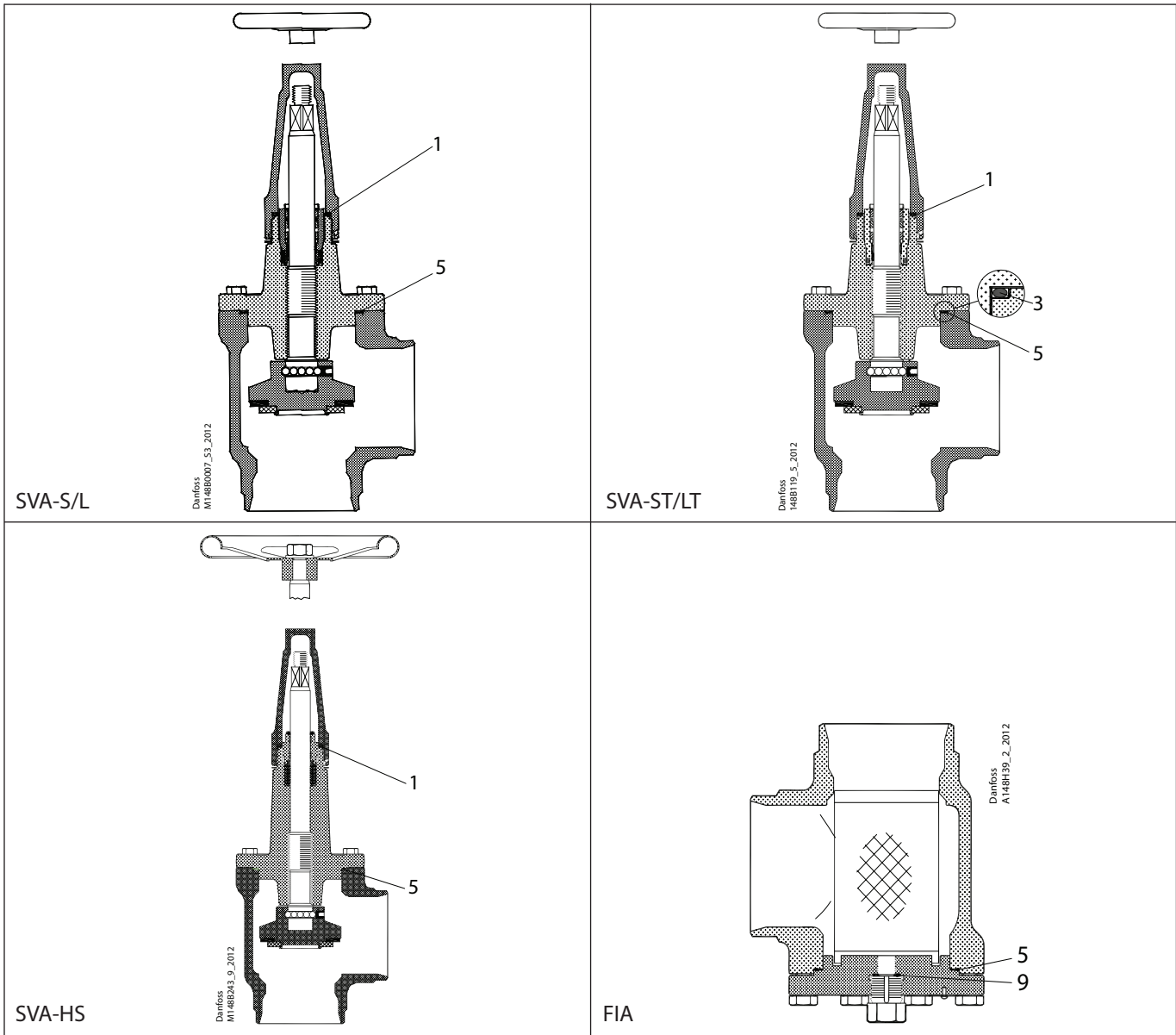
Inspection kit | Code number 148B6058  
SVA-S/L, SVA-ST/LT, SVA-HS, FIA size 150



<p><b>1</b></p> <p> = Nylon</p> <p>Total no. = 1</p>	<p><b>2</b></p> <p> = Alu.</p> <p>Total no. = 1</p>	<p><b>3</b></p> <p>Total no. = 1</p>	<p><b>5</b></p> <p> = Fibre</p> <p>Total no. = 1</p>	<p><b>9</b></p> <p> = Alu.</p> <p>Total no. = 1</p>
--	---	--------------------------------------	--	---

Data sheet – Spare parts and accessories

Inspection kit | Code number 148B6059  
SVA-S/L, SVA-ST/LT, SVA-HS, FIA size 200

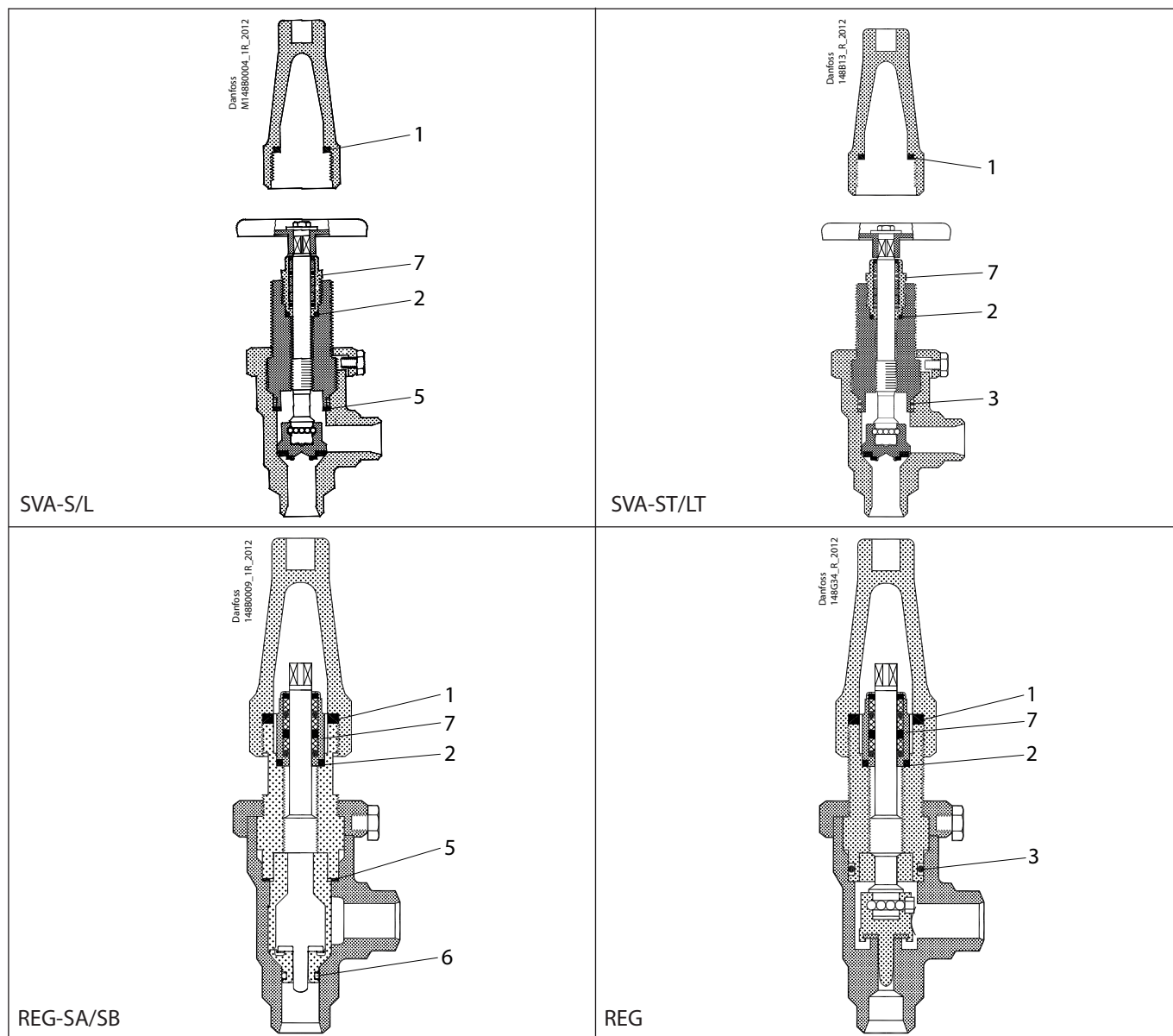


<p><b>1</b></p> <p> = Nylon</p> <p>Total no. = 1</p>	<p><b>3</b></p> <p>Total no. = 1</p>	<p><b>5</b></p> <p> = Fibre</p> <p>Total no. = 1</p>	<p><b>9</b></p> <p> = Alu.</p> <p>Total no. = 1</p>	
--	--------------------------------------	--	---	--

Data sheet – Spare parts and accessories

Repair kit | Code number 148B6060

SVA-S/L, SVA-ST/LT sizes 6 to 10, REG-SA/SB, REG size 10



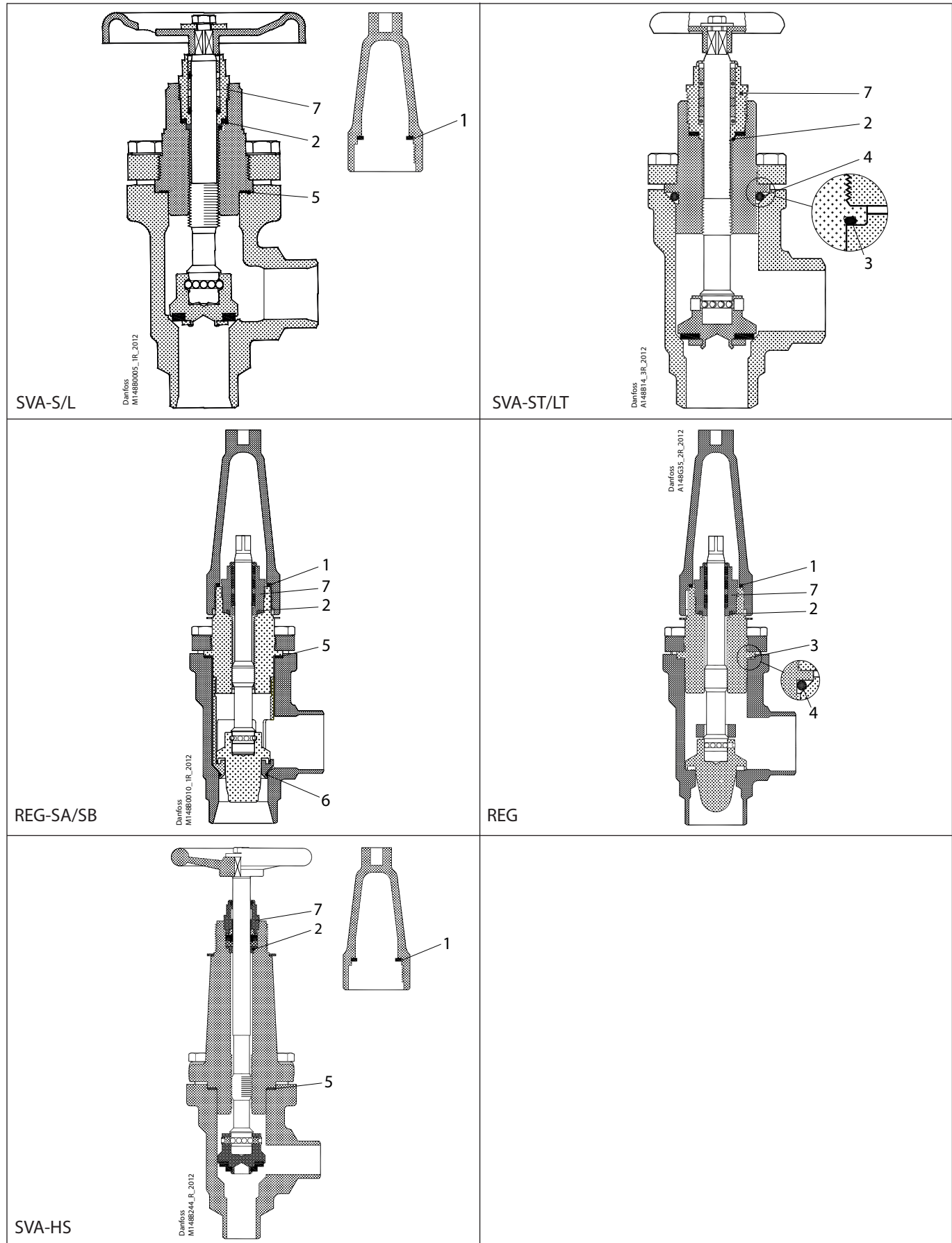
<p><b>1</b></p> <p> = Nylon</p> <p>Total no. = 1</p>	<p><b>2</b></p> <p> = Alu.</p> <p>Total no. = 1</p>	<p><b>3</b></p> <p>Total no. = 1</p>	<p><b>5</b></p> <p> = Alu.</p> <p>Total no. = 1</p>	<p><b>6</b></p> <p>Total no. = 1</p>
<p><b>7</b></p> <p>Total no. = 1</p>				

**NOTE:** When replacing the packing gland (pos. 7) in SVA-ST, SVA-S/L, SVA-HS or REG the aluminium gasket (pos. 2) is needed.

Data sheet – Spare parts and accessories

Repair kit | Code number 148B6061

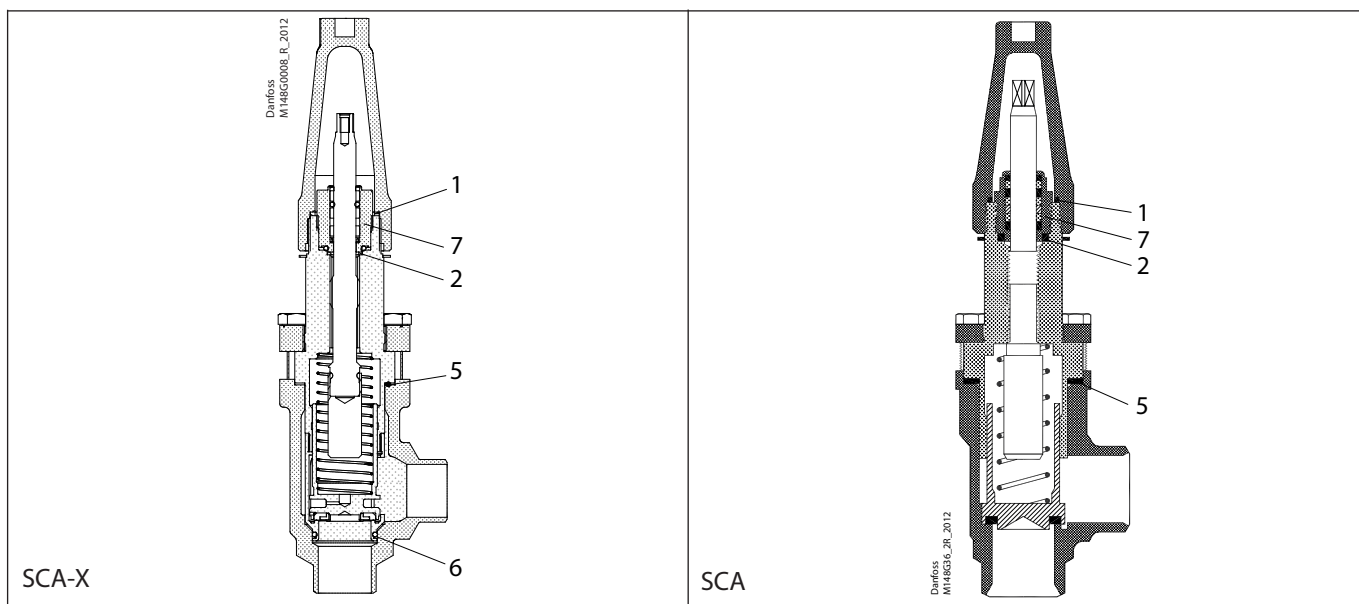
SVA-S/L, SVA-ST/LT, REG-SA/SB, REG, SVA-HS, SCA/X sizes 15 - 20



Data sheet – Spare parts and accessories

Repair kit | Code number 148B6061

SVA-S/L, SVA-ST/LT, REG-SA/SB, REG, SVA-HS, SCA/X sizes 15 - 20



<p><b>1</b></p> <p> = Nylon</p> <p>Total no. = 1</p>	<p><b>2</b></p> <p> = Alu.</p> <p>Total no. = 1</p>	<p><b>3</b></p> <p>Total no. = 1</p>	<p><b>4</b></p> <p>Total no. = 1</p>	<p><b>5</b></p> <p> = Fibre</p> <p>Total no. = 1</p>
<p><b>6</b></p> <p>Total no. = 1</p>	<p><b>7</b></p> <p>Total no. = 1</p>			

**NOTE:**

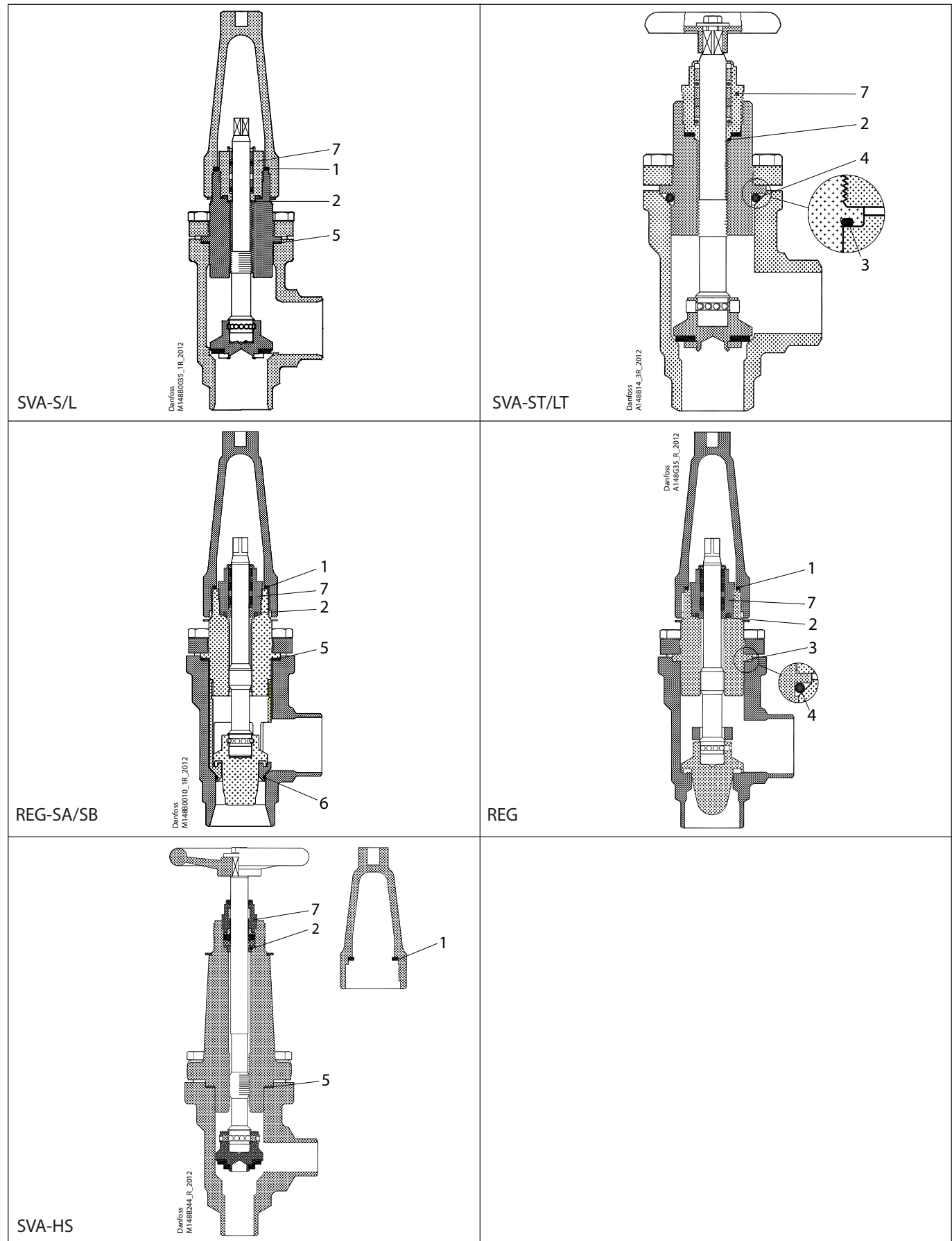
When replacing the packing gland (pos. 7) in SVA-ST, SVA-S/L, SVA-HS, REG-SA/SB, REG, SCA or SCA-X the aluminium gasket (pos. 2) is needed.



Data sheet – Spare parts and accessories

Repair kit | Code number 148B6062

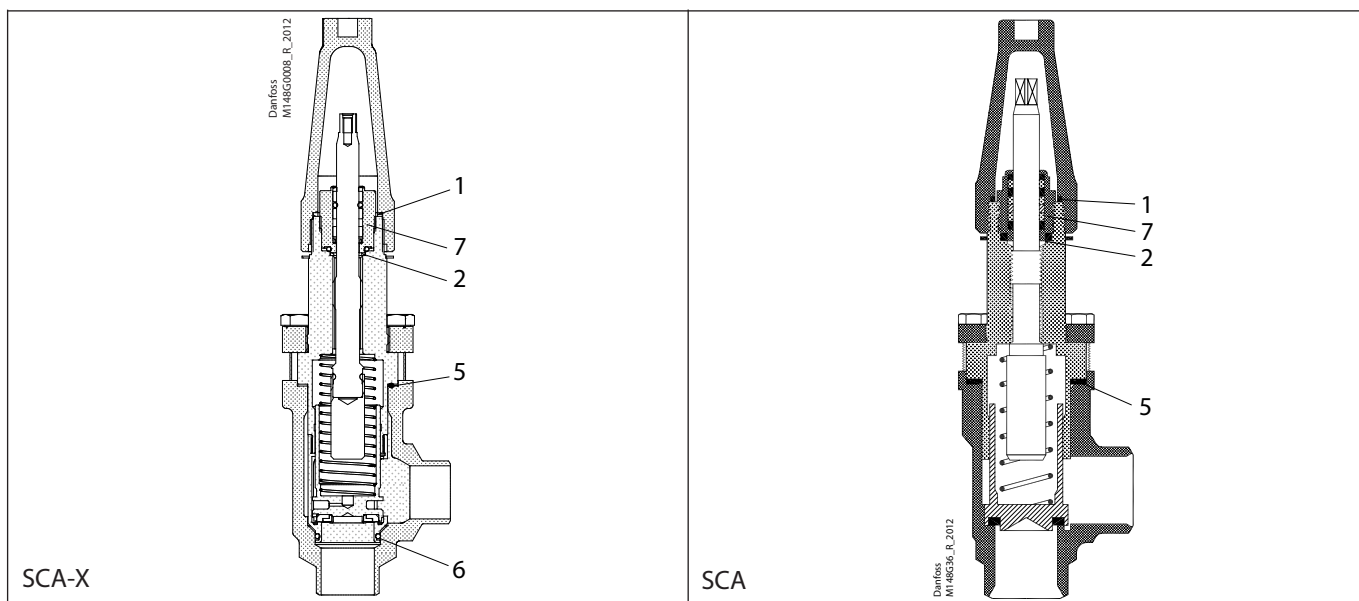
SVA-S/L, SVA-ST/LT, REG-SA/SB, REG, SVA-HS, SCA/X sizes 25-40



Data sheet – Spare parts and accessories

Repair kit | Code number 148B6062

SVA-S/L, SVA-ST/LT, REG-SA/SB, REG, SVA-HS, SCA/X sizes 25-40



<p><b>1</b></p> <p> = Nylon</p> <p>Total no. = 1</p>	<p><b>2</b></p> <p> = Alu.</p> <p>Total no. = 1</p>	<p><b>3</b></p> <p>Total no. = 1</p>	<p><b>4</b></p> <p>Total no. = 1</p>	<p><b>5</b></p> <p> = Fibre</p> <p>Total no. = 1</p>
<p><b>6</b></p> <p>Total no. = 1</p>	<p><b>7</b></p> <p>Total no. = 1</p>	<p><b>8*</b></p> <p>Total no. = 1</p>		

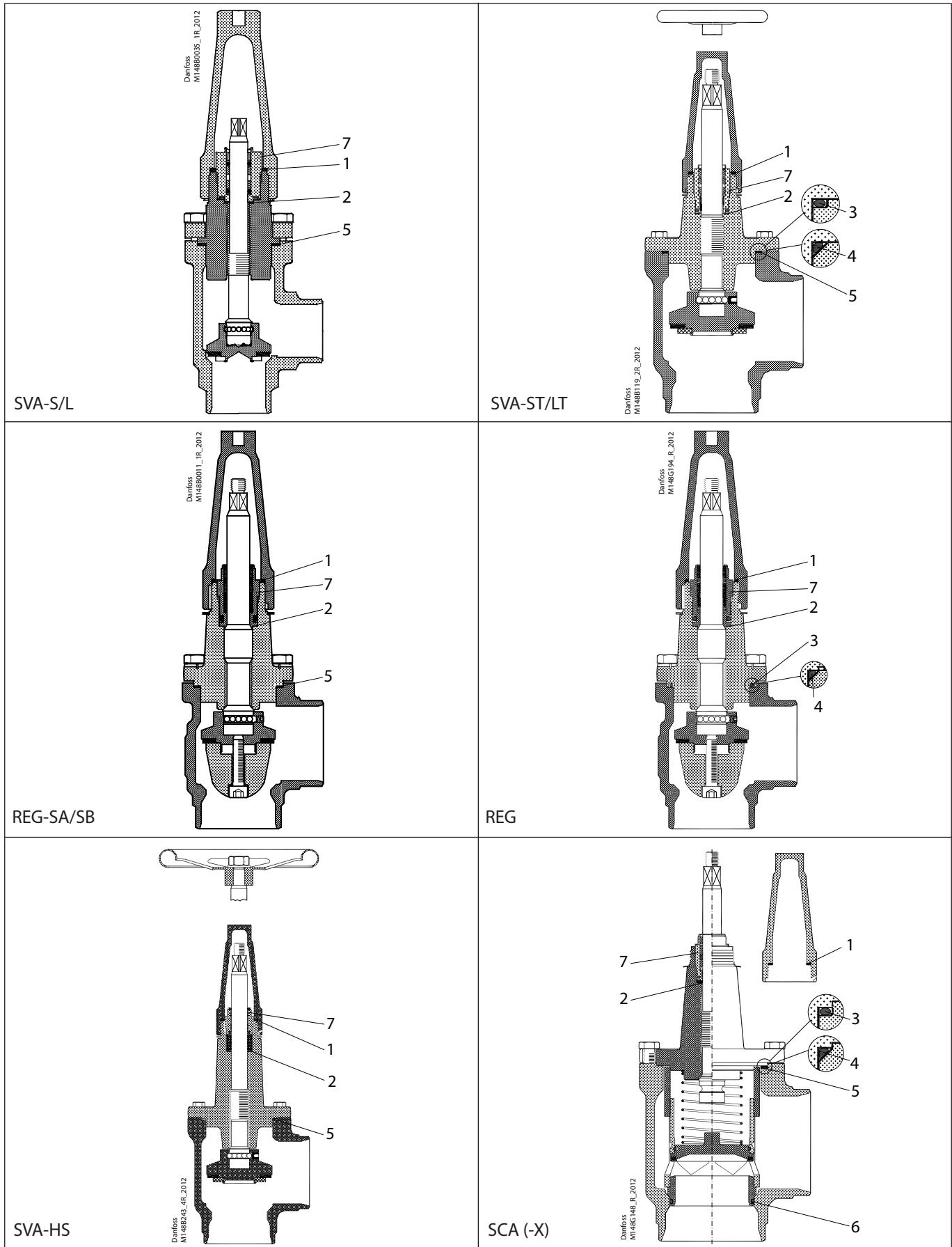
**NOTE:**

When replacing the packing gland (pos. 7) in SVA-ST, SVA-S/L, SVA-HS, REG, REG-SA/SB, SCA or SCA-X the aluminium gasket (pos. 2) is needed.

Data sheet – Spare parts and accessories

Repair kit | Code number 148B6063

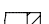
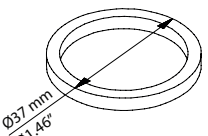
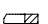
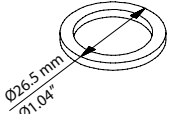

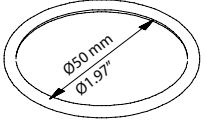

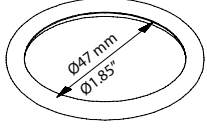
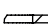
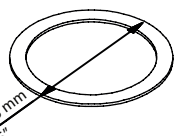

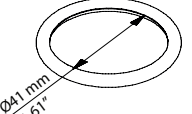
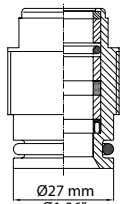
SVA-S/L, SVA-ST/LT, REG-SA/SB, REG, SVA-HS, SCA/X size 50



Data sheet – Spare parts and accessories

Repair kit | Code number 148B6063

SVA-S/L, SVA-ST/LT, REG-SA/SB, REG, SVA-HS, SCA/X size 50

<p><b>1</b></p> <p> = Nylon</p>  <p>Ø37 mm Ø1.46"</p> <p>Total no. = 1</p>	<p><b>2</b></p> <p> = Alu.</p>  <p>Ø26.5 mm Ø1.04"</p> <p>Total no. = 1</p>	<p><b>3</b></p> <p> = Fibre</p>  <p>Ø50 mm Ø1.97"</p> <p>Total no. = 1</p>	<p><b>4</b></p> <p> = Fibre</p>  <p>Ø47 mm Ø1.85"</p> <p>Total no. = 1</p>	<p><b>5</b></p> <p> = Fibre</p>  <p>Ø41 mm Ø1.61"</p> <p>Total no. = 1</p>
<p><b>6</b></p> <p> = Fibre</p>  <p>Ø41 mm Ø1.61"</p> <p>Total no. = 1</p>	<p><b>7</b></p>  <p>Ø27 mm Ø1.06"</p> <p>Total no. = 1</p>			

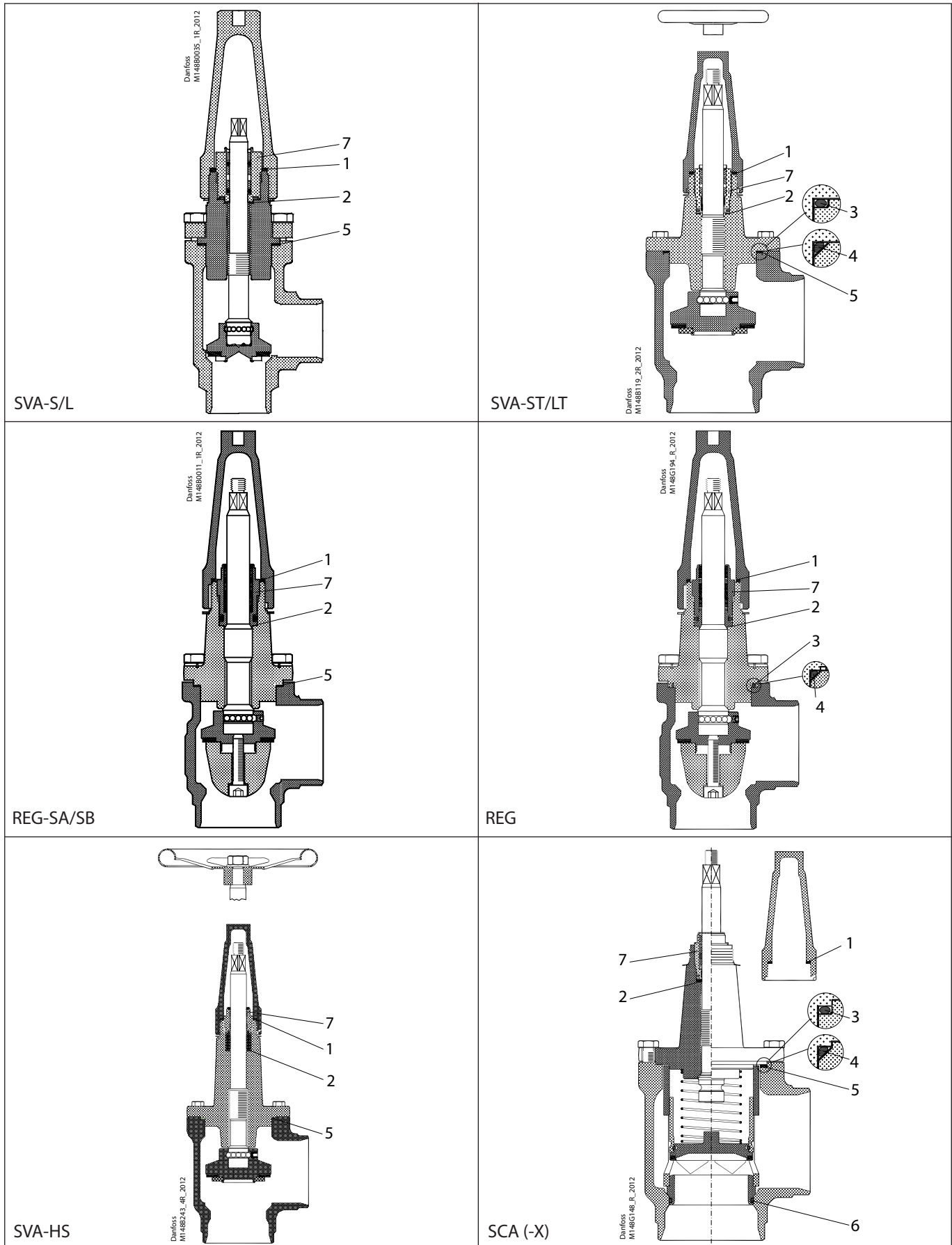
**NOTE:**

When replacing the packing gland (pos. 7) in SVA-ST, SVA-S/L, SVA-HS, REG-SA/B, REG, SCA-X and SCA the aluminium gasket (pos. 2) is needed.

Data sheet – Spare parts and accessories

Repair kit | Code number 148B6064

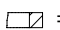
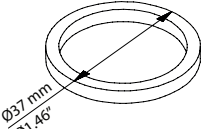
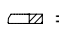
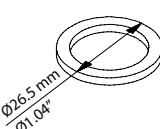
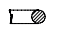
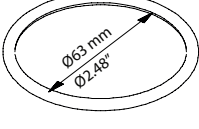
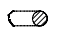
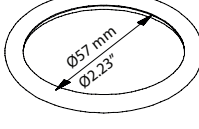
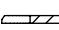
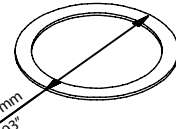

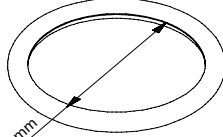
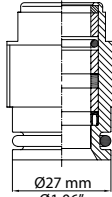
SVA-S/L, SVA-ST/LT, REG-SA/SB, REG, SVA-HS, SCA/X, size 65



Data sheet – Spare parts and accessories

Repair kit | Code number 148B6064

SVA-S/L, SVA-ST/LT, REG-SA/SB, REG, SVA-HS, SCA/X, size 65

<p><b>1</b></p> <p> = Nylon</p>  <p>Total no. = 1</p>	<p><b>2</b></p> <p> = Alu.</p>  <p>Total no. = 1</p>	<p><b>3</b></p>   <p>Total no. = 1</p>	<p><b>4</b></p>   <p>Total no. = 1</p>	<p><b>5</b></p> <p> = Fibre</p>  <p>Total no. = 1</p>
<p><b>6</b></p>   <p>Total no. = 1</p>	<p><b>7</b></p>  <p>Total no. = 1</p>			

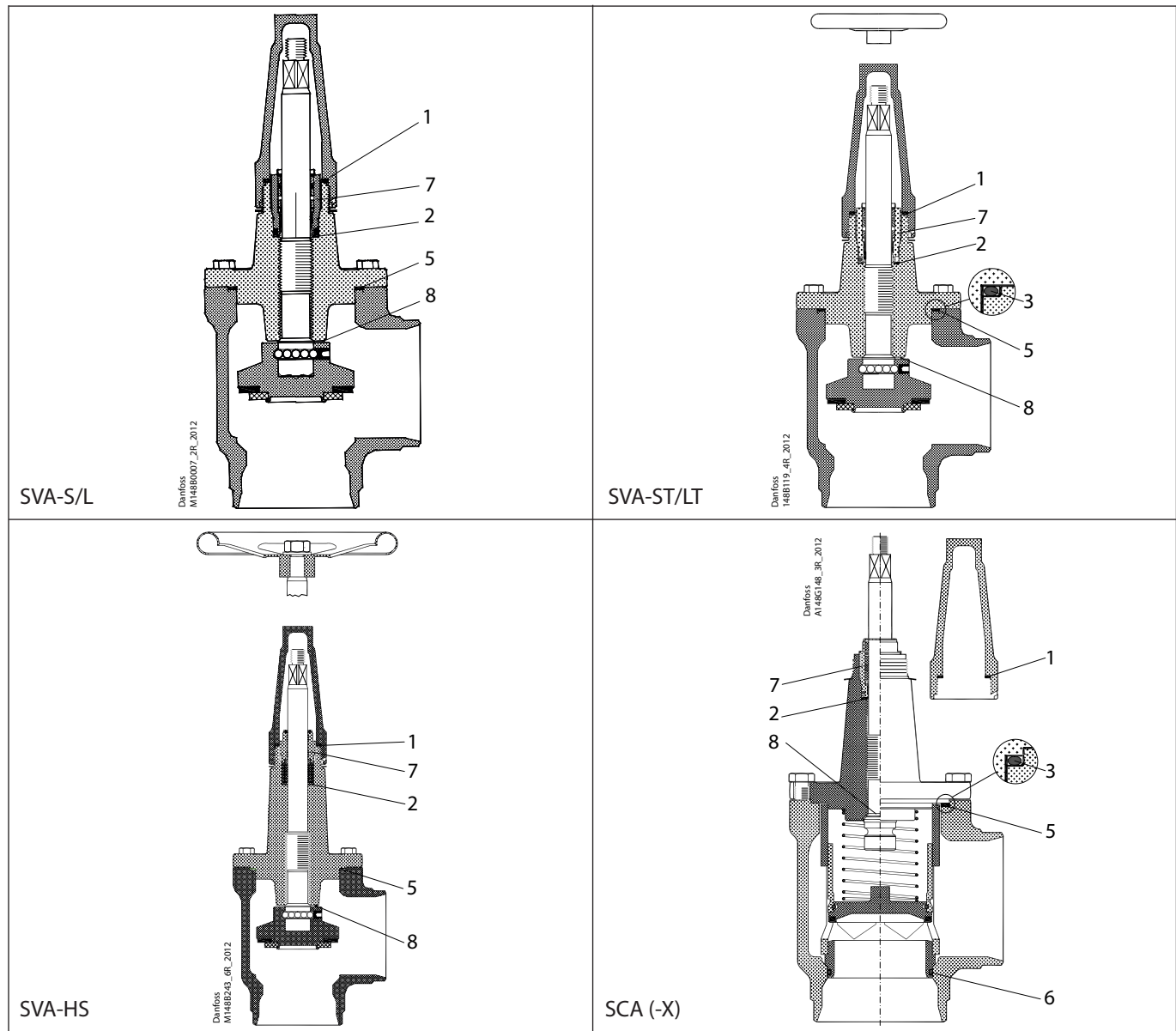
**NOTE:**

When replacing the packing gland (pos. 7) in SVA-ST, SVA-S/L, SVA-HS, REG-SA/B, REG, SCA-X and SCA the aluminium gasket (pos. 2) is needed.



Data sheet – Spare parts and accessories

Repair kit | Code number 148B6065  
SVA-S/L, SVA-ST/LT, SVA-HS, SCA/X size 80

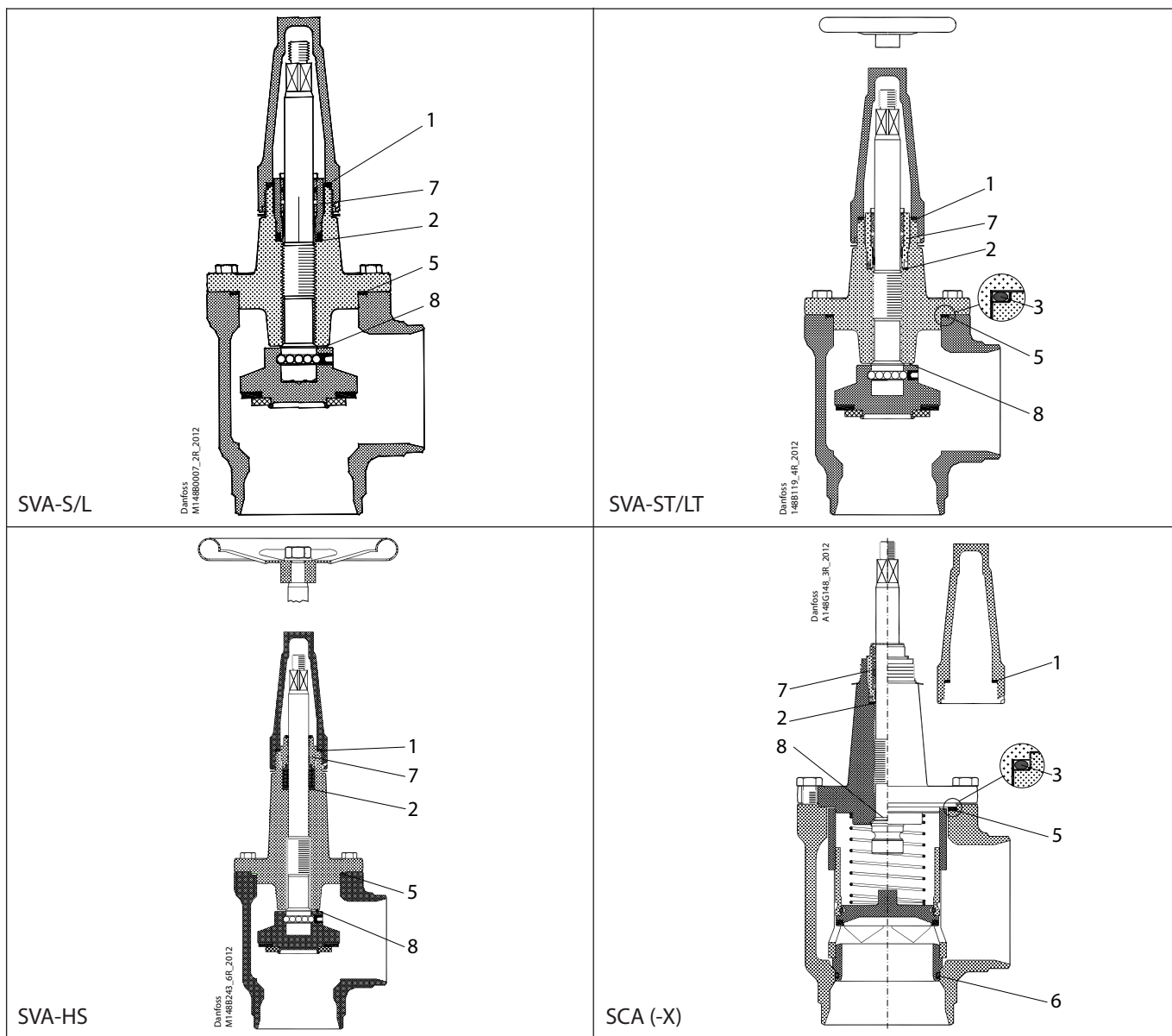


<p><b>1</b></p> <p> = Nylon</p> <p>Total no. = 1</p>	<p><b>2</b></p> <p> = Alu.</p> <p>Total no. = 1</p>	<p><b>3</b></p> <p>Total no. = 1</p>	<p><b>5</b></p> <p> = Fibre</p> <p>Total no. = 1</p>	<p><b>6</b></p> <p>Total no. = 1</p>
<p><b>7</b></p> <p>Total no. = 1</p>	<p><b>8</b></p> <p> = PTFE</p> <p>Total no. = 1</p>			

**NOTE:** When replacing the packing gland (pos. 7) in SVA-ST, SVA-S/L, SVA-HS, SCA-X and SCA the aluminium gasket (pos. 2) is needed.

Data sheet – Spare parts and accessories

Repair kit | Code number 148B6066  
SVA-S/L, SVA-ST/LT, SVA-HS, SCA/X size 100

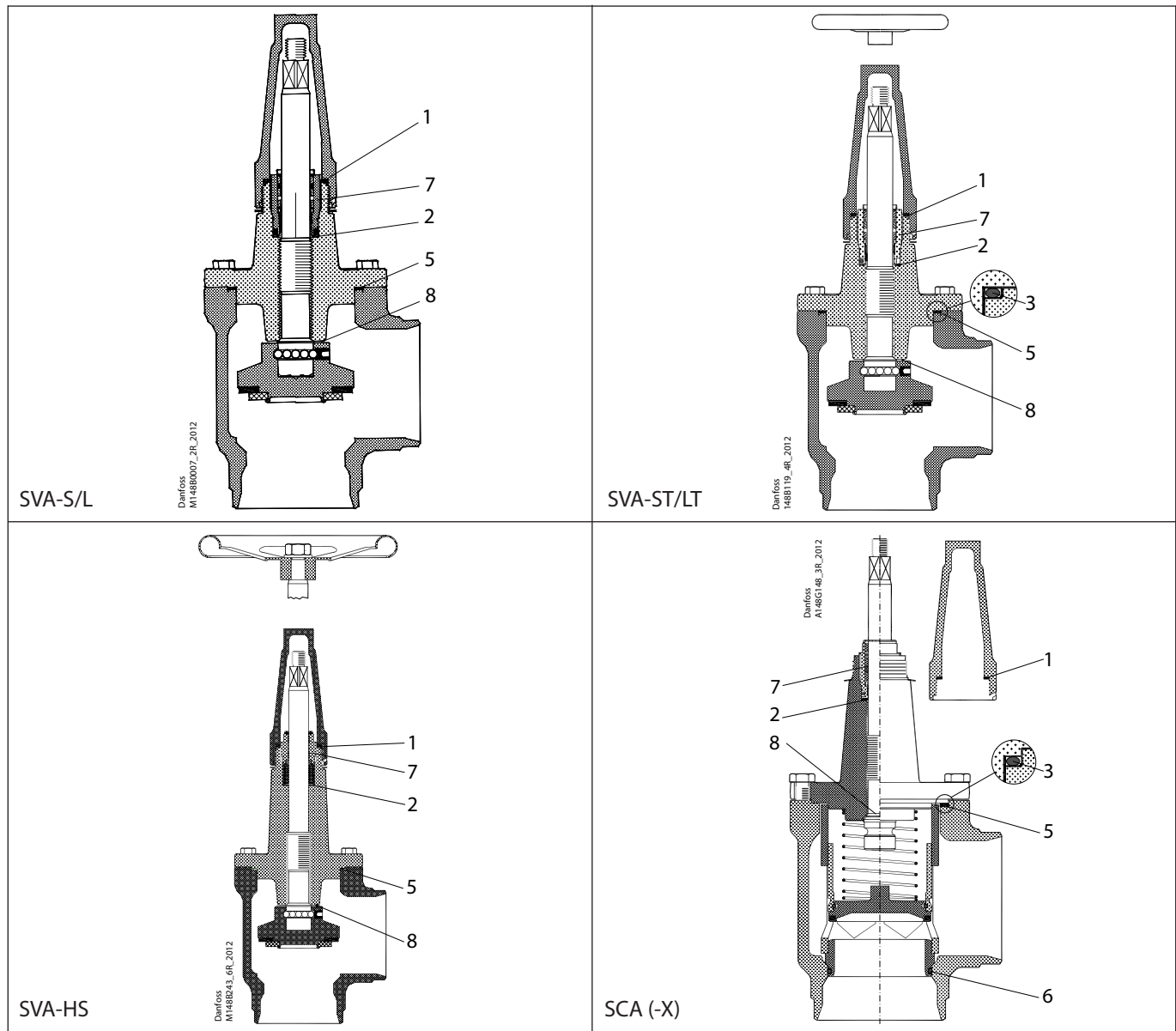


<p><b>1</b></p> <p> = Nylon</p> <p>Ø45 mm Ø1.88"</p> <p>Total no. = 1</p>	<p><b>2</b></p> <p> = Alu.</p> <p>Ø31.5 mm Ø1.24"</p> <p>Total no. = 1</p>	<p><b>3</b></p> <p>Ø1.01 mm Ø3.98"</p> <p>Total no. = 1</p>	<p><b>5</b></p> <p> = Fibre</p> <p>Ø1.19 mm Ø4.69"</p> <p>Total no. = 1</p>	<p><b>6</b></p> <p>Ø82 mm Ø3.23"</p> <p>Total no. = 1</p>
<p><b>7</b></p> <p>Ø32 mm Ø1.26"</p> <p>Total no. = 1</p>	<p><b>8</b></p> <p> = PTFE</p> <p>Ø30 mm Ø1.18"</p> <p>Total no. = 1</p>			

**NOTE:** When replacing the packing gland (pos. 7) in SVA-ST, SVA-S/L, SVA-HS, SCA-X and SCA the aluminium gasket (pos. 2) is needed.

Data sheet – Spare parts and accessories

Repair kit | Code number 148B6067  
SVA-S/L, SVA-ST/LT, SVA-HS, SCA/X size 125

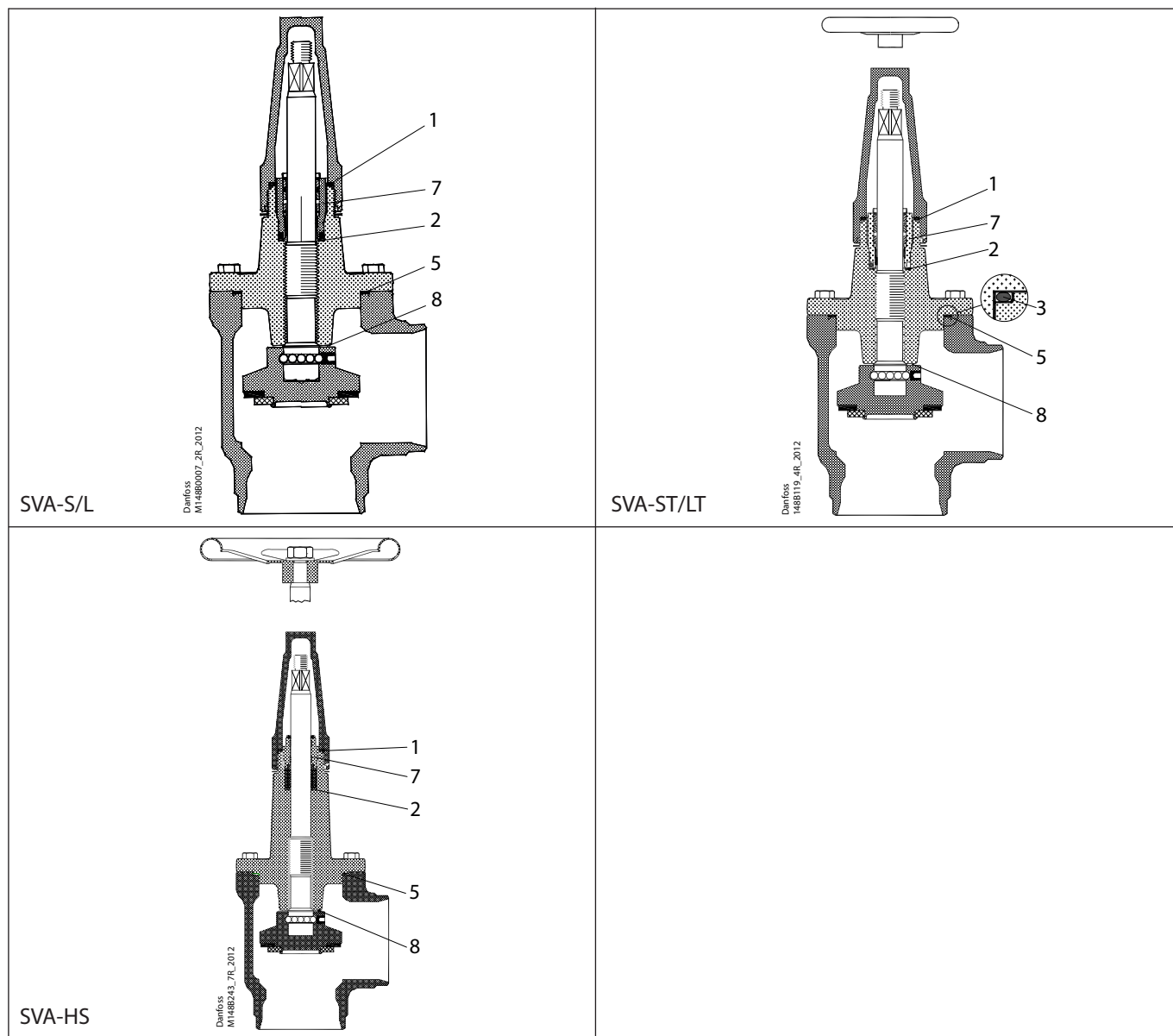


<p><b>1</b></p> <p> = Nylon</p> <p>Total no. = 1</p>	<p><b>2</b></p> <p> = Alu.</p> <p>Total no. = 1</p>	<p><b>3</b></p> <p>Total no. = 1</p>	<p><b>5</b></p> <p> = Fibre</p> <p>Total no. = 1</p>	<p><b>6</b></p> <p>Total no. = 1</p>
<p><b>7</b></p> <p>Total no. = 1</p>	<p><b>8</b></p> <p> = PTFE</p> <p>Total no. = 1</p>			

**NOTE:** When replacing the packing gland (pos. 7) in SVA-ST, SVA-S/L, SVA-HS, SCA-X and SCA the aluminium gasket (pos. 2) is needed.

Data sheet – Spare parts and accessories

Repair kit | Code number 148B6068  
SVA-S/L, SVA-ST/LT, SVA-HS size 150



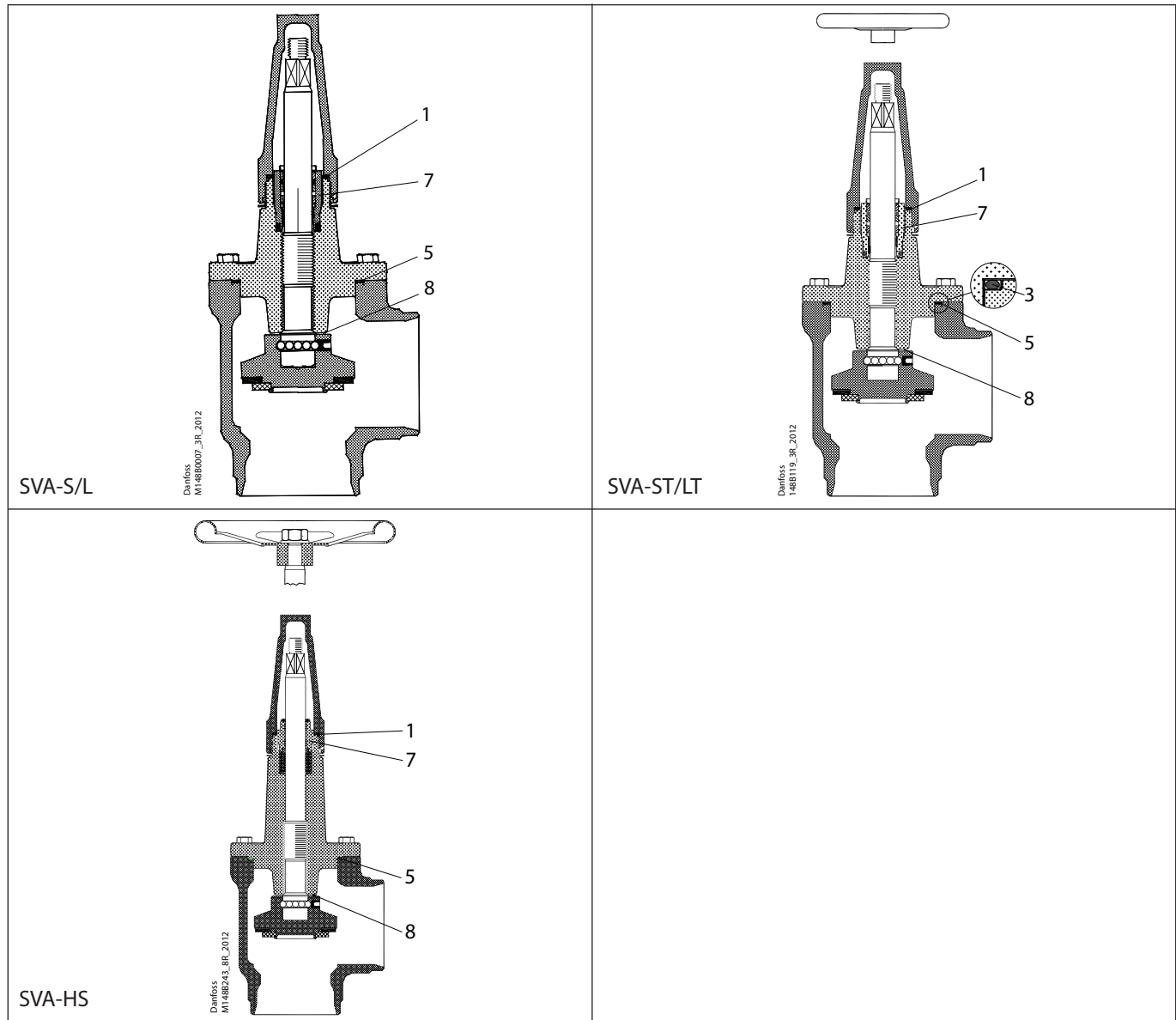
<p><b>1</b></p> <p> = Nylon</p> <p>Total no. = 1</p>	<p><b>2</b></p> <p> = Alu.</p> <p>Total no. = 1</p>	<p><b>3</b></p> <p>Total no. = 1</p>	<p><b>5</b></p> <p> = Fibre</p> <p>Total no. = 1</p>	<p><b>7</b></p> <p>Total no. = 1</p>
<p><b>8</b></p> <p> = PTFE</p> <p>Total no. = 1</p>				

**NOTE:** When replacing the packing gland (pos. 7) in SVA-ST, SVA-S/L or SVA-HS the aluminium gasket (pos. 2) is needed.

Data sheet – Spare parts and accessories

Repair kit | Code number 148B6473

Shut-off valves, SVA-S/L, SVA-ST/LT, SVA-HS size 200

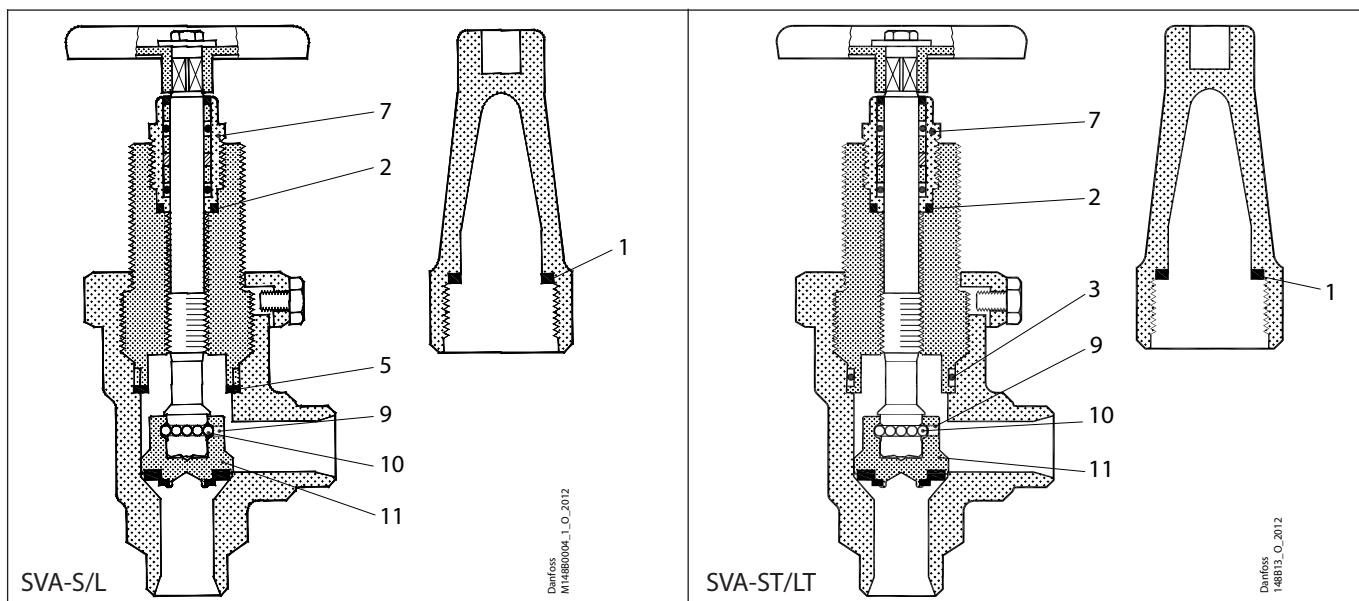


<p><b>1</b></p> <p>Ø66 mm Ø2.61"</p> <p>Total no. = 1</p>	<p><b>3</b></p> <p>Ø190 mm Ø3.23"</p> <p>Total no. = 1</p>	<p><b>5</b></p> <p>Ø216 mm Ø8.5"</p> <p>Total no. = 1</p>	<p><b>7</b></p> <p>Ø50 mm Ø1.97"</p> <p>Total no. = 1</p>	<p><b>8</b></p> <p>Ø47 mm Ø1.85"</p> <p>Total no. = 1</p>
<p><b>9</b></p> <p>Total no. = 1</p>	<p><b>10</b></p> <p>Total no. = 1</p>			

Data sheet – Spare parts and accessories

Overhaul kit | Code number 148B6150

SVA-S/L, SVA-ST/LT Sizes 6 to 10



<p><b>1</b></p> <p> = Nylon</p> <p> <math>\varnothing 21 \text{ mm}</math> <math>\varnothing 0.87''</math></p> <p>Total no. = 1</p>	<p><b>2</b></p> <p> = Alu.</p> <p> <math>\varnothing 14 \text{ mm}</math> <math>\varnothing 0.53''</math></p> <p>Total no. = 1</p>	<p><b>3</b></p> <p> = O-ring</p> <p> <math>\varnothing 17 \text{ mm}</math> <math>\varnothing 0.67''</math></p> <p>Total no. = 1</p>	<p><b>5</b></p> <p> = Alu.</p> <p> <math>\varnothing 22 \text{ mm}</math> <math>\varnothing 0.87''</math></p> <p>Total no. = 1</p>	<p><b>7</b></p> <p> = Packing gland</p> <p><math>\varnothing 14 \text{ mm}</math> <math>\varnothing 0.55''</math></p> <p>Total no. = 1</p>
<p><b>9</b></p> <p> = Screw</p> <p>M4</p> <p>Total no. = 1</p>	<p><b>10</b></p> <p> = Ball</p> <p><math>\varnothing 3 \text{ mm}</math> <math>\varnothing 0.118''</math></p> <p>Total no. = 6</p>	<p><b>11</b></p> <p> = Valve seat</p> <p><math>\varnothing 15.5 \text{ mm}</math> <math>\varnothing 0.61''</math></p> <p>Total no. = 1</p>	<p><b>12</b></p> <p> = Hex key</p> <p>Total no. = 1</p>	

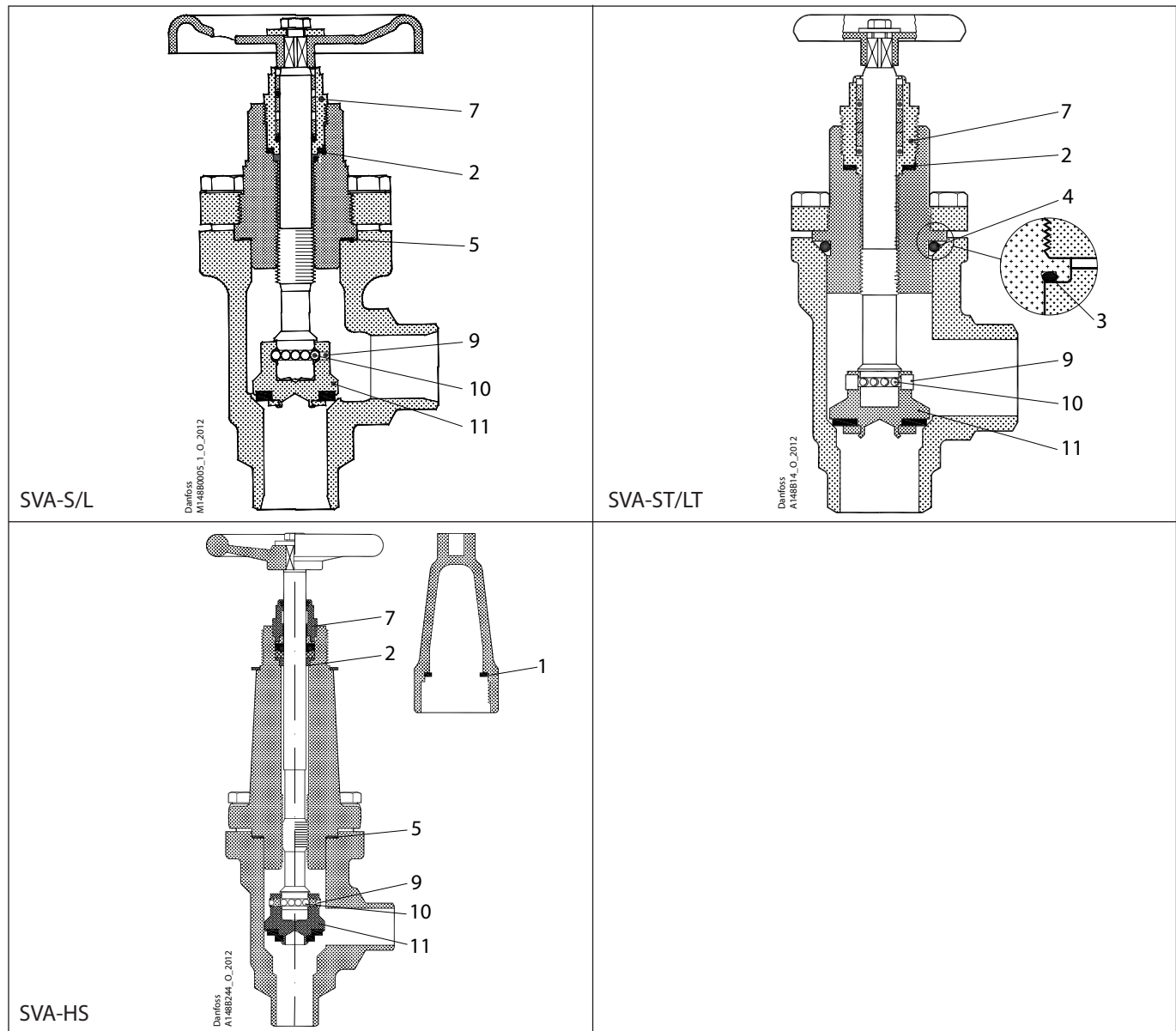
**NOTE:**

When replacing the packing gland (pos. 7) in SVA-S/L or SVA-ST/LT the aluminium gasket (pos. 2) is needed.



Data sheet – Spare parts and accessories

Overhaul kit | Code number 148B6151  
SVA-S/L, SVA-ST/LT, SVA-HS sizes 15-20

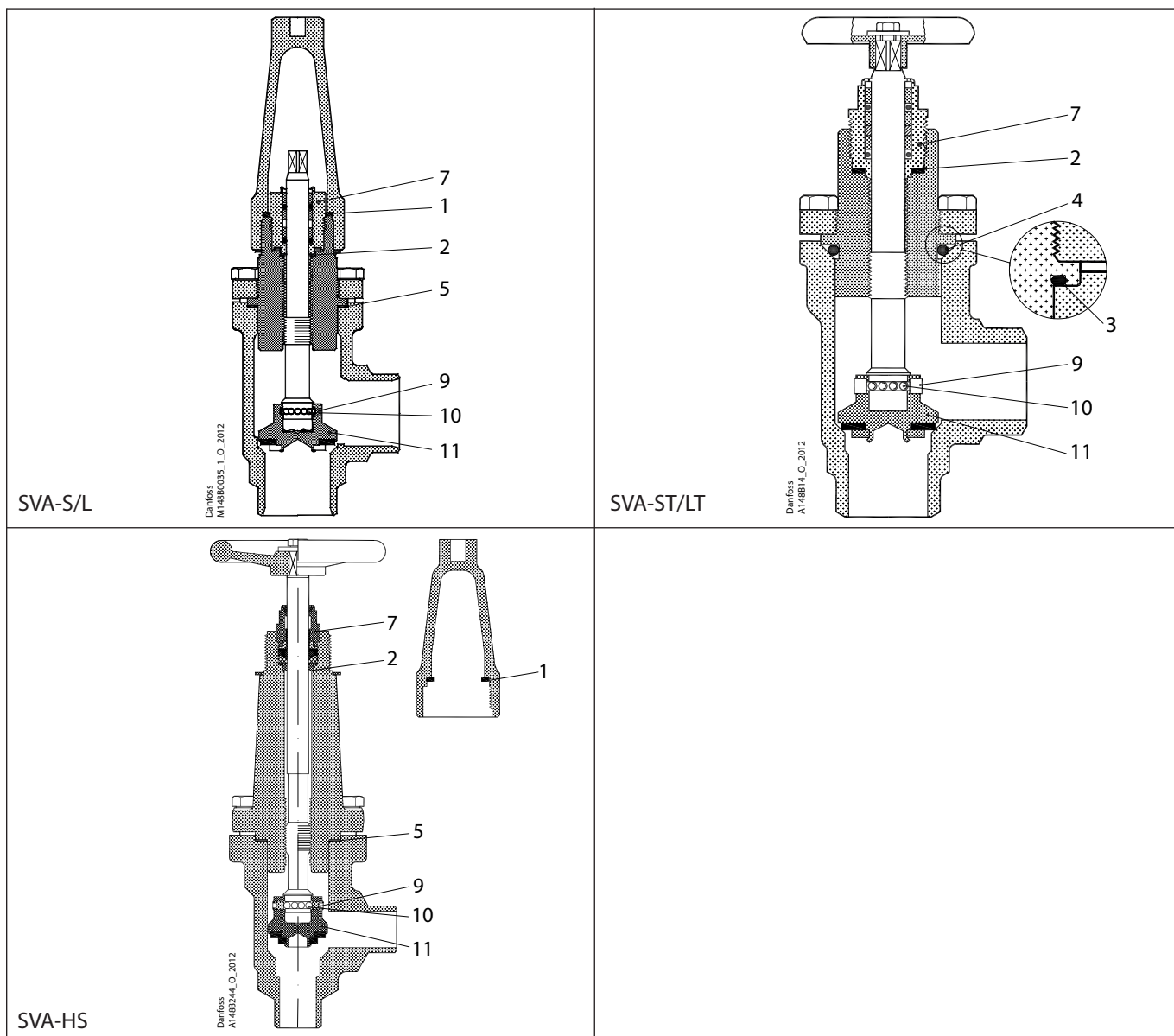


<p><b>1</b></p> <p> = Nylon</p> <p>Ø28 mm Ø1.1"</p> <p>Total no. = 1</p>	<p><b>2</b></p> <p> = Alu.</p> <p>Ø18 mm Ø0.69"</p> <p>Total no. = 1</p>	<p><b>3</b></p> <p>Ø27 mm Ø1.06"</p> <p>Total no. = 1</p>	<p><b>4</b></p> <p>Ø23 mm Ø0.91"</p> <p>Total no. = 1</p>	<p><b>5</b></p> <p> = Fibre</p> <p>Ø39 mm Ø1.55"</p> <p>Total no. = 1</p>
<p><b>7</b></p> <p>Ø18 mm Ø0.71"</p> <p>Total no. = 1</p>	<p><b>9</b></p> <p>M4</p> <p>Total no. = 1</p>	<p><b>10</b></p> <p>Ø3 mm Ø0.118"</p> <p>Total no. = 10</p>	<p><b>11</b></p> <p>Ø25 mm Ø0.98"</p> <p>Total no. = 1</p>	<p><b>12</b></p> <p>Total no. = 1</p>

**NOTE:** When replacing the packing gland (pos. 7) in SVA-S/L, SVA-ST/LT or SVA-HS the aluminium gasket (pos. 2) is needed.

Data sheet – Spare parts and accessories

Overhaul kit | Code number 148B6152  
SVA-S/L, SVA-ST/LT, SVA-HS, sizes 25-40

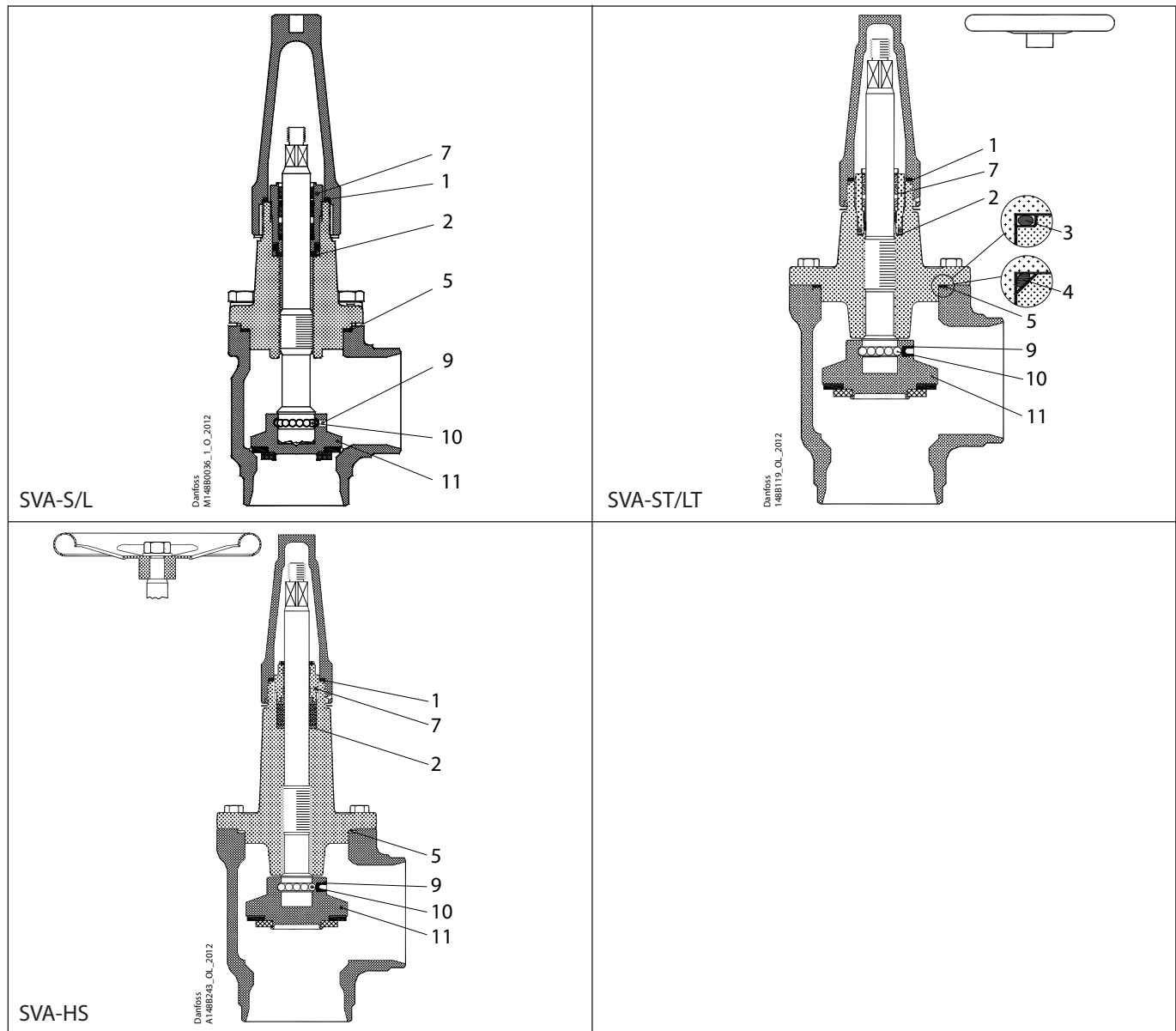


<p><b>1</b></p> <p> = Nylon</p> <p>Total no. = 1</p>	<p><b>2</b></p> <p> = Alu.</p> <p>Total no. = 1</p>	<p><b>3</b></p> <p>Total no. = 1</p>	<p><b>4</b></p> <p>Total no. = 1</p>	<p><b>5</b></p> <p> = Fibre</p> <p>Total no. = 1</p>
<p><b>7</b></p> <p>Total no. = 1</p>	<p><b>9</b></p> <p>Total no. = 1</p>	<p><b>10</b></p> <p>Total no. = 14</p>	<p><b>11</b></p> <p>Total no. = 1</p>	<p><b>12</b></p> <p>Total no. = 1</p>

**NOTE:** When replacing the packing gland (pos. 7) in SVA-S/L, SVA-ST/LT or SVA-HS the aluminium gasket (pos. 2) is needed.

Data sheet – Spare parts and accessories

Overhaul kit | Code number 148B6153  
SVA-S/L, SVA-ST/LT, SVA-HS, size 50

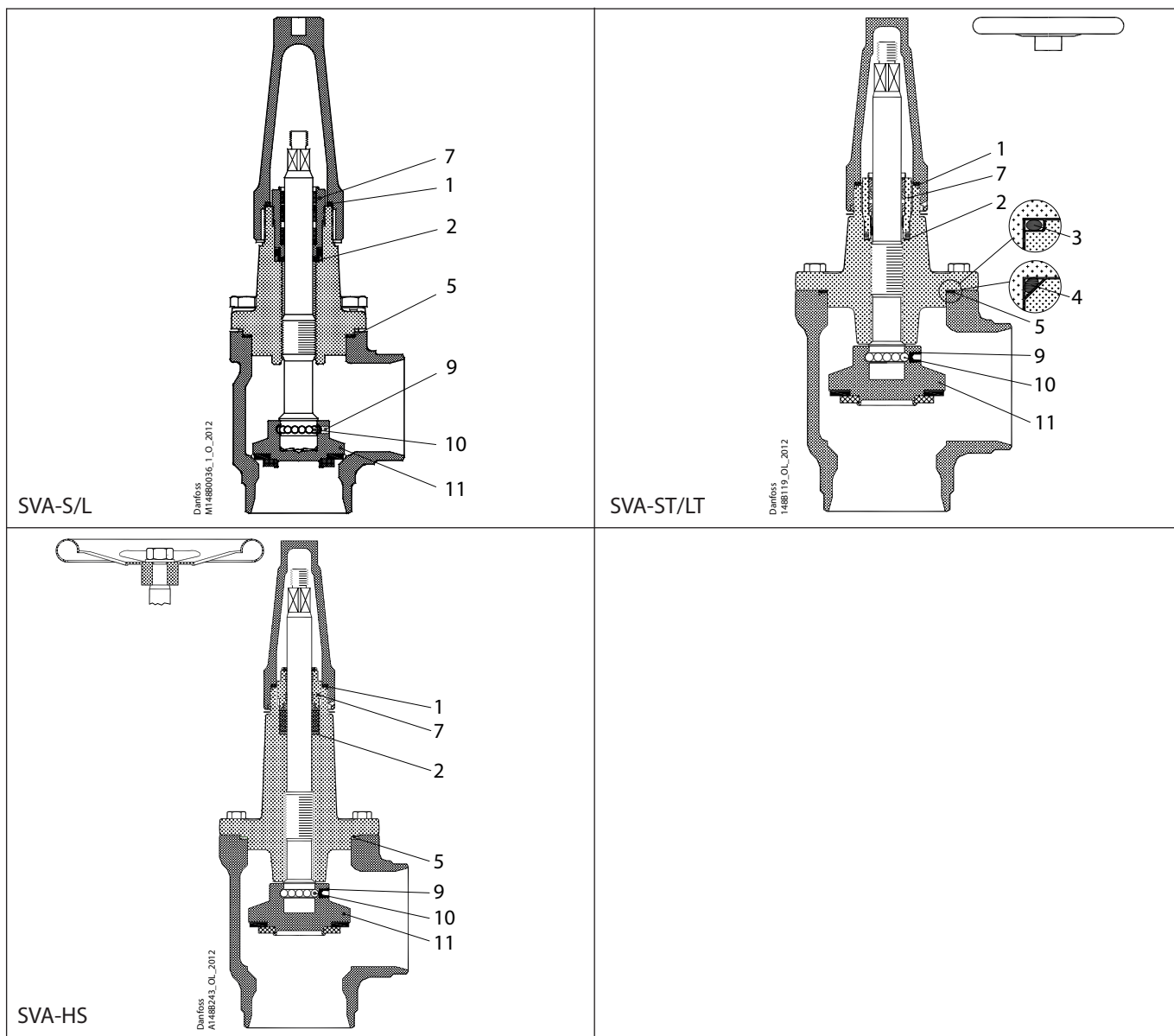


<p><b>1</b></p> <p> = Nylon</p> <p>Total no. = 1</p>	<p><b>2</b></p> <p> = Alu.</p> <p>Total no. = 1</p>	<p><b>3</b></p> <p>Total no. = 1</p>	<p><b>4</b></p> <p>Total no. = 1</p>	<p><b>5</b></p> <p> = Fibre</p> <p>Total no. = 1</p>
<p><b>7</b></p> <p>Total no. = 1</p>	<p><b>9</b></p> <p>Total no. = 1</p>	<p><b>10</b></p> <p>Total no. = 14</p>	<p><b>11</b></p> <p>Total no. = 1</p>	<p><b>12</b></p> <p>Total no. = 1</p>

**NOTE:** When replacing the packing gland (pos. 7) in SVA-S/L, SVA-ST/LT or SVA-HS the aluminium gasket (pos. 2) is needed.

Data sheet – Spare parts and accessories

Overhaul kit | Code number 148B6154  
SVA-S/L, SVA-ST/LT, SVA-HS, size 65

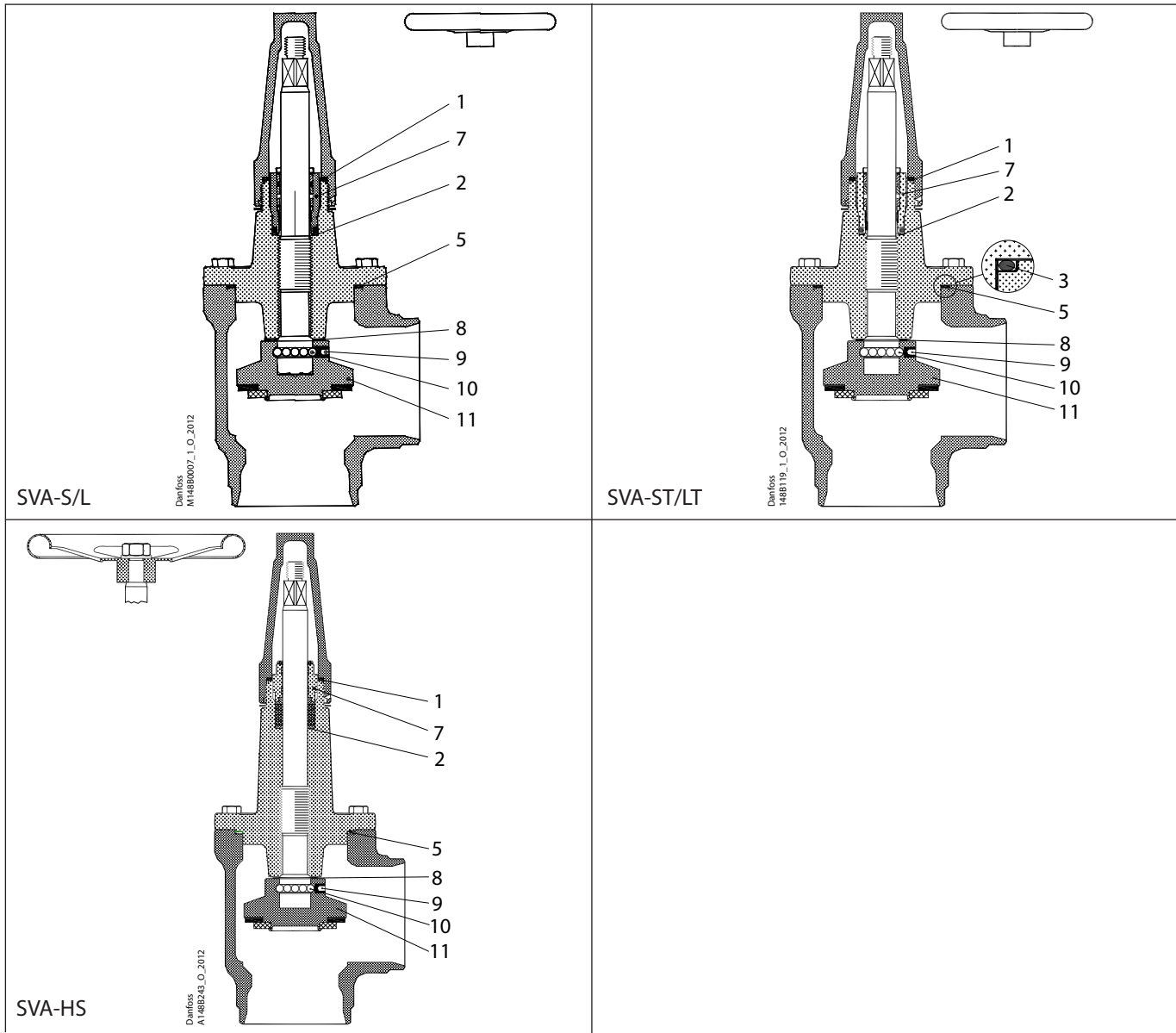


<p><b>1</b></p> <p> = Nylon</p> <p>Total no. = 1</p>	<p><b>2</b></p> <p> = Alu.</p> <p>Total no. = 1</p>	<p><b>3</b></p> <p>Total no. = 1</p>	<p><b>4</b></p> <p>Total no. = 1</p>	<p><b>5</b></p> <p> = Fibre</p> <p>Total no. = 1</p>
<p><b>7</b></p> <p>Total no. = 1</p>	<p><b>9</b></p> <p>Total no. = 1</p>	<p><b>10</b></p> <p>Total no. = 14</p>	<p><b>11</b></p> <p>Total no. = 1</p>	<p><b>12</b></p> <p>Total no. = 1</p>

**NOTE:** When replacing the packing gland (pos. 7) in SVA-S/L, SVA-ST/LT or SVA-HS the aluminium gasket (pos. 2) is needed.

Data sheet – Spare parts and accessories

Overhaul kit | Code number 148B6155  
SVA-S/L, SVA-ST/LT, SVA-HS, size 80

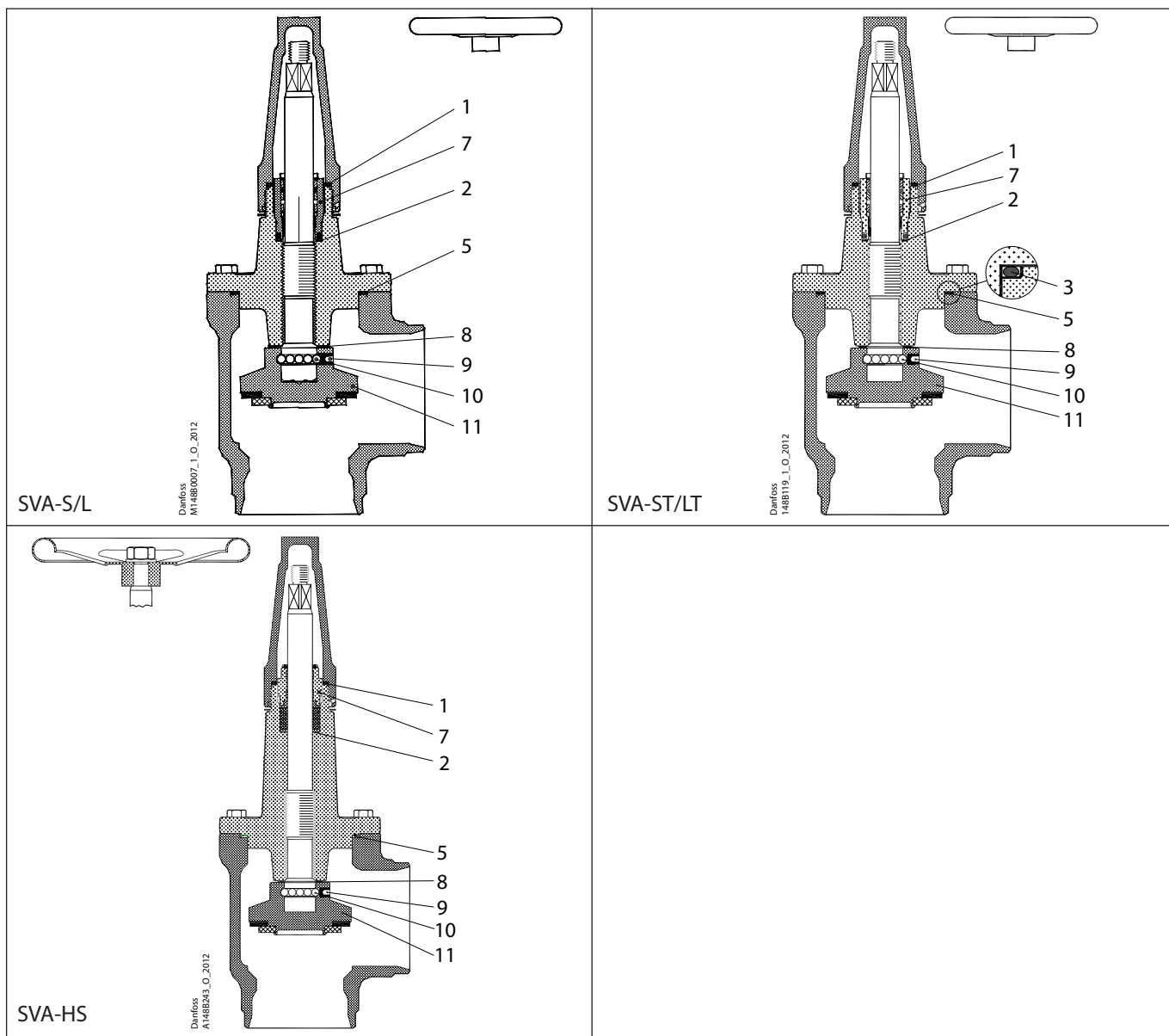


<p><b>1</b></p> <p> = Nylon</p> <p>Total no. = 1</p>	<p><b>2</b></p> <p> = Alu.</p> <p>Total no. = 1</p>	<p><b>3</b></p> <p>Total no. = 1</p>	<p><b>5</b></p> <p> = Fibre</p> <p>Total no. = 1</p>	<p><b>7</b></p> <p>Ø32 mm Ø1.26"</p> <p>Total no. = 1</p>
<p><b>8</b></p> <p> = PTFE</p> <p>Total no. = 1</p>	<p><b>9</b></p> <p>M8</p> <p>Total no. = 1</p>	<p><b>10</b></p> <p>Ø6 mm Ø0.236"</p> <p>Total no. = 13</p>	<p><b>11</b></p> <p>Ø75 mm Ø2.95"</p> <p>Total no. = 1</p>	<p><b>12</b></p> <p>Total no. = 1</p>

**NOTE:** When replacing the packing gland (pos. 7) in SVA-S/L, SVA-ST/LT or SVA-HS the aluminium gasket (pos. 2) is needed.

Data sheet – Spare parts and accessories

Overhaul kit | Code number 148B6156  
SVA-S/L, SVA-ST/LT, SVA-HS, size 100

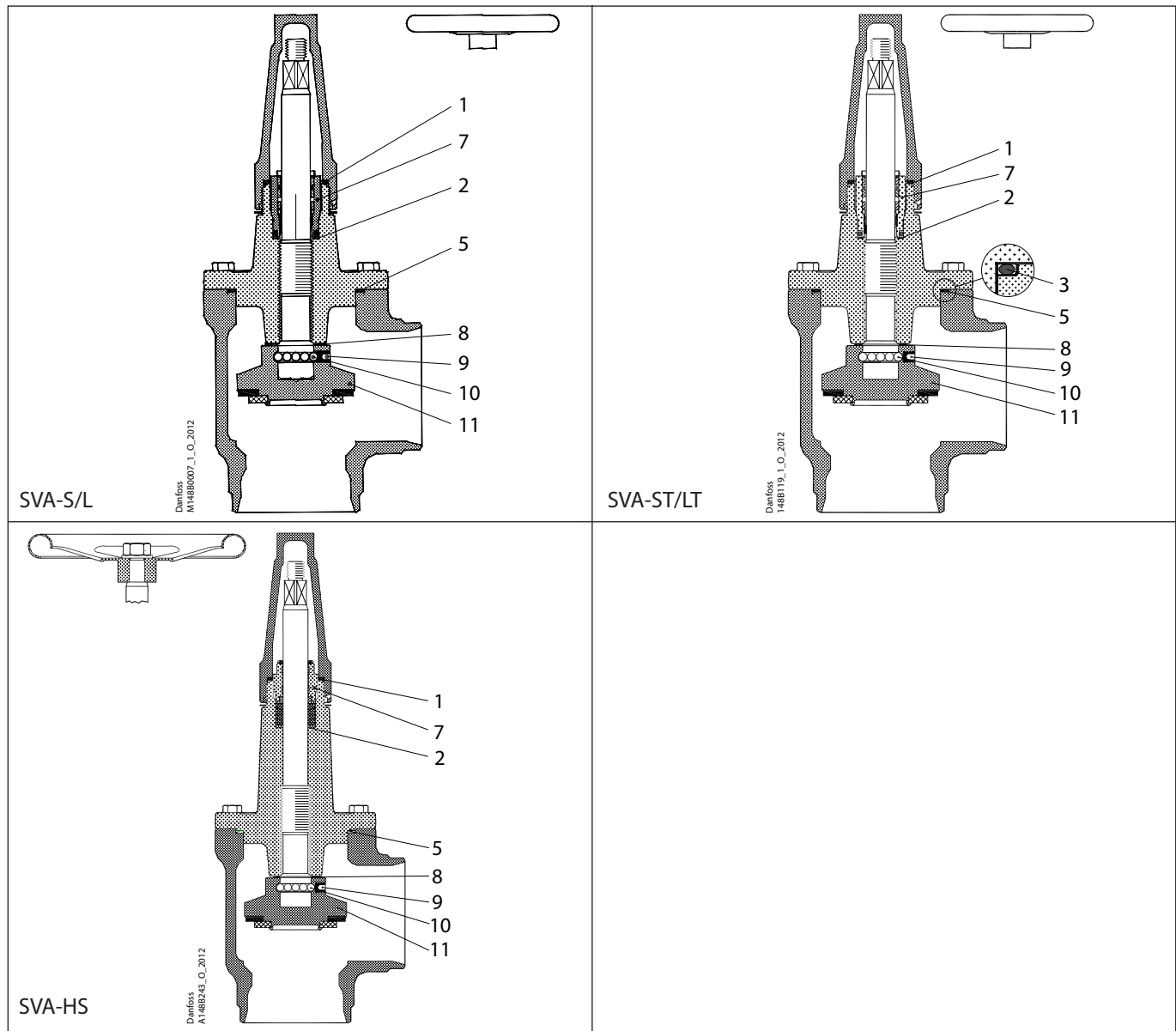


<p><b>1</b></p> <p> = Nylon</p> <p>Total no. = 1</p>	<p><b>2</b></p> <p> = Alu.</p> <p>Total no. = 1</p>	<p><b>3</b></p> <p>Total no. = 1</p>	<p><b>5</b></p> <p> = Fibre</p> <p>Total no. = 1</p>	<p><b>7</b></p> <p>Total no. = 1</p>
<p><b>8</b></p> <p> = PTFE</p> <p>Total no. = 1</p>	<p><b>9</b></p> <p>Total no. = 1</p>	<p><b>10</b></p> <p>Total no. = 13</p>	<p><b>11</b></p> <p>Total no. = 1</p>	<p><b>12</b></p> <p>Total no. = 1</p>

**NOTE:** When replacing the packing gland (pos. 7) in SVA-S/L, SVA-ST/LT or SVA-HS the aluminium gasket (pos. 2) is needed.

Data sheet – Spare parts and accessories

Overhaul kit | Code number 148B6157  
SVA-S/L, SVA-ST/LT, SVA-HS, size 125



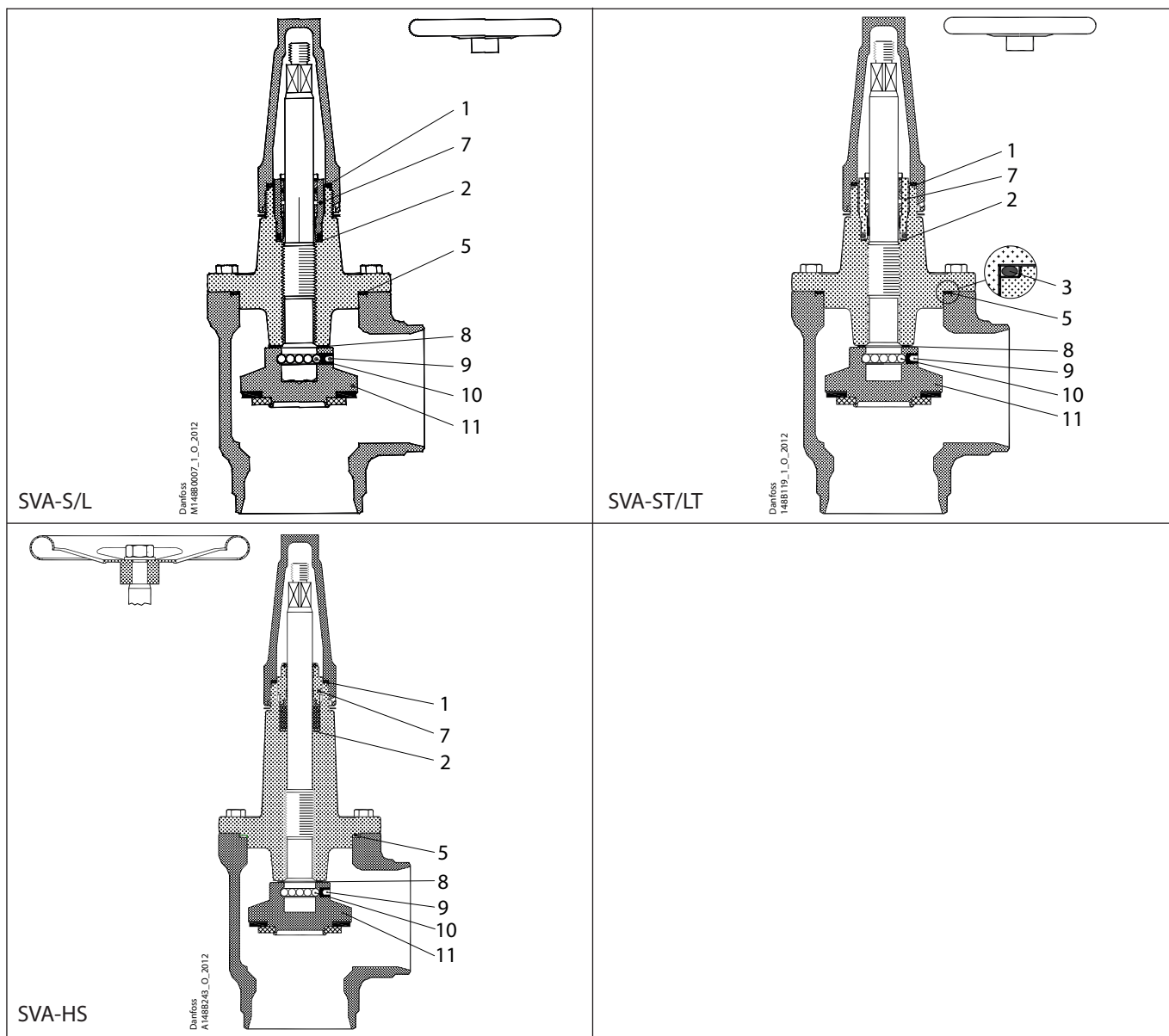
<p><b>1</b></p> <p> = Nylon</p> <p>Total no. = 1</p>	<p><b>2</b></p> <p> = Alu.</p> <p>Total no. = 1</p>	<p><b>3</b></p> <p>Total no. = 1</p>	<p><b>5</b></p> <p> = Fibre</p> <p>Total no. = 1</p>	<p><b>7</b></p> <p>Total no. = 1</p>
<p><b>8</b></p> <p> = PTFE</p> <p>Total no. = 1</p>	<p><b>9</b></p> <p>Total no. = 1</p>	<p><b>10</b></p> <p>Total no. = 13</p>	<p><b>11</b></p> <p>Total no. = 1</p>	<p><b>12</b></p> <p>Total no. = 1</p>

**NOTE:** When replacing the packing gland (pos. 7) in SVA-S/L, SVA-ST/LT or SVA-HS the aluminium gasket (pos. 2) is needed.



Data sheet – Spare parts and accessories

Overhaul kit | Code number 148B6158  
SVA-S/L, SVA-ST/LT, SVA-HS, size 150

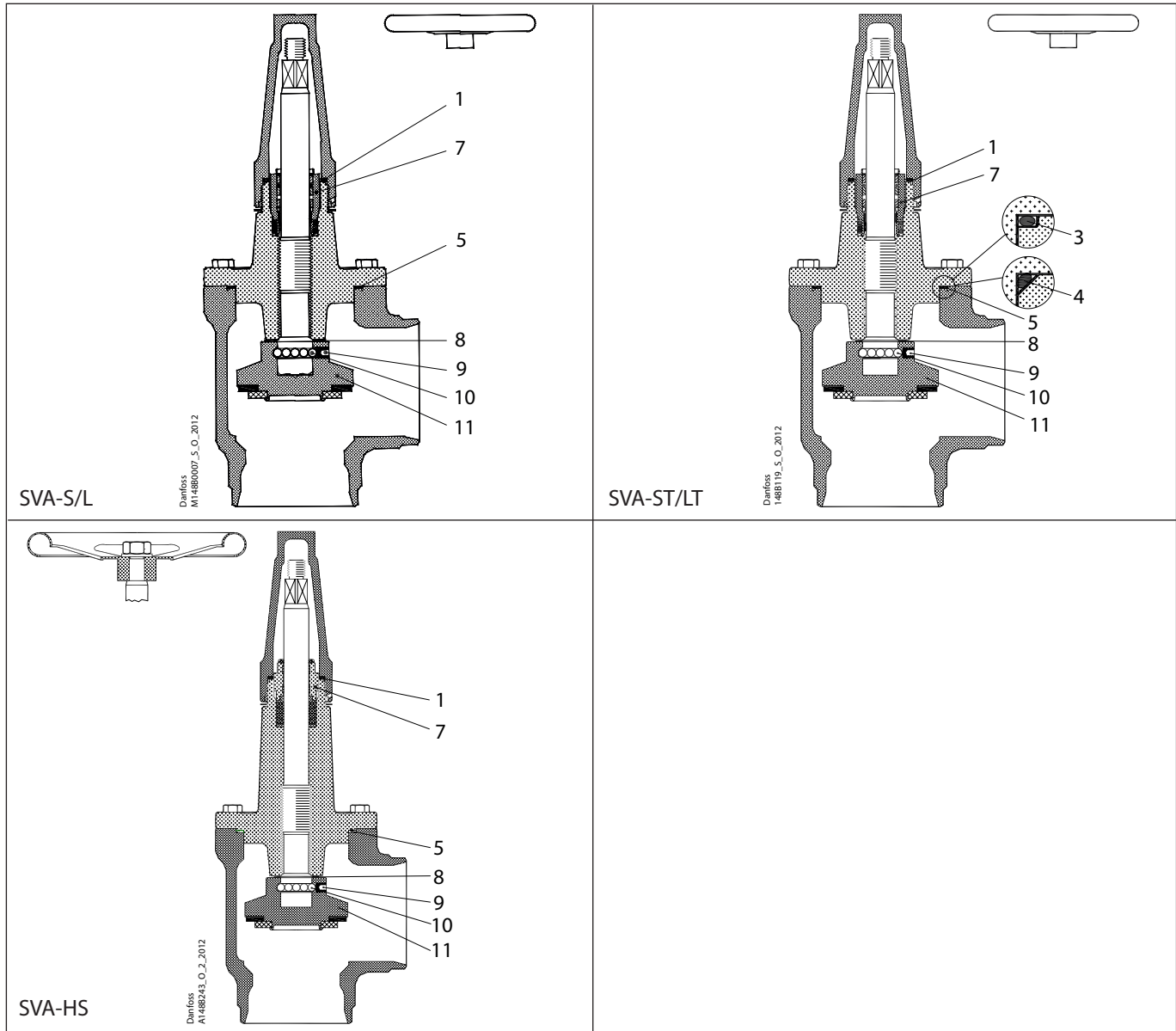


<p><b>1</b></p> <p> = Nylon</p> <p></p> <p>Total no. = 1</p>	<p><b>2</b></p> <p> = Alu.</p> <p></p> <p>Total no. = 1</p>	<p><b>3</b></p> <p></p> <p></p> <p>Total no. = 1</p>	<p><b>5</b></p> <p> = Fibre</p> <p></p> <p>Total no. = 1</p>	<p><b>7</b></p> <p></p> <p></p> <p>Total no. = 1</p>
<p><b>8</b></p> <p> = PTFE</p> <p></p> <p>Total no. = 1</p>	<p><b>9</b></p> <p></p> <p>M10</p> <p>Total no. = 1</p>	<p><b>10</b></p> <p></p> <p></p> <p>Total no. = 13</p>	<p><b>11</b></p> <p></p> <p></p> <p>Total no. = 1</p>	<p><b>12</b></p> <p></p> <p>Total no. = 1</p>

**NOTE:** When replacing the packing gland (pos. 7) in SVA-S/L, SVA-ST/LT or SVA-HS the aluminium gasket (pos. 2) is needed.

Data sheet – Spare parts and accessories

Overhaul kit | Code number 148B6472  
Shut-off valves, SVA-S/L, SVA-ST/LT, SVA-HS, size 200

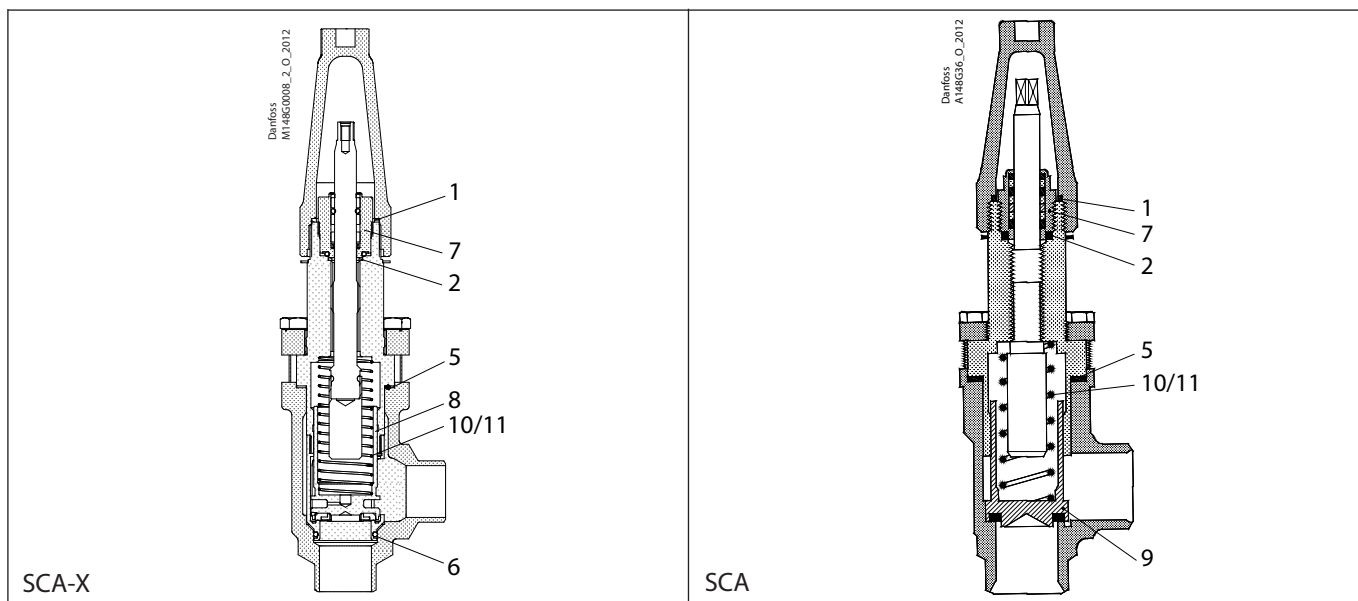


<p><b>1</b></p> <p>Total no. = 1</p>	<p><b>3</b></p> <p>Total no. = 1</p>	<p><b>5</b></p> <p>Total no. = 1</p>	<p><b>7</b></p> <p>Total no. = 1</p>	<p><b>8</b></p> <p>Total no. = 1</p>
<p><b>9</b></p> <p>Total no. = 1</p>	<p><b>10</b></p> <p>Total no. = 13</p>	<p><b>11</b></p> <p>Total no. = 1</p>	<p><b>12</b></p> <p>Total no. = 1</p>	<p><b>13</b></p> <p>Total no. = 1</p>

Data sheet – Spare parts and accessories

Overhaul kit | Code number 148B6160

SCA / SCA-X sizes 15 - 20



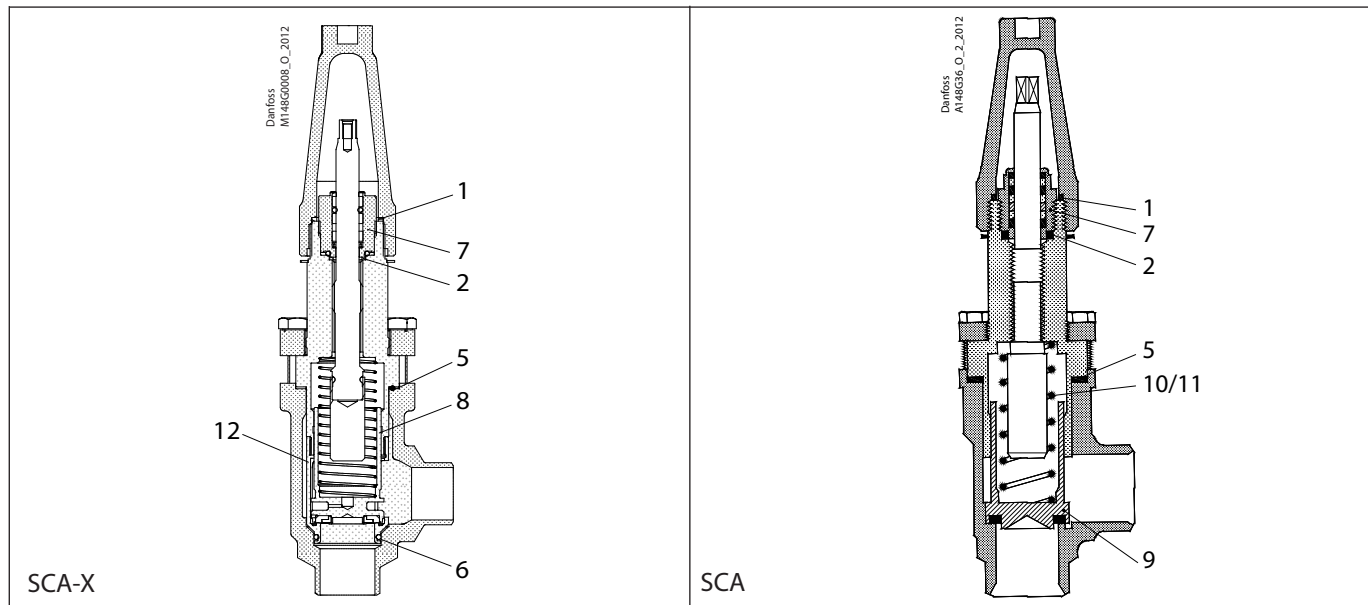
<p><b>1</b></p> <p> = Nylon</p> <p>Total no. = 1</p>	<p><b>2</b></p> <p> = Alu.</p> <p>Total no. = 1</p>	<p><b>5</b></p> <p> = Fibre</p> <p>Total no. = 1</p>	<p><b>6</b></p> <p>Total no. = 1</p>	<p><b>7</b></p> <p>Total no. = 1</p>
<p><b>8</b></p> <p>Total no. = 1</p>	<p><b>9</b></p> <p>Total no. = 1</p>	<p><b>10</b></p> <p>Total no. = 1</p>	<p><b>11</b></p> <p>Total no. = 1</p>	

**NOTE:**

When replacing the packing gland (pos. 7) in SCA-X or SCA the aluminium gasket (pos. 2) is needed.

Data sheet – Spare parts and accessories

Overhaul kit | Code number 148B6161  
SCA / SCA-X sizes 25-40



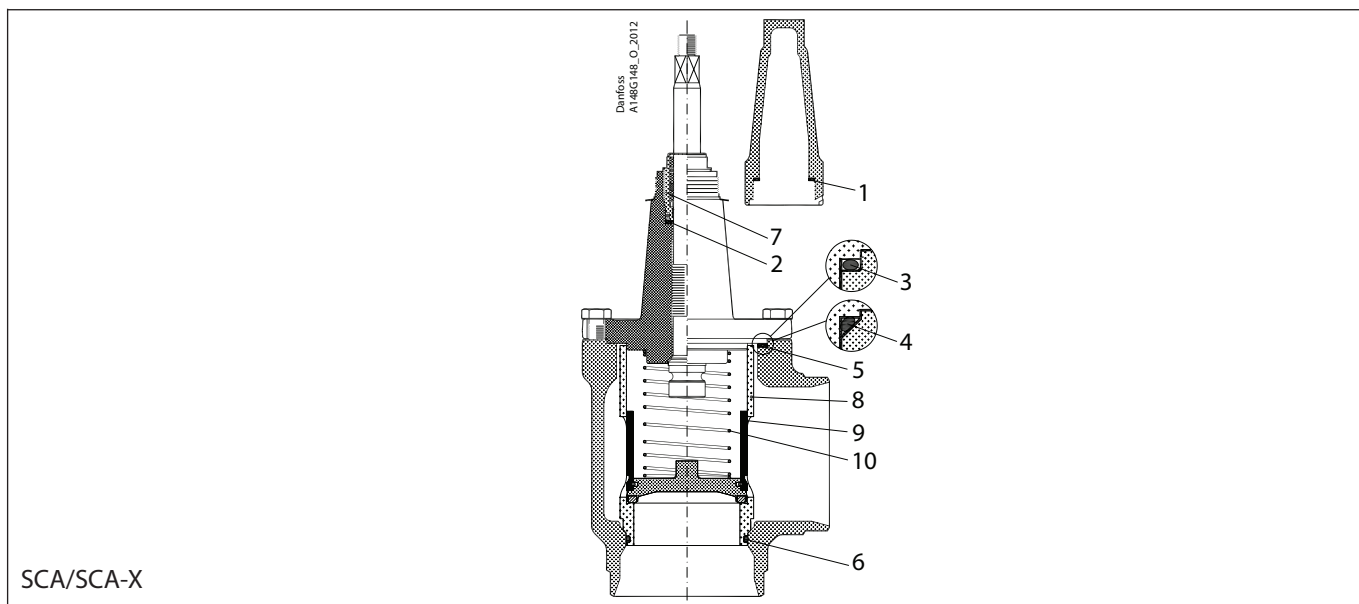
<p><b>1</b></p> <p> = Nylon</p> <p>Total no. = 1</p>	<p><b>2</b></p> <p> = Alu.</p> <p>Total no. = 1</p>	<p><b>5</b></p> <p> = Fibre</p> <p>Total no. = 1</p>	<p><b>6</b></p> <p>Total no. = 1</p>	<p><b>7</b></p> <p>Total no. = 1</p>
<p><b>8</b></p> <p>Total no. = 1</p>	<p><b>9</b></p> <p>Total no. = 1</p>	<p><b>10</b></p> <p>Total no. = 1</p>	<p><b>11</b></p> <p>Total no. = 1</p>	<p><b>12</b></p> <p>Total no. = 1</p>

**NOTE:**  
When replacing the packing gland (pos. 7) in SCA-X or SCA the aluminium gasket (pos. 2) is needed.

Data sheet – Spare parts and accessories

Overhaul kit | Code number 148B6162

SCA / SCA-X sizes 50



SCA/SCA-X

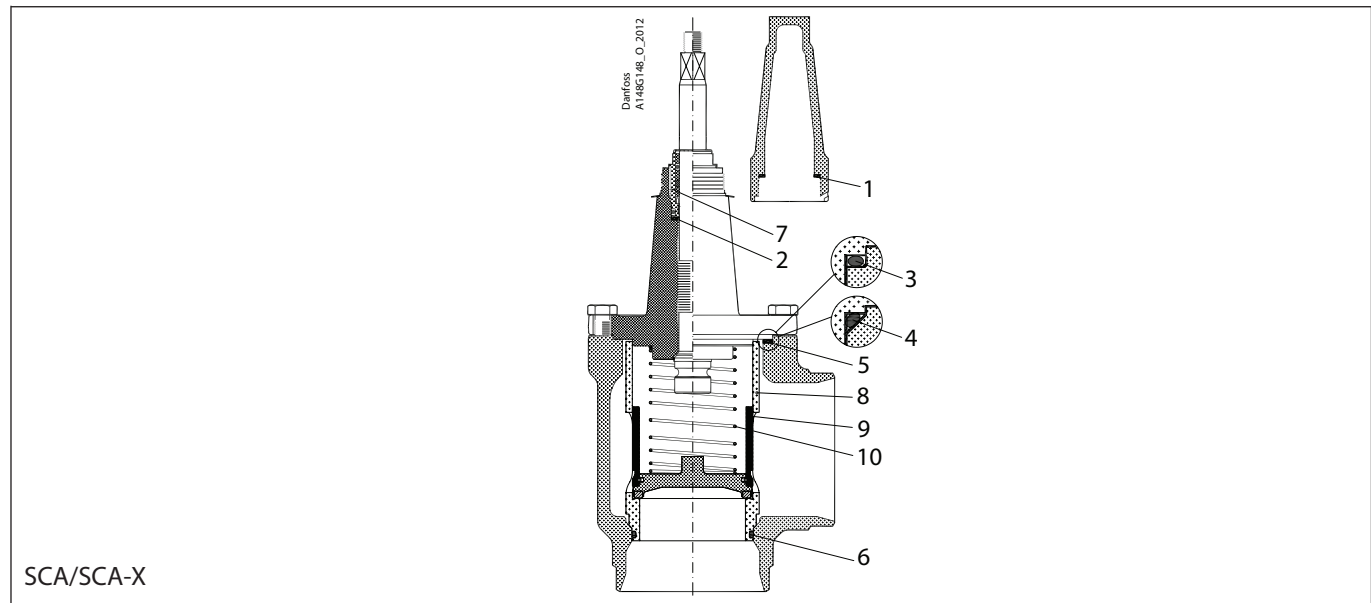
<p><b>1</b></p> <p> = Nylon</p> <p>Ø37 mm Ø1.46"</p> <p>Total no. = 1</p>	<p><b>2</b></p> <p> = Alu.</p> <p>Ø26.5 mm Ø1.04"</p> <p>Total no. = 1</p>	<p><b>3</b></p> <p>Ø50 mm Ø1.97"</p> <p>Total no. = 1</p>	<p><b>4</b></p> <p>Ø47 mm Ø1.85"</p> <p>Total no. = 1</p>	<p><b>5</b></p> <p> = Fibre</p> <p>Ø63.5 mm Ø2.5"</p> <p>Total no. = 1</p>
<p><b>6</b></p> <p>Ø41 mm Ø1.61"</p> <p>Total no. = 1</p>	<p><b>7</b></p> <p>Ø27 mm Ø1.06"</p> <p>Total no. = 1</p>	<p><b>8</b></p> <p>Ø49.5 mm Ø1.95"</p> <p>Total no. = 1</p>	<p><b>9</b></p> <p>Ø42mm Ø1.65"</p> <p>Total no. = 1</p>	<p><b>10</b></p> <p>95 mm 3.74"</p> <p>Total no. = 1</p>

**NOTE:**

When replacing the packing gland (pos. 7) in SCA-X or SCA the aluminium gasket (pos. 2) is needed.

Data sheet – Spare parts and accessories

Overhaul kit | Code number 148B6163  
SCA / SCA-X sizes 65



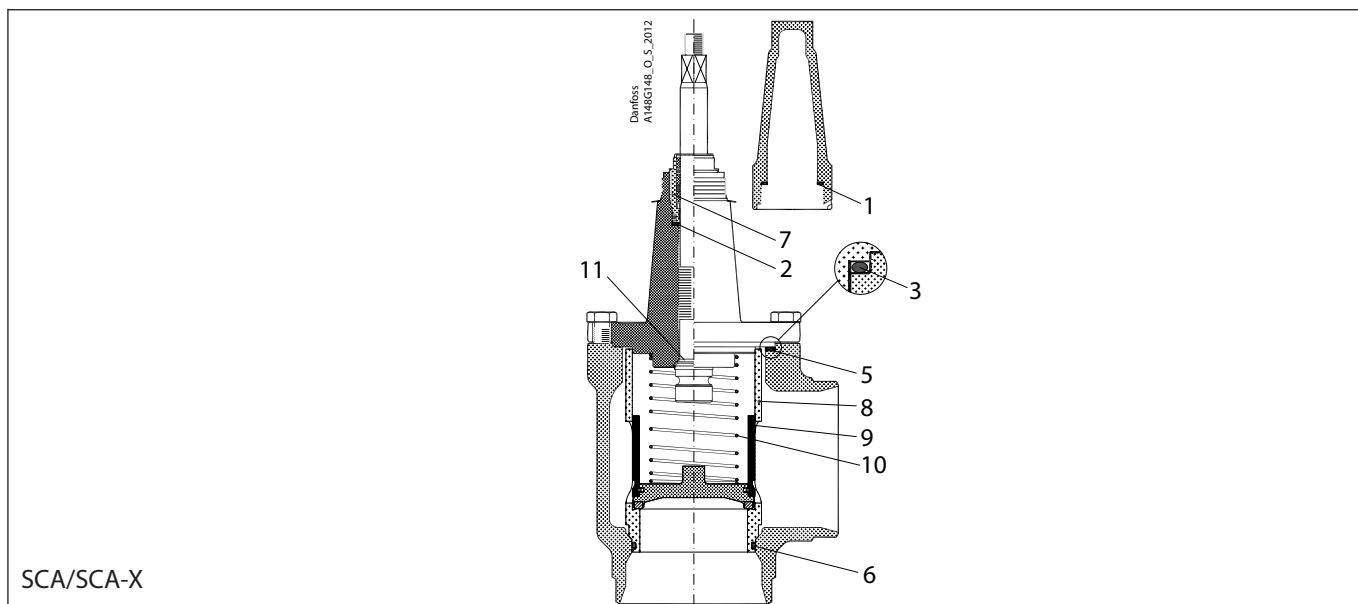
<p><b>1</b></p> <p> = Nylon</p> <p>Total no. = 1</p>	<p><b>2</b></p> <p> = Alu.</p> <p>Total no. = 1</p>	<p><b>3</b></p> <p>Total no. = 1</p>	<p><b>4</b></p> <p>Total no. = 1</p>	<p><b>5</b></p> <p> = Fibre</p> <p>Total no. = 1</p>
<p><b>6</b></p> <p>Total no. = 1</p>	<p><b>7</b></p> <p>Total no. = 1</p>	<p><b>8</b></p> <p>Total no. = 1</p>	<p><b>9</b></p> <p>Total no. = 1</p>	<p><b>10</b></p> <p>Total no. = 1</p>

**NOTE:**  
When replacing the packing gland (pos. 7) in SCA-X or SCA the aluminium gasket (pos. 2) is needed.

Data sheet – Spare parts and accessories

Overhaul kit | Code number 148B6164

SCA / SCA-X sizes 80



SCA/SCA-X

<p><b>1</b></p> <p> = Nylon</p> <p>Total no. = 1</p>	<p><b>2</b></p> <p> = Alu.</p> <p>Total no. = 1</p>	<p><b>3</b></p> <p>Total no. = 1</p>	<p><b>5</b></p> <p> = Fibre</p> <p>Total no. = 1</p>	<p><b>6</b></p> <p>Total no. = 1</p>
<p><b>7</b></p> <p>Total no. = 1</p>	<p><b>8</b></p> <p>Total no. = 1</p>	<p><b>9</b></p> <p>Total no. = 1</p>	<p><b>10</b></p> <p>Total no. = 1</p>	<p><b>11</b></p> <p> = PTFE</p> <p>Total no. = 1</p>

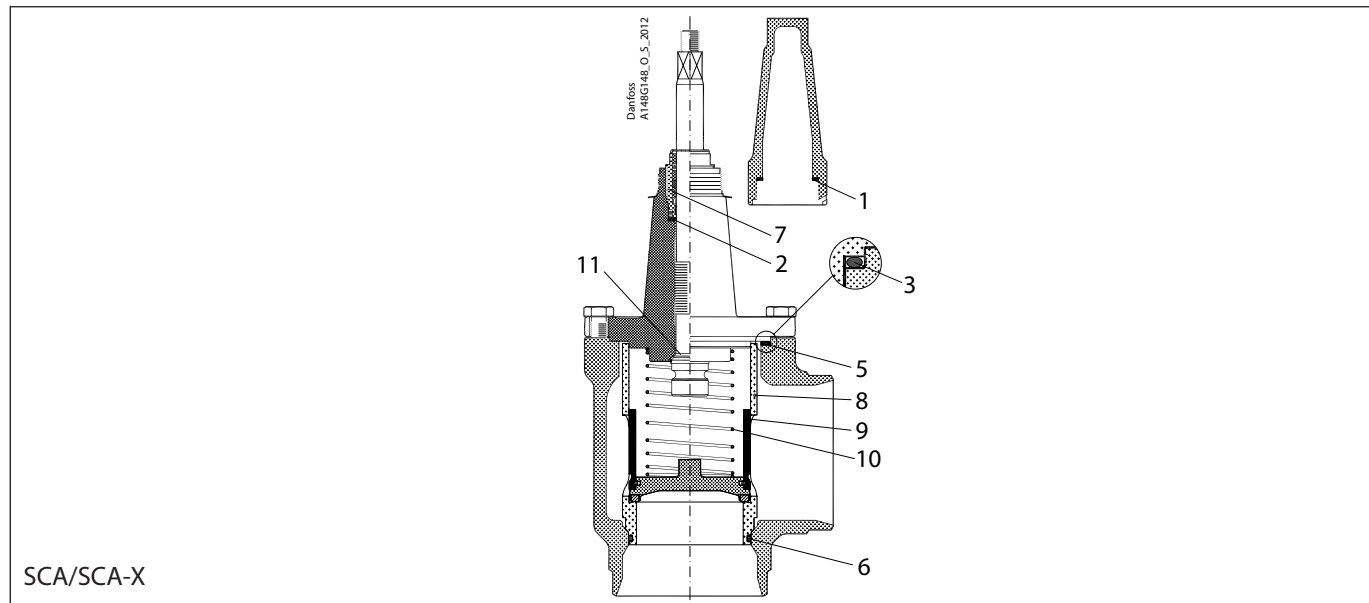
**NOTE:**

When replacing the packing gland (pos. 7) in SCA-X or SCA the aluminium gasket (pos. 2) is needed.



Data sheet – Spare parts and accessories

Overhaul kit | Code number 148B6165  
SCA / SCA-X sizes 100



SCA/SCA-X

<p><b>1</b></p> <p> = Nylon</p> <p>Ø45 mm Ø38 mm</p> <p>Total no. = 1</p>	<p><b>2</b></p> <p> = Alu.</p> <p>Ø31.5 mm Ø24 mm</p> <p>Total no. = 1</p>	<p><b>3</b></p> <p>Ø101 mm Ø98 mm</p> <p>Total no. = 1</p>	<p><b>5</b></p> <p> = Fibre</p> <p>Ø119 mm Ø69 mm</p> <p>Total no. = 1</p>	<p><b>6</b></p> <p>Ø82 mm Ø72 mm</p> <p>Total no. = 1</p>
<p><b>7</b></p> <p>Ø32 mm</p> <p>Total no. = 1</p>	<p><b>8</b></p> <p>Ø99.5 mm Ø92 mm</p> <p>Total no. = 1</p>	<p><b>9</b></p> <p>Ø90 mm Ø54 mm</p> <p>Total no. = 1</p>	<p><b>10</b></p> <p>250 mm 9.84 mm</p> <p>Total no. = 1</p>	<p><b>11</b></p> <p> = PTFE</p> <p>Ø30 mm Ø18 mm</p> <p>Total no. = 1</p>

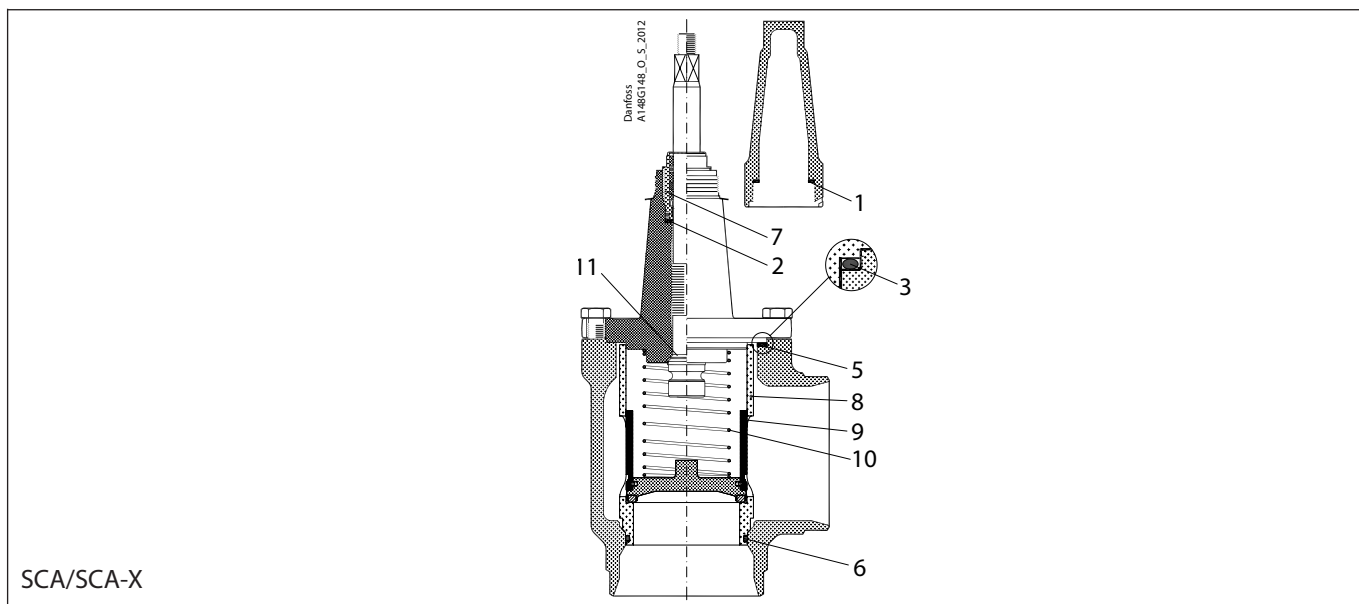
**NOTE:**

When replacing the packing gland (pos. 7) in SCA-X or SCA the aluminium gasket (pos. 2) is needed.

Data sheet – Spare parts and accessories

Overhaul kit | Code number 148B6166

SCA / SCA-X sizes 125



SCA/SCA-X

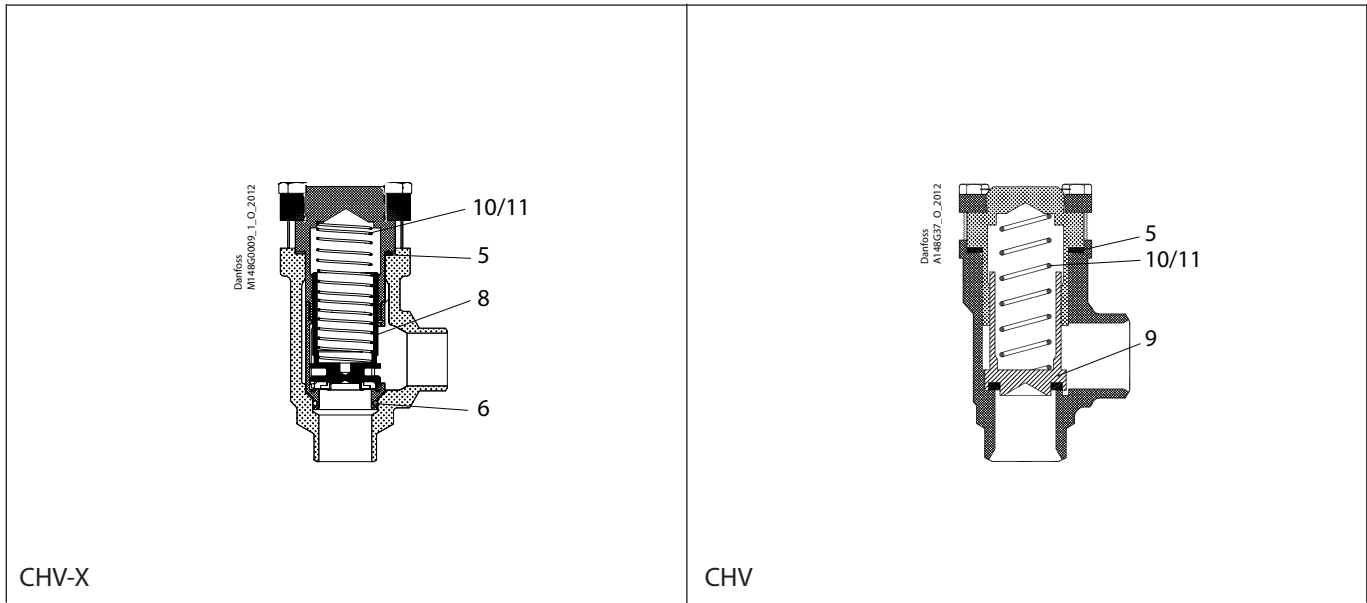
<p><b>1</b></p> <p> = Nylon</p> <p>Total no. = 1</p>	<p><b>2</b></p> <p> = Alu.</p> <p>Total no. = 1</p>	<p><b>3</b></p> <p>Total no. = 1</p>	<p><b>5</b></p> <p> = Fibre</p> <p>Total no. = 1</p>	<p><b>6</b></p> <p>Total no. = 1</p>
<p><b>7</b></p> <p>Total no. = 1</p>	<p><b>8</b></p> <p>Total no. = 1</p>	<p><b>9</b></p> <p>Total no. = 1</p>	<p><b>10</b></p> <p>Total no. = 1</p>	<p><b>11</b></p> <p> = PTFE</p> <p>Total no. = 1</p>

**NOTE:**

When replacing the packing gland (pos. 7) in SCA-X or SCA the aluminium gasket (pos. 2) is needed.

Data sheet – Spare parts and accessories

Overhaul kit | Code number 148B6167  
CHV / CHV-X sizes 15 - 20

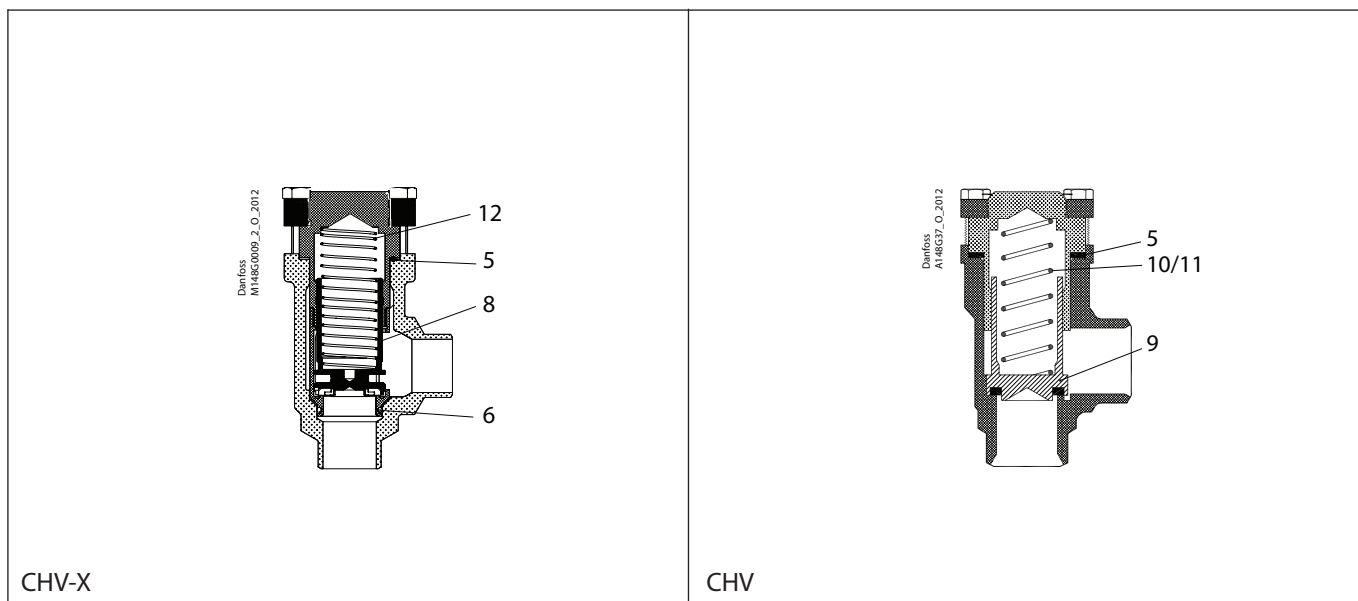


<p><b>5</b></p> <p>Total no. = 1</p>	<p><b>6</b></p> <p>Total no. = 1</p>	<p><b>8</b></p> <p>Total no. = 1</p>	<p><b>9</b></p> <p>Total no. = 1</p>	<p><b>10</b></p> <p>Total no. = 1</p>
<p><b>11</b></p> <p>Total no. = 1</p>				

Data sheet – Spare parts and accessories

Overhaul kit | Code number 148B6168

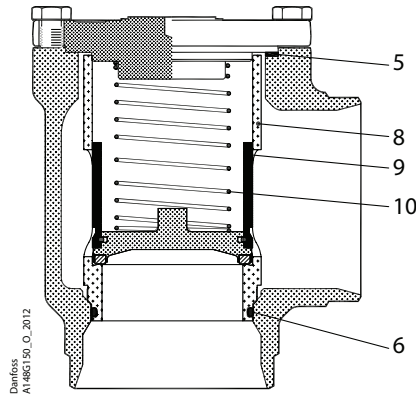
CHV / CHV-X sizes 25 - 40



<p><b>5</b></p> <p>Total no. = 1</p>	<p><b>6</b></p> <p>Total no. = 1</p>	<p><b>8</b></p> <p>Total no. = 1</p>	<p><b>9</b></p> <p>Total no. = 1</p>	<p><b>10</b></p> <p>Total no. = 1</p>
<p><b>11</b></p> <p>Total no. = 1</p>	<p><b>12</b></p> <p>Total no. = 1</p>			

Data sheet – Spare parts and accessories

Overhaul kit | Code number 148B6169  
CHV / CHV-X sizes 50



Danfoss  
A1486190\_0\_2012

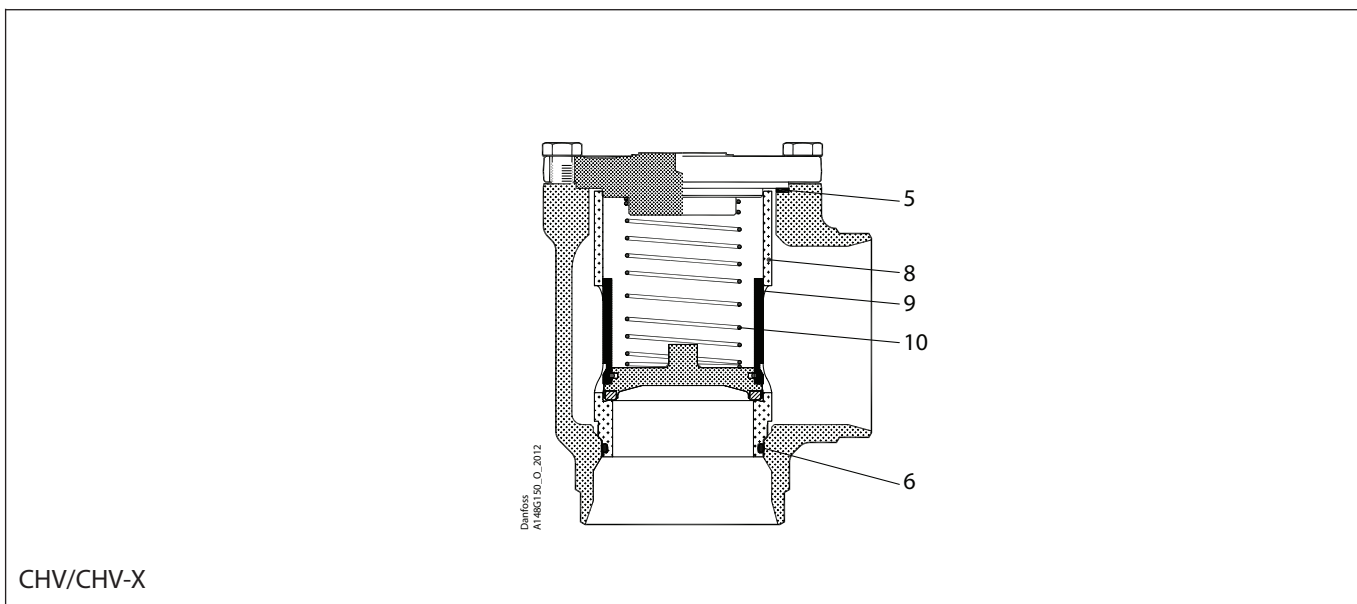
CHV/CHV-X

<p><b>5</b></p> <p>= Fibre</p> <p>Ø63.5 mm Ø2.5"</p> <p>Total no. = 1</p>	<p><b>6</b></p> <p>Ø41 mm Ø1.61"</p> <p>Total no. = 1</p>	<p><b>8</b></p> <p>Ø49.5 mm Ø1.95"</p> <p>Total no. = 1</p>	<p><b>9</b></p> <p>Ø42 mm Ø1.65"</p> <p>Total no. = 1</p>	<p><b>10</b></p> <p>95 mm 3.74"</p> <p>Total no. = 1</p>
---	---	---	---	--

Data sheet – Spare parts and accessories

Overhaul kit | Code number 148B6170

CHV / CHV-X sizes 65

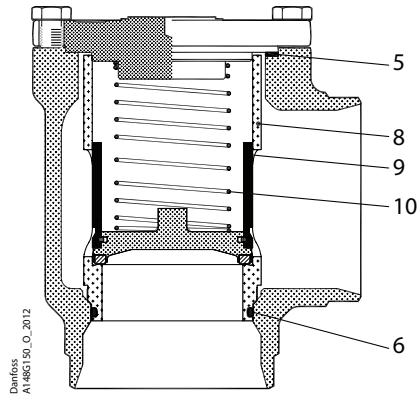


CHV/CHV-X

<p><b>5</b></p> <p>= Fibre</p> <p>Total no. = 1</p>	<p><b>6</b></p> <p>Total no. = 1</p>	<p><b>8</b></p> <p>Total no. = 1</p>	<p><b>9</b></p> <p>Total no. = 1</p>	<p><b>10</b></p> <p>Total no. = 1</p>
---	--------------------------------------	--------------------------------------	--------------------------------------	---------------------------------------

Data sheet – Spare parts and accessories

Overhaul kit | Code number 148B6171  
CHV / CHV-X sizes 80



Danfoss  
A1486190\_0\_2012

CHV/CHV-X

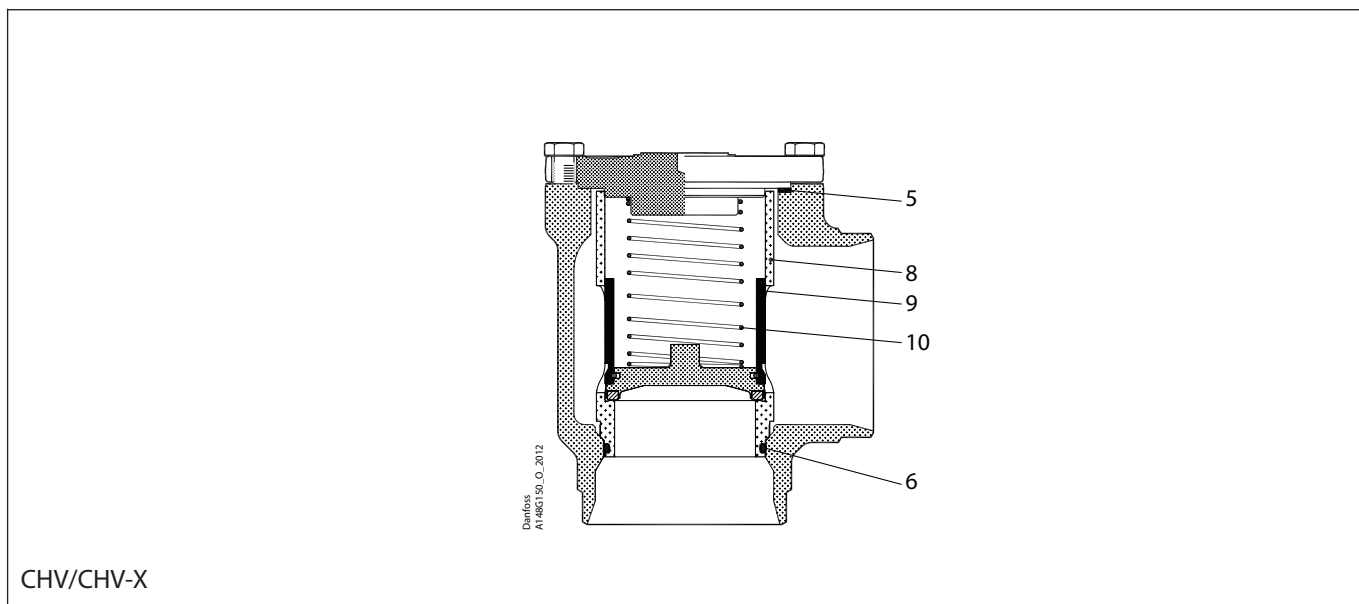
<p><b>5</b></p> <p>= Fibre</p> <p>Ø86 mm Ø3.78"</p> <p>Total no. = 1</p>	<p><b>6</b></p> <p>Ø63 mm Ø2.48"</p> <p>Total no. = 1</p>	<p><b>8</b></p> <p>Ø79.5 mm Ø3.13"</p> <p>Total no. = 1</p>	<p><b>9</b></p> <p>Ø70 mm Ø2.76"</p> <p>Total no. = 1</p>	<p><b>10</b></p> <p>160 mm 6.3"</p> <p>Total no. = 1</p>
--	---	---	---	--



Data sheet – Spare parts and accessories

Overhaul kit | Code number 148B6172

CHV / CHV-X sizes 100

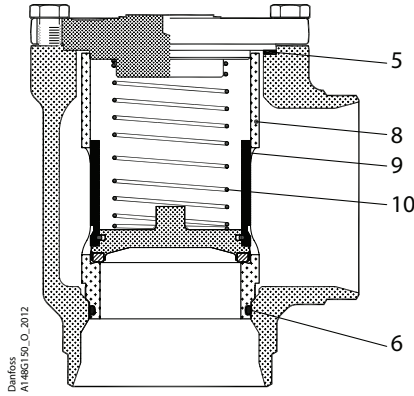


CHV/CHV-X

<p><b>5</b></p> <p>= Fibre</p> <p>Total no. = 1</p>	<p><b>6</b></p> <p>Total no. = 1</p>	<p><b>8</b></p> <p>Total no. = 1</p>	<p><b>9</b></p> <p>Total no. = 1</p>	<p><b>10</b></p> <p>Total no. = 1</p>
---	--------------------------------------	--------------------------------------	--------------------------------------	---------------------------------------

Data sheet – Spare parts and accessories

Overhaul kit | Code number 148B6173  
CHV / CHV-X sizes 125



Danfoss  
A1486190\_0\_2012

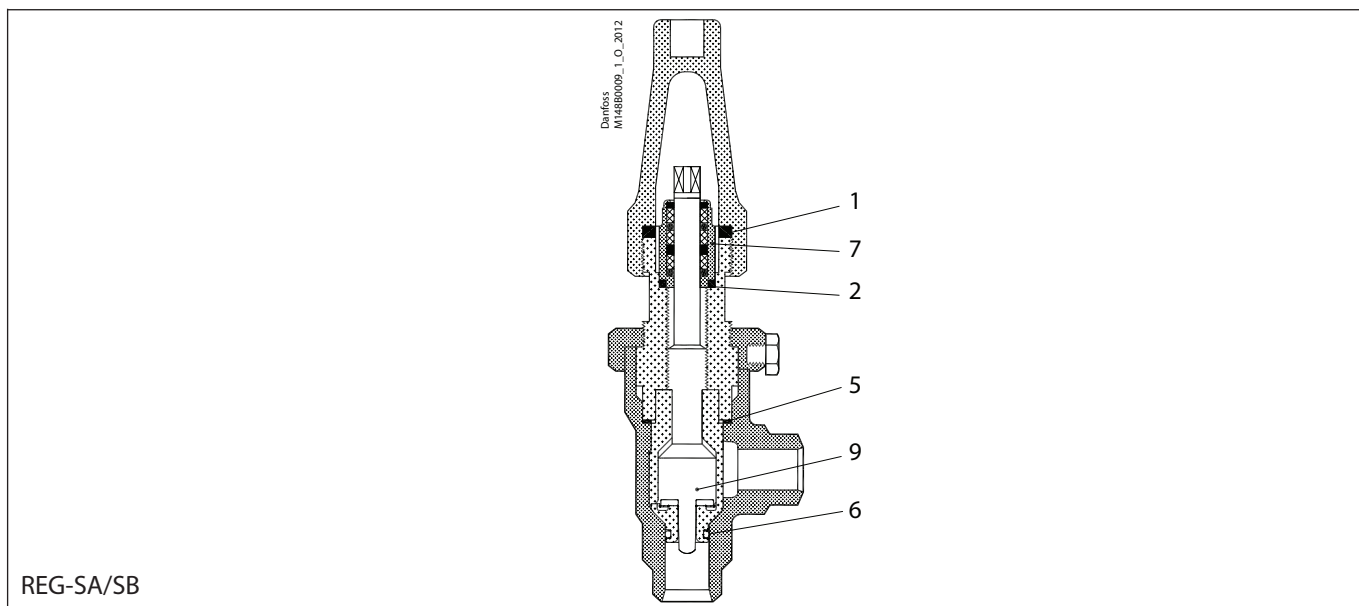
CHV/CHV-X

<p><b>5</b></p> <p>= Fibre</p> <p>Ø145 mm Ø5.71 mm</p> <p>Total no. = 1</p>	<p><b>6</b></p> <p>Ø101 mm Ø3.98 mm</p> <p>Total no. = 1</p>	<p><b>8</b></p> <p>Ø125 mm 4.9"</p> <p>Total no. = 1</p>	<p><b>9</b></p> <p>Ø110 mm Ø4.33"</p> <p>Total no. = 1</p>	<p><b>10</b></p> <p>310 mm 12.2"</p> <p>Total no. = 1</p>
---	--	--	--	---

Data sheet – Spare parts and accessories

Overhaul kit | Code number 148B6174

REG-SA/SB size 10



REG-SA/SB

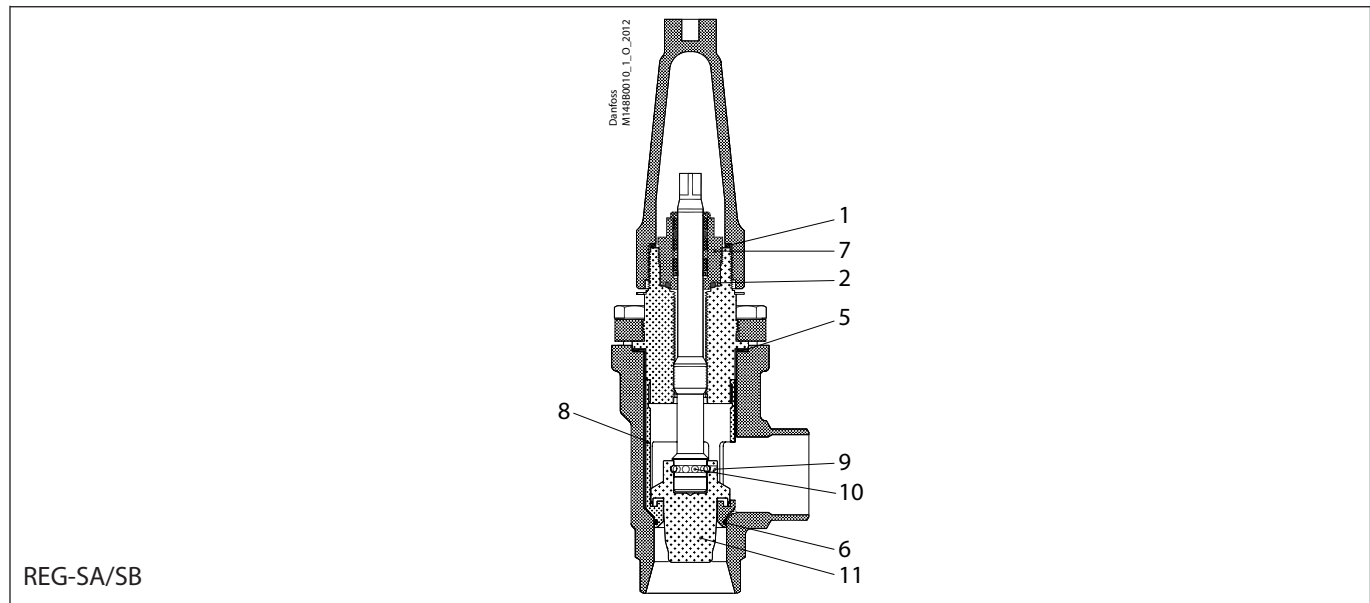
<p><b>1</b></p> <p> = Nylon</p> <p>Ø21 mm Ø0.827"</p> <p>Total no. = 1</p>	<p><b>2</b></p> <p> = Alu.</p> <p>Ø14 mm Ø0.531"</p> <p>Total no. = 1</p>	<p><b>5</b></p> <p> = Alu.</p> <p>Ø22 mm Ø0.866"</p> <p>Total no. = 1</p>	<p><b>9</b></p> <p>11.7 mm 0.461"</p> <p>Total no. = 1</p>	<p><b>9</b></p> <p>10.8 mm 0.425"</p> <p>Total no. = 1</p>
<p><b>6</b></p> <p>Ø8 mm Ø0.315"</p> <p>Total no. = 1</p>	<p><b>7</b></p> <p>Ø14 mm Ø0.551"</p> <p>Total no. = 1</p>			

**NOTE:**

When replacing the packing gland (pos. 7) in REG-SA/B or REG the aluminium gasket (pos. 2) is needed.

Data sheet – Spare parts and accessories

**Overhaul kit | Code number 148B6175**  
**REG-SA/SB size 15-20**



REG-SA/SB

<p><b>1</b></p> <p> = Nylon</p> <p>Total no. = 1</p>	<p><b>2</b></p> <p> = Alu.</p> <p>Total no. = 1</p>	<p><b>5</b></p> <p> = Fibre</p> <p>Total no. = 1</p>	<p><b>6</b></p> <p>Total no. = 1</p>	<p><b>7</b></p> <p>Total no. = 1</p>
<p><b>8</b></p> <p>Total no. = 1</p>	<p><b>9</b></p> <p>Total no. = 1</p>	<p><b>10</b></p> <p>Total no. = 10</p>	<p><b>11</b></p> <p>Total no. = 1</p>	<p><b>11</b></p> <p>Total no. = 1</p>
<p><b>12</b></p> <p>Total no. = 1</p>				

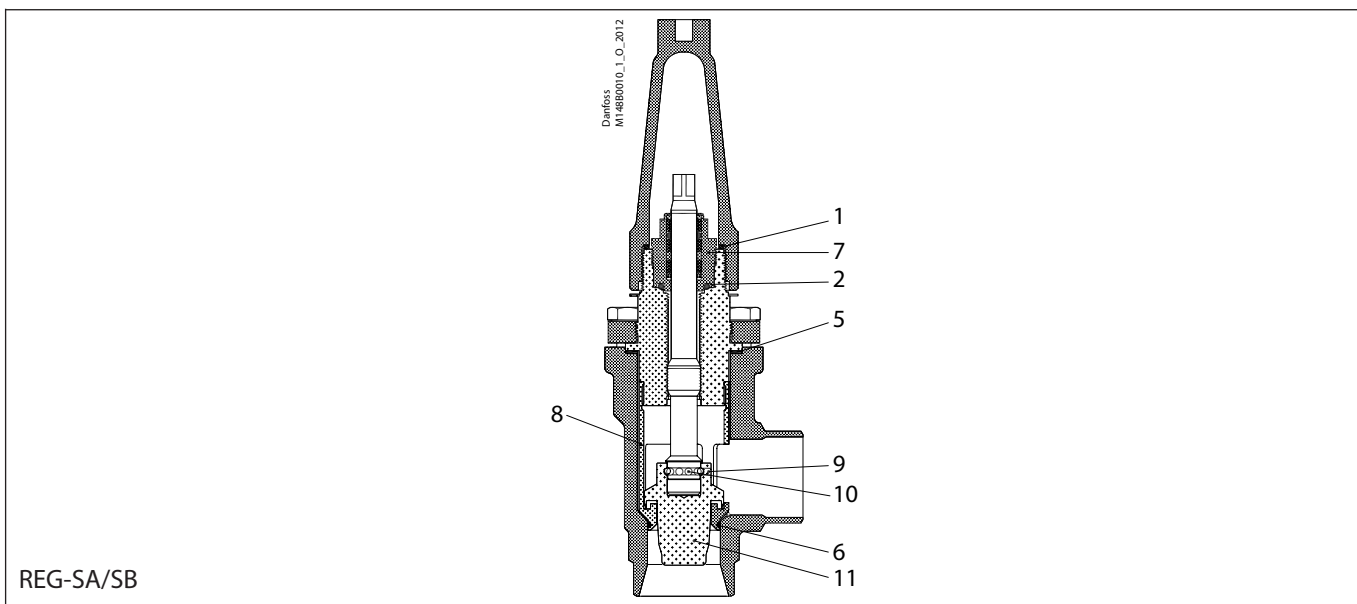
**NOTE:**

When replacing the packing gland (pos. 7) in REG-SA/B or REG the aluminium gasket (pos. 2) is needed.

Data sheet – Spare parts and accessories

Overhaul kit | Code number 148B6176

REG-SA/SB size 25-40



REG-SA/SB

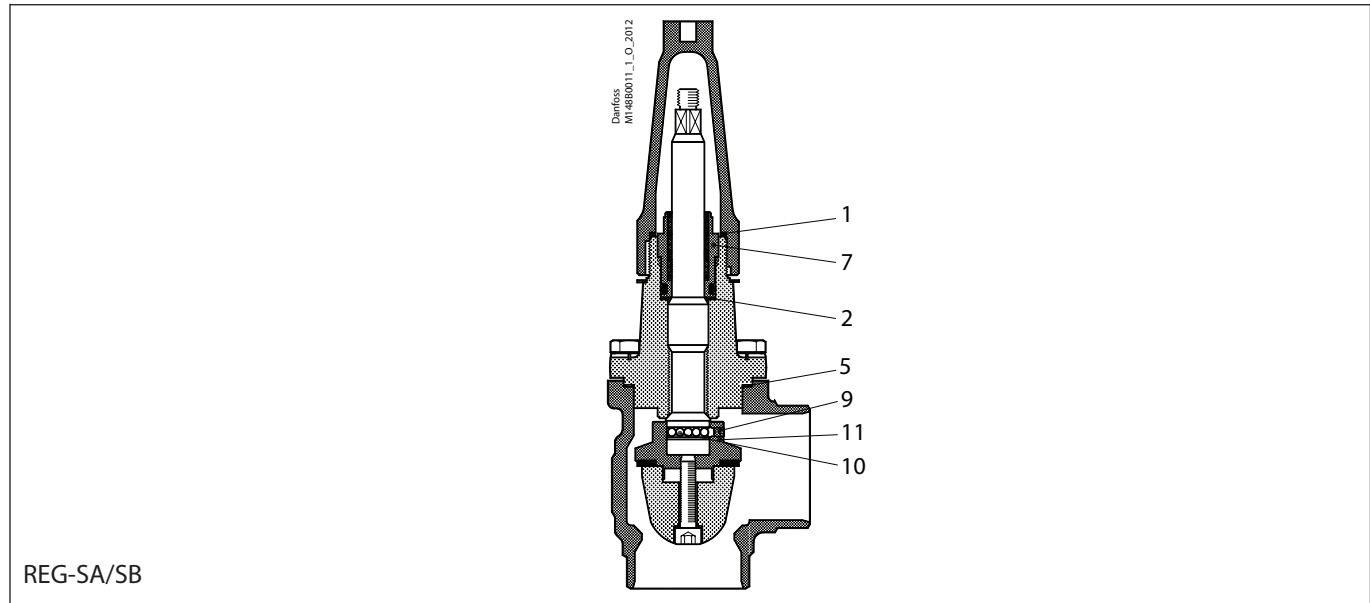
<p><b>1</b></p> <p> = Nylon</p> <p>Total no. = 1</p>	<p><b>2</b></p> <p> = Alu.</p> <p>Total no. = 1</p>	<p><b>5</b></p> <p> = Fibre</p> <p>Total no. = 1</p>	<p><b>6</b></p> <p>Total no. = 1</p>	<p><b>7</b></p> <p>Total no. = 1</p>
<p><b>8</b></p> <p>Total no. = 1</p>	<p><b>9</b></p> <p>Total no. = 1</p>	<p><b>10</b></p> <p>Total no. = 14</p>	<p><b>11</b></p> <p>Total no. = 1</p>	<p><b>11</b></p> <p>Total no. = 1</p>
<p><b>12</b></p> <p>Total no. = 1</p>				

**NOTE:**

When replacing the packing gland (pos. 7) in REG-SA/B or REG the aluminium gasket (pos. 2) is needed.

Data sheet – Spare parts and accessories

Overhaul kit | Code number 148B6177  
REG-SA/SB size 50



REG-SA/SB

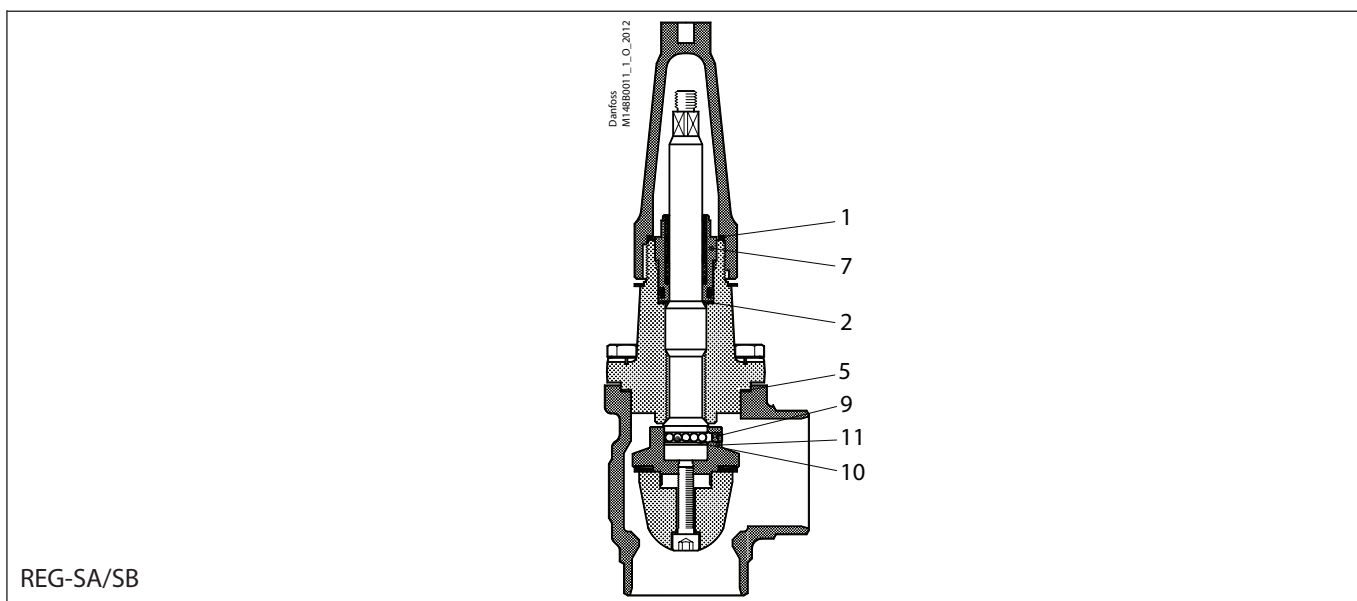
<p><b>1</b></p> <p> = Nylon</p> <p>Total no. = 1</p>	<p><b>2</b></p> <p> = Alu.</p> <p>Total no. = 1</p>	<p><b>5</b></p> <p> = Fibre</p> <p>Total no. = 1</p>	<p><b>7</b></p> <p>Total no. = 1</p>	<p><b>9</b></p> <p>Total no. = 1</p>
<p><b>10</b></p> <p>Total no. = 14</p>	<p><b>11</b></p> <p>Total no. = 1</p>	<p><b>12</b></p> <p>Total no. = 1</p>		

**NOTE:**  
When replacing the packing gland (pos. 7) in REG-SA/B or REG the aluminium gasket (pos. 2) is needed.

Data sheet – Spare parts and accessories

Overhaul kit | Code number 148B6178

REG-SA/SB size 65



REG-SA/SB

<p><b>1</b></p> <p> = Nylon</p> <p>Total no. = 1</p>	<p><b>2</b></p> <p> = Alu.</p> <p>Total no. = 1</p>	<p><b>5</b></p> <p> = Fibre</p> <p>Total no. = 1</p>	<p><b>7</b></p> <p>Total no. = 1</p>	<p><b>9</b></p> <p>Total no. = 1</p>
<p><b>10</b></p> <p>Total no. = 14</p>	<p><b>11</b></p> <p>Total no. = 1</p>	<p><b>12</b></p> <p>Total no. = 1</p>		

**NOTE:**

When replacing the packing gland (pos. 7) in REG-SA/B or REG the aluminium gasket (pos. 2) is needed.



## Data sheet – Spare parts and accessories

### SVA, SVA-ST, SVA-LT, SVA-HS, SVA-S, SVA-L, REG, REG-SA/SB, SCA, SCA-X and FIA Accessories

**Cap incl. gasket** for SVA, SVA-ST, SVA-LT, SVA-HS, SVA-S, SVA-L, REG, REG-SA/SB, SCA and SCA-X

	Valve size	Code number
	3-10	148B4074
	15-20	148B4075
	25-65	148B4076
	80-100	148B4077
	125-150	148B4078
	200	148B4079

**Please note:** All accessory caps are red.

**Hand wheel incl. nut and washer** for SVA, SVA-ST, SVA-LT, SVA-HS, SVA-S, SVA-L, REG, REG-SA/SB, SCA and SCA-X

	Valve size	Code number
	3-10	148B4073
	15-20	148B4060
	25-40	148B4062
	50-65	148B4064
	80	148B4065
	100	148B4066
	125-150	148B4067
	200	148B4068

**Spring** for SCA, SCA-X, CHV and CHV-X

	Valve size	0.04 bar / 0.58 psi Code number	0.3 bar / 4.35 psi Code number	
	15-20	148G3204	148G3206	
	25-40*	148G3205	148G3207	
	25-40**	148B6180	148B6179	
	50	148G3475	148G3480	
	65	148G3476	148G3481	
	80	148G3477	148G3482	
	<i>Special spring for horizontal installation:</i>			
		Valve size	Code number	
	80	148B6181		
	100	148B6182		

\* Before Nov. 2012

\*\* After Nov. 2012

**Gasket for housing/top cover** for SVA-HS, SVA-S, SVA-L and FIA

	Valve / filter size	Code number
	15-20	148B4153
	25-40	148B4154
	50	148B4155
	65	148B4156
	80	148B4157
	100	148B4158
	125	148B4159
	150	148B4160
200	148B4161	

<b>Grease for packing gland</b>	All types and sizes	148H3445
---------------------------------	---------------------	----------

**Replacement kits\* for R717 Ammonia Heat Pump\*\* and R1270 Propylene applications** for SCA-X, CHV-X sizes 15-125 and REG SA/SB sizes 10-40

	Valve size	R717 Heat Pump	R1270 Propylene
	10	148B6084	148B6085
	15	148B6070	148B6077
	20	148B6070	148B6077
	25	148B6071	148B6078
	32	148B6071	148B6078
	40	148B6071	148B6078
	50	148B6072	148B6079
	65	148B6073	148B6080
	80	148B6074	148B6081
	100	148B6075	148B6082
	125	148B6076	148B6083

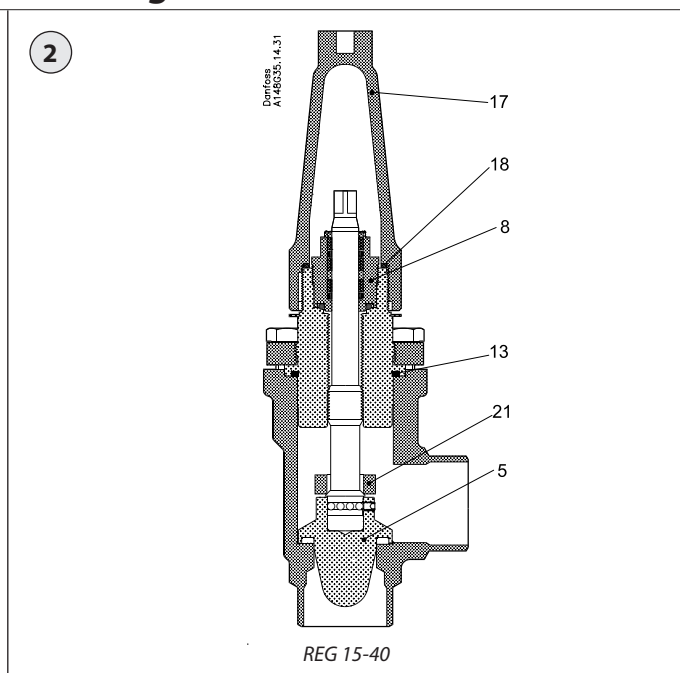
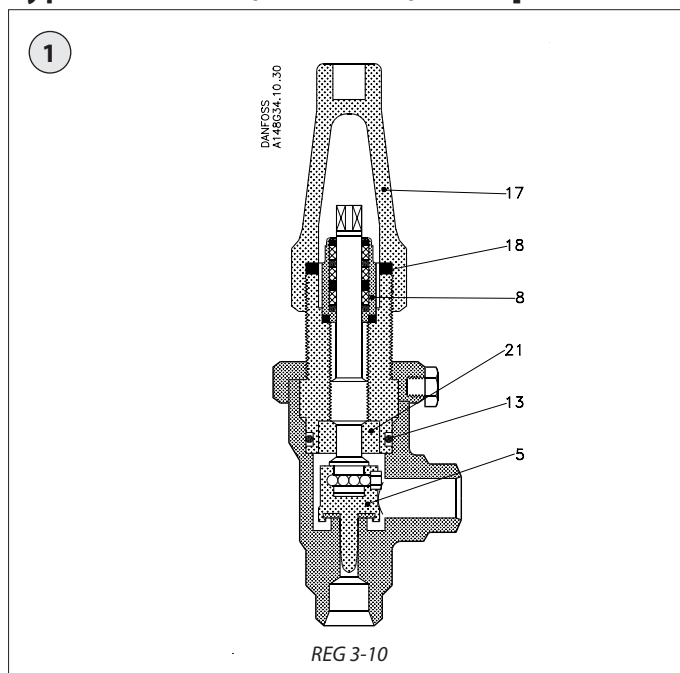
\* Not needed for SVA, FIA and REG50/65

\*\* Replacement kits for R717 Ammonia Heat Pump is applicable for continuous operating temperature between +100°C to 150°C (212°F to 302°F)

Data sheet – Spare parts and accessories

Hand regulating valves

Type REG 3-40 (1/8-1½ in.) with previous cone design



REG 3-10 (1/8 - 3/8 in.) - fig. 1

Description	Pos. #	Code no. For cone number (*)
<b>Repair kit, complete set of gaskets</b>		
Cone complete incl. steel balls and Allen screw	5	(1) 2453+035 (2) 2453+036 (3) 2453+037
Gaskets complete for packing gland	8a	
O-ring for housing/bonnet	13	
Gasket for cap	18	
Distance ring	21	
Allen key	-	
<b>Cap incl. gasket</b>		
Cap incl. gasket	17	148B4074

REG 25-40 (1 - 1½ in.) - fig. 2

Description	Pos. #	Code no. For cone number (*)
<b>Spare part kit, for bonnet and cap (dismounting set)</b>		
O-ring for housing/bonnet	13	148B4008
Cap incl. gasket	17	
Gasket for cap	18	
<b>Repair kit, complete set of gaskets</b>		
Cone complete incl. steel balls and Allen screw	5	(8) 2453+042 (9) 2453+043 (10) 2453+044
Gaskets complete for packing gland	8a	
O-ring for housing/bonnet	13	
Gasket for cap	18	
Distance ring	21	
Allen key	-	
<b>Packing gland incl. gaskets (with O-rings)</b>		
Packing gland incl. gaskets	8	148B4032
<b>Cap incl. gasket</b>		
Cap incl. gasket	17	148B4076

REG 15-25 (½ - 1 in.) - fig. 2

Description	Pos. #	Code no. For cone number (*)
<b>Spare part kit, for bonnet and cap (dismounting set)</b>		
O-ring for housing/bonnet	13	148B4053
Cap incl. gasket	17	
Gasket for cap	18	
<b>Repair kit, complete set of gaskets</b>		
Cone complete incl. steel balls and Allen screw	5	(4) 2453+038 (5) 2453+039 (6) 2453+040 (7) 2453+041
Gaskets complete for packing gland	8a	
O-ring for housing/bonnet	13	
Gasket for cap	18	
Distance ring	21	
Allen key	-	
<b>Packing gland incl. gaskets (with O-rings)</b>		
Packing gland incl. gaskets	8	148B4056
<b>Cap incl. gasket</b>		
Cap incl. gasket	17	148B4075

All types

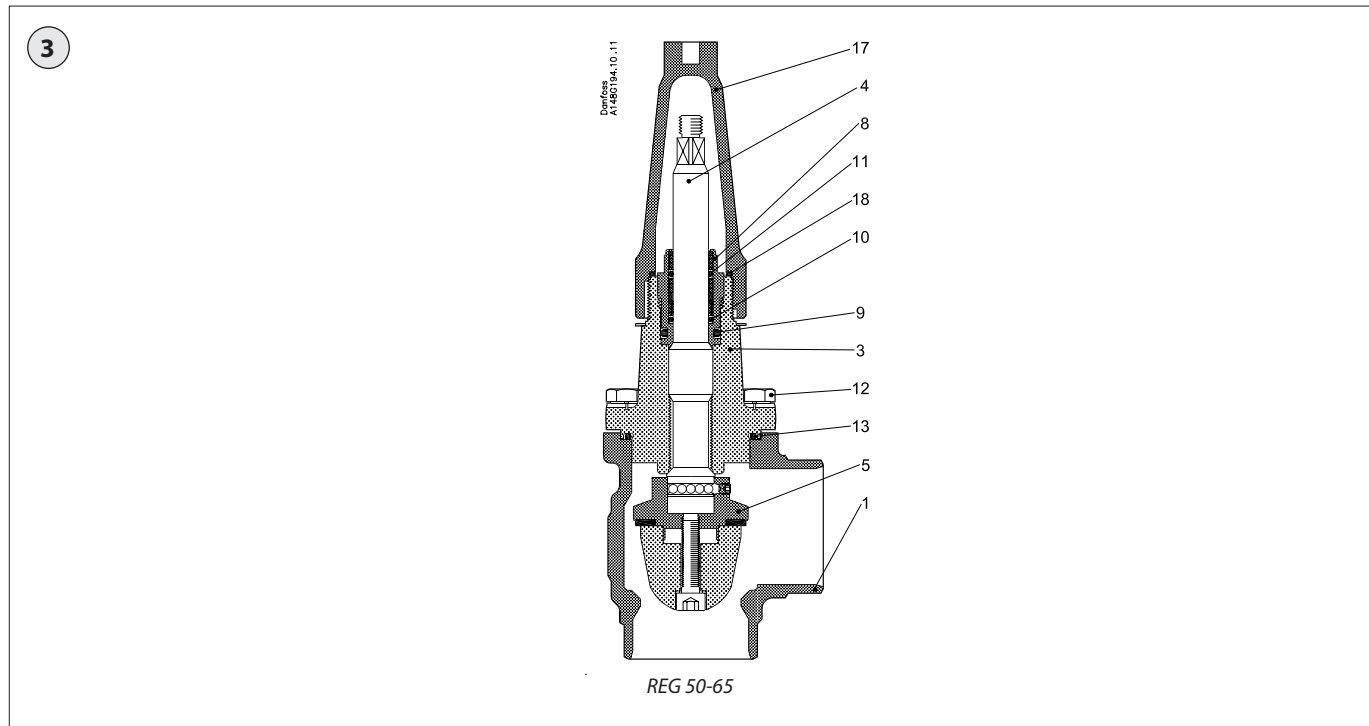
Description	Code no.
<b>Grease for packing gland (tube)</b>	
Grease for packing gland (tube)	148H3445

\* Note: Cone no. equal to last digit in type designation (e.g. REG 15 A XXn, n = cone no.)

Data sheet – Spare parts and accessories

Hand regulating valves

Type REG 50-65 (2 - 2½ in.) with previous cone design



REG 50 (2 in.) - fig. 3

Description	Pos. #	Code no. For cone number (*)
<b>Repair kit, complete set of gaskets</b>		
Cone complete incl. steel balls and Allen screw	5	(11) 148G3197
Packing gland incl. gaskets	8	
O-ring for housing / bonnet	13	
Gasket for cap	18	
Allen key	-	
<b>Cap incl. gasket</b>		
Cap incl. gasket	17	148B4076

REG 65 (2½ in.) - fig. 3

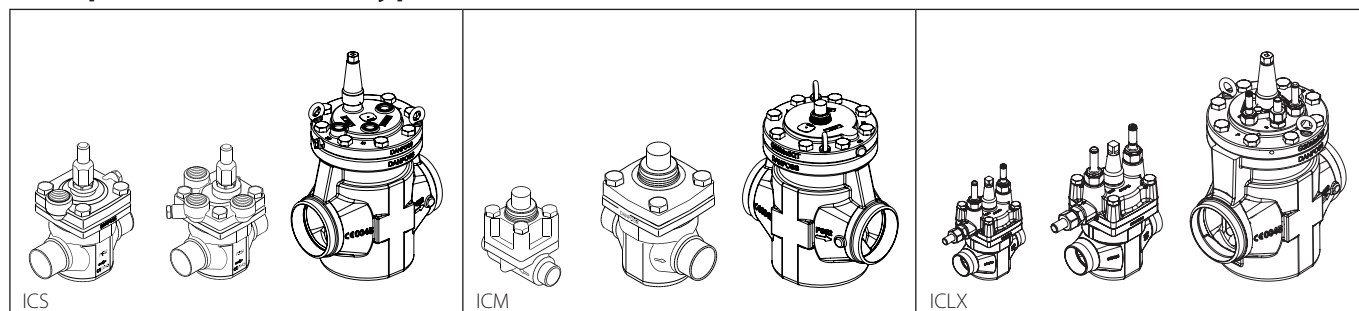
Description	Pos. #	Code no.
<b>Spare part kit, for bonnet and cap (dismounting set)</b>		
O-ring for housing/bonnet	13	148B4010
Gasket for cap	18	
<b>Cap incl. gasket</b>		
Cap incl. gasket	17	148B4076

All types

Description	Code no.
<b>Grease for packing gland (tube)</b>	
Grease for packing gland (tube)	148H3445

Data sheet – Spare parts and accessories

**Pilot operated servo valve, type ICS | Motor operated valve, type ICM |  
2-step solenoid valve, type ICLX**



Valve type	Size	See details on page #	Code no.
<b>Inspection kits</b>			
ICS, ICM, ICLX	25 <sup>1)</sup>	68	027H2218
	32	69	027H3016
	40	70	027H4014
	50	71	027H5014
	65 / 80	72	027H6016
	100	73	027H7191
	125	74	027H7194
	150	75	027H7196
<b>Repair kits</b>			
ICS, ICLX	25 <sup>2)</sup>	76	027H2219
	32	77	027H3017
	40	78	027H4015
	50	79	027H5015
	65 / 80	80	027H6017
	100	81	027H7192
	125	82	027H7204
ICM	150	83	027H7197
	20	84	027H1190
	100	85	027H7135
	125	86	027H7155
	150	87	027H7175
<b>Overhaul kit, ICS</b>			
ICS	25-5	88	027H2225
	25-10	89	027H2138
	25-15	90	027H3019
	25-20	91	027H3043
	25-25	92	027H3044
	32	93	027H3018
	40	94	027H4016
	50	95	027H5016
	65	96	027H6018
	80	97	027H6028
	100	98	027H7193
	125	99	027H7195
	150	100	027H7198

<sup>1)</sup> ICS and ICM only  
<sup>2)</sup> ICS only

Valve type	Size	See details on page #	Code no.
<b>Overhaul kit, ICM</b>			
ICM	20A	101	027H1180
	20A-33	102	027H1186
	20B	103	027H1181
	20B-66	104	027H1194
	20C	105	027H1182
	25A	106	027H2180
	25B	107	027H2181
	32A	108	027H3180
	32B	109	027H3181
	40A	110	027H4180
	40B	111	027H4181
	50A	112	027H5180
	50B	113	027H5181
	65A	114	027H6180
	65B	115	027H6181
100	116	027H7136	
125	117	027H7156	
150	118	027H7176	
<b>Overhaul kit, ICLX</b>			
ICLX	32	119	027H3204
	40	120	027H4204
	50	121	027H5204
	65 / 80	122	027H6204
	100	123	027H7221
	125	124	027H7222
	150	125	027H7223
<b>Accessories</b>			
for ICS		126	
for ICM		128	
for ICLX		130	

**Inspection kits:**

Contain all gaskets, O-rings and aluminum rings belonging to one valve size. For detailed content, see specific pages mentioned above.

**Repair kits:**

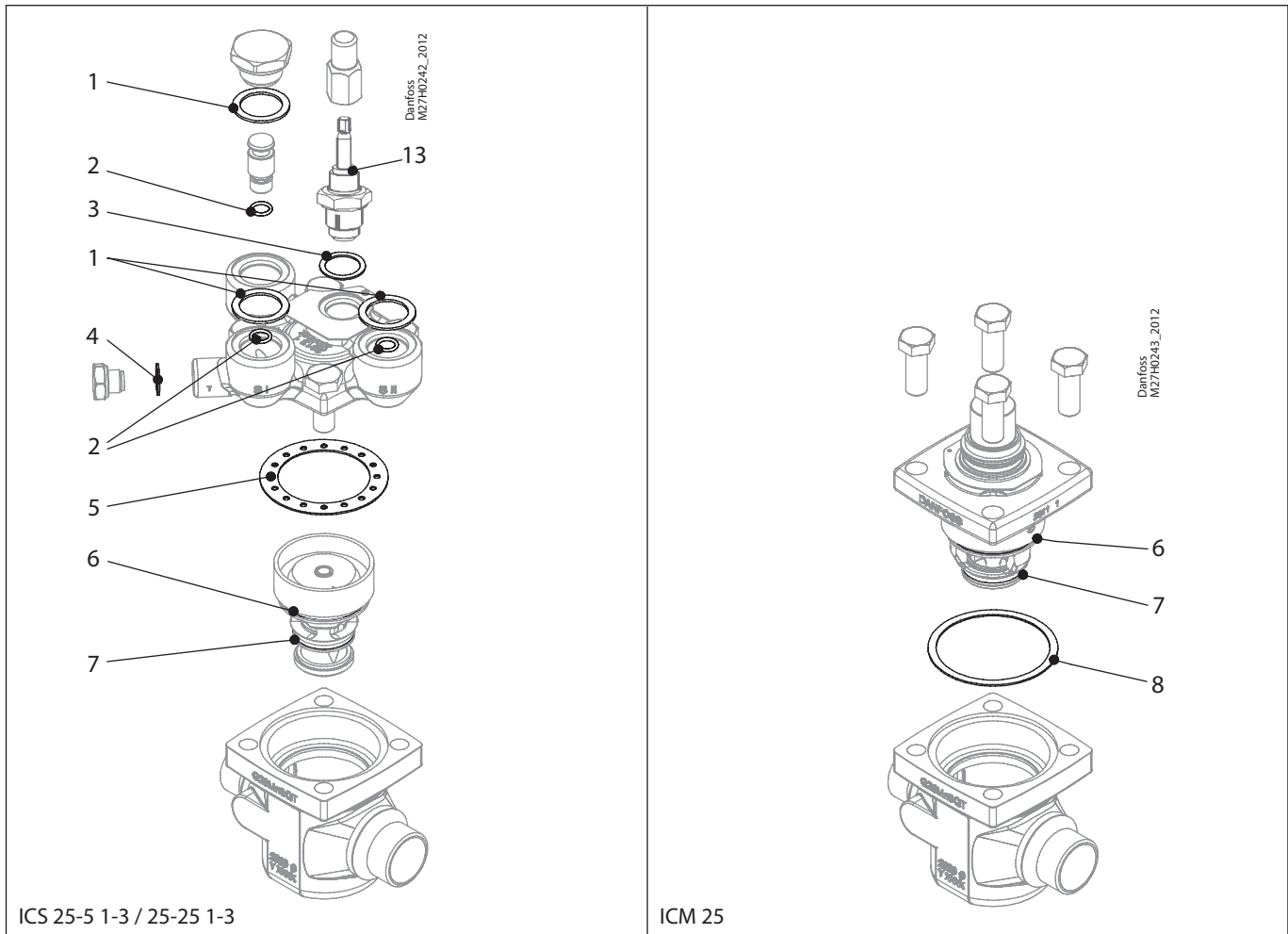
Contain all gaskets, O-rings and aluminum rings belonging to one valve size, valve seat and piston ring. For detailed content, see specific pages mentioned above.

**Overhaul kits:**

Contain all gaskets, O-rings and aluminum rings belonging to 1 valve size and parts what could be damaged or worn out. Where possible, code numbers of complete modules or top parts from parts program are used. For detailed content, see specific pages mentioned above.

Data sheet – Spare parts and accessories

Inspection kit | Code number 027H2218  
ICS, size 25-5 to 25-25 / ICM, size 25



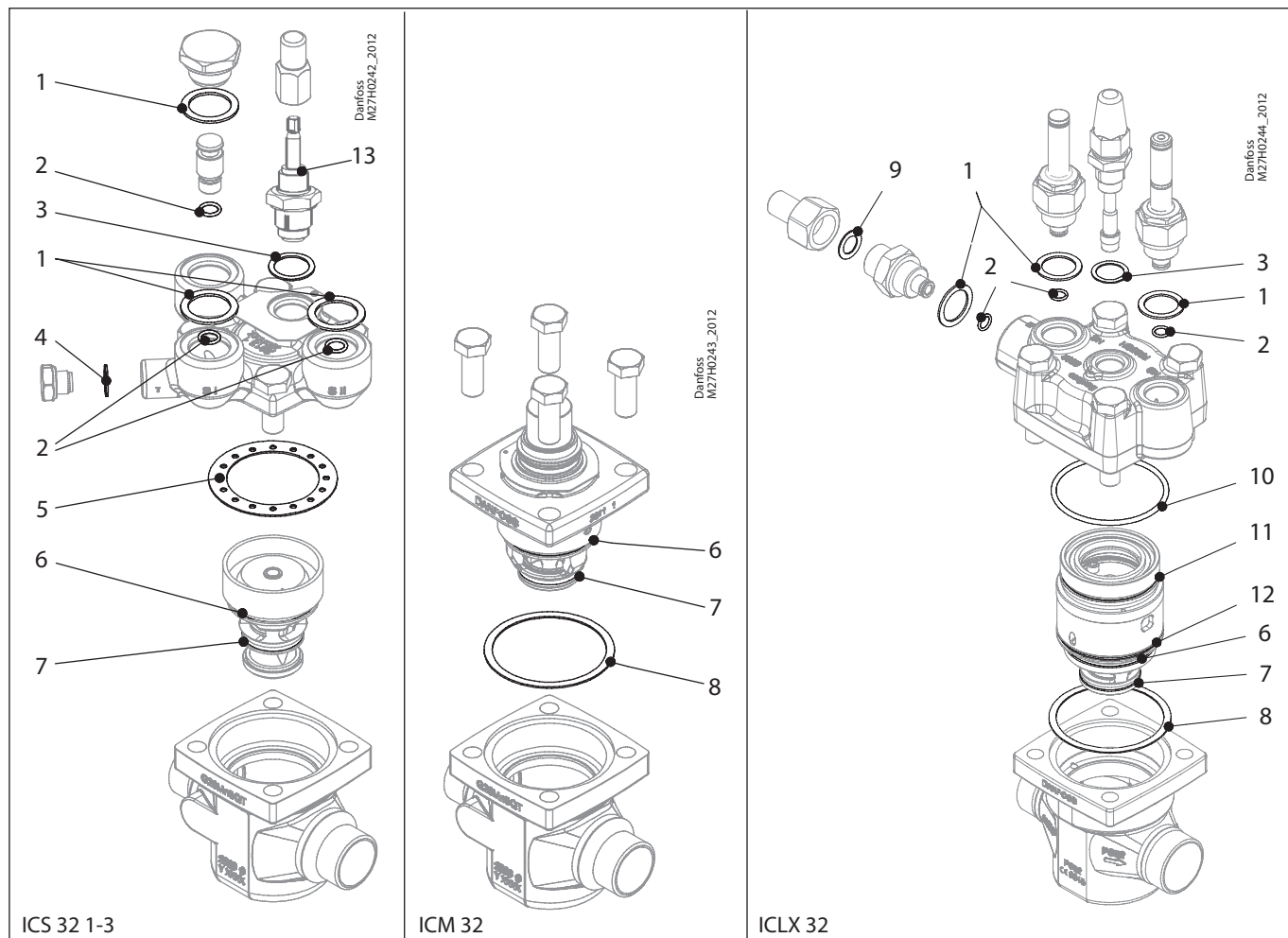
ICS 25-5 1-3 / 25-25 1-3

ICM 25

<p><b>1</b></p> <p> = Fibre</p> <p></p>	<p><b>2</b></p> <p> = Alu.</p> <p></p>	<p><b>3</b></p> <p> = Alu.</p> <p></p>	<p><b>4</b></p> <p> = Alu.</p> <p></p>	<p><b>5</b></p> <p> = Fibre</p> <p></p>
<p><b>6</b></p> <p> = Alu.</p> <p></p>	<p><b>7</b></p> <p> = Alu.</p> <p></p>	<p><b>8</b></p> <p> = Fibre</p> <p></p>	<p><b>13</b></p> <p> = Alu.</p> <p></p>	

Data sheet – Spare parts and accessories

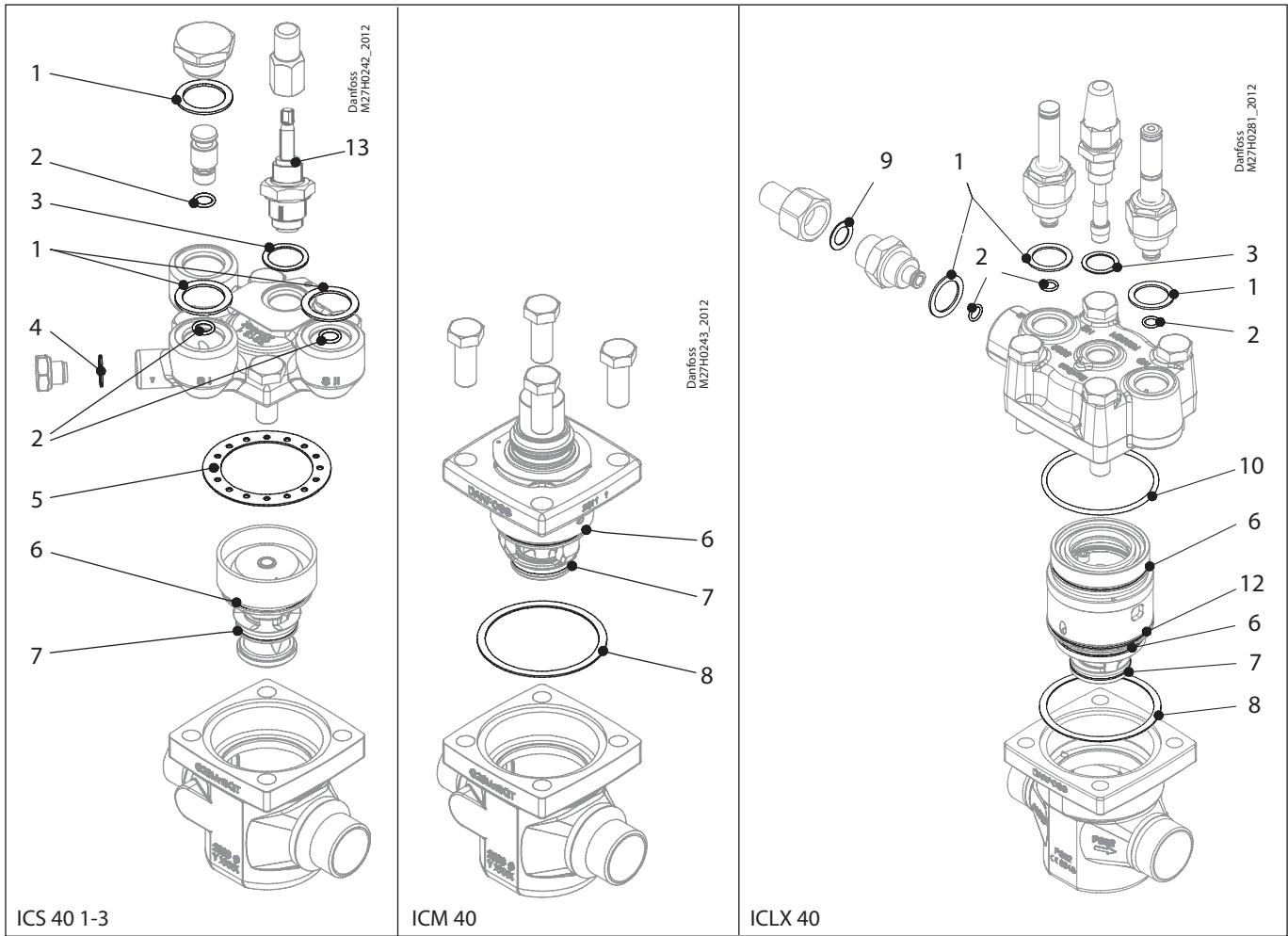
Inspection kit | Code number 027H3016  
ICS, size 32 (1-3) / ICM, size 32 / ICLX, size 32



<p><b>1</b></p> <p> = Fibre</p> <p>Total no. = 3</p>	<p><b>2</b></p> <p> = Al.</p> <p>Total no. = 3</p>	<p><b>3</b></p> <p> = Al.</p> <p>Total no. = 1</p>	<p><b>4</b></p> <p> = Al.</p> <p>Total no. = 1</p>	<p><b>5</b></p> <p> = Fibre</p> <p>Total no. = 1</p>
<p><b>6</b></p> <p> = Al.</p> <p>Total no. = 1</p>	<p><b>7</b></p> <p> = Al.</p> <p>Total no. = 1</p>	<p><b>8</b></p> <p> = Fibre</p> <p>Total no. = 1</p>	<p><b>9</b></p> <p> = Al.</p> <p>Total no. = 1</p>	<p><b>10</b></p> <p> = Al.</p> <p>Total no. = 1</p>
<p><b>11</b></p> <p> = Al.</p> <p>Total no. = 1</p>	<p><b>12</b></p> <p> = Al.</p> <p>Total no. = 1</p>	<p><b>13</b></p> <p> = Fibre</p> <p>Total no. = 1</p>		

Data sheet – Spare parts and accessories

Inspection kit | Code number 027H4014  
ICS, size 40 (1-3) / ICM, size 40 / ICLX, size 40



ICS 40 1-3

ICM 40

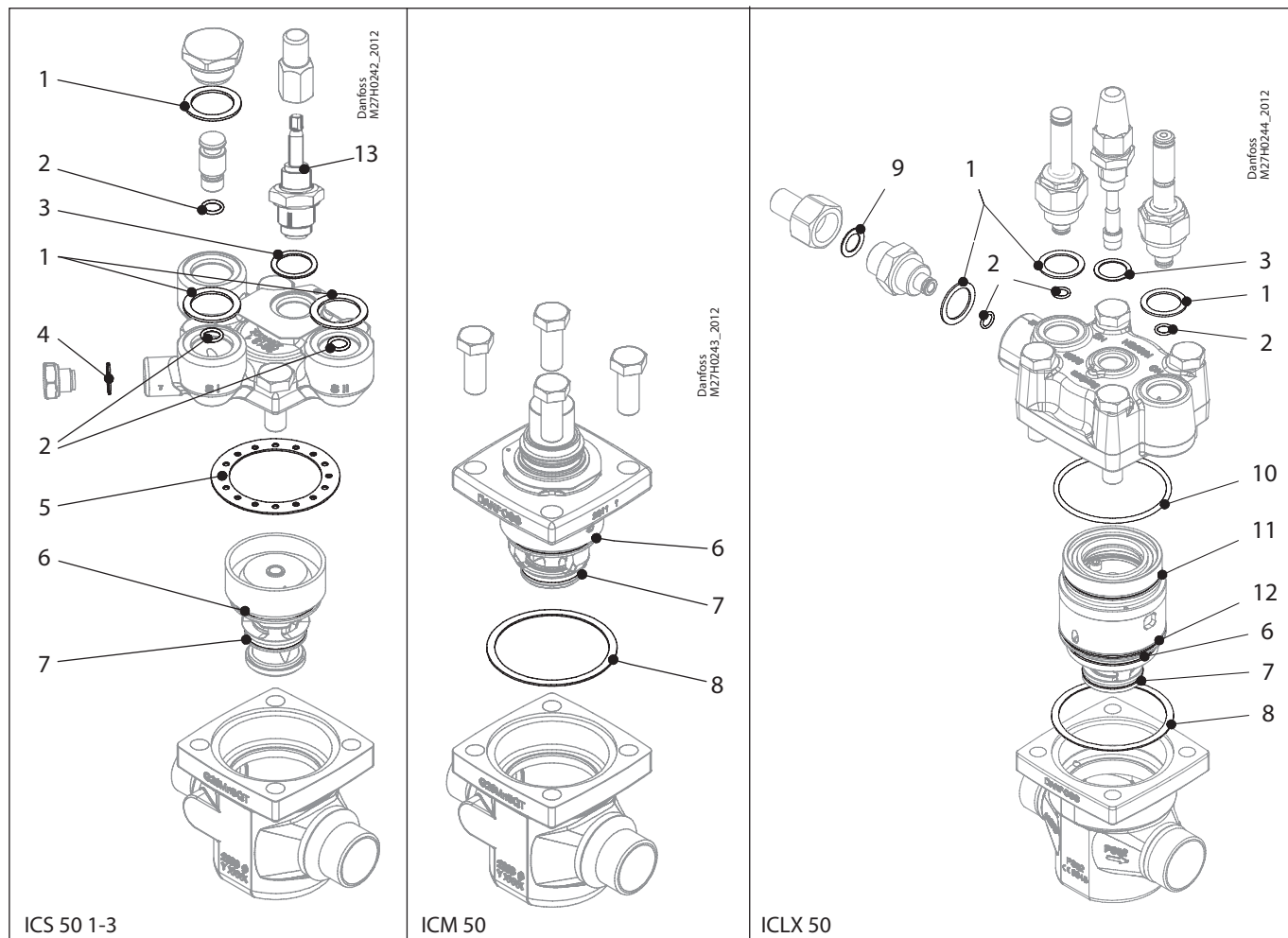
ICLX 40

<p><b>1</b></p> <p> = Fibre</p> <p>Total no. = 3</p>	<p><b>2</b></p> <p></p> <p>Total no. = 3</p>	<p><b>3</b></p> <p> = Alu.</p> <p>Total no. = 1</p>	<p><b>4</b></p> <p> = Alu.</p> <p>Total no. = 1</p>	<p><b>5</b></p> <p> = Fibre</p> <p>Total no. = 1</p>
<p><b>6</b></p> <p>Total no. = 2</p>	<p><b>7</b></p> <p></p> <p>Total no. = 1</p>	<p><b>8</b></p> <p> = Fibre</p> <p>Total no. = 1</p>	<p><b>9</b></p> <p> = Alu.</p> <p>Total no. = 1</p>	<p><b>10</b></p> <p></p> <p>Total no. = 1</p>
<p><b>12</b></p> <p>Total no. = 1</p>	<p><b>13</b></p> <p></p> <p>Total no. = 1</p>			



Data sheet – Spare parts and accessories

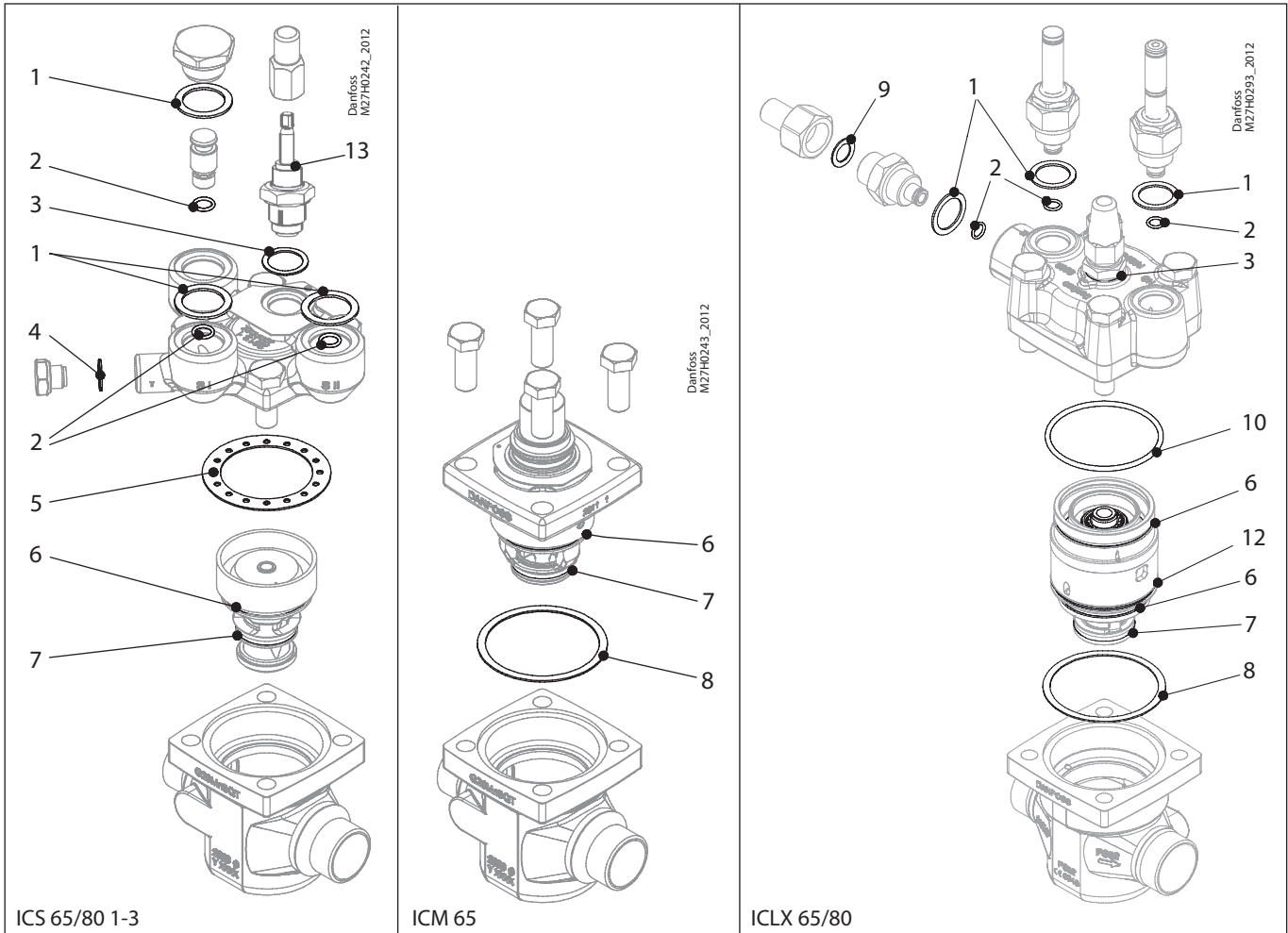
Inspection kit | Code number 027H5014  
ICS, size 50 (1-3) / ICM, size 50 / ICLX, size 50



<p><b>1</b></p> <p> = Fibre</p> <p><math>\varnothing 32.5 \text{ mm}</math> <math>\varnothing 1.28''</math></p> <p>Total no. = 3</p>	<p><b>2</b></p> <p> = Fibre</p> <p><math>\varnothing 9 \text{ mm}</math> <math>\varnothing 0.36''</math></p> <p>Total no. = 3</p>	<p><b>3</b></p> <p> = Alu.</p> <p><math>\varnothing 26 \text{ mm}</math> <math>\varnothing 1.02''</math></p> <p>Total no. = 1</p>	<p><b>4</b></p> <p> = Alu.</p> <p><math>\varnothing 18 \text{ mm}</math> <math>\varnothing 0.7''</math></p> <p>Total no. = 1</p>	<p><b>5</b></p> <p> = Fibre</p> <p><math>\varnothing 108 \text{ mm}</math> <math>\varnothing 4.25''</math></p> <p>Total no. = 1</p>
<p><b>6</b></p> <p> = Fibre</p> <p><math>\varnothing 76 \text{ mm}</math> <math>\varnothing 2.99''</math></p> <p>Total no. = 1</p>	<p><b>7</b></p> <p> = Fibre</p> <p><math>\varnothing 58 \text{ mm}</math> <math>\varnothing 2.28''</math></p> <p>Total no. = 1</p>	<p><b>8</b></p> <p> = Fibre</p> <p><math>\varnothing 108 \text{ mm}</math> <math>\varnothing 4.25''</math></p> <p>Total no. = 1</p>	<p><b>9</b></p> <p> = Alu.</p> <p><math>\varnothing 22 \text{ mm}</math> <math>\varnothing 0.87''</math></p> <p>Total no. = 1</p>	<p><b>10</b></p> <p> = Fibre</p> <p><math>\varnothing 101 \text{ mm}</math> <math>\varnothing 3.98''</math></p> <p>Total no. = 1</p>
<p><b>11</b></p> <p> = Fibre</p> <p><math>\varnothing 82 \text{ mm}</math> <math>\varnothing 3.23''</math></p> <p>Total no. = 1</p>	<p><b>12</b></p> <p> = Fibre</p> <p><math>\varnothing 89 \text{ mm}</math> <math>\varnothing 3.5''</math></p> <p>Total no. = 1</p>	<p><b>13</b></p> <p> = Fibre</p> <p><math>\varnothing 9 \text{ mm}</math> <math>\varnothing 0.36''</math></p> <p>Total no. = 1</p>		

Data sheet – Spare parts and accessories

Inspection kit | Code number 027H6016  
 ICS, size 65/80 (1-3) / ICM, size 65 / ICLX, size 65/80



ICS 65/80 1-3

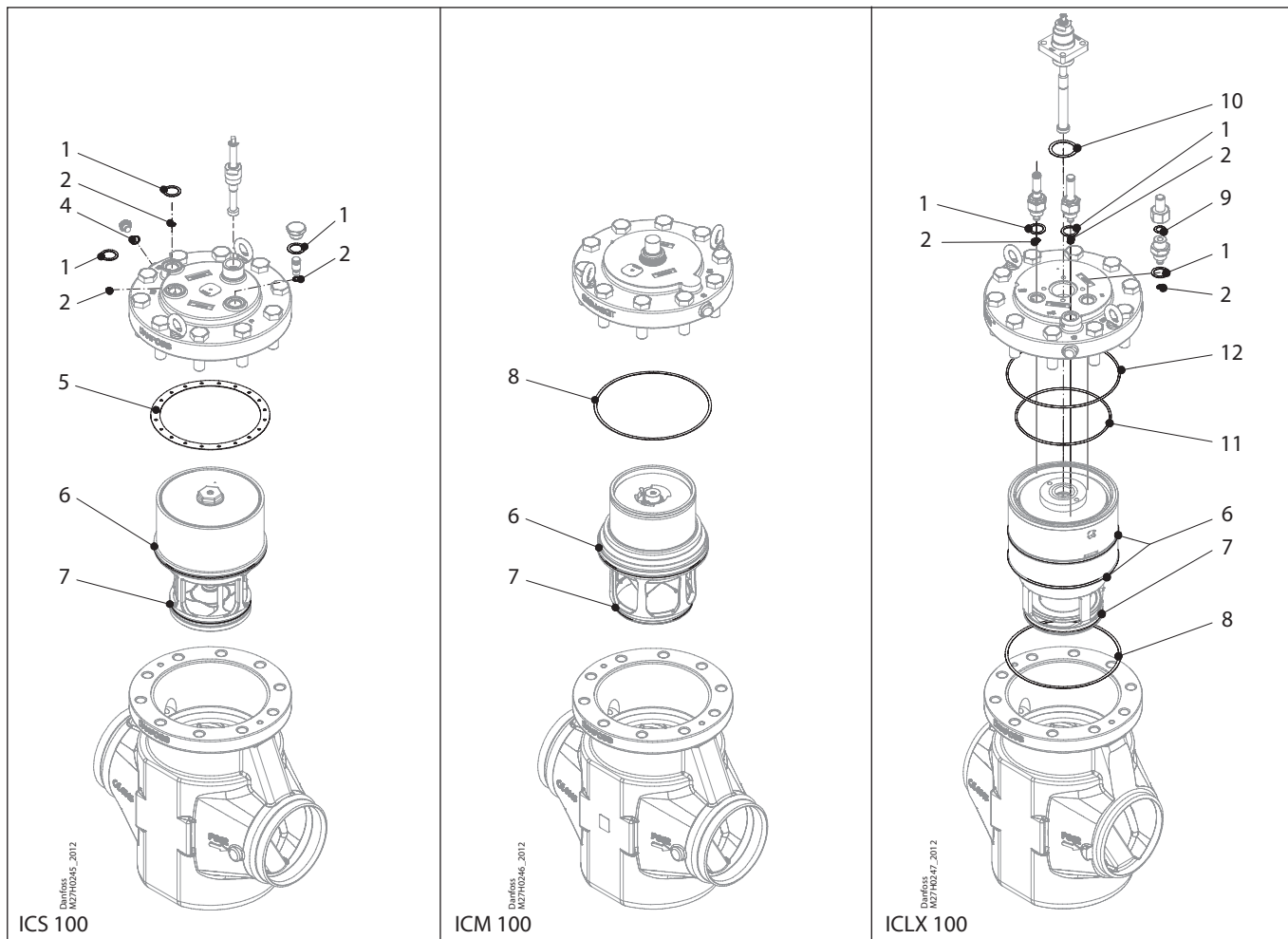
ICM 65

ICLX 65/80

<p><b>1</b></p> <p> = Fibre</p> <p>Total no. = 3</p>	<p><b>2</b></p> <p> = Fibre</p> <p>Total no. = 3</p>	<p><b>3</b></p> <p> = Alu.</p> <p>Total no. = 1</p>	<p><b>4</b></p> <p> = Alu.</p> <p>Total no. = 1</p>	<p><b>5</b></p> <p> = Fibre</p> <p>Total no. = 1</p>
<p><b>6</b></p> <p>Total no. = 2</p>	<p><b>7</b></p> <p> = Fibre</p> <p>Total no. = 1</p>	<p><b>8</b></p> <p> = Fibre</p> <p>Total no. = 1</p>	<p><b>9</b></p> <p> = Alu.</p> <p>Total no. = 1</p>	<p><b>10</b></p> <p> = Fibre</p> <p>Total no. = 1</p>
<p><b>12</b></p> <p>Total no. = 1</p>	<p><b>13</b></p> <p> = Fibre</p> <p>Total no. = 1</p>			

Data sheet – Spare parts and accessories

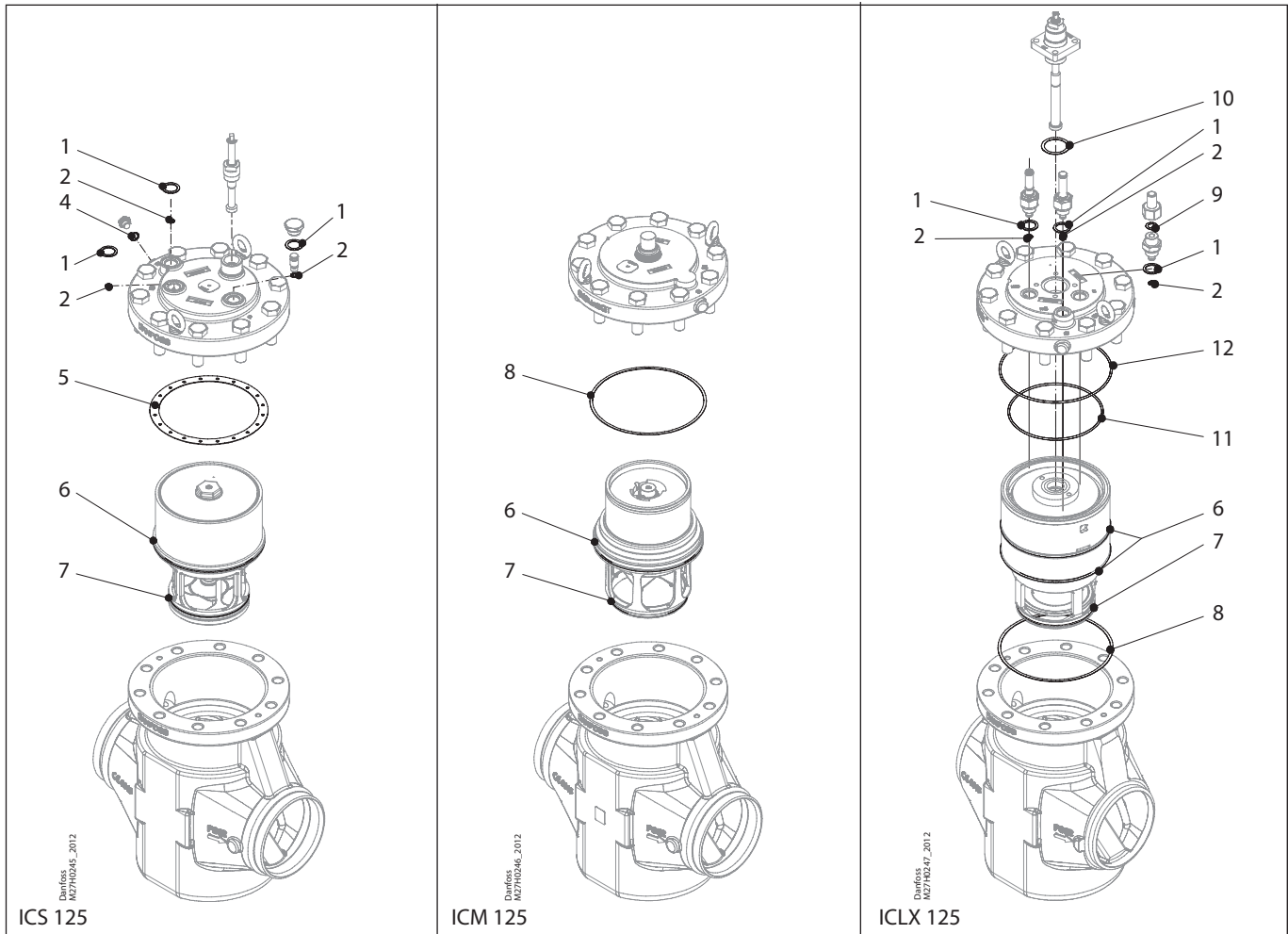
Inspection kit | Code number 027H7191  
ICS, size 100 / ICM, size 100 / ICLX, size 100



<p><b>1</b></p> <p>Total no. = 3</p>	<p><b>2</b></p> <p>Total no. = 3</p>	<p><b>4</b></p> <p>Total no. = 1</p>	<p><b>5</b></p> <p>Total no. = 1</p>	<p><b>6</b></p> <p>Total no. = 2</p>
<p><b>7</b></p> <p>Total no. = 1</p>	<p><b>8</b></p> <p>Total no. = 1</p>	<p><b>9</b></p> <p>Total no. = 1</p>	<p><b>10</b></p> <p>Total no. = 1</p>	<p><b>11</b></p> <p>Total no. = 1</p>
<p><b>12</b></p> <p>Total no. = 1</p>				

Data sheet – Spare parts and accessories

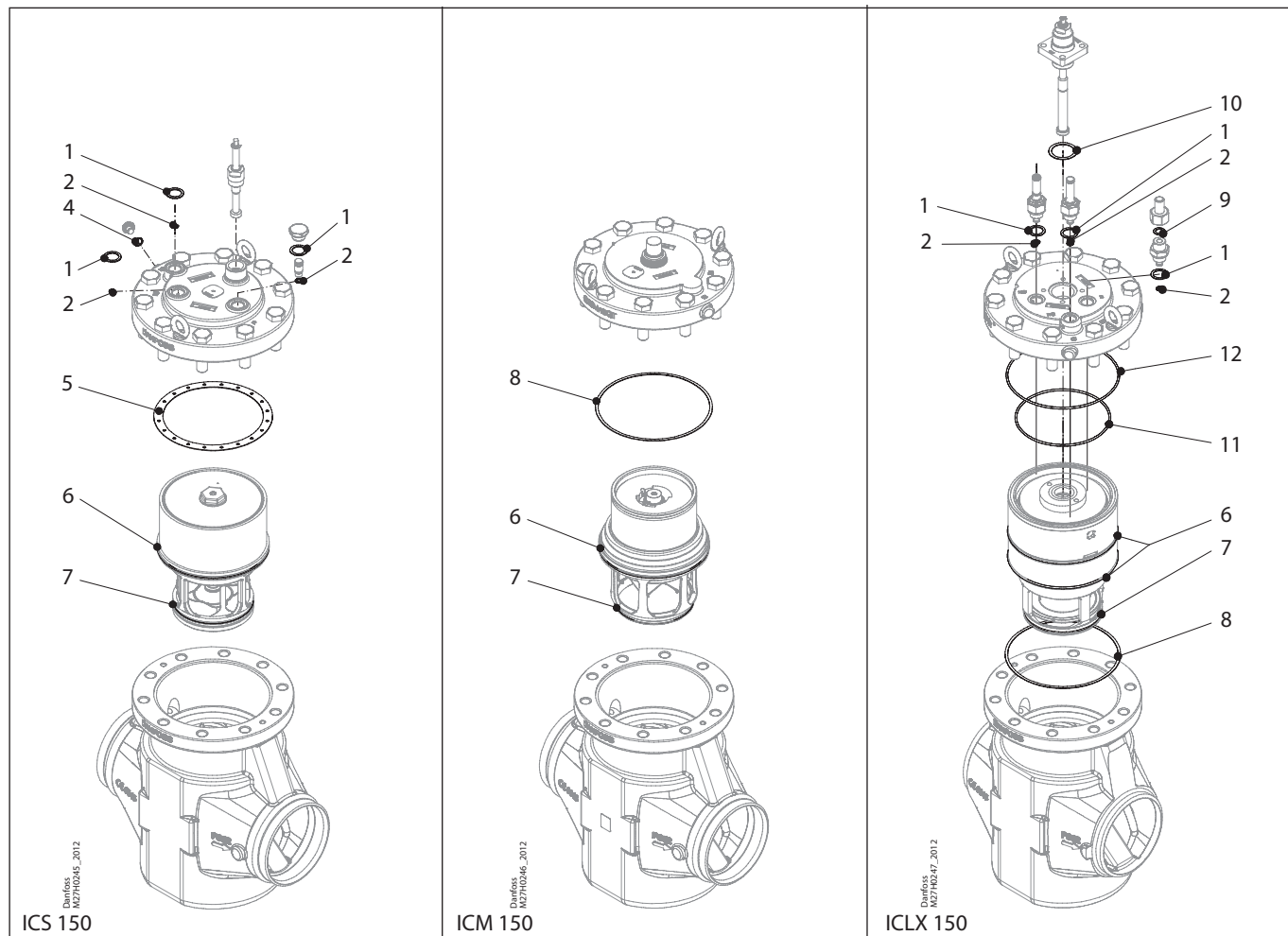
Inspection kit | Code number 027H7194  
ICS, size 125 / ICM, size 125 / ICLX, size 125



<p><b>1</b></p> <p> = Fibre</p> <p>Total no. = 3</p>	<p><b>2</b></p> <p> </p> <p>Total no. = 3</p>	<p><b>4</b></p> <p> = Alu.</p> <p>Total no. = 1</p>	<p><b>5</b></p> <p> = Fibre</p> <p>Total no. = 1</p>	<p><b>6</b></p> <p> </p> <p>Total no. = 2</p>
<p><b>7</b></p> <p> </p> <p>Total no. = 1</p>	<p><b>8</b></p> <p> = Fibre</p> <p>Total no. = 1</p>	<p><b>9</b></p> <p> = Alu.</p> <p>Total no. = 1</p>	<p><b>10</b></p> <p> = Fibre</p> <p>Total no. = 1</p>	<p><b>11</b></p> <p> </p> <p>Total no. = 1</p>
<p><b>12</b></p> <p> </p> <p>Total no. = 1</p>				

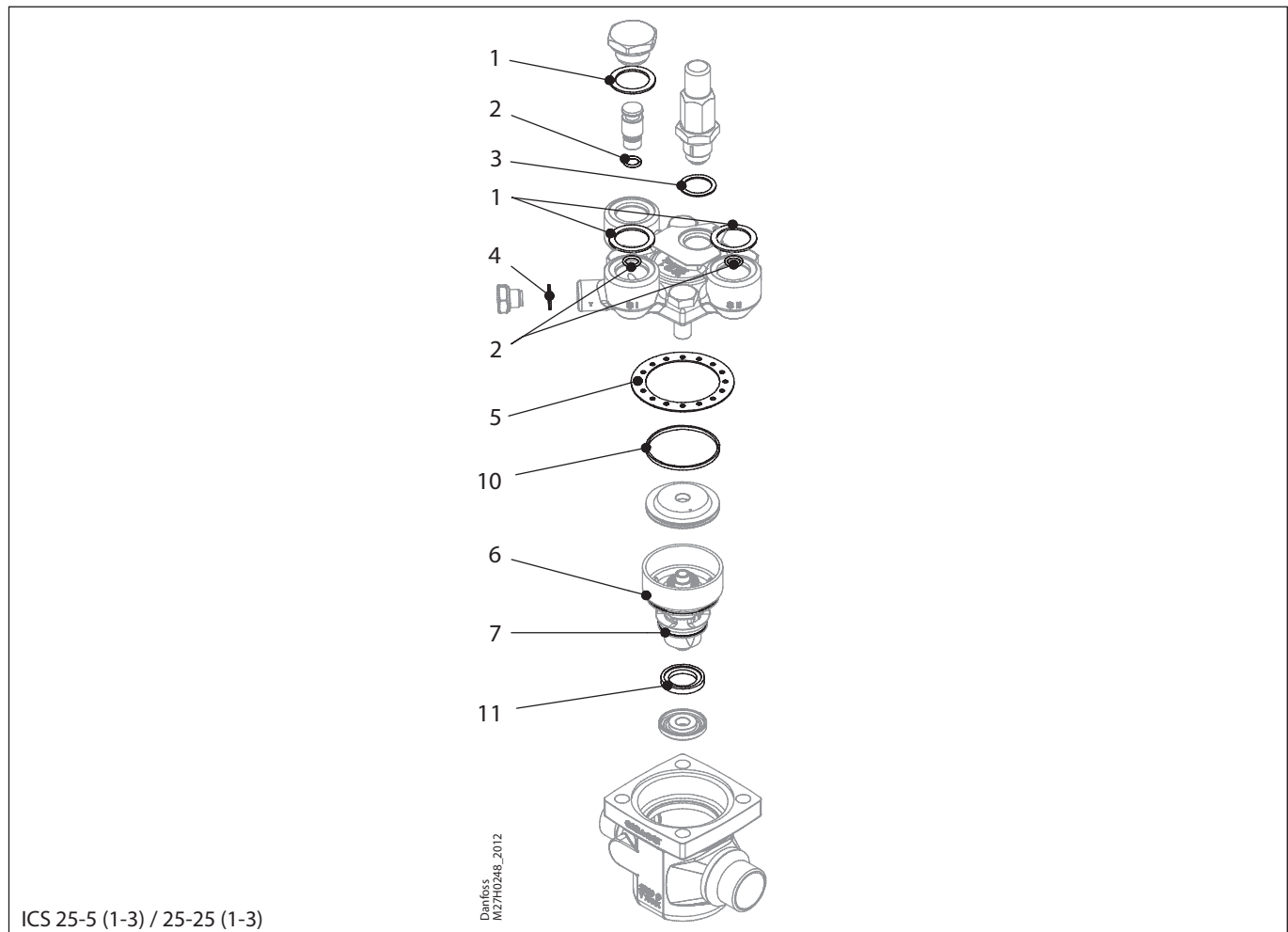
Data sheet – Spare parts and accessories

Inspection kit | Code number 027H7196  
ICS, size 150 / ICM, size 150 / ICLX, size 150



<p><b>1</b></p> <p><math>\text{Ø}32.5 \text{ mm}</math> <math>\text{Ø}1.28''</math></p> <p>Total no. = 3</p>	<p><b>2</b></p> <p><math>\text{Ø}9 \text{ mm}</math> <math>\text{Ø}0.36''</math></p> <p>Total no. = 3</p>	<p><b>4</b></p> <p><math>\text{Ø}18 \text{ mm}</math> <math>\text{Ø}0.7''</math></p> <p>Total no. = 1</p>	<p><b>5</b></p> <p><math>\text{Ø}220 \text{ mm}</math> <math>\text{Ø}8.66''</math></p> <p>Total no. = 1</p>	<p><b>6</b></p> <p><math>\text{Ø}196 \text{ mm}</math> <math>\text{Ø}7.72''</math></p> <p>Total no. = 2</p>
<p><b>7</b></p> <p><math>\text{Ø}142 \text{ mm}</math> <math>\text{Ø}5.59''</math></p> <p>Total no. = 1</p>	<p><b>8</b></p> <p><math>\text{Ø}220 \text{ mm}</math> <math>\text{Ø}8.66''</math></p> <p>Total no. = 1</p>	<p><b>9</b></p> <p><math>\text{Ø}22 \text{ mm}</math> <math>\text{Ø}0.87''</math></p> <p>Total no. = 1</p>	<p><b>10</b></p> <p><math>\text{Ø}54 \text{ mm}</math> <math>\text{Ø}2.13''</math></p> <p>Total no. = 1</p>	<p><b>11</b></p> <p><math>\text{Ø}165 \text{ mm}</math> <math>\text{Ø}6.5''</math></p> <p>Total no. = 1</p>
<p><b>12</b></p> <p><math>\text{Ø}209 \text{ mm}</math> <math>\text{Ø}8.23''</math></p> <p>Total no. = 1</p>				

Data sheet – Spare parts and accessories  
**Repair kit | Code number 027H2219**  
**ICS, size 25-5 to 25-25**

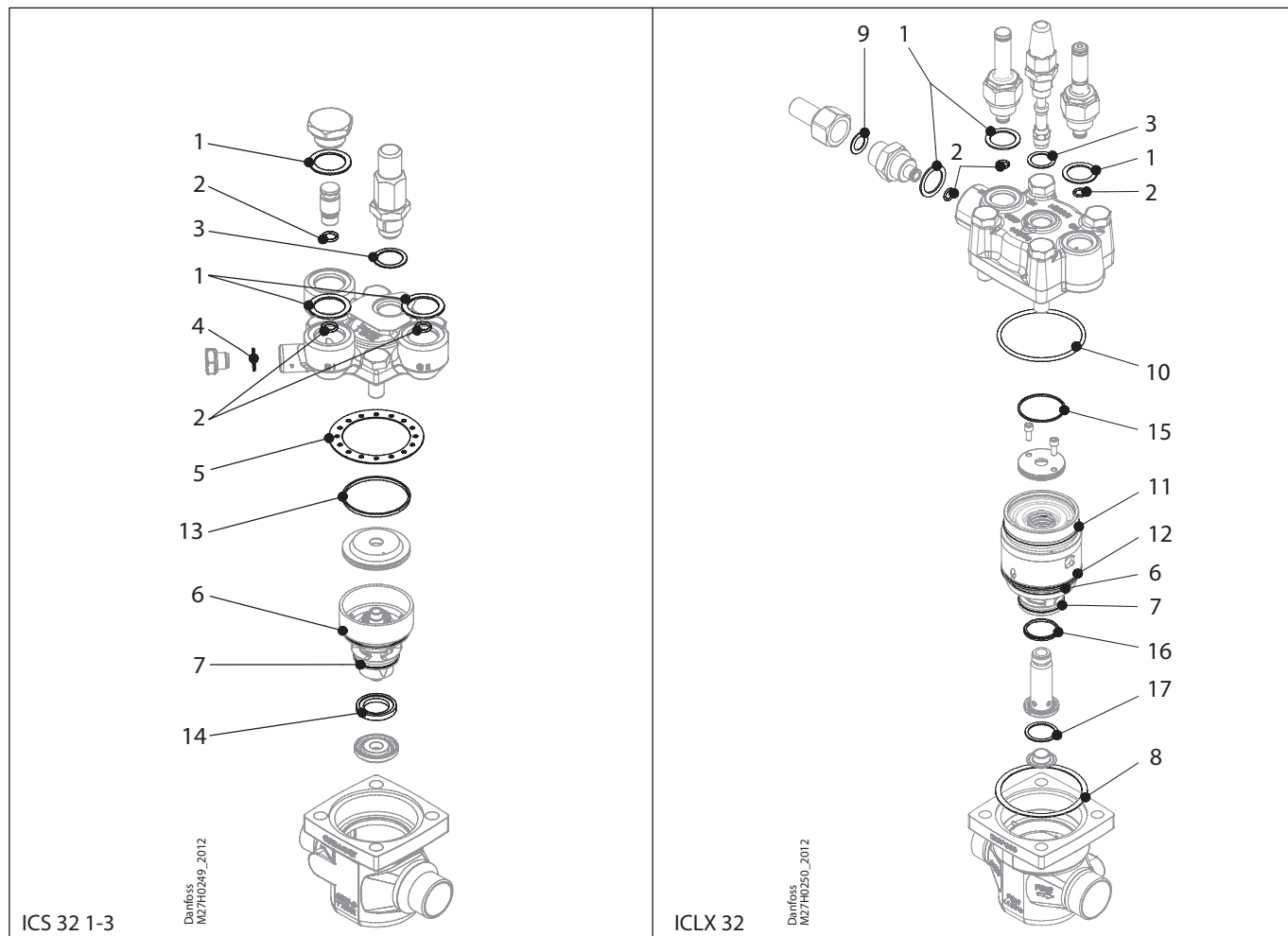


ICS 25-5 (1-3) / 25-25 (1-3)

<p><b>1</b></p> <p> = Fibre</p> <p>Total no. = 3</p>	<p><b>2</b></p> <p>Total no. = 3</p>	<p><b>3</b></p> <p> = Alu.</p> <p>Total no. = 1</p>	<p><b>4</b></p> <p> = Alu.</p> <p>Total no. = 1</p>	<p><b>5</b></p> <p> = Fibre</p> <p>Total no. = 1</p>
<p><b>6</b></p> <p>Total no. = 1</p>	<p><b>7</b></p> <p>Total no. = 1</p>	<p><b>10</b></p> <p> = Steel</p> <p>Total no. = 1</p>	<p><b>11</b></p> <p>Total no. = 1</p>	

Data sheet – Spare parts and accessories

Repair kit | Code number 027H3017  
ICS, size 32 (1-3) / ICLX, size 32

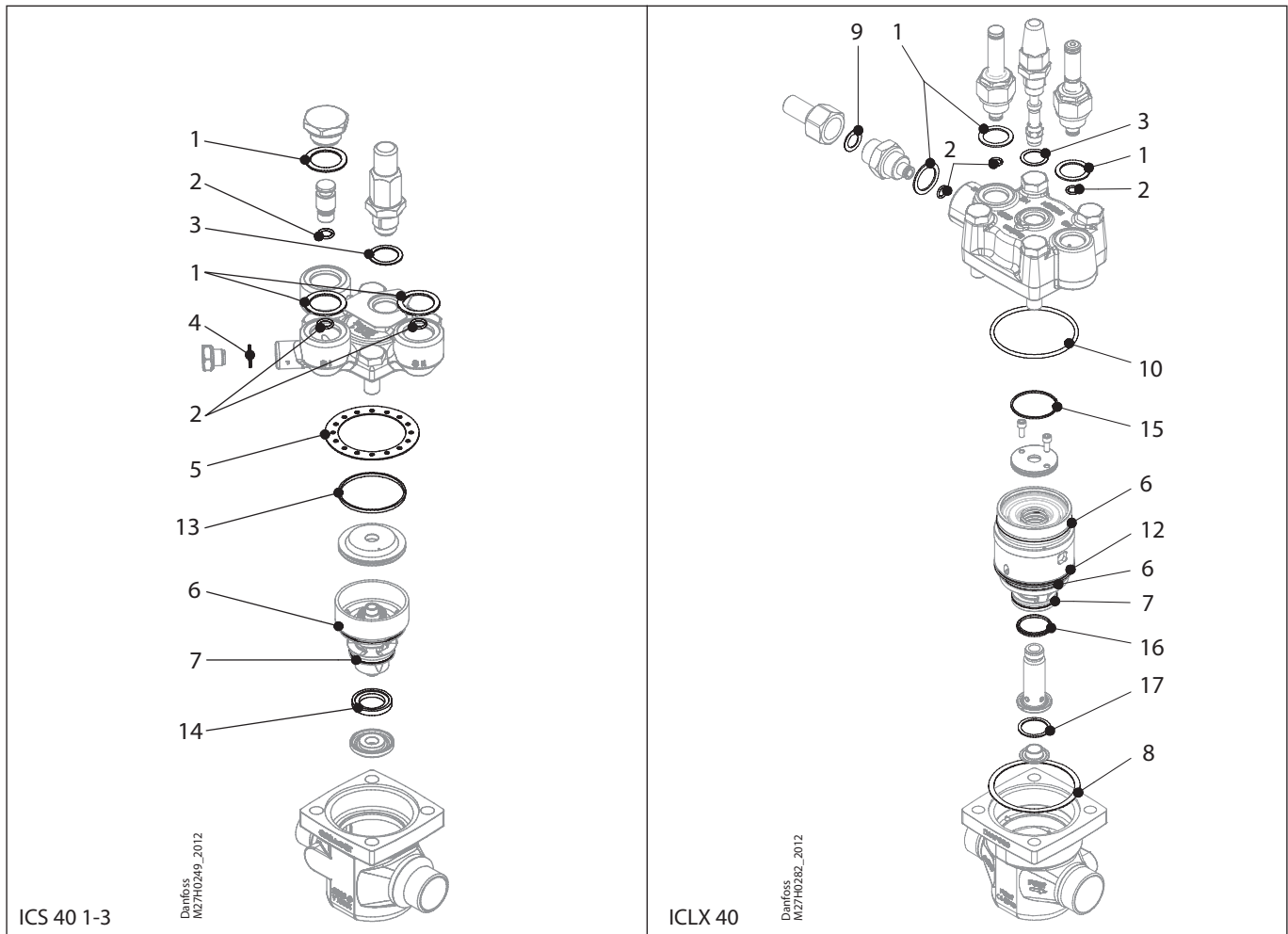


<p><b>1</b>  = Fibre</p> <p>Total no. = 3</p>	<p><b>2</b>  = Al.</p> <p>Total no. = 3</p>	<p><b>3</b>  = Al.</p> <p>Total no. = 1</p>	<p><b>4</b>  = Al.</p> <p>Total no. = 1</p>	<p><b>5</b>  = Fibre</p> <p>Total no. = 1</p>	<p><b>6</b>  = Al.</p> <p>Total no. = 1</p>
<p><b>7</b>  = Al.</p> <p>Total no. = 1</p>	<p><b>8</b>  = Fibre</p> <p>Total no. = 1</p>	<p><b>9</b>  = Al.</p> <p>Total no. = 1</p>	<p><b>10</b>  = Al.</p> <p>Total no. = 1</p>	<p><b>11</b>  = Al.</p> <p>Total no. = 1</p>	<p><b>12</b>  = Al.</p> <p>Total no. = 1</p>
<p><b>13</b>  = Steel</p> <p>Total no. = 1</p>	<p><b>14</b>  = PTFE</p> <p>Total no. = 1</p>	<p><b>15</b>  = Steel</p> <p>Total no. = 1</p>	<p><b>16</b>  = PTFE</p> <p>Total no. = 1</p>	<p><b>17</b>  = PTFE</p> <p>Total no. = 1</p>	



Data sheet – Spare parts and accessories

Repair kit | Code number 027H4015  
ICS, size 40 (1-3) / ICLX, size 40



ICS 40 1-3

Danfoss  
M27H0249\_2012

ICLX 40

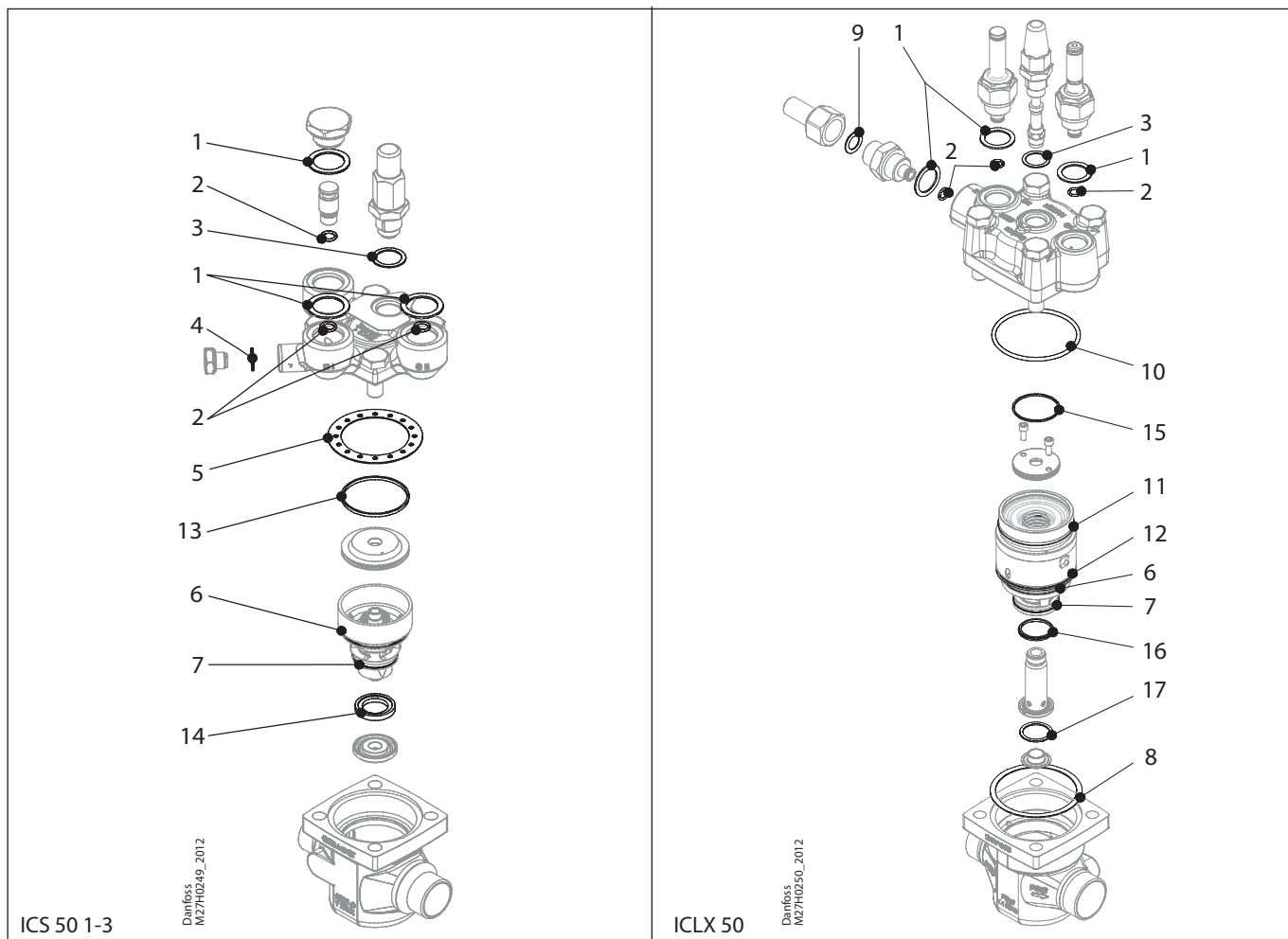
Danfoss  
M27H0282\_2012

<p><b>1</b></p> <p> = Fibre</p> <p>Total no. = 3</p>	<p><b>2</b></p> <p> = Steel</p> <p>Total no. = 3</p>	<p><b>3</b></p> <p> = Alu.</p> <p>Total no. = 1</p>	<p><b>4</b></p> <p> = Alu.</p> <p>Total no. = 1</p>	<p><b>5</b></p> <p> = Fibre</p> <p>Total no. = 1</p>	<p><b>6</b></p> <p> = Steel</p> <p>Total no. = 2</p>
<p><b>7</b></p> <p> = Steel</p> <p>Total no. = 1</p>	<p><b>8</b></p> <p> = Fibre</p> <p>Total no. = 1</p>	<p><b>9</b></p> <p> = Alu.</p> <p>Total no. = 1</p>	<p><b>10</b></p> <p> = Steel</p> <p>Total no. = 1</p>	<p><b>12</b></p> <p> = Steel</p> <p>Total no. = 1</p>	<p><b>13</b></p> <p> = Steel</p> <p>Total no. = 1</p>
<p><b>14</b></p> <p> = PTFE</p> <p>Total no. = 1</p>	<p><b>15</b></p> <p> = Steel</p> <p>Total no. = 1</p>	<p><b>16</b></p> <p> = PTFE</p> <p>Total no. = 1</p>	<p><b>17</b></p> <p> = PTFE</p> <p>Total no. = 1</p>		



Data sheet – Spare parts and accessories

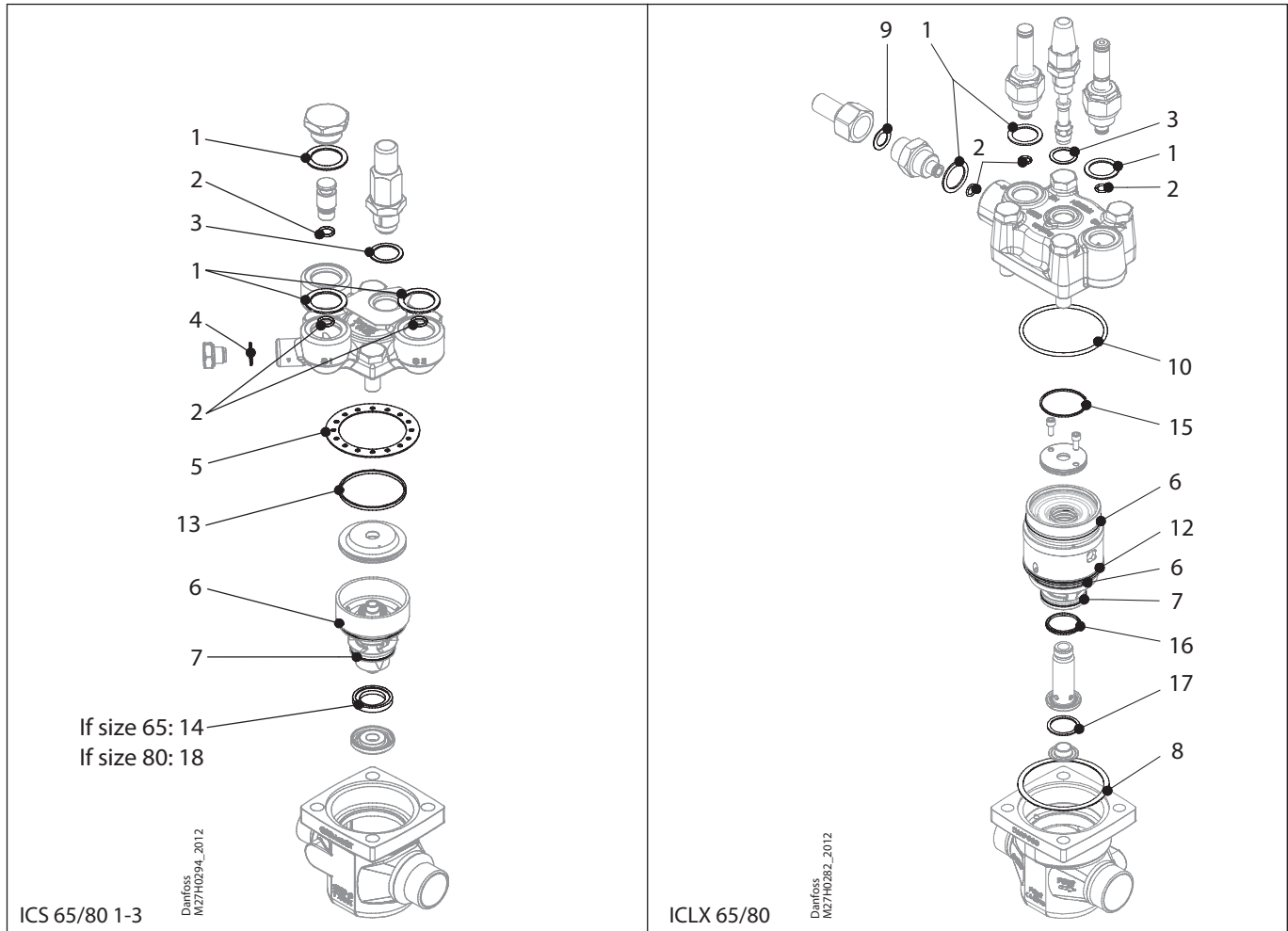
Repair kit | Code number 027H5015  
ICS, size 50 (1-3) / ICLX, size 50



<p><b>1</b></p> <p> = Fibre</p> <p><math>\varnothing 32.5 \text{ mm}</math> <math>\varnothing 1.28''</math></p> <p>Total no. = 3</p>	<p><b>2</b></p> <p> = Alu.</p> <p><math>\varnothing 9 \text{ mm}</math> <math>\varnothing 0.36''</math></p> <p>Total no. = 3</p>	<p><b>3</b></p> <p> = Alu.</p> <p><math>\varnothing 26 \text{ mm}</math> <math>\varnothing 1.02''</math></p> <p>Total no. = 1</p>	<p><b>4</b></p> <p> = Alu.</p> <p><math>\varnothing 18 \text{ mm}</math> <math>\varnothing 0.7''</math></p> <p>Total no. = 1</p>	<p><b>5</b></p> <p> = Fibre</p> <p><math>\varnothing 108 \text{ mm}</math> <math>\varnothing 4.25''</math></p> <p>Total no. = 1</p>	<p><b>6</b></p> <p> = Fibre</p> <p><math>\varnothing 56 \text{ mm}</math> <math>\varnothing 2.99''</math></p> <p>Total no. = 1</p>
<p><b>7</b></p> <p> = Fibre</p> <p><math>\varnothing 58 \text{ mm}</math> <math>\varnothing 2.28''</math></p> <p>Total no. = 1</p>	<p><b>8</b></p> <p> = Fibre</p> <p><math>\varnothing 108 \text{ mm}</math> <math>\varnothing 4.25''</math></p> <p>Total no. = 1</p>	<p><b>9</b></p> <p> = Alu.</p> <p><math>\varnothing 22 \text{ mm}</math> <math>\varnothing 0.87''</math></p> <p>Total no. = 1</p>	<p><b>10</b></p> <p> = Fibre</p> <p><math>\varnothing 101 \text{ mm}</math> <math>\varnothing 3.98''</math></p> <p>Total no. = 1</p>	<p><b>11</b></p> <p> = Fibre</p> <p><math>\varnothing 82 \text{ mm}</math> <math>\varnothing 3.23''</math></p> <p>Total no. = 1</p>	<p><b>12</b></p> <p> = Fibre</p> <p><math>\varnothing 80 \text{ mm}</math> <math>\varnothing 3.15''</math></p> <p>Total no. = 1</p>
<p><b>13</b></p> <p> = Steel</p> <p><math>\varnothing 80 \text{ mm}</math> <math>\varnothing 3.15''</math></p> <p>Total no. = 1</p>	<p><b>14</b></p> <p> = PTFE</p> <p><math>\varnothing 56 \text{ mm}</math> <math>\varnothing 2.2''</math></p> <p>Total no. = 1</p>	<p><b>15</b></p> <p> = Steel</p> <p><math>\varnothing 60 \text{ mm}</math> <math>\varnothing 2.36''</math></p> <p>Total no. = 1</p>	<p><b>16</b></p> <p> = PTFE</p> <p><math>\varnothing 46 \text{ mm}</math> <math>\varnothing 1.79''</math></p> <p>Total no. = 1</p>	<p><b>17</b></p> <p> = PTFE</p> <p><math>\varnothing 43 \text{ mm}</math> <math>\varnothing 1.69''</math></p> <p>Total no. = 1</p>	

Data sheet – Spare parts and accessories

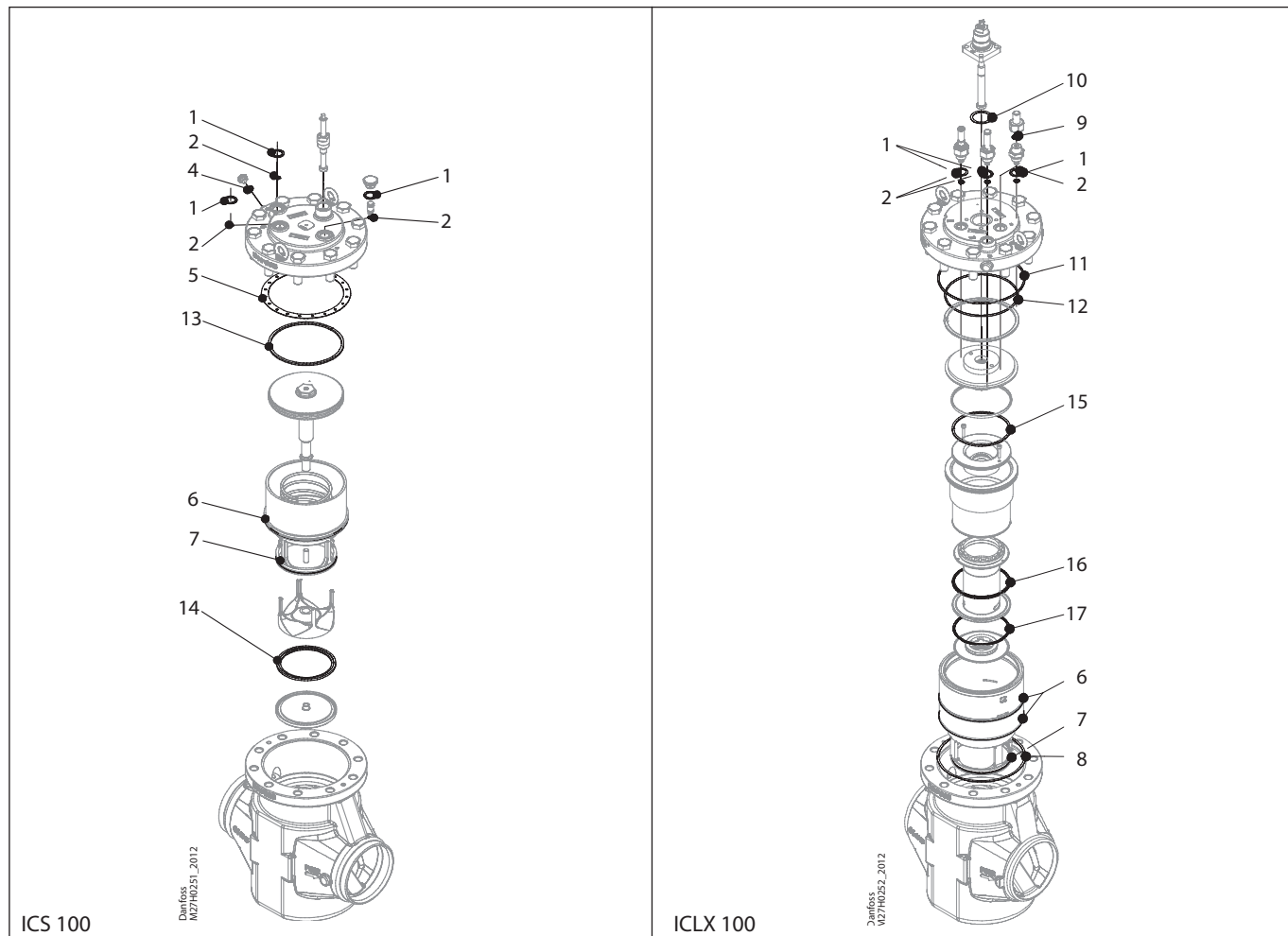
Repair kit | Code number 027H6017  
ICS, size 65/80 (1-3) / ICLX, size 65/80



<p><b>1</b></p> <p> = Fibre</p> <p>Total no. = 3</p>	<p><b>2</b></p> <p>Total no. = 3</p>	<p><b>3</b></p> <p> = Alu.</p> <p>Total no. = 1</p>	<p><b>4</b></p> <p> = Alu.</p> <p>Total no. = 1</p>	<p><b>5</b></p> <p> = Fibre</p> <p>Total no. = 1</p>	<p><b>6</b></p> <p>Total no. = 2</p>
<p><b>7</b></p> <p>Total no. = 1</p>	<p><b>8</b></p> <p> = Fibre</p> <p>Total no. = 1</p>	<p><b>9</b></p> <p> = Alu.</p> <p>Total no. = 1</p>	<p><b>10</b></p> <p>Total no. = 1</p>	<p><b>12</b></p> <p>Total no. = 1</p>	<p><b>13</b></p> <p> = Steel</p> <p>Total no. = 1</p>
<p><b>14</b></p> <p> = PTFE</p> <p>Total no. = 1</p>	<p><b>15</b></p> <p> = Steel</p> <p>Total no. = 1</p>	<p><b>16</b></p> <p> = PTFE</p> <p>Total no. = 1</p>	<p><b>17</b></p> <p> = PTFE</p> <p>Total no. = 1</p>	<p><b>18</b></p> <p>Total no. = 1</p>	

Data sheet – Spare parts and accessories

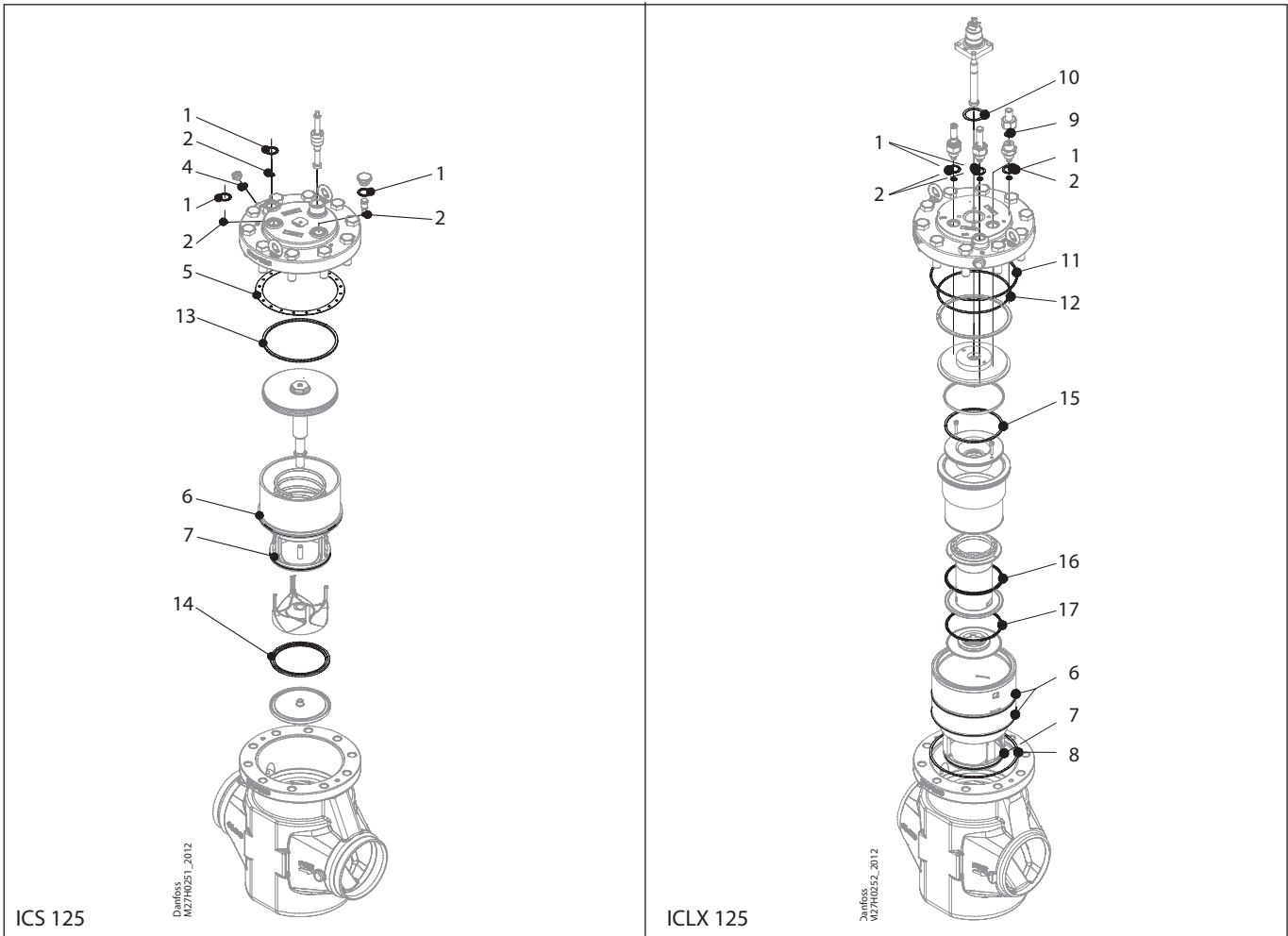
Repair kit | Code number 027H7192  
ICS, size 100 / ICLX, size 100



<p><b>1</b></p> <p> = Fibre</p> <p></p> <p>Total no. = 3</p>	<p><b>2</b></p> <p> = Al.</p> <p></p> <p>Total no. = 3</p>	<p><b>4</b></p> <p> = Al.</p> <p></p> <p>Total no. = 1</p>	<p><b>5</b></p> <p> = Fibre</p> <p></p> <p>Total no. = 1</p>	<p><b>6</b></p> <p> = Al.</p> <p></p> <p>Total no. = 2</p>	<p><b>7</b></p> <p> = Al.</p> <p></p> <p>Total no. = 1</p>
<p><b>8</b></p> <p> = Fibre</p> <p></p> <p>Total no. = 1</p>	<p><b>9</b></p> <p> = Al.</p> <p></p> <p>Total no. = 1</p>	<p><b>10</b></p> <p> = Fibre</p> <p></p> <p>Total no. = 1</p>	<p><b>11</b></p> <p> = Al.</p> <p></p> <p>Total no. = 1</p>	<p><b>12</b></p> <p> = Al.</p> <p></p> <p>Total no. = 1</p>	<p><b>13</b></p> <p> = Steel</p> <p></p> <p>Total no. = 1</p>
<p><b>14</b></p> <p> = PTFE</p> <p></p> <p>Total no. = 1</p>	<p><b>15</b></p> <p> = Steel</p> <p></p> <p>Total no. = 1</p>	<p><b>16</b></p> <p> = PTFE</p> <p></p> <p>Total no. = 1</p>	<p><b>17</b></p> <p> = PTFE</p> <p></p> <p>Total no. = 1</p>		

Data sheet – Spare parts and accessories

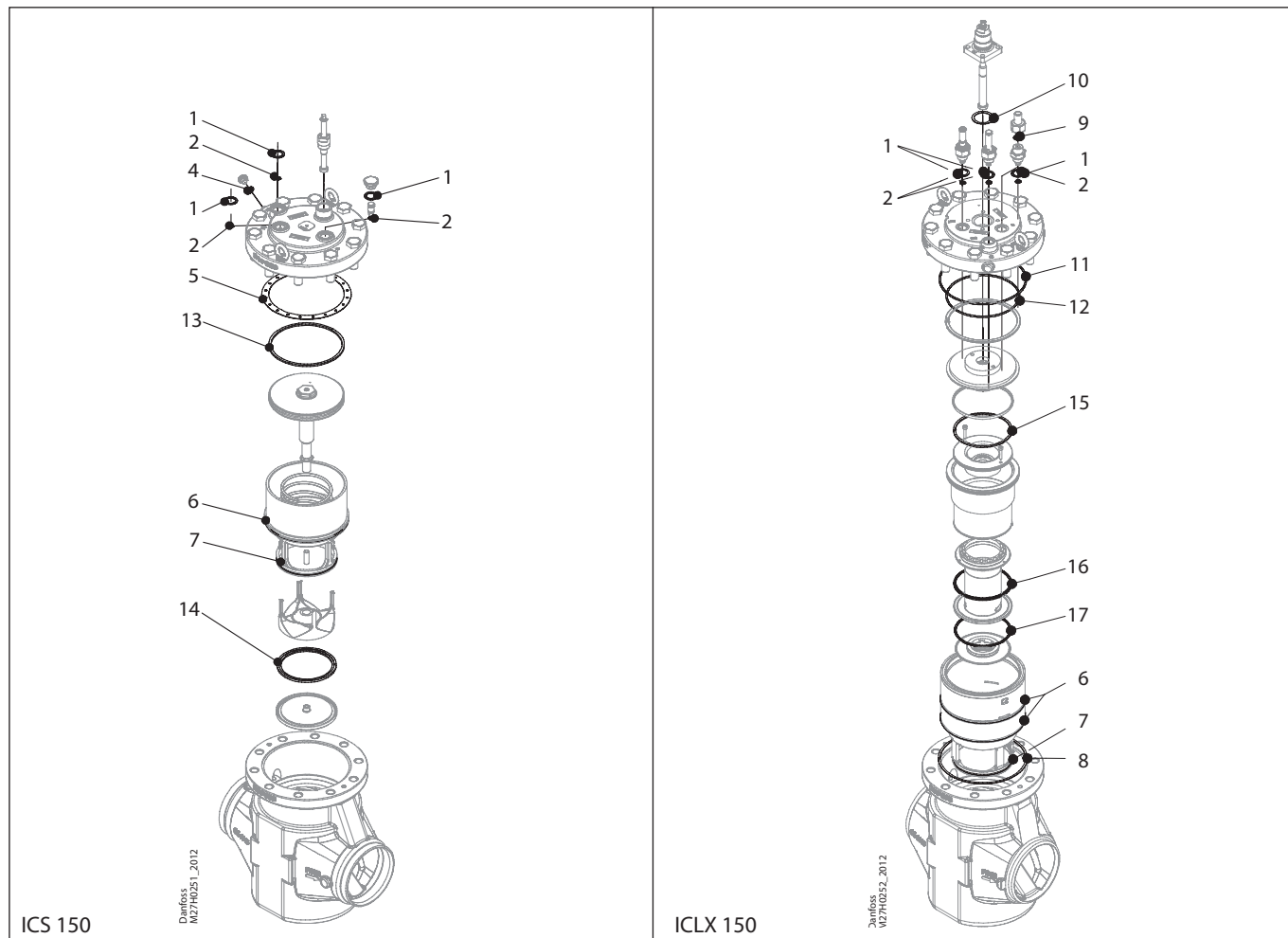
Repair kit | Code number 027H7204  
ICS, size 125 / ICLX, size 125



<p><b>1</b></p> <p> = Fibre</p> <p></p> <p>Total no. = 3</p>	<p><b>2</b></p> <p> = Al.</p> <p></p> <p>Total no. = 3</p>	<p><b>4</b></p> <p> = Alu.</p> <p></p> <p>Total no. = 1</p>	<p><b>5</b></p> <p> = Fibre</p> <p></p> <p>Total no. = 1</p>	<p><b>6</b></p> <p> = Steel</p> <p></p> <p>Total no. = 2</p>	<p><b>7</b></p> <p> = Steel</p> <p></p> <p>Total no. = 1</p>
<p><b>8</b></p> <p> = Fibre</p> <p></p> <p>Total no. = 1</p>	<p><b>9</b></p> <p> = Alu.</p> <p></p> <p>Total no. = 1</p>	<p><b>10</b></p> <p> = Fibre</p> <p></p> <p>Total no. = 1</p>	<p><b>11</b></p> <p> = Steel</p> <p></p> <p>Total no. = 1</p>	<p><b>12</b></p> <p> = Steel</p> <p></p> <p>Total no. = 1</p>	<p><b>13</b></p> <p> = Steel</p> <p></p> <p>Total no. = 1</p>
<p><b>14</b></p> <p> = PTFE</p> <p></p> <p>Total no. = 1</p>	<p><b>15</b></p> <p> = Steel</p> <p></p> <p>Total no. = 1</p>	<p><b>16</b></p> <p> = PTFE</p> <p></p> <p>Total no. = 1</p>	<p><b>17</b></p> <p> = PTFE</p> <p></p> <p>Total no. = 1</p>		

Data sheet – Spare parts and accessories

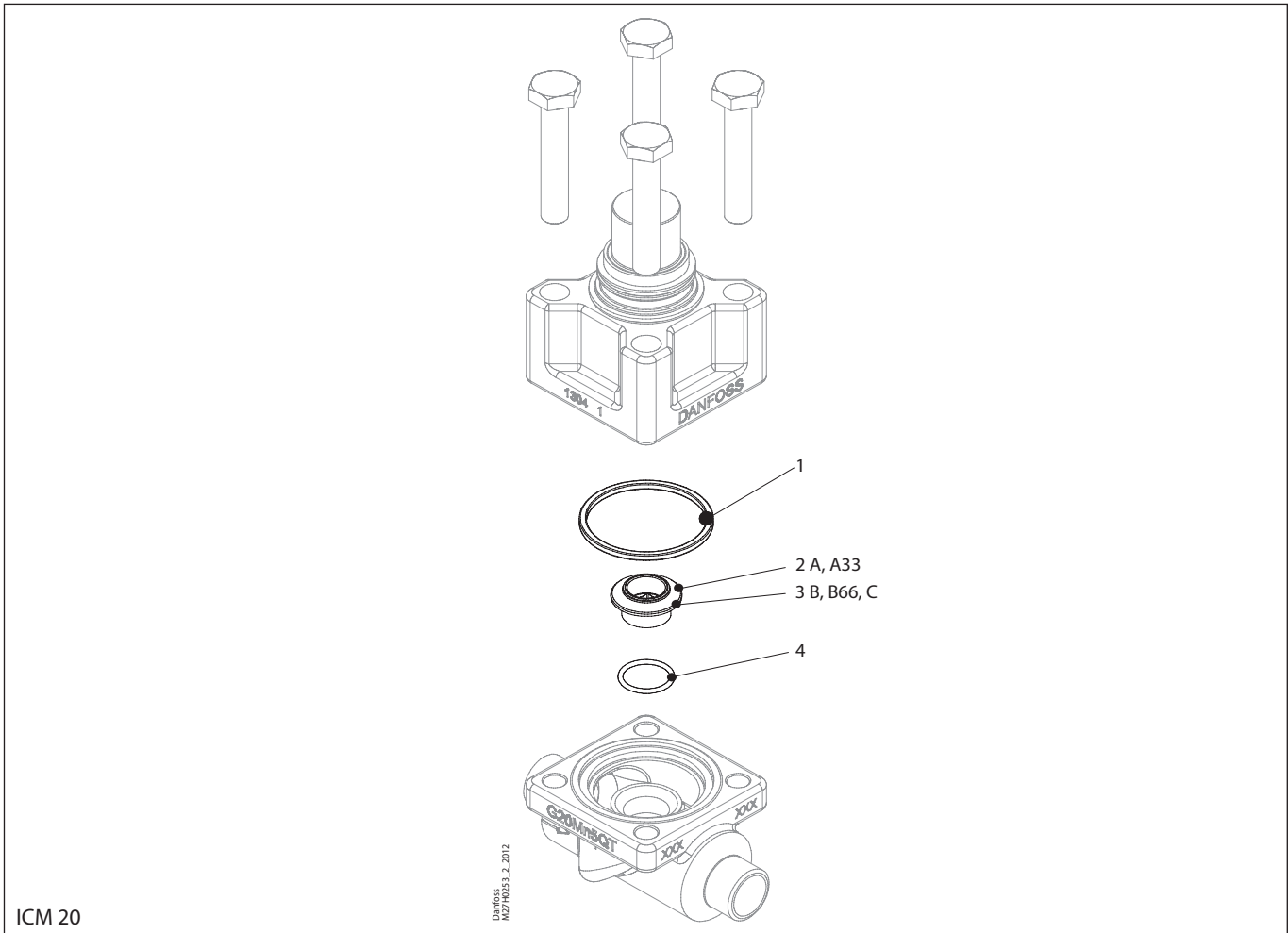
Repair kit | Code number 027H7197  
ICS, size 150 / ICLX, size 150



<p><b>1</b>  = Fibre</p> <p>Total no. = 3</p>	<p><b>2</b>  = Al.</p> <p>Total no. = 3</p>	<p><b>4</b>  = Al.</p> <p>Total no. = 1</p>	<p><b>5</b>  = Fibre</p> <p>Total no. = 1</p>	<p><b>6</b>  = Al.</p> <p>Total no. = 2</p>	<p><b>7</b>  = Steel</p> <p>Total no. = 1</p>
<p><b>8</b>  = Fibre</p> <p>Total no. = 1</p>	<p><b>9</b>  = Al.</p> <p>Total no. = 1</p>	<p><b>10</b>  = Fibre</p> <p>Total no. = 1</p>	<p><b>11</b>  = Al.</p> <p>Total no. = 1</p>	<p><b>12</b>  = Al.</p> <p>Total no. = 1</p>	<p><b>13</b>  = Steel</p> <p>Total no. = 1</p>
<p><b>14</b>  = PTFE</p> <p>Total no. = 1</p>	<p><b>15</b>  = Steel</p> <p>Total no. = 1</p>	<p><b>16</b>  = PTFE</p> <p>Total no. = 1</p>	<p><b>17</b>  = PTFE</p> <p>Total no. = 1</p>		

Data sheet – Spare parts and accessories

Repair kit | Code number 027H1190  
 ICM, size 20 (20A / 20A-33 / 20B / 20B-66 / 20C)

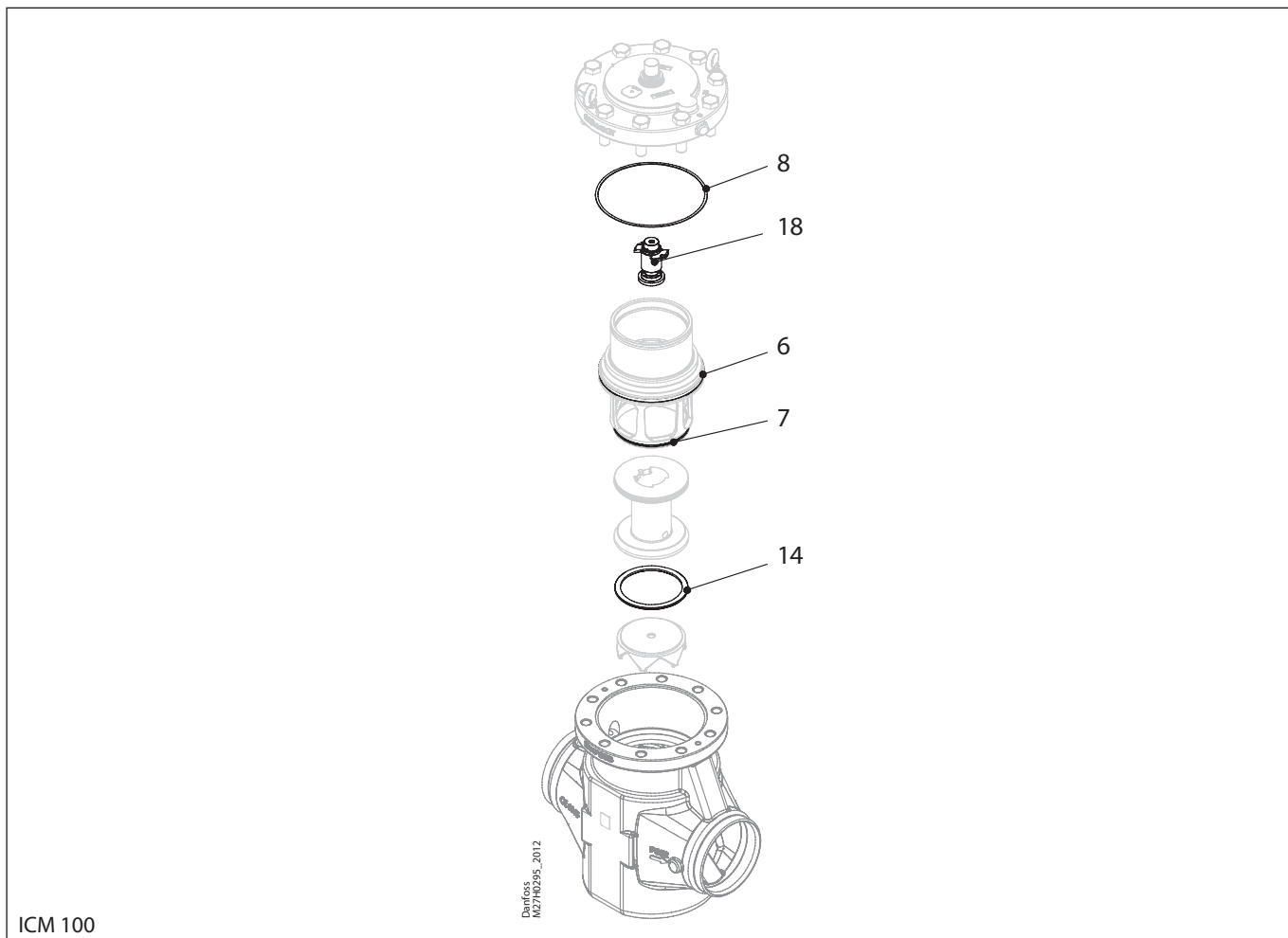


ICM 20

<p><b>1</b></p> <p> = Rubber</p> <p>Total no. = 1</p>	<p><b>2</b></p> <p>Total no. = 1</p>	<p><b>3</b></p> <p>Total no. = 1</p>	<p><b>4</b></p> <p>Total no. = 1</p>	
---	--------------------------------------	--------------------------------------	--------------------------------------	--

Data sheet – Spare parts and accessories

Repair kit | Code number 027H7135  
 ICM, size 100

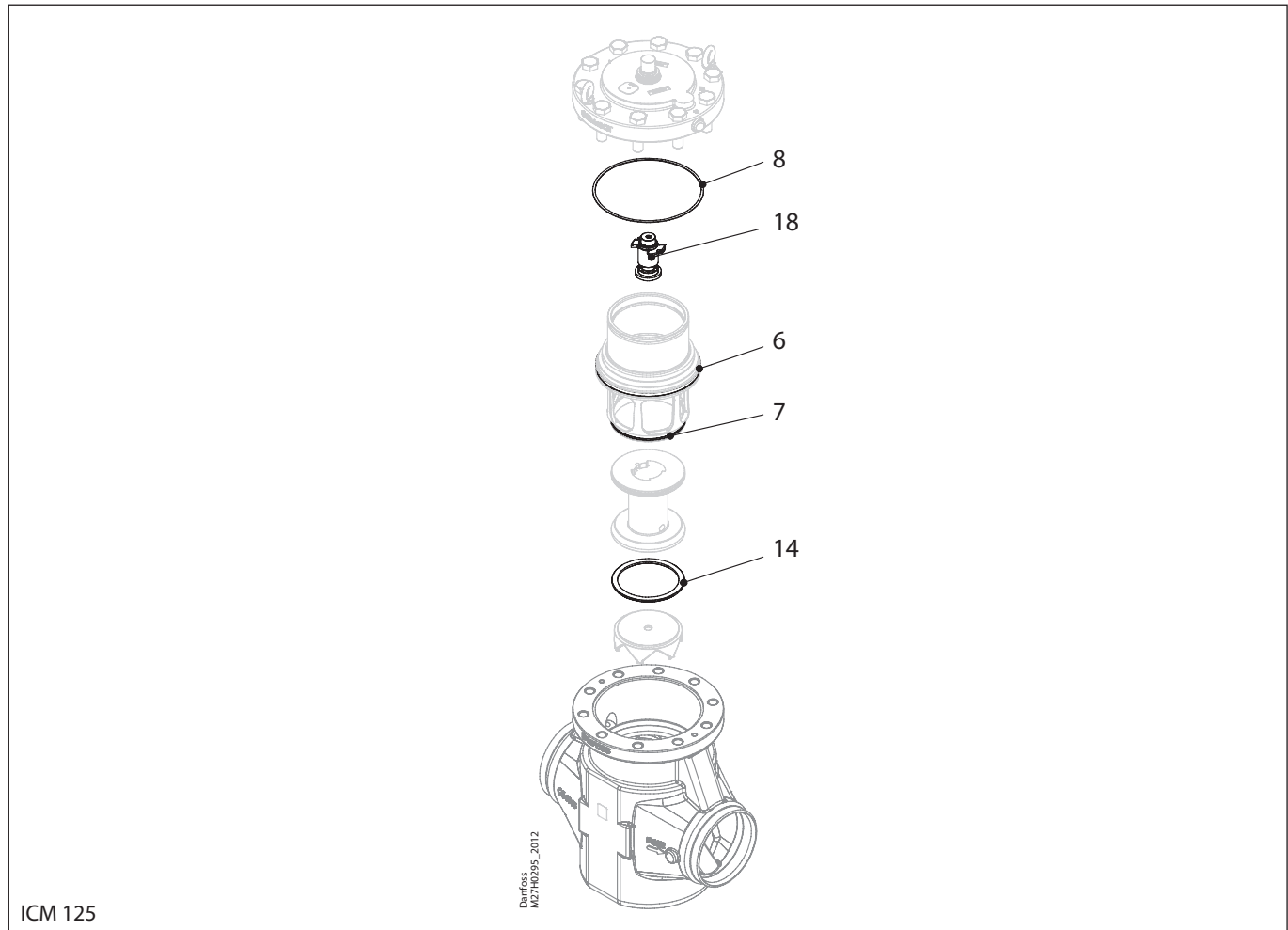


ICM 100

<p><b>6</b></p> <p>Total no. = 1</p>	<p><b>7</b></p> <p>Total no. = 1</p>	<p><b>8</b></p> <p>Total no. = 1</p>	<p><b>14</b></p> <p>Total no. = 1</p>	<p><b>18</b></p> <p>Total no. = 1</p>
--------------------------------------	--------------------------------------	--------------------------------------	---------------------------------------	---------------------------------------

Data sheet – Spare parts and accessories

Repair kit | Code number 027H7155  
 ICM, size 125



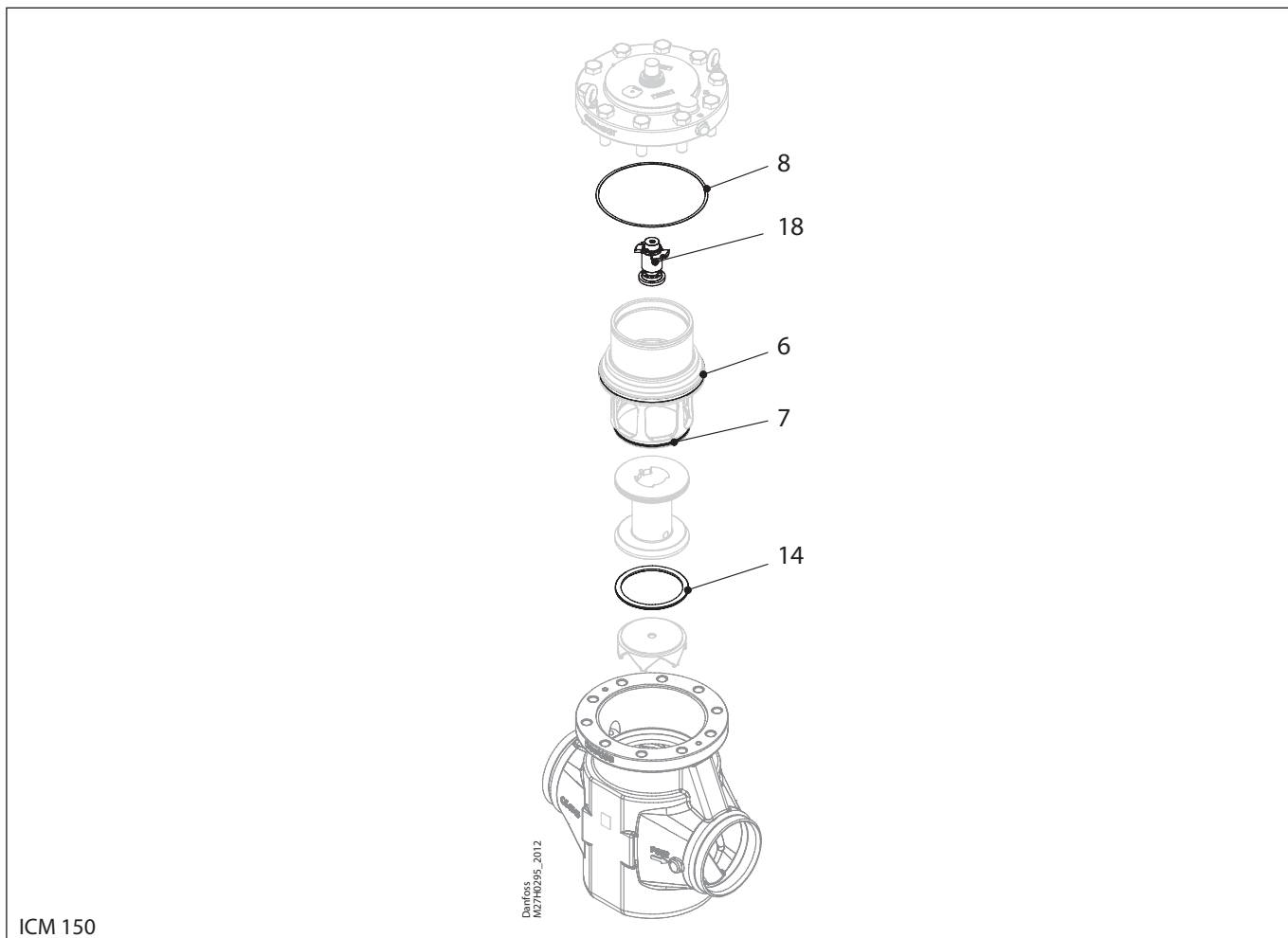
ICM 125

<p><b>6</b></p> <p>Ø158 mm        Ø6.22"</p> <p>Total no. = 1</p>	<p><b>7</b></p> <p>Ø114 mm        Ø4.49"</p> <p>Total no. = 1</p>	<p><b>8</b></p> <p>Ø178 mm        Ø7.01"</p> <p>Total no. = 1</p>	<p><b>14</b></p> <p>Ø107 mm        Ø4.21"</p> <p>Total no. = 1</p>	<p><b>18</b></p> <p>Total no. = 1</p>
---	---	---	--	---------------------------------------



Data sheet – Spare parts and accessories

Repair kit | Code number 027H7175  
 ICM, size 150

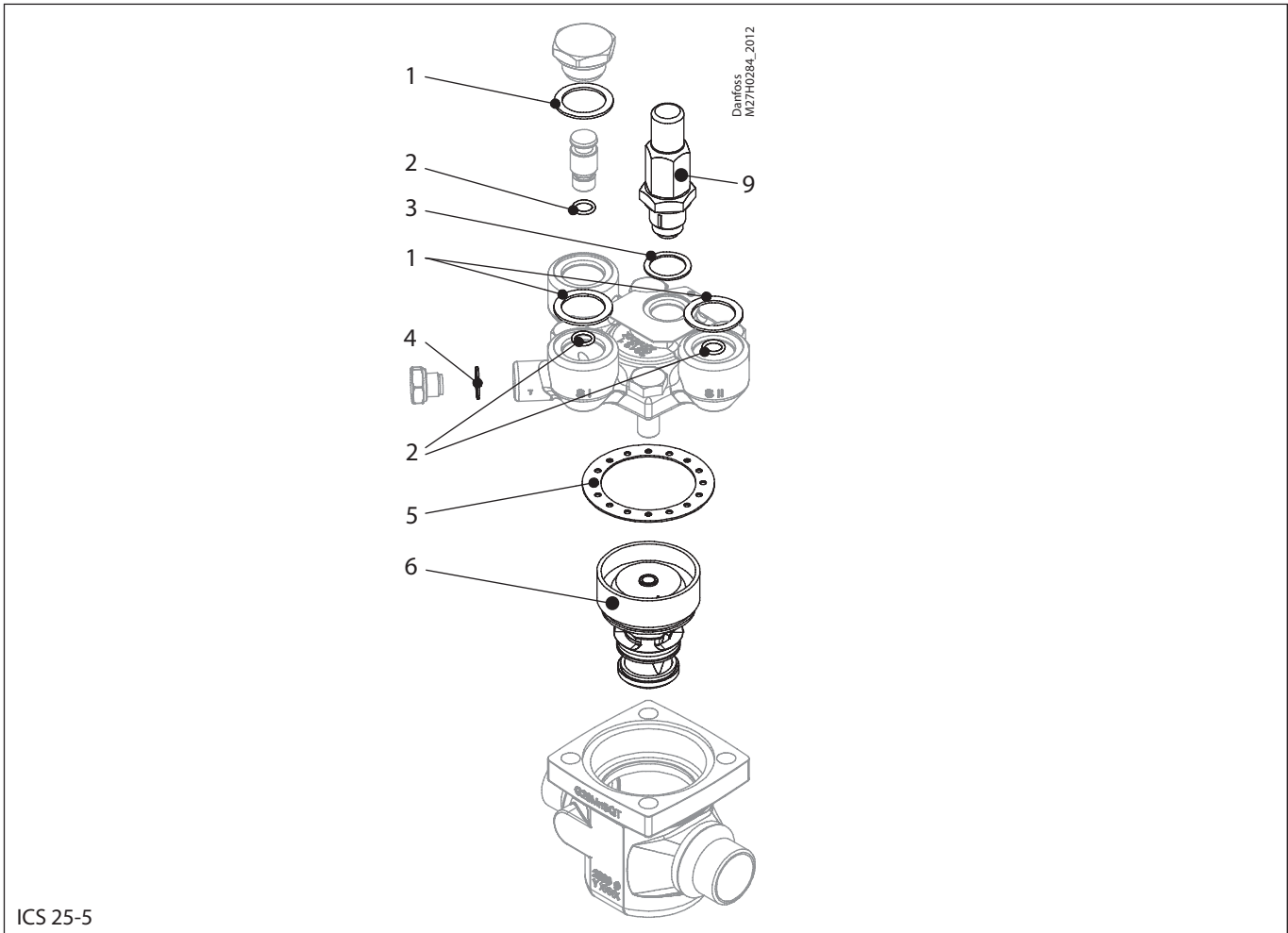


ICM 150

<p><b>6</b></p> <p>Total no. = 1</p>	<p><b>7</b></p> <p>Total no. = 1</p>	<p><b>8</b></p> <p>Total no. = 1</p>	<p><b>14</b></p> <p>Total no. = 1</p>	<p><b>18</b></p> <p>Total no. = 1</p>
--------------------------------------	--------------------------------------	--------------------------------------	---------------------------------------	---------------------------------------

Data sheet – Spare parts and accessories

Overhaul kit | Code number 027H2225  
ICS, size 25-5

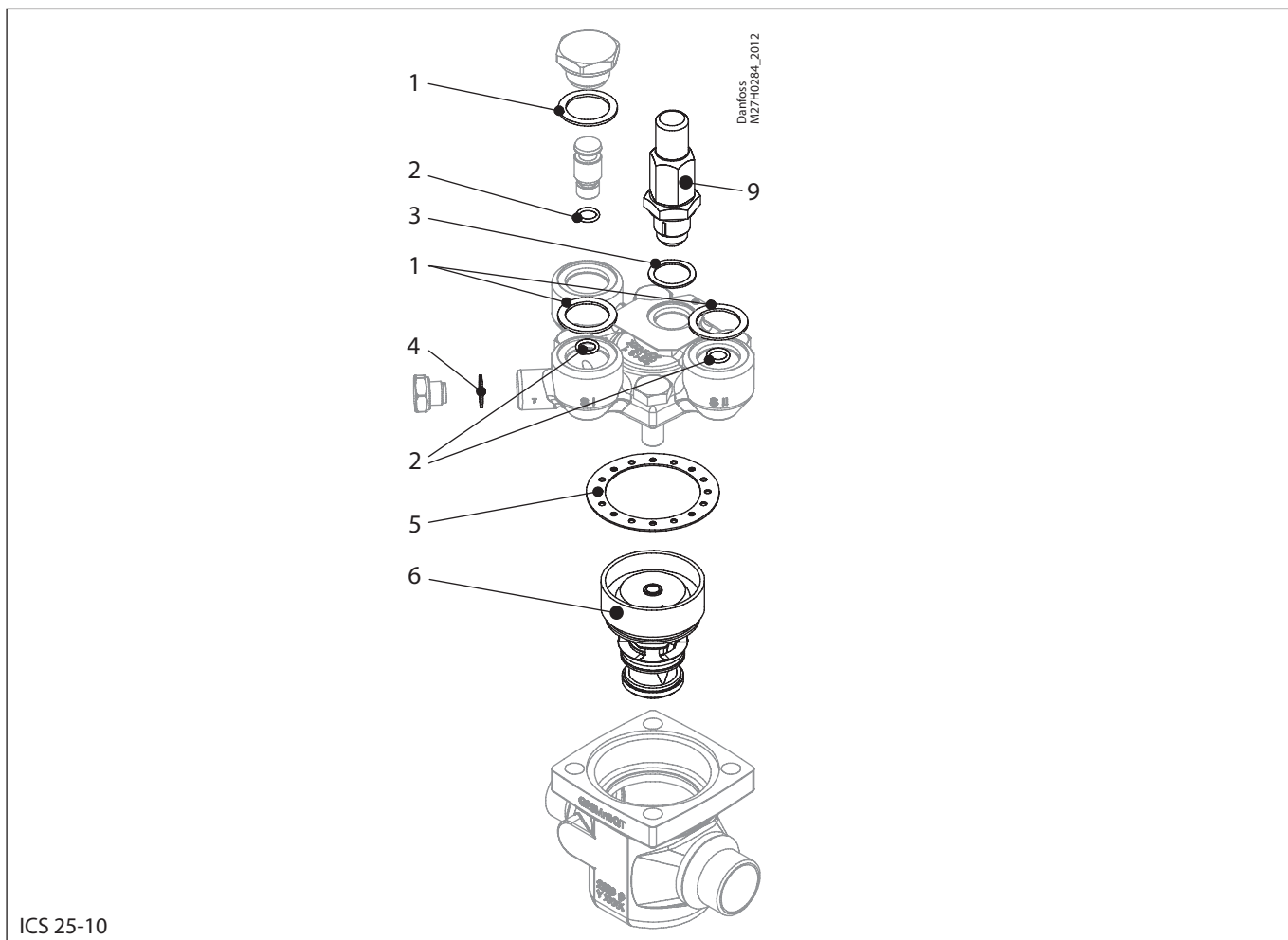


ICS 25-5

<p><b>1</b></p> <p> = Fibre</p> <p>Total no. = 3</p>	<p><b>2</b></p> <p> = Fibre</p> <p>Total no. = 3</p>	<p><b>3</b></p> <p> = Alu.</p> <p>Total no. = 1</p>	<p><b>4</b></p> <p> = Alu.</p> <p>Total no. = 1</p>	<p><b>5</b></p> <p> = Fibre</p> <p>Total no. = 1</p>
<p><b>6</b></p> <p>Total no. = 1</p>		<p><b>9</b></p> <p>Total no. = 1</p>		

Data sheet – Spare parts and accessories

Overhaul kit | Code number 027H2138  
ICS, size 25-10

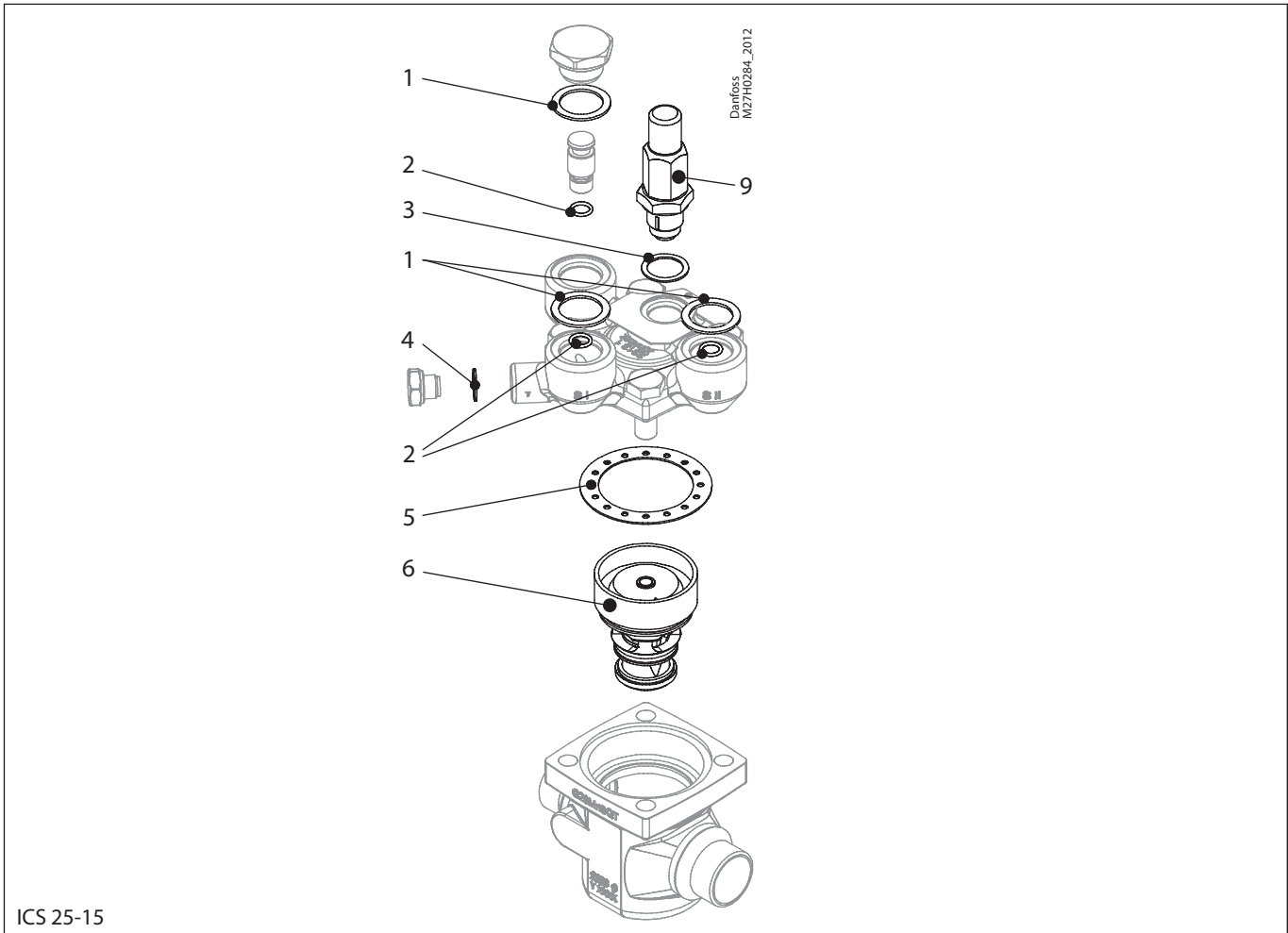


ICS 25-10

<p><b>1</b></p> <p> = Fibre</p> <p>Total no. = 3</p>	<p><b>2</b></p> <p> = Fibre</p> <p>Total no. = 3</p>	<p><b>3</b></p> <p> = Alu.</p> <p>Total no. = 1</p>	<p><b>4</b></p> <p> = Alu.</p> <p>Total no. = 1</p>	<p><b>5</b></p> <p> = Fibre</p> <p>Total no. = 1</p>
<p><b>6</b></p> <p>Total no. = 1</p>		<p><b>9</b></p> <p>Total no. = 1</p>		

Data sheet – Spare parts and accessories

Overhaul kit | Code number 027H3019  
ICS, size 25-15

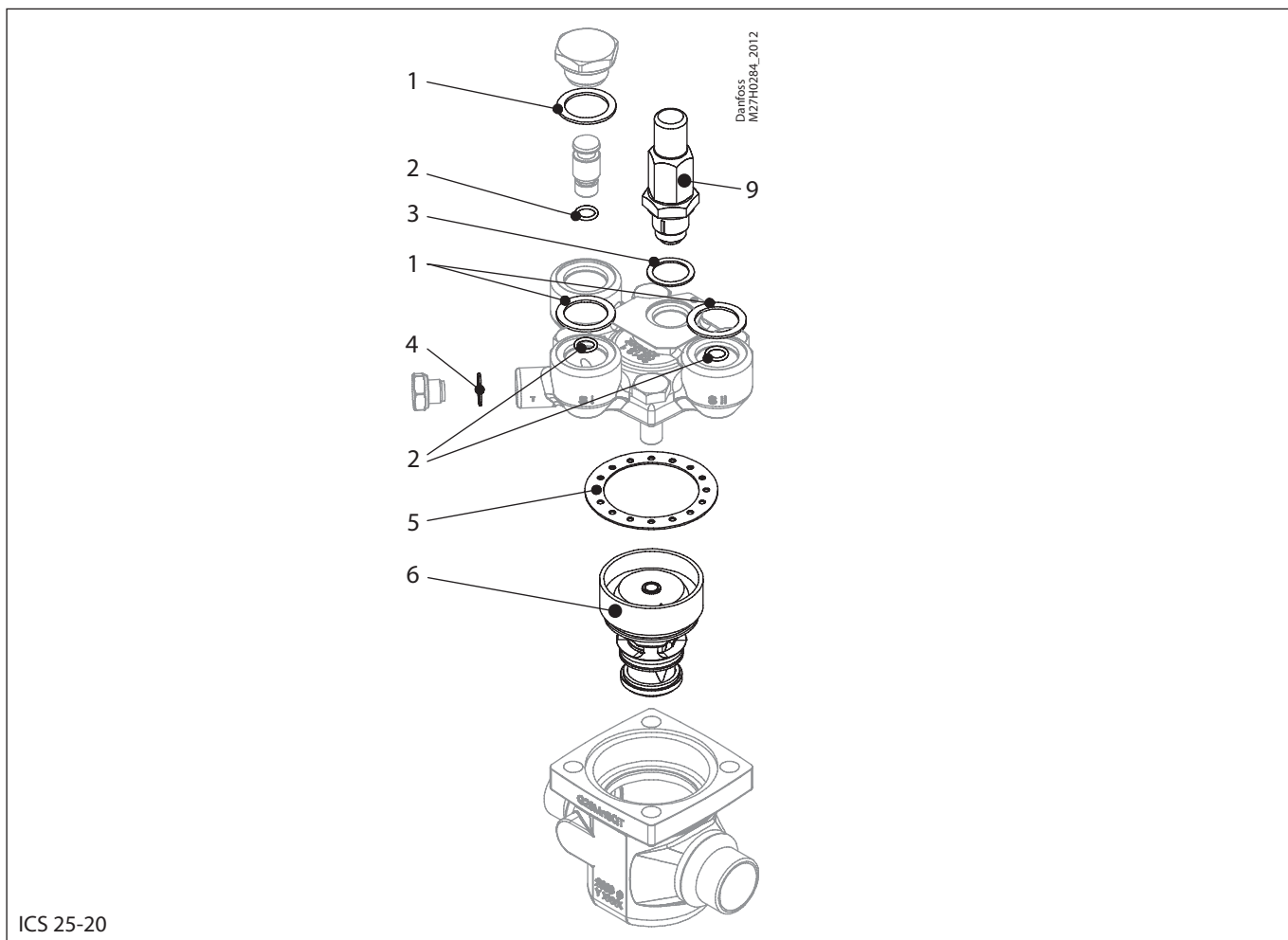


ICS 25-15

<p><b>1</b></p> <p> = Fibre</p> <p>Total no. = 3</p>	<p><b>2</b></p> <p> <math>\emptyset</math></p> <p>Total no. = 3</p>	<p><b>3</b></p> <p> = Alu.</p> <p>Total no. = 1</p>	<p><b>4</b></p> <p> = Alu.</p> <p>Total no. = 1</p>	<p><b>5</b></p> <p> = Fibre</p> <p>Total no. = 1</p>
<p><b>6</b></p> <p>Total no. = 1</p>		<p><b>9</b></p> <p>Total no. = 1</p>		

Data sheet – Spare parts and accessories

Overhaul kit | Code number 027H3043  
ICS, size 25-20

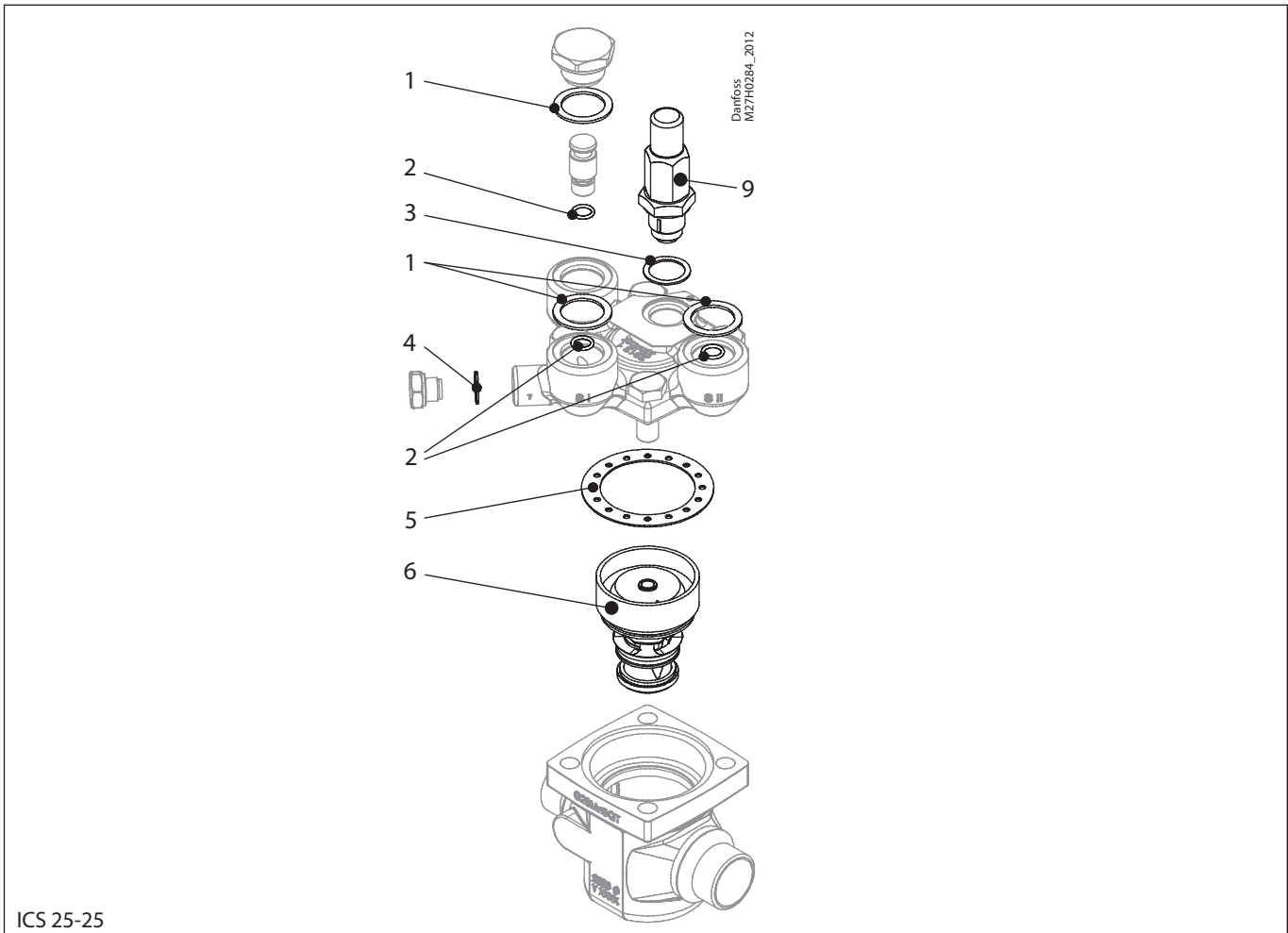


ICS 25-20

<p><b>1</b></p> <p> = Fibre</p> <p>Total no. = 3</p>	<p><b>2</b></p> <p> = Fibre</p> <p>Total no. = 3</p>	<p><b>3</b></p> <p> = Alu.</p> <p>Total no. = 1</p>	<p><b>4</b></p> <p> = Alu.</p> <p>Total no. = 1</p>	<p><b>5</b></p> <p> = Fibre</p> <p>Total no. = 1</p>
<p><b>6</b></p> <p>Total no. = 1</p>		<p><b>9</b></p> <p>Total no. = 1</p>		

Data sheet – Spare parts and accessories

Overhaul kit | Code number 027H3044  
ICS, size 25-25

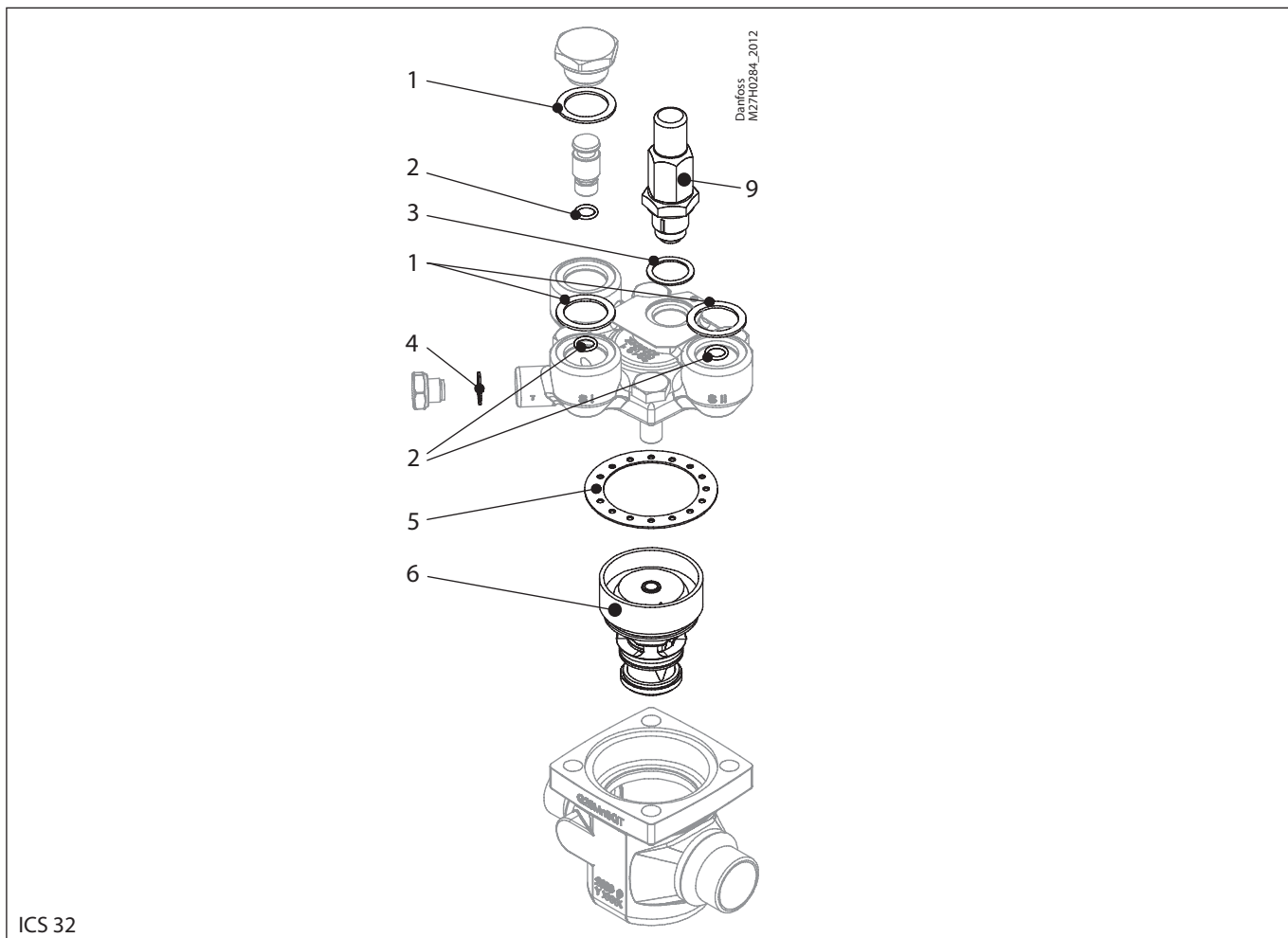


ICS 25-25

<p><b>1</b></p> <p> = Fibre</p> <p>Total no. = 3</p>	<p><b>2</b></p> <p> = Fibre</p> <p>Total no. = 3</p>	<p><b>3</b></p> <p> = Alu.</p> <p>Total no. = 1</p>	<p><b>4</b></p> <p> = Alu.</p> <p>Total no. = 1</p>	<p><b>5</b></p> <p> = Fibre</p> <p>Total no. = 1</p>
<p><b>6</b></p> <p>Total no. = 1</p>		<p><b>9</b></p> <p>Total no. = 1</p>		

Data sheet – Spare parts and accessories

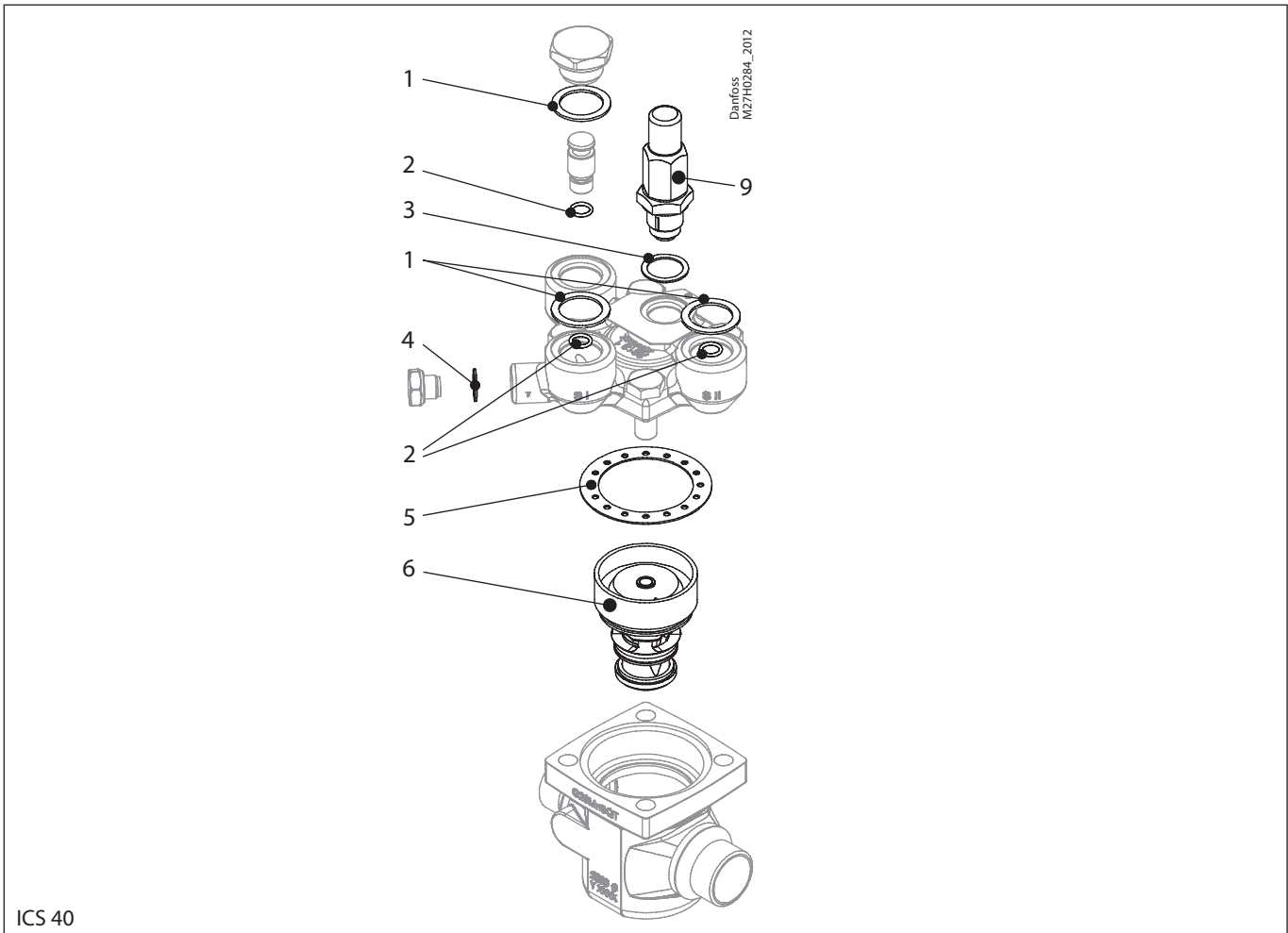
Overhaul kit | Code number 027H3018  
ICS, size 32



<p><b>1</b></p> <p> = Fibre</p> <p><math>\varnothing 32.5 \text{ mm}</math> <math>\varnothing 1.28''</math></p> <p>Total no. = 3</p>	<p><b>2</b></p> <p> </p> <p><math>\varnothing 9 \text{ mm}</math> <math>\varnothing 0.36''</math></p> <p>Total no. = 3</p>	<p><b>3</b></p> <p> = Alu.</p> <p><math>\varnothing 26 \text{ mm}</math> <math>\varnothing 1.02''</math></p> <p>Total no. = 1</p>	<p><b>4</b></p> <p> = Alu.</p> <p><math>\varnothing 18 \text{ mm}</math> <math>\varnothing 0.7''</math></p> <p>Total no. = 1</p>	<p><b>5</b></p> <p> = Fibre</p> <p><math>\varnothing 86 \text{ mm}</math> <math>\varnothing 3.39''</math></p> <p>Total no. = 1</p>
<p><b>6</b></p> <p><math>\varnothing 65 \text{ mm}</math> <math>\varnothing 2.56''</math></p> <p>Total no. = 1</p>	<p><b>9</b></p> <p>Total no. = 1</p>			

Data sheet – Spare parts and accessories

Overhaul kit | Code number 027H4016  
ICS, size 40



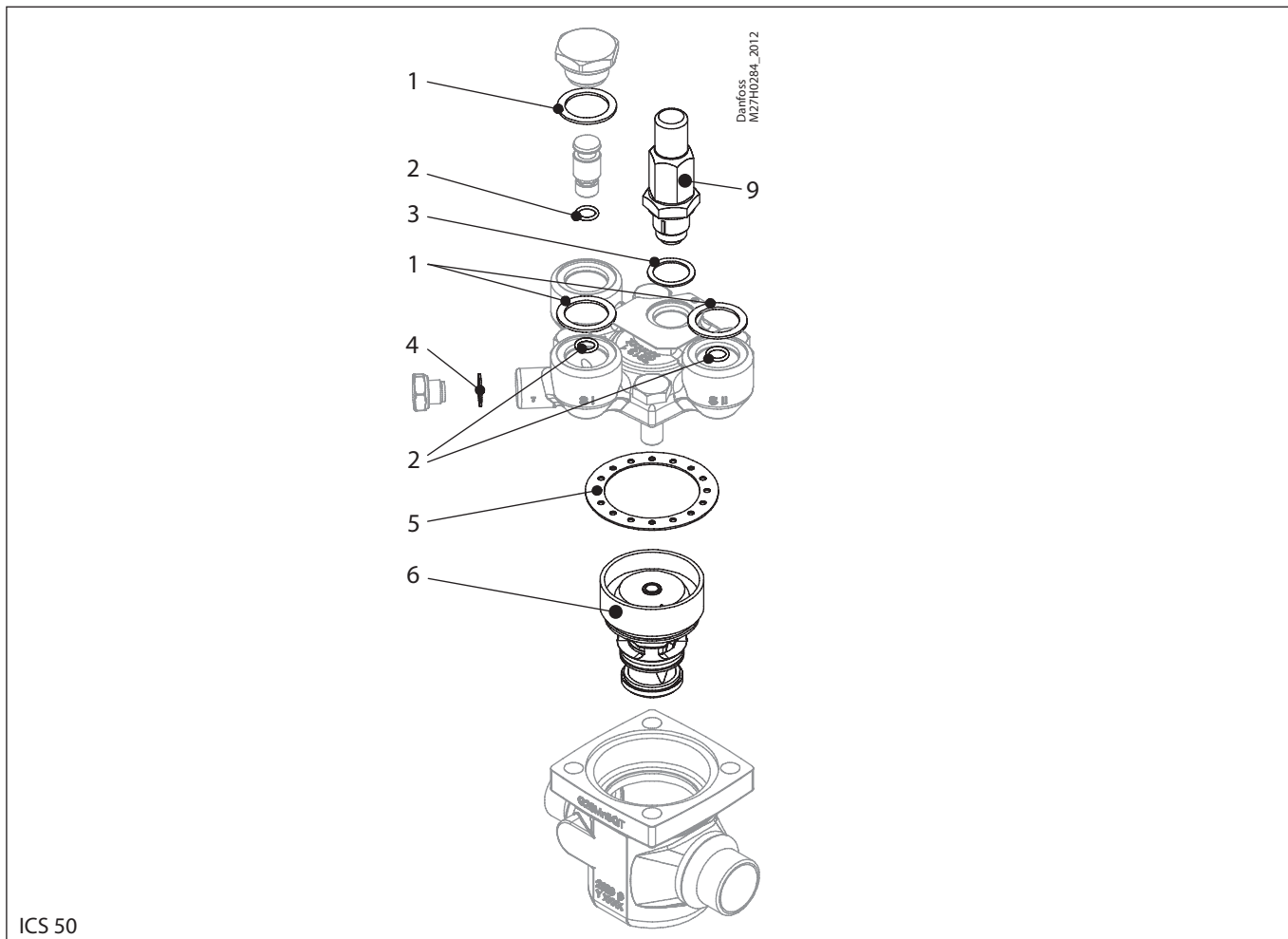
ICS 40

<p><b>1</b></p> <p> = Fibre</p> <p>Total no. = 3</p>	<p><b>2</b></p> <p></p> <p>Total no. = 3</p>	<p><b>3</b></p> <p> = Alu.</p> <p>Total no. = 1</p>	<p><b>4</b></p> <p> = Alu.</p> <p>Total no. = 1</p>	<p><b>5</b></p> <p> = Fibre</p> <p>Total no. = 1</p>
<p><b>6</b></p> <p>Total no. = 1</p>	<p><b>9</b></p> <p>Total no. = 1</p>			



Data sheet – Spare parts and accessories

Overhaul kit | Code number 027H5016  
ICS, size 50

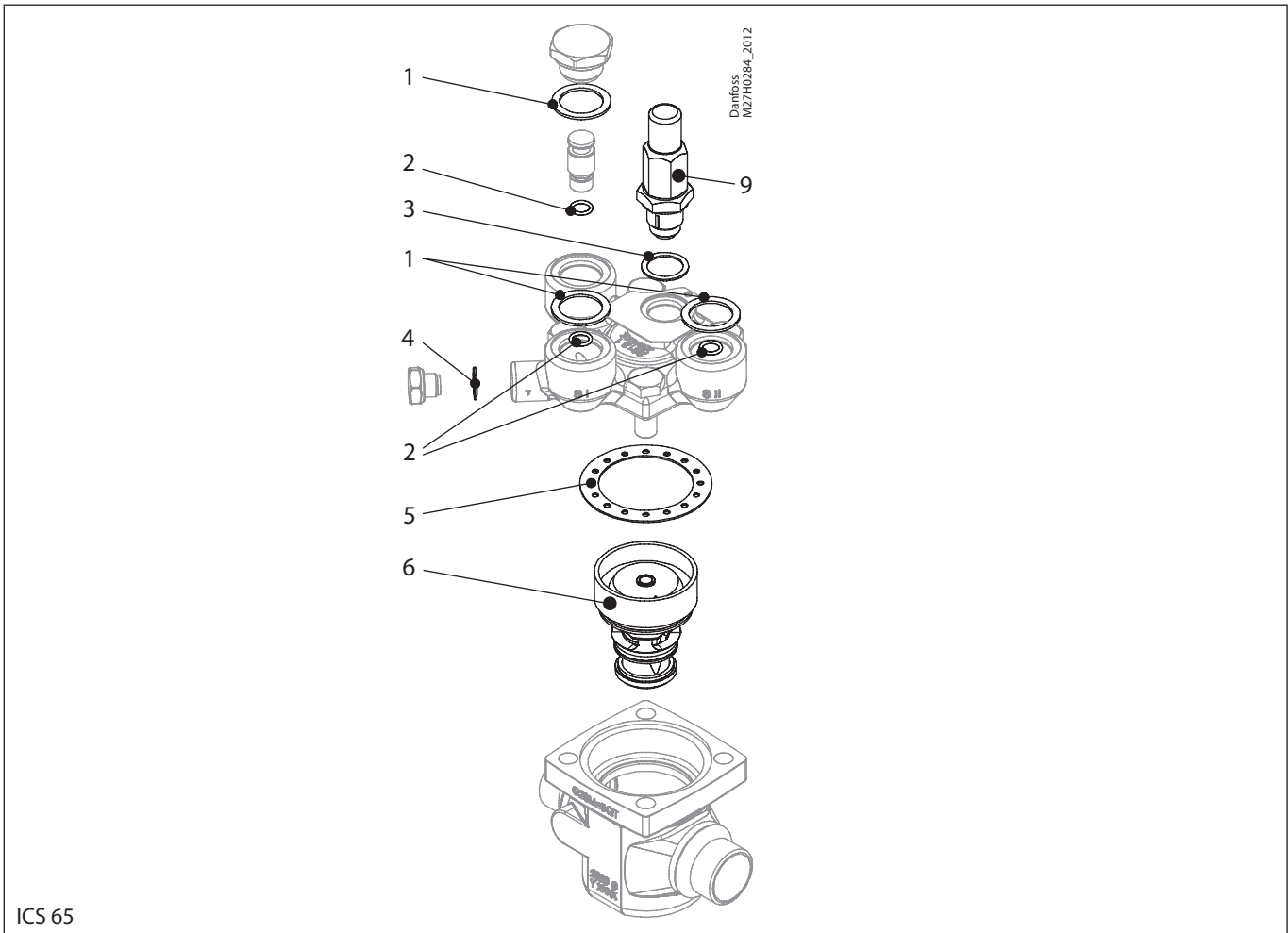


ICS 50

<p><b>1</b></p> <p> = Fibre</p> <p>Total no. = 3</p>	<p><b>2</b></p> <p></p> <p>Total no. = 3</p>	<p><b>3</b></p> <p> = Alu.</p> <p>Total no. = 1</p>	<p><b>4</b></p> <p> = Alu.</p> <p>Total no. = 1</p>	<p><b>5</b></p> <p> = Fibre</p> <p>Total no. = 1</p>
<p><b>6</b></p> <p>Total no. = 1</p>	<p><b>9</b></p> <p>Total no. = 1</p>			

Data sheet – Spare parts and accessories

Overhaul kit | Code number 027H6018  
ICS, size 65

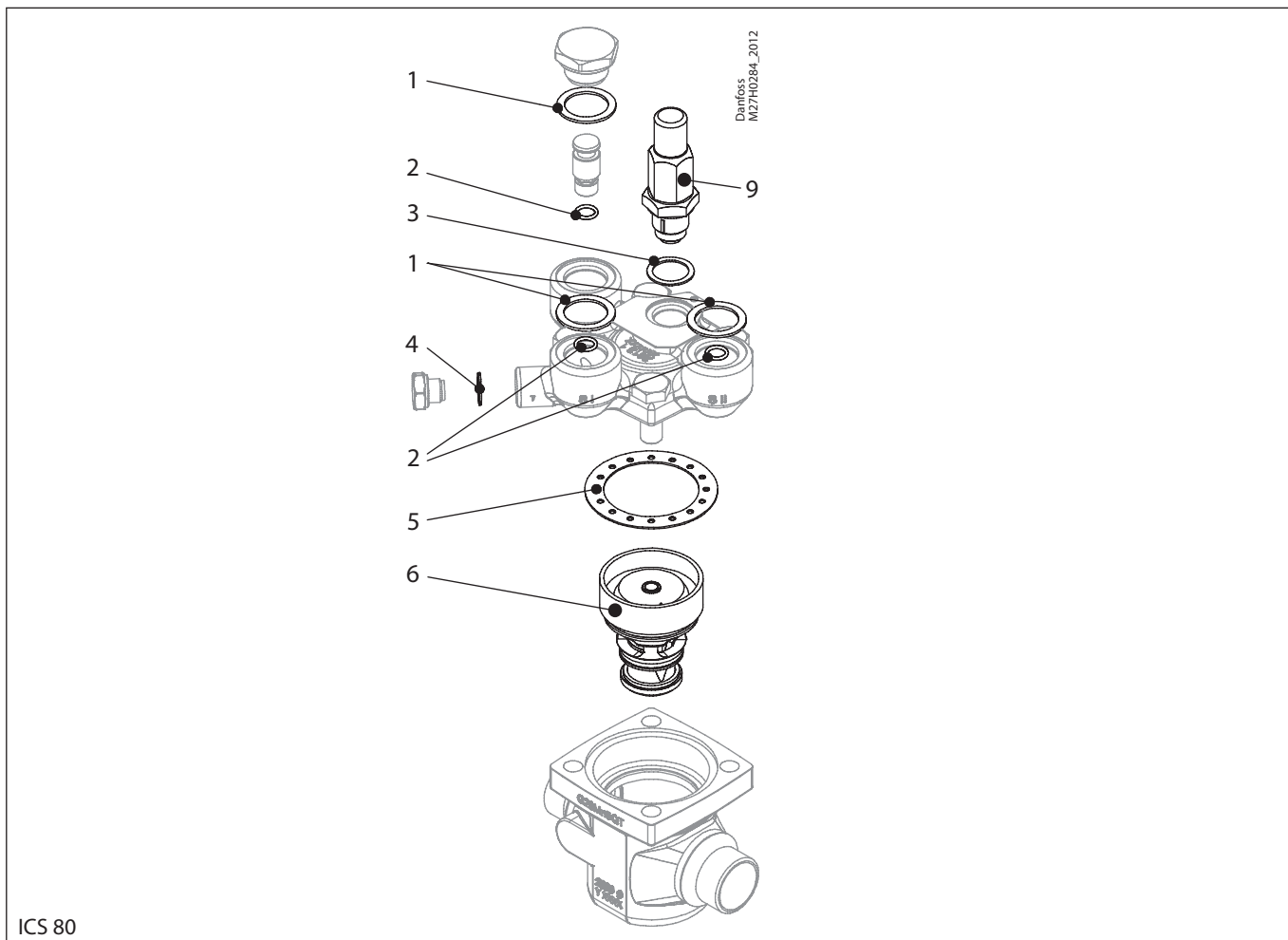


ICS 65

<p><b>1</b></p> <p> = Fibre</p> <p>Total no. = 3</p>	<p><b>2</b></p> <p> = Alu.</p> <p>Total no. = 3</p>	<p><b>3</b></p> <p> = Alu.</p> <p>Total no. = 1</p>	<p><b>4</b></p> <p> = Alu.</p> <p>Total no. = 1</p>	<p><b>5</b></p> <p> = Fibre</p> <p>Total no. = 1</p>
<p><b>6</b></p> <p>Total no. = 1</p>	<p><b>9</b></p> <p>Total no. = 1</p>			

Data sheet – Spare parts and accessories

Overhaul kit | Code number 027H6028  
ICS, size 80

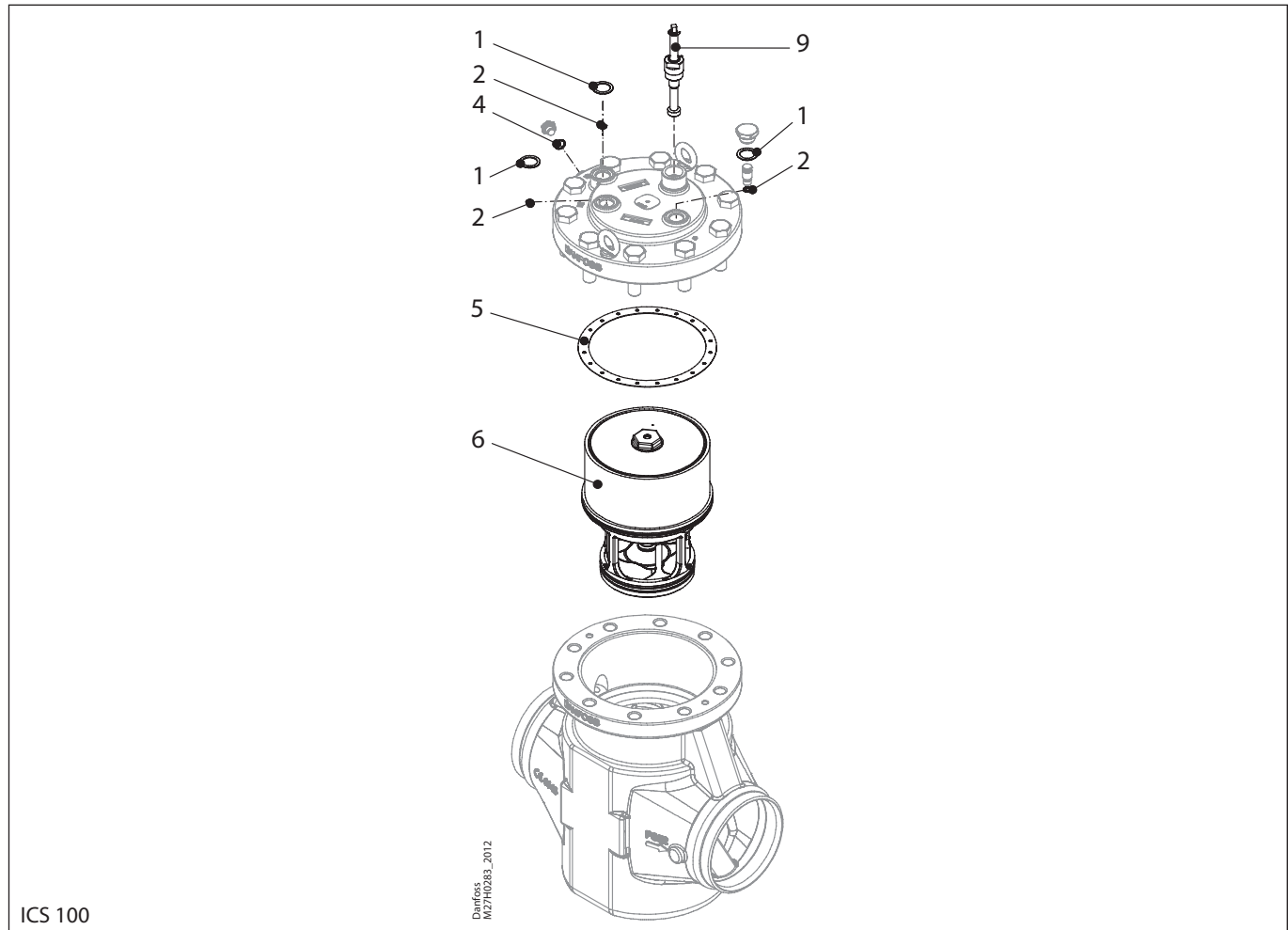


ICS 80

<p><b>1</b></p> <p> = Fibre</p> <p>Ø32.5 mm Ø1.28"</p> <p>Total no. = 3</p>	<p><b>2</b></p> <p>Ø9 mm Ø0.36"</p> <p>Total no. = 3</p>	<p><b>3</b></p> <p> = Alu.</p> <p>Ø26 mm Ø1.02"</p> <p>Total no. = 1</p>	<p><b>4</b></p> <p> = Alu.</p> <p>Ø18 mm Ø0.7"</p> <p>Total no. = 1</p>	<p><b>5</b></p> <p> = Fibre</p> <p>Ø125 mm Ø4.92"</p> <p>Total no. = 1</p>
<p><b>6</b></p> <p>Ø110.9 mm Ø4.29"</p> <p>Total no. = 1</p>	<p><b>9</b></p> <p>Total no. = 1</p>			

Data sheet – Spare parts and accessories

**Overhaul kit | Code number 027H7193**  
**ICS, size 100**



ICS 100

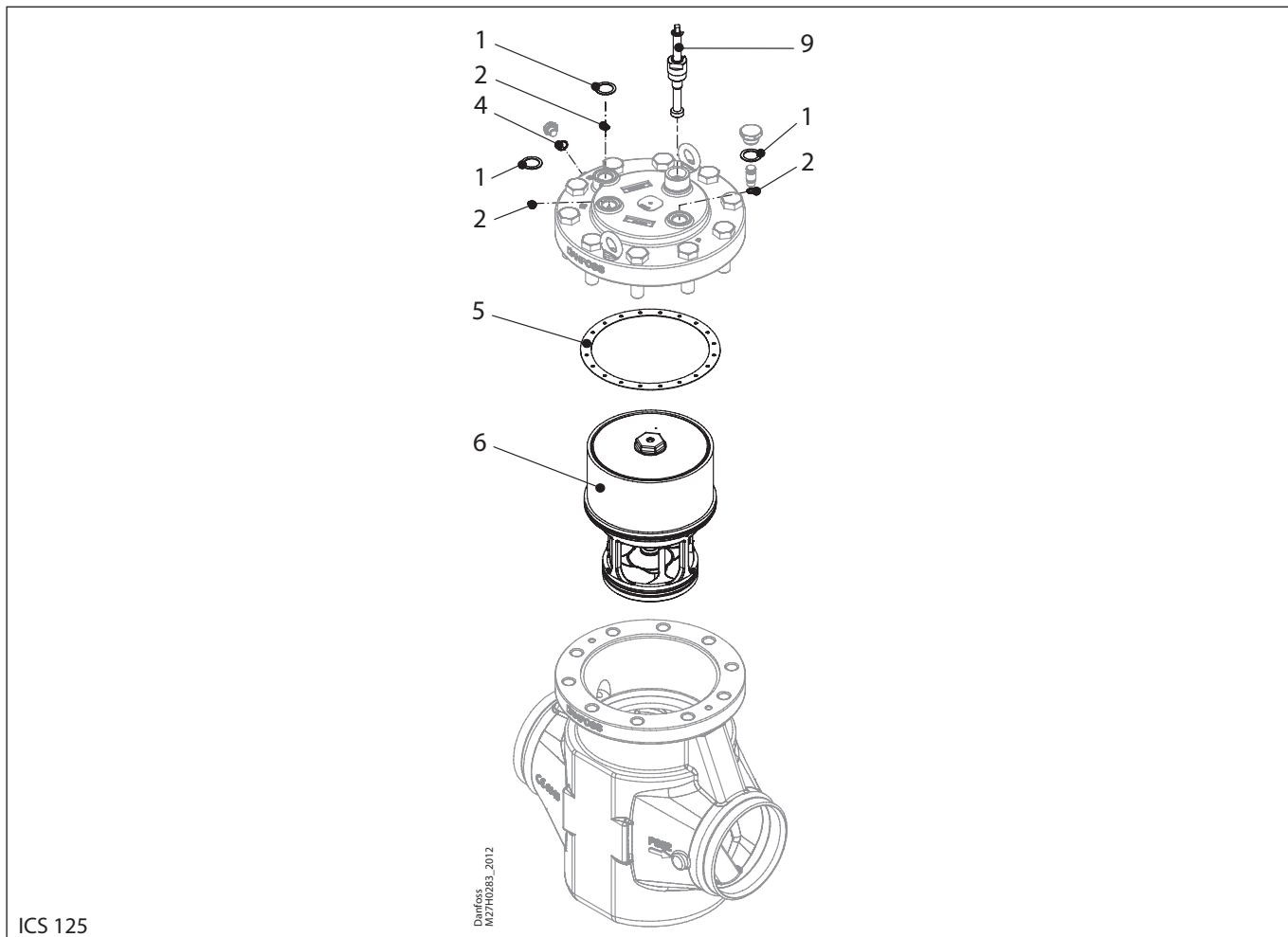
Danfoss  
M27H0883\_2012

<p><b>1</b></p> <p>Total no. = 3</p>	<p><b>2</b></p> <p>Total no. = 3</p>	<p><b>4</b></p> <p>Total no. = 1</p>	<p><b>5</b></p> <p>Total no. = 1</p>	<p><b>6</b></p> <p>Total no. = 1</p>
<p><b>9</b></p> <p>Total no. = 1</p>				

For a complete replacement of the ICS top cover including gasket; please see page 127.

Data sheet – Spare parts and accessories

Overhaul kit | Code number 027H7195  
ICS, size 125



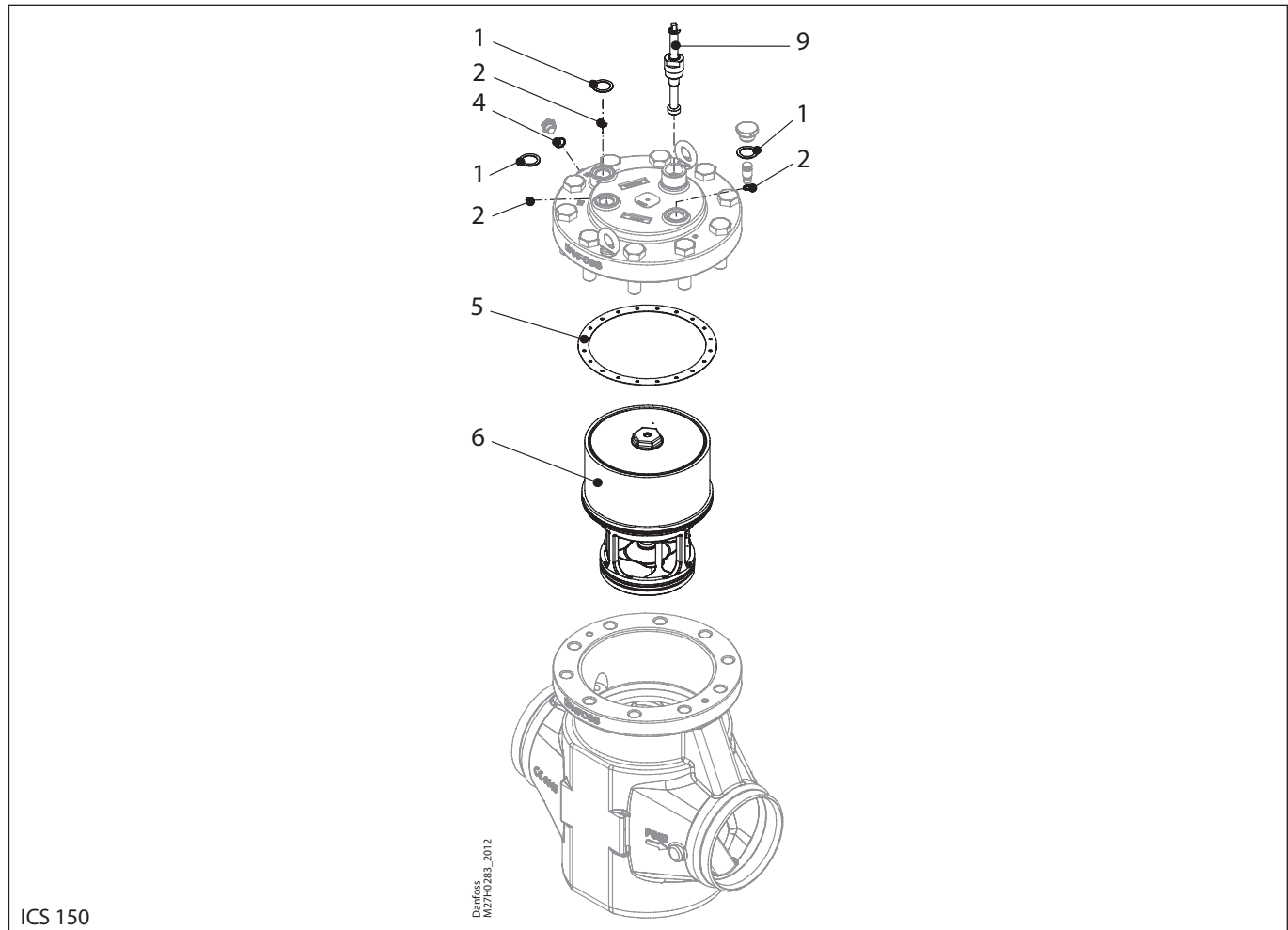
ICS 125

<p><b>1</b></p> <p> = Fibre</p> <p>Ø32.5 mm Ø1.28"</p> <p>Total no. = 3</p>	<p><b>2</b></p> <p>Ø9 mm Ø0.36"</p> <p>Total no. = 3</p>	<p><b>4</b></p> <p> = Alu.</p> <p>Ø18 mm Ø0.7"</p> <p>Total no. = 1</p>	<p><b>5</b></p> <p> = Fibre</p> <p>Ø178 mm Ø7.01"</p> <p>Total no. = 1</p>	<p><b>6</b></p> <p>Ø156 mm Ø6.14"</p> <p>Total no. = 1</p>
<p><b>9</b></p> <p>Total no. = 1</p>				

For a complete replacement of the ICS top cover including gasket; please see page 127.

Data sheet – Spare parts and accessories

Overhaul kit | Code number 027H7198  
ICS, size 150



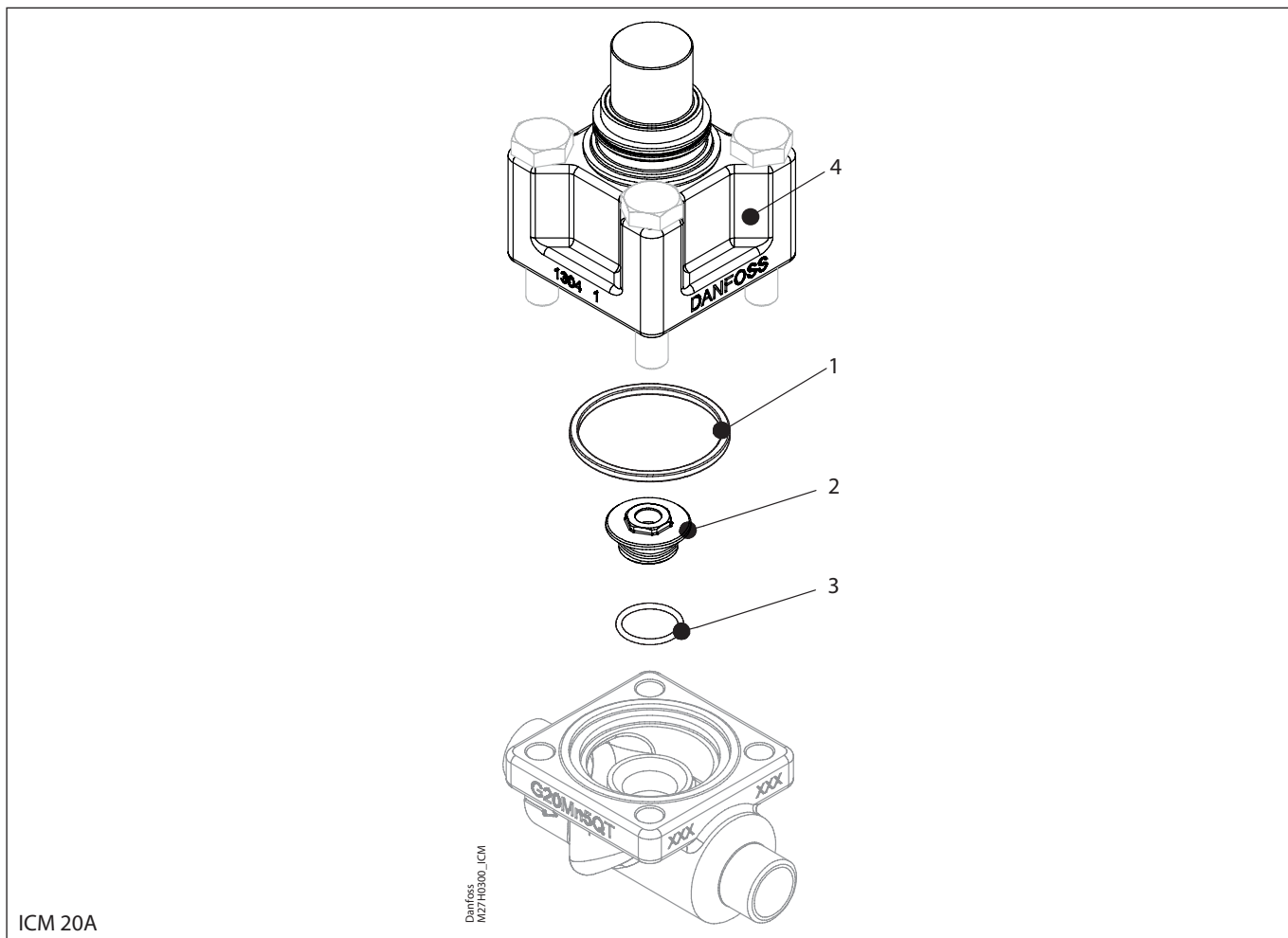
ICS 150

<p><b>1</b></p> <p> = Fibre</p> <p>Total no. = 3</p>	<p><b>2</b></p> <p>Total no. = 3</p>	<p><b>4</b></p> <p> = Alu.</p> <p>Total no. = 1</p>	<p><b>5</b></p> <p> = Fibre</p> <p>Total no. = 1</p>	<p><b>6</b></p> <p>Total no. = 1</p>
<p><b>9</b></p> <p>Total no. = 1</p>				

For a complete replacement of the ICS top cover including gasket; please see page 127.

Data sheet – Spare parts and accessories

Overhaul kit | Code number 027H1180  
 ICM, size 20A

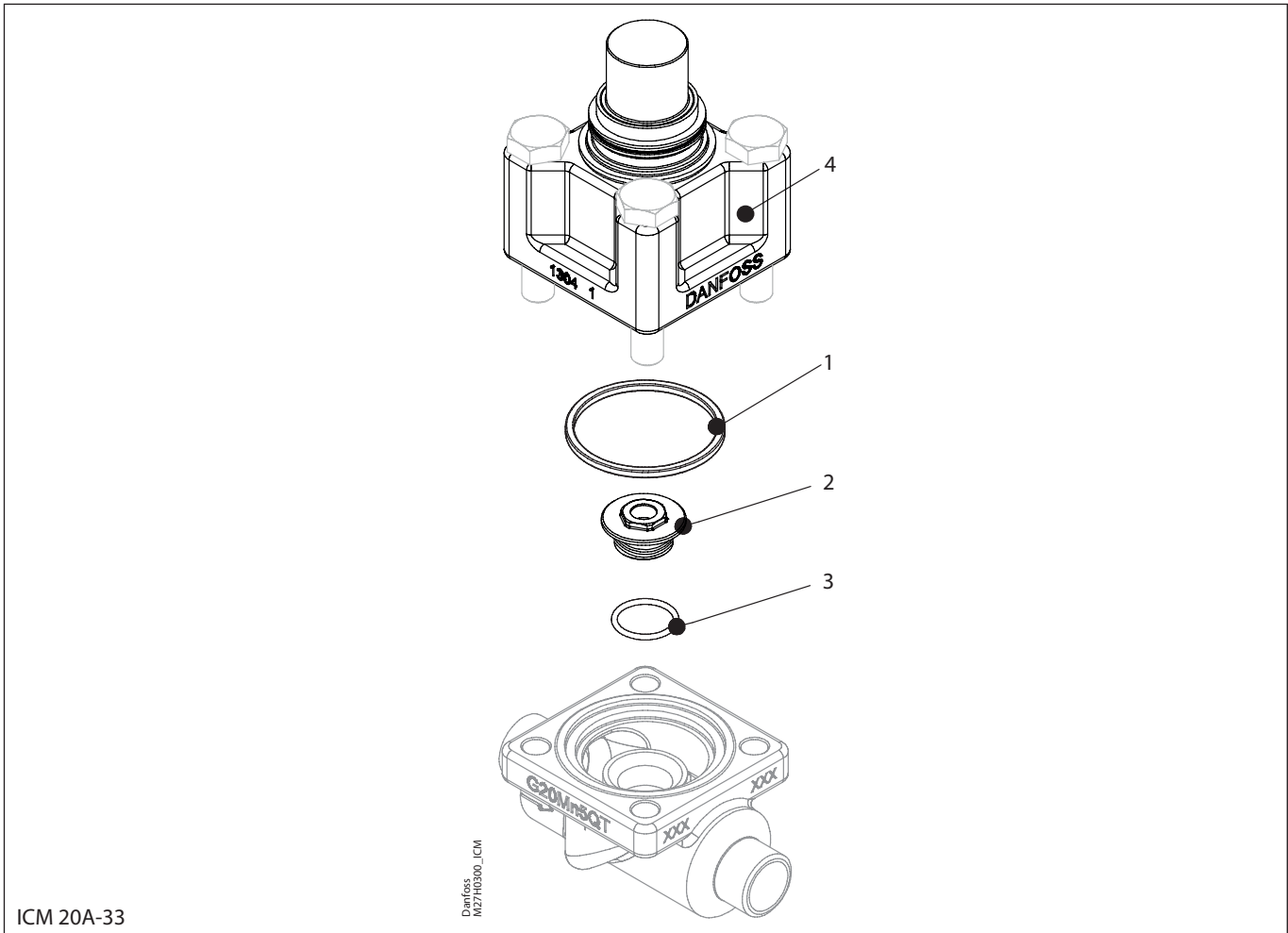


ICM 20A

<p><b>1</b></p> <p>Total no. = 1</p>	<p><b>2</b></p> <p>Total no. = 1</p>	<p><b>3</b></p> <p>Total no. = 1</p>	<p><b>4</b></p> <p>Cone type A:</p> <p>Total no. = 1</p>
--------------------------------------	--------------------------------------	--------------------------------------	--

Data sheet – Spare parts and accessories

Overhaul kit | Code number 027H1186  
ICM, size 20A-33



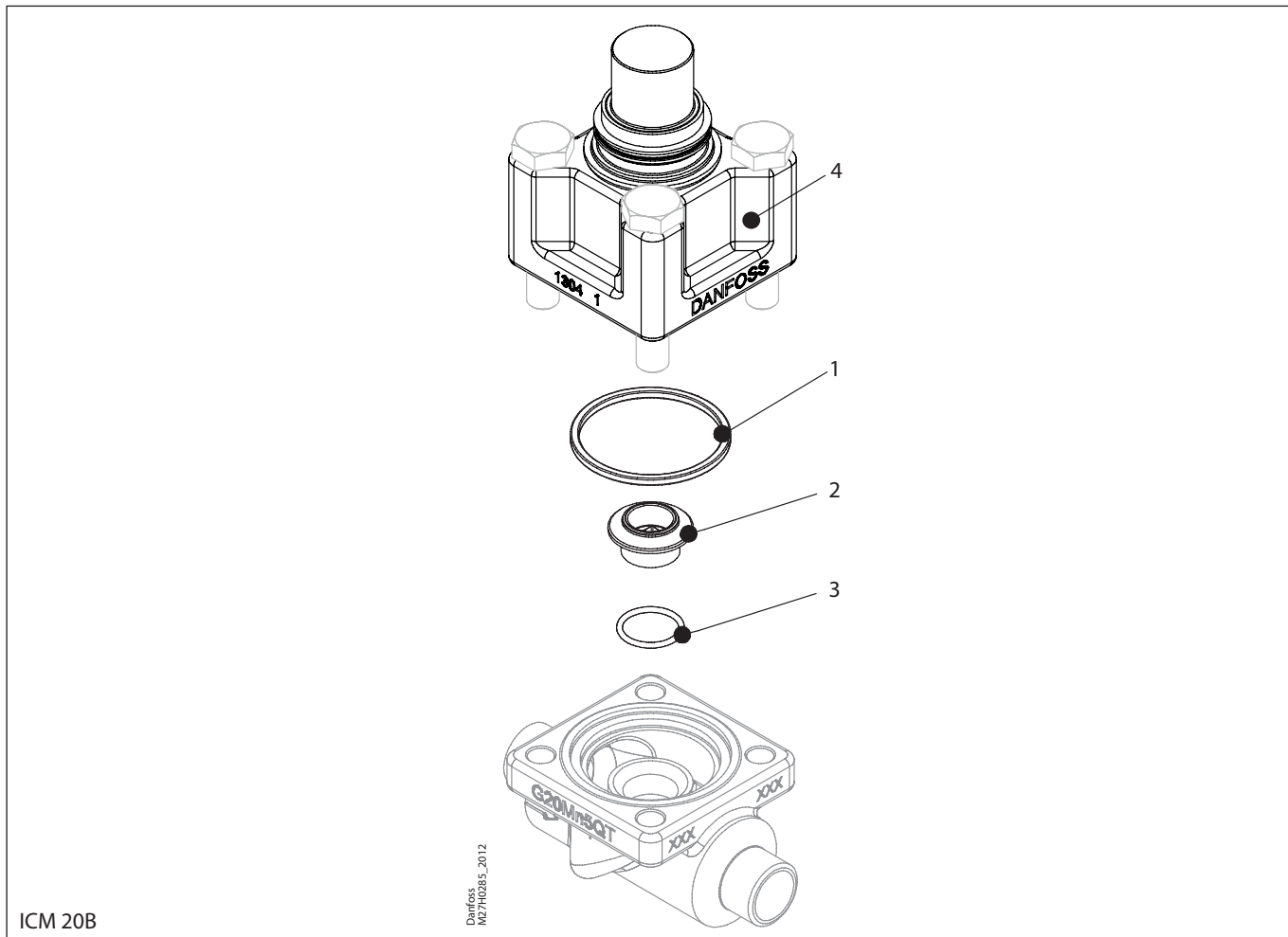
ICM 20A-33

<p><b>1</b></p> <p> = Rubber</p> <p>Ø49 mm Ø41.93"</p> <p>Total no. = 1</p>	<p><b>2</b></p> <p>Ø5.5 mm Ø0.217"</p> <p>Total no. = 1</p>	<p><b>3</b></p> <p>Ø17 mm Ø0.67"</p> <p>Total no. = 1</p>	<p><b>4</b></p> <p>Cone type A-33:</p> <p>Ø5.5 mm Ø0.22"</p> <p>7 mm 0.28"</p> <p>Total no. = 1</p>
---	---	---	---



Data sheet – Spare parts and accessories

Overhaul kit | Code number 027H1181  
 ICM, size 20B



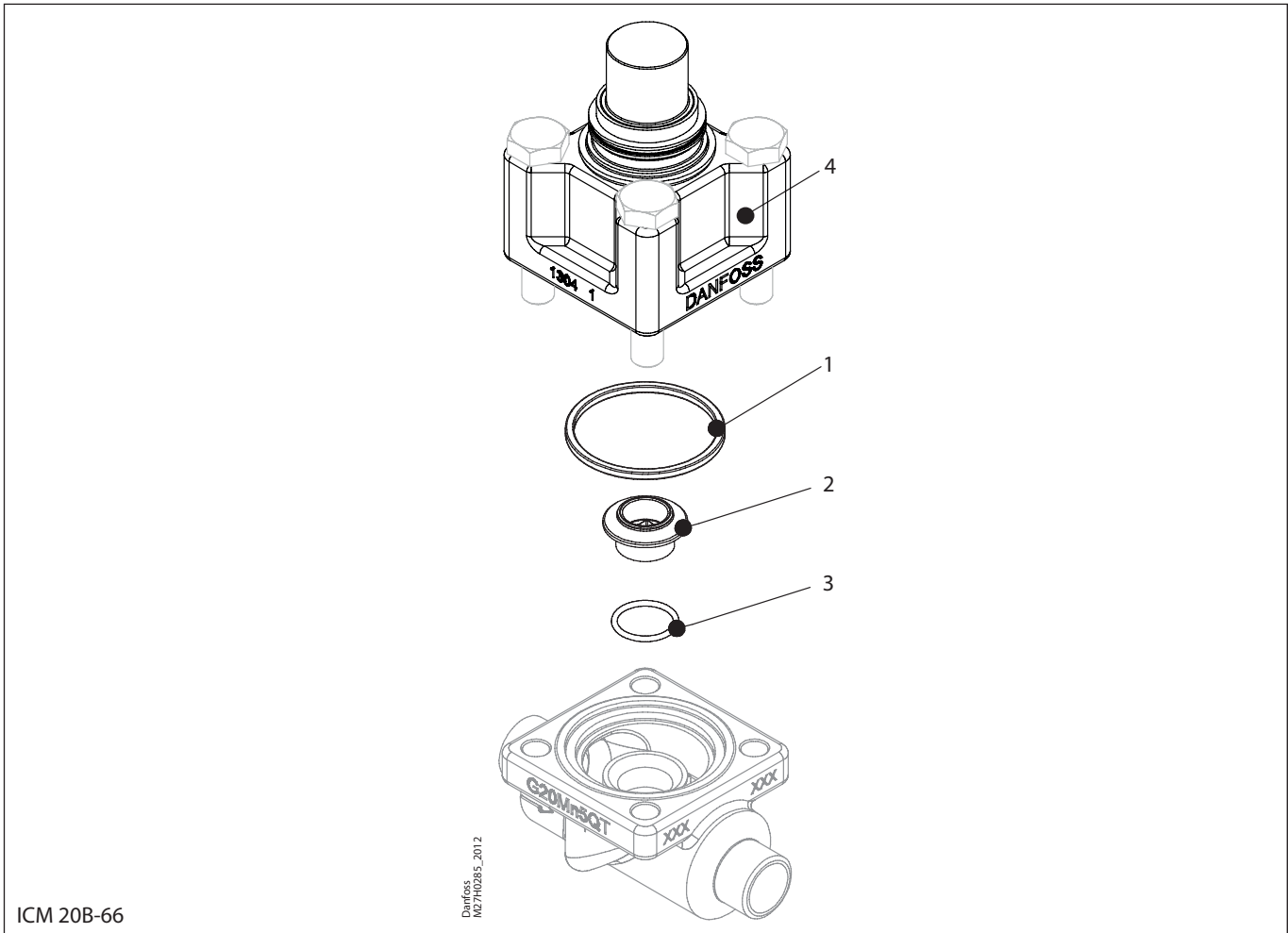
ICM 20B

Danfoss  
M27H0285\_2012

<p><b>1</b></p> <p>Total no. = 1</p>	<p><b>2</b></p> <p>Total no. = 1</p>	<p><b>3</b></p> <p>Total no. = 1</p>	<p><b>4</b></p> <p>Cone type B:          Total no. = 1</p>
--------------------------------------	--------------------------------------	--------------------------------------	--

Data sheet – Spare parts and accessories

Overhaul kit | Code number 027H1194  
ICM, size 20B-66

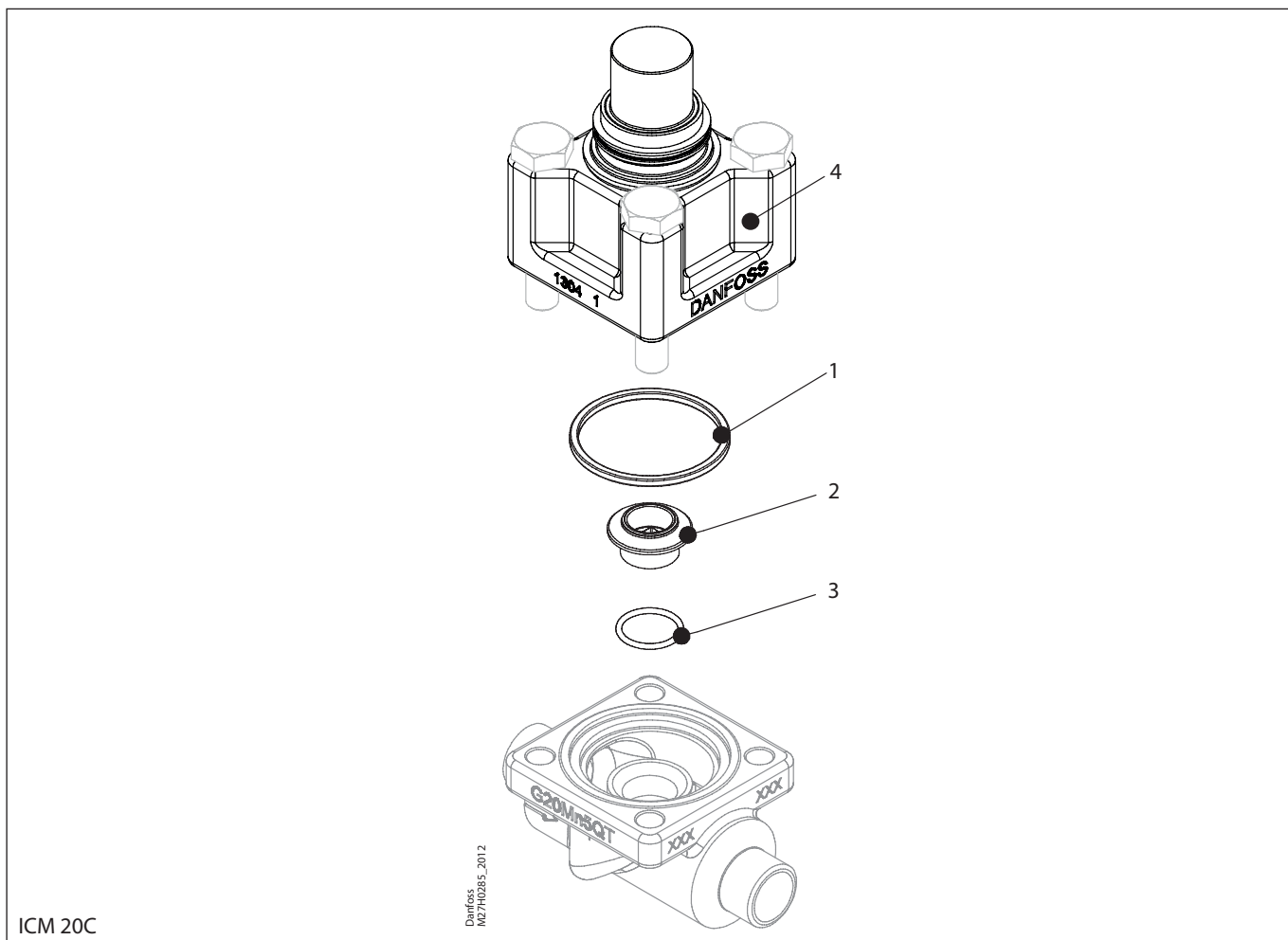


ICM 20B-66

<p><b>1</b></p> <p> = Rubber</p> <p>Total no. = 1</p>	<p><b>2</b></p> <p>Total no. = 1</p>	<p><b>3</b></p> <p>Total no. = 1</p>	<p><b>4</b></p> <p>Cone type B-66:</p> <p>Total no. = 1</p>
---	--------------------------------------	--------------------------------------	---

Data sheet – Spare parts and accessories

Overhaul kit | Code number 027H1182  
 ICM, size 20C



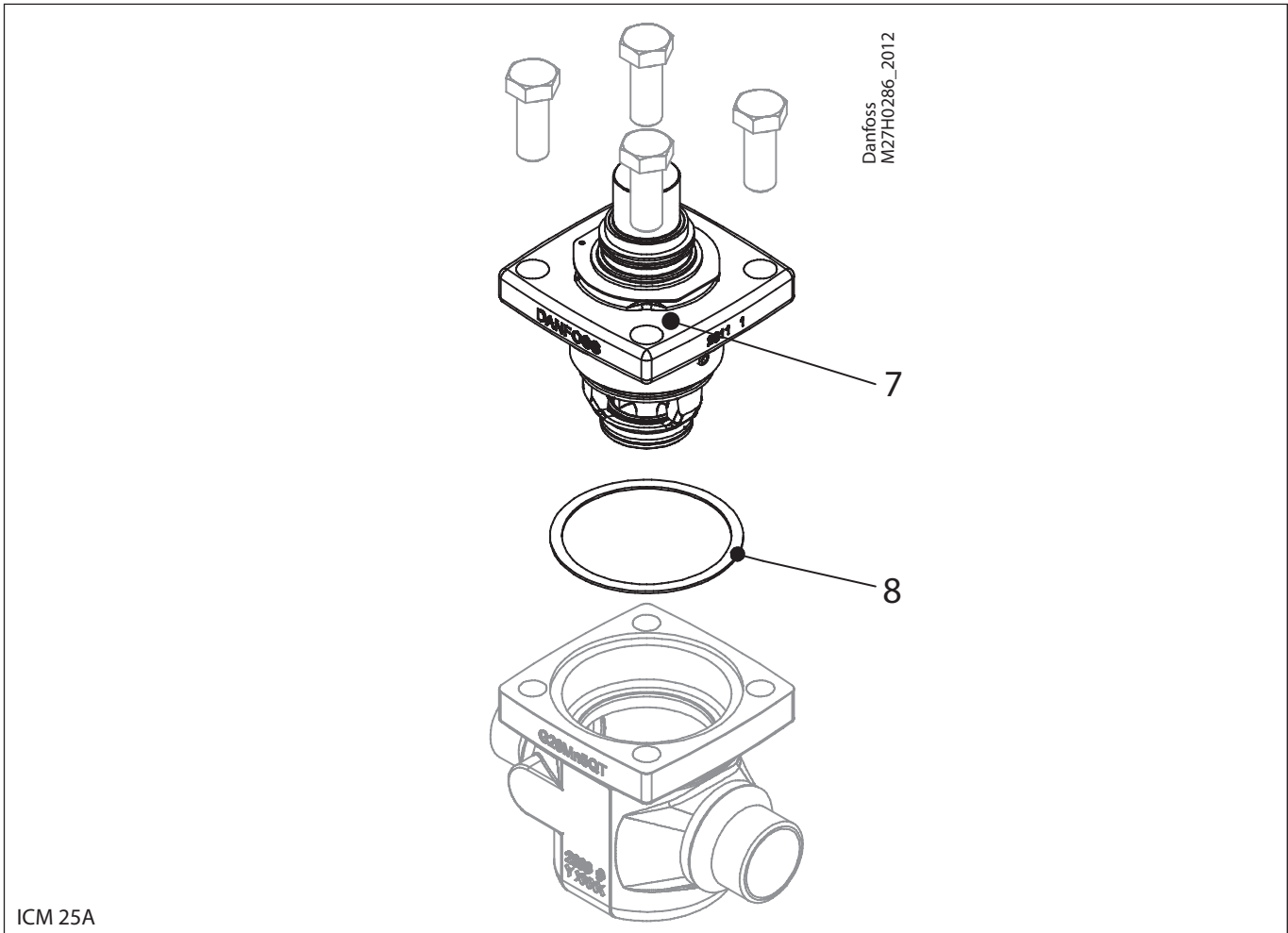
ICM 20C

Danfoss  
 MZ7H0285\_2012

<p><b>1</b></p> <p>Total no. = 1</p>	<p><b>2</b></p> <p>Total no. = 1</p>	<p><b>3</b></p> <p>Total no. = 1</p>	<p><b>4</b></p> <p>Cone type C:      3 mm      0.12"</p> <p>Total no. = 1</p>
--------------------------------------	--------------------------------------	--------------------------------------	---

Data sheet – Spare parts and accessories

Overhaul kit | Code number 027H2180  
ICM, size 25A

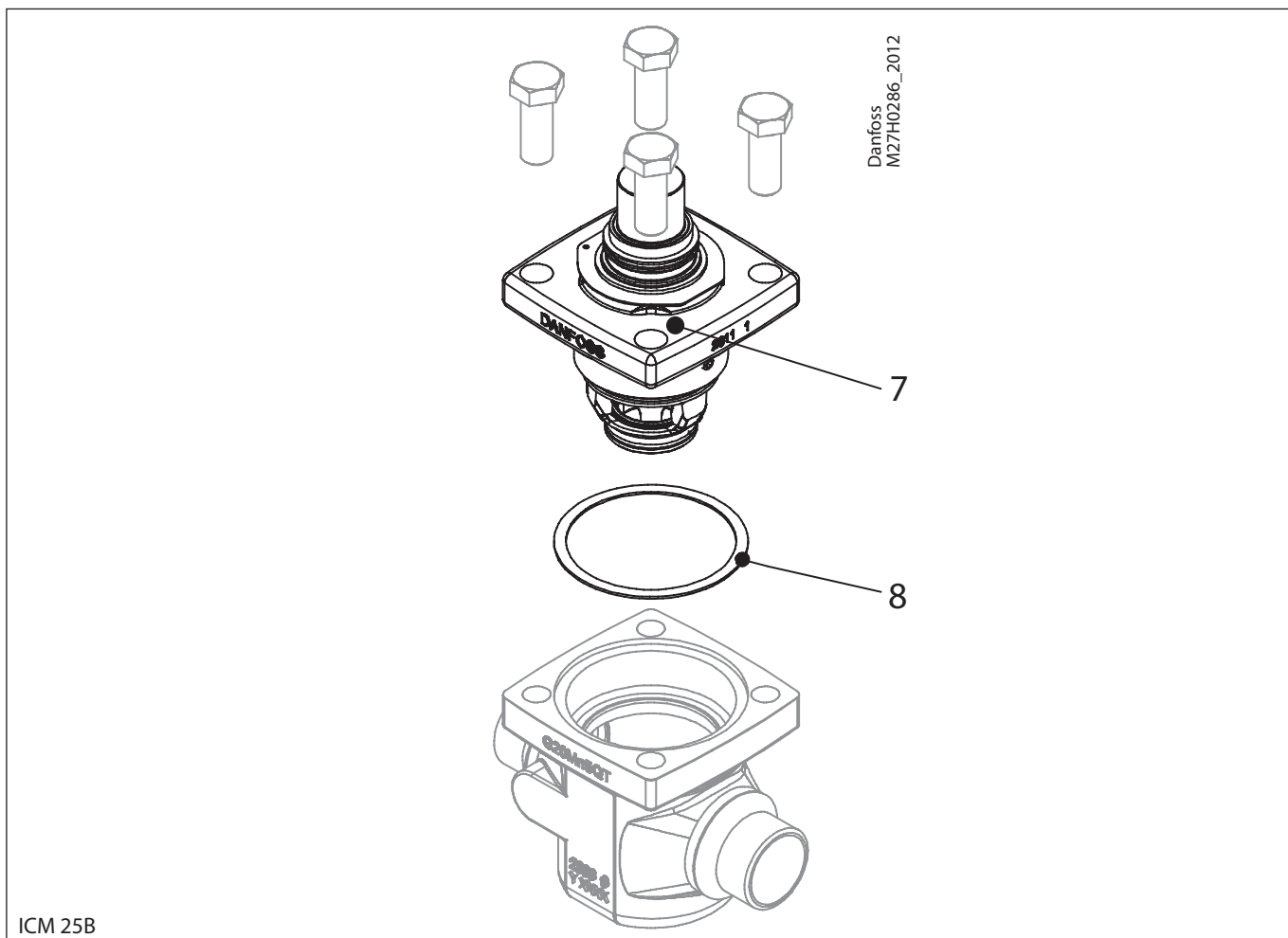


ICM 25A

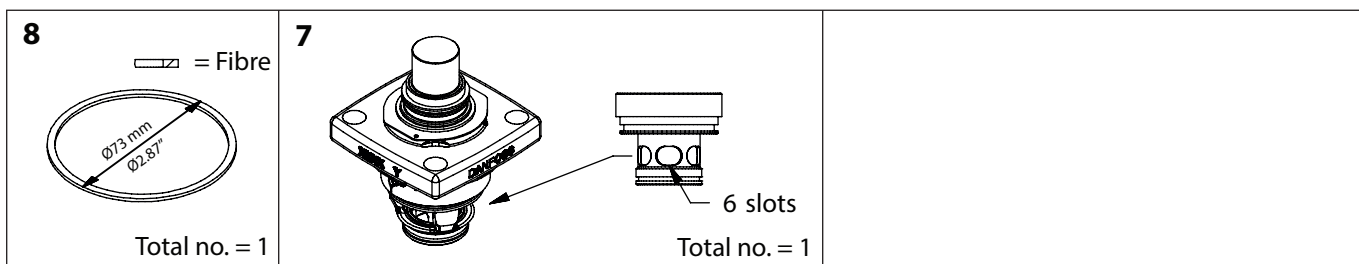
<p><b>8</b></p> <p>Total no. = 1</p>	<p><b>7</b></p> <p>3 holes Total no. = 1</p>	
--------------------------------------	--	--

Data sheet – Spare parts and accessories

Overhaul kit | Code number 027H2181  
ICM, size 25B

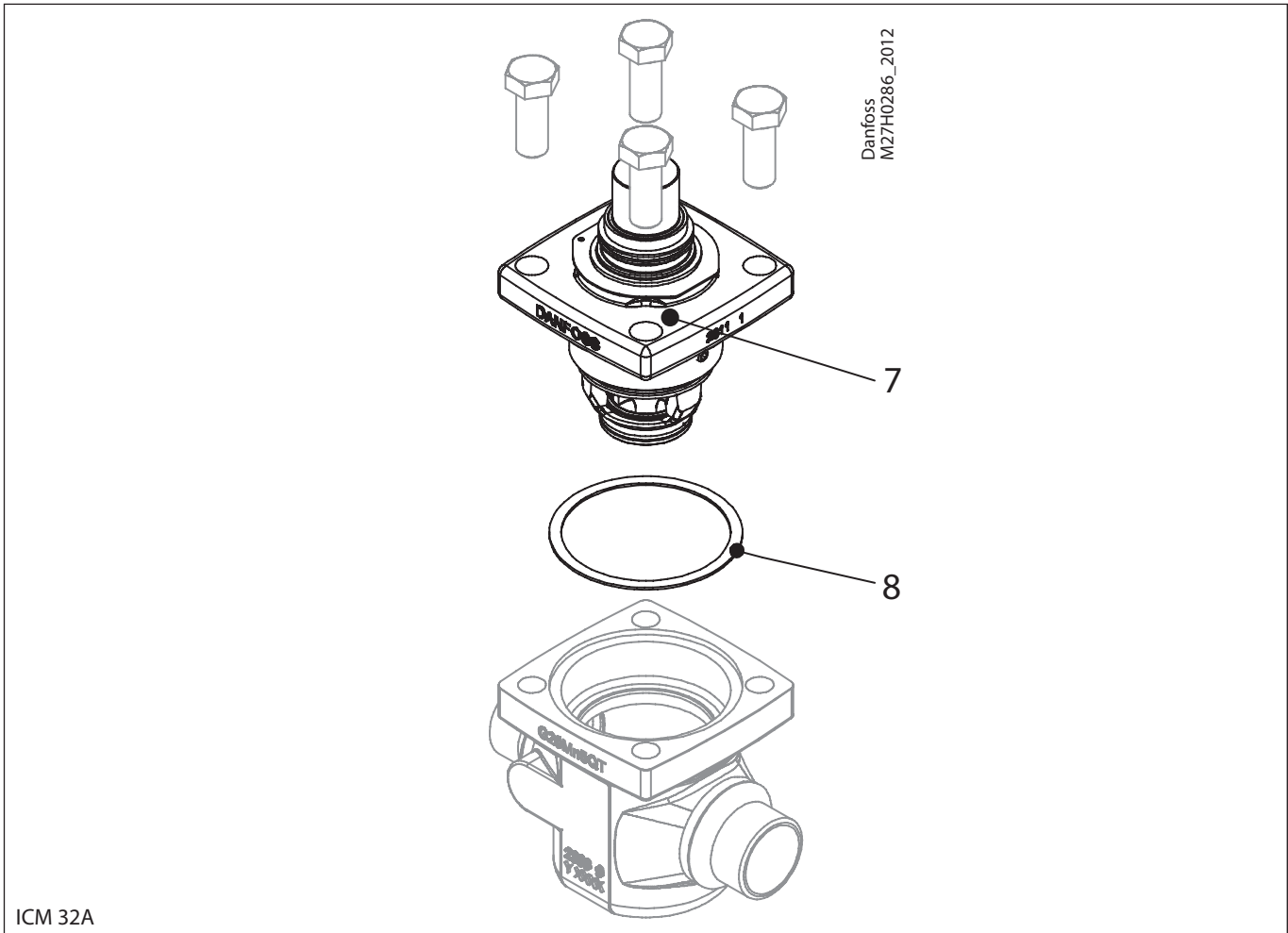


ICM 25B



Data sheet – Spare parts and accessories

Overhaul kit | Code number 027H3180  
 ICM, size 32A

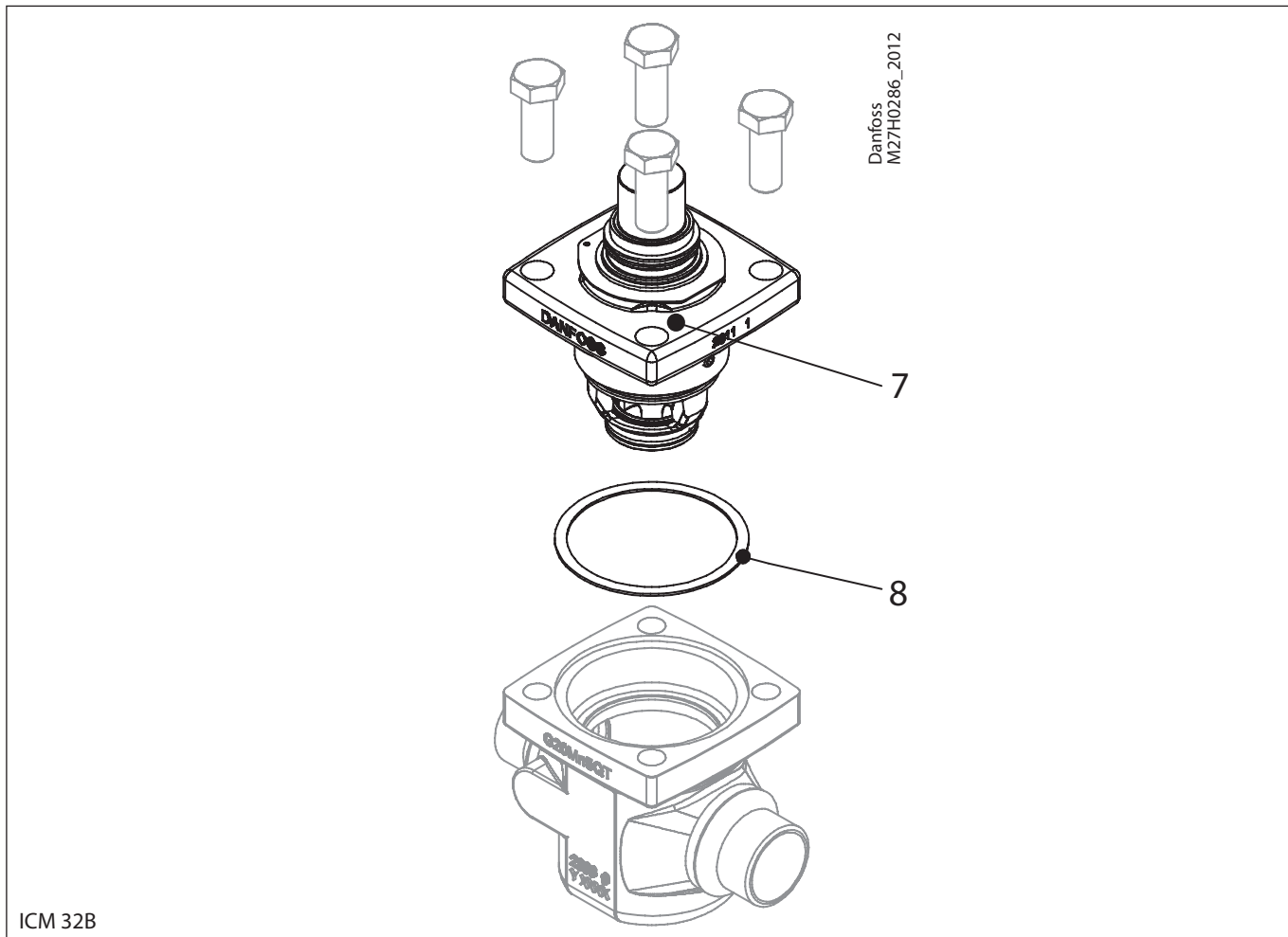


ICM 32A

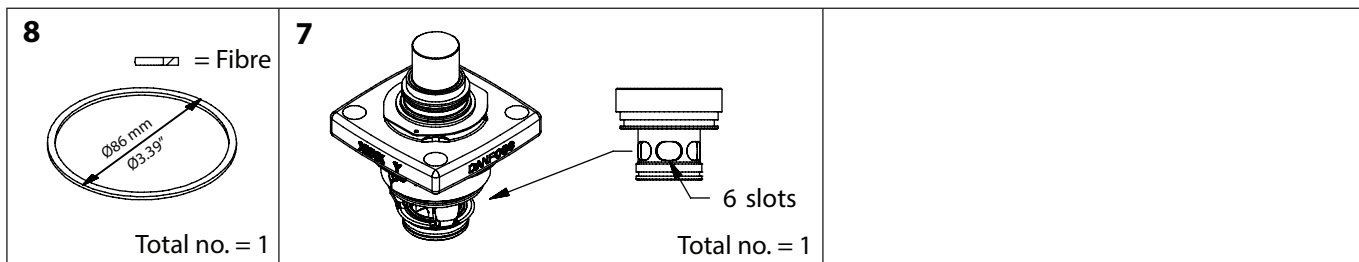
<p><b>8</b></p> <p>— = Fibre</p> <p>Ø86 mm        Ø3.39"</p> <p>Total no. = 1</p>	<p><b>7</b></p> <p>4 holes</p> <p>Total no. = 1</p>	
---	---	--

Data sheet – Spare parts and accessories

Overhaul kit | Code number 027H3181  
ICM, size 32B

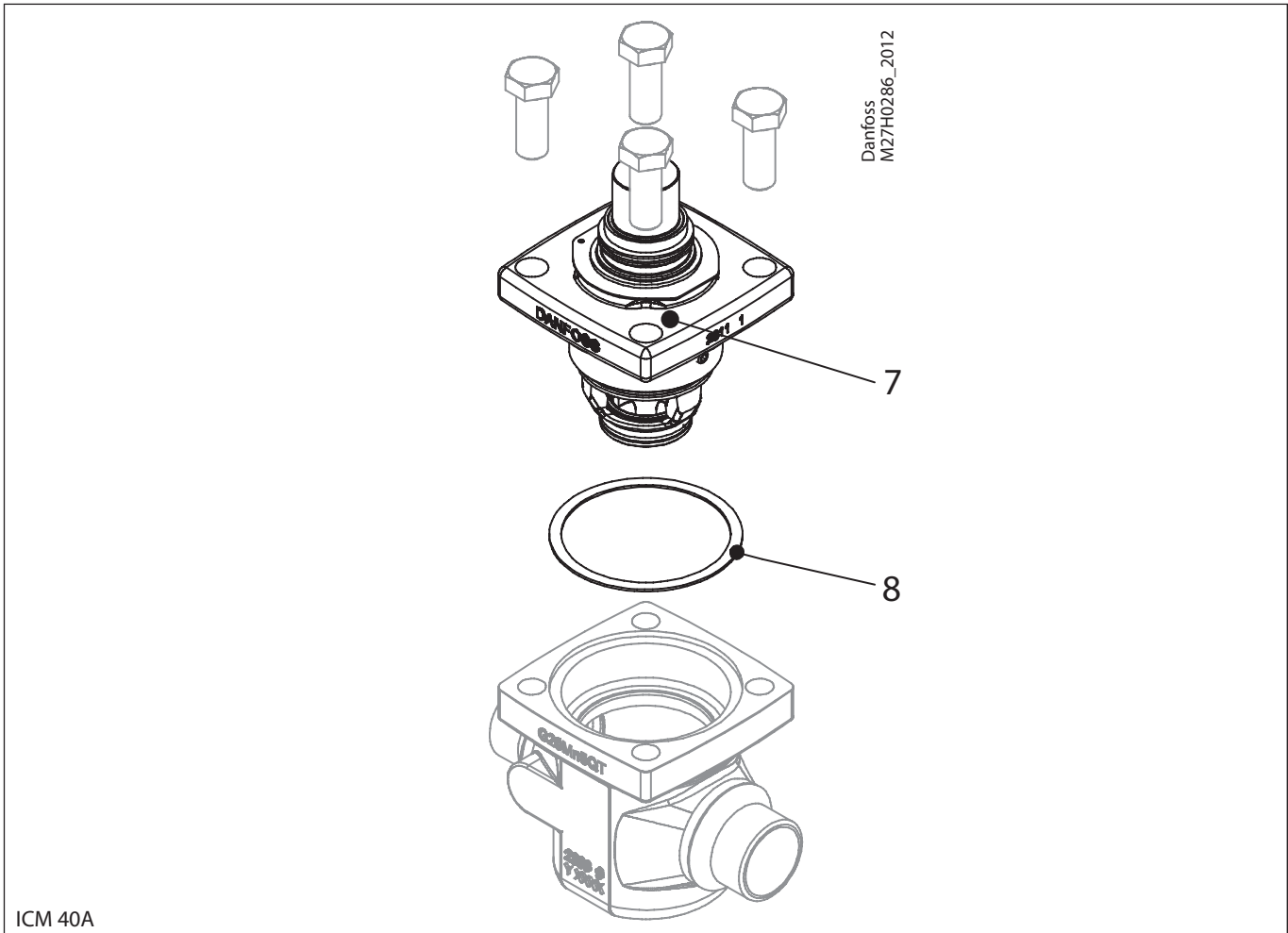


ICM 32B

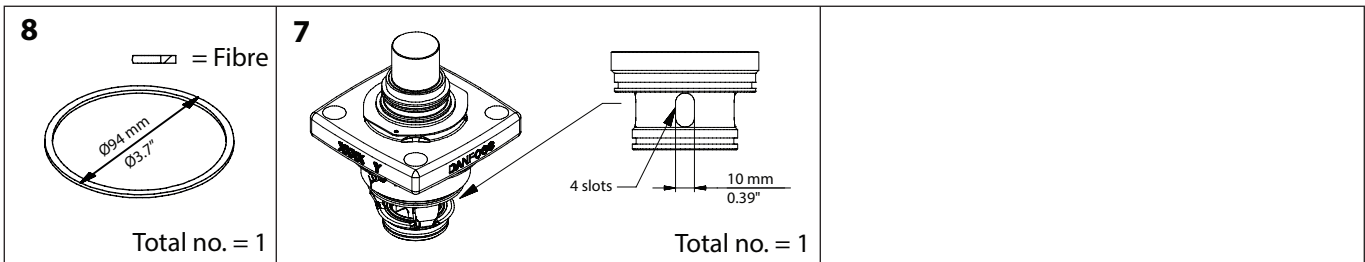


Data sheet – Spare parts and accessories

Overhaul kit | Code number 027H4180  
 ICM, size 40A



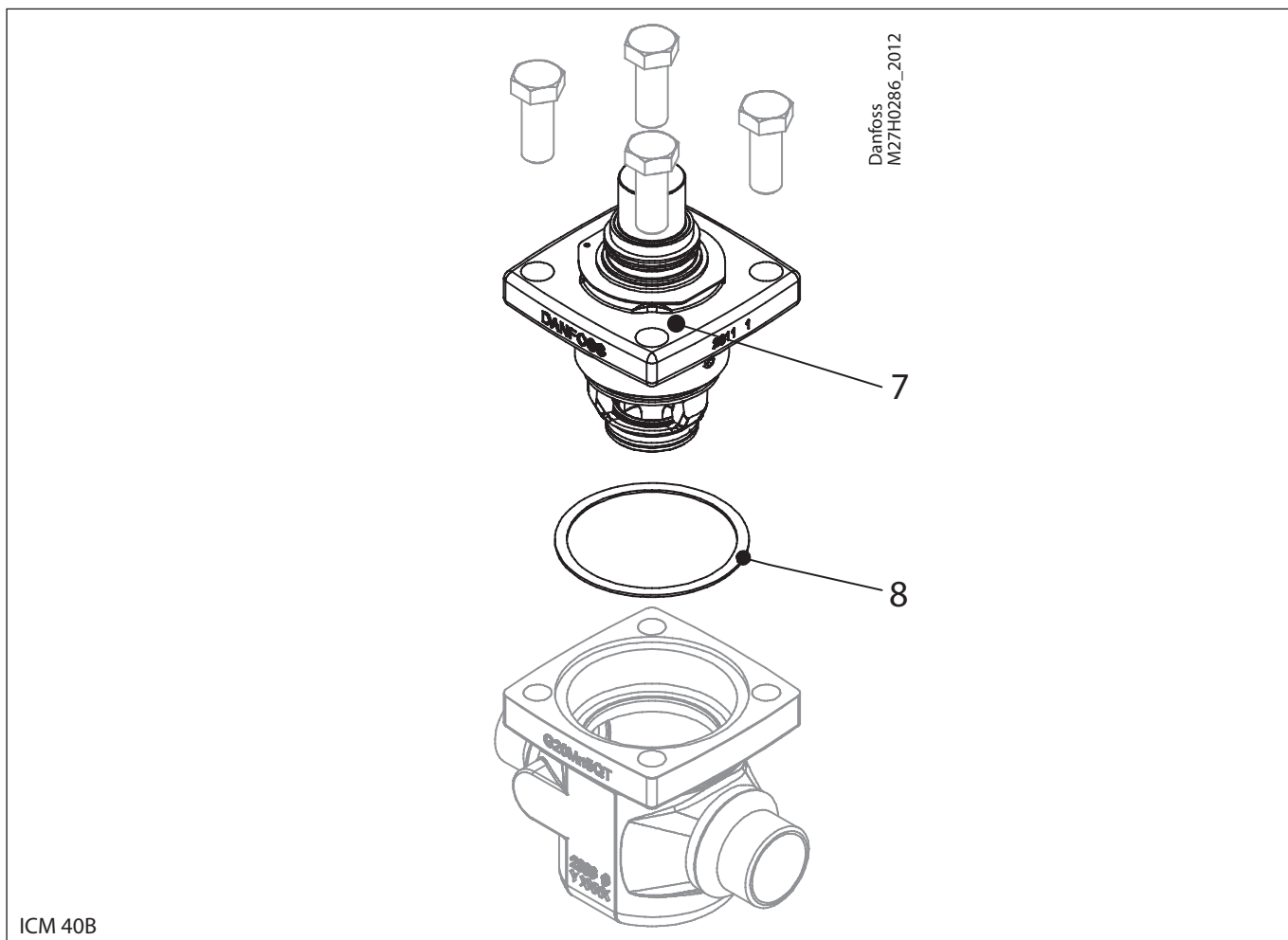
ICM 40A



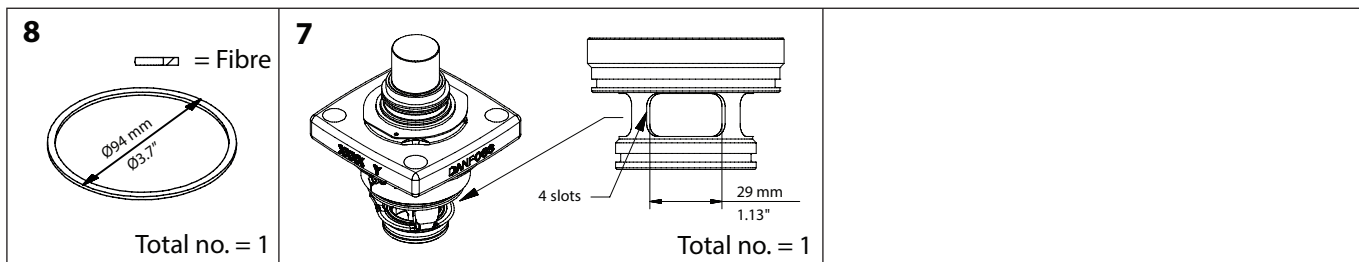


Data sheet – Spare parts and accessories

Overhaul kit | Code number 027H4181  
 ICM, size 40B

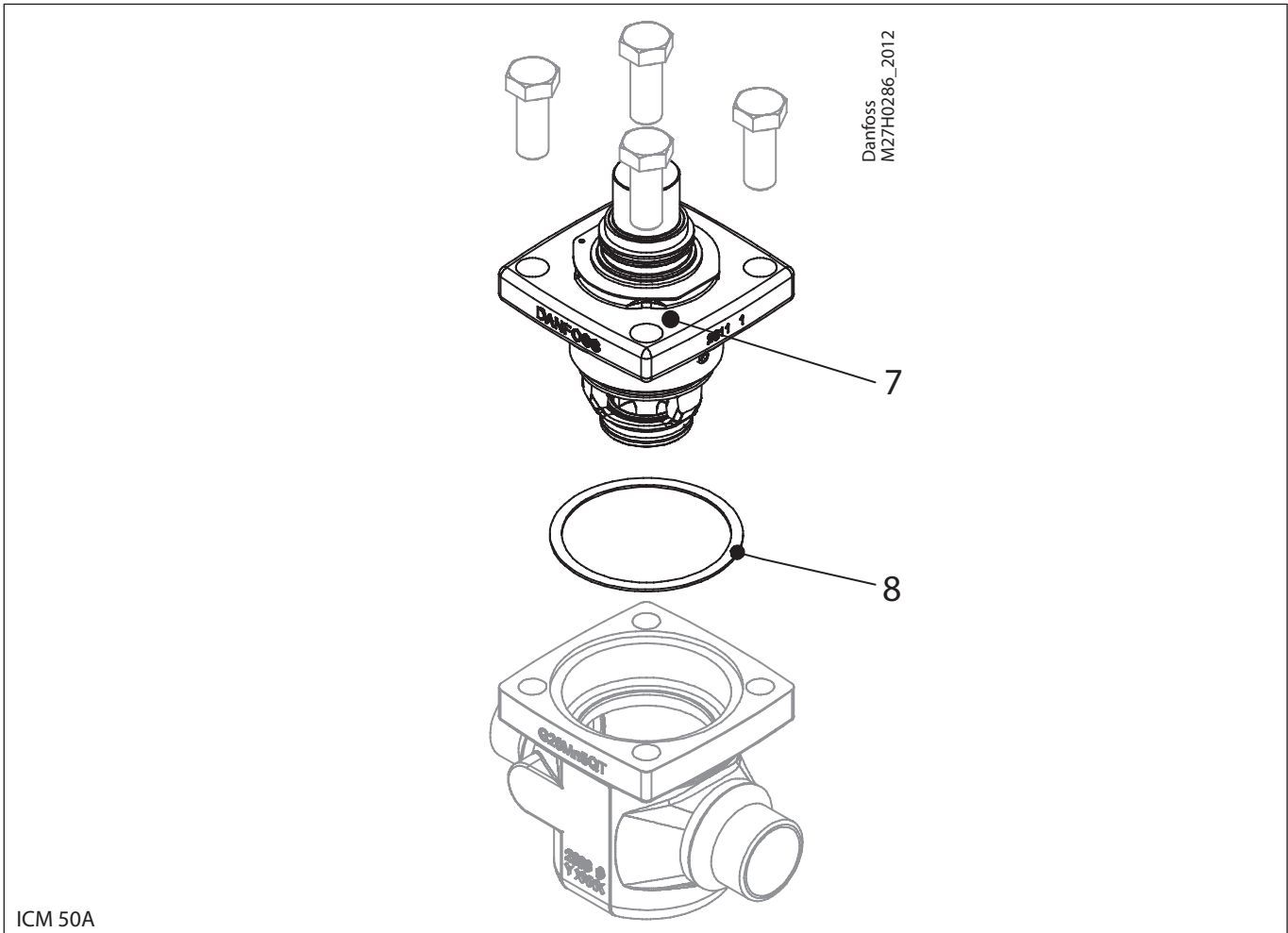


ICM 40B



Data sheet – Spare parts and accessories

Overhaul kit | Code number 027H5180  
ICM, size 50A

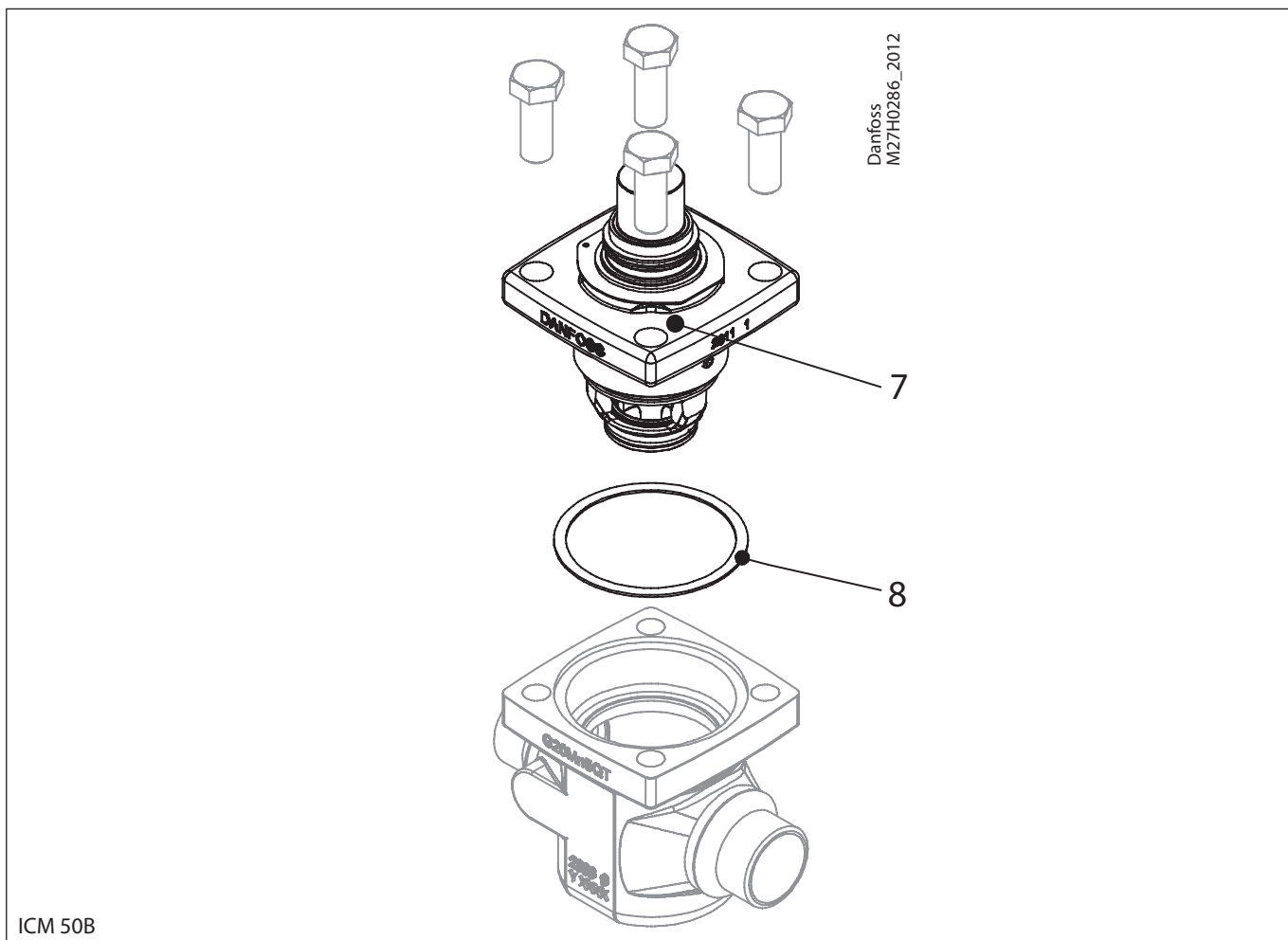


ICM 50A

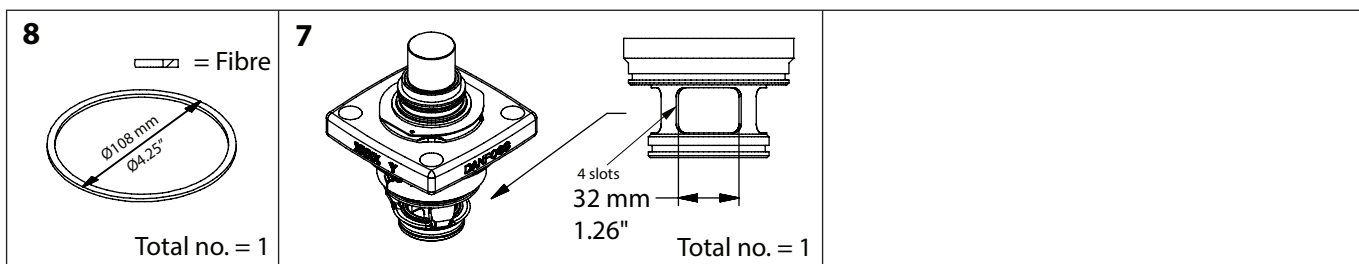
<p><b>8</b></p> <p>Ø108 mm Ø4.25"</p> <p>Total no. = 1</p>	<p><b>7</b></p> <p>4 slots 10 mm 0.39"</p> <p>Total no. = 1</p>	
--	---	--

Data sheet – Spare parts and accessories

Overhaul kit | Code number 027H5181  
 ICM, size 50B

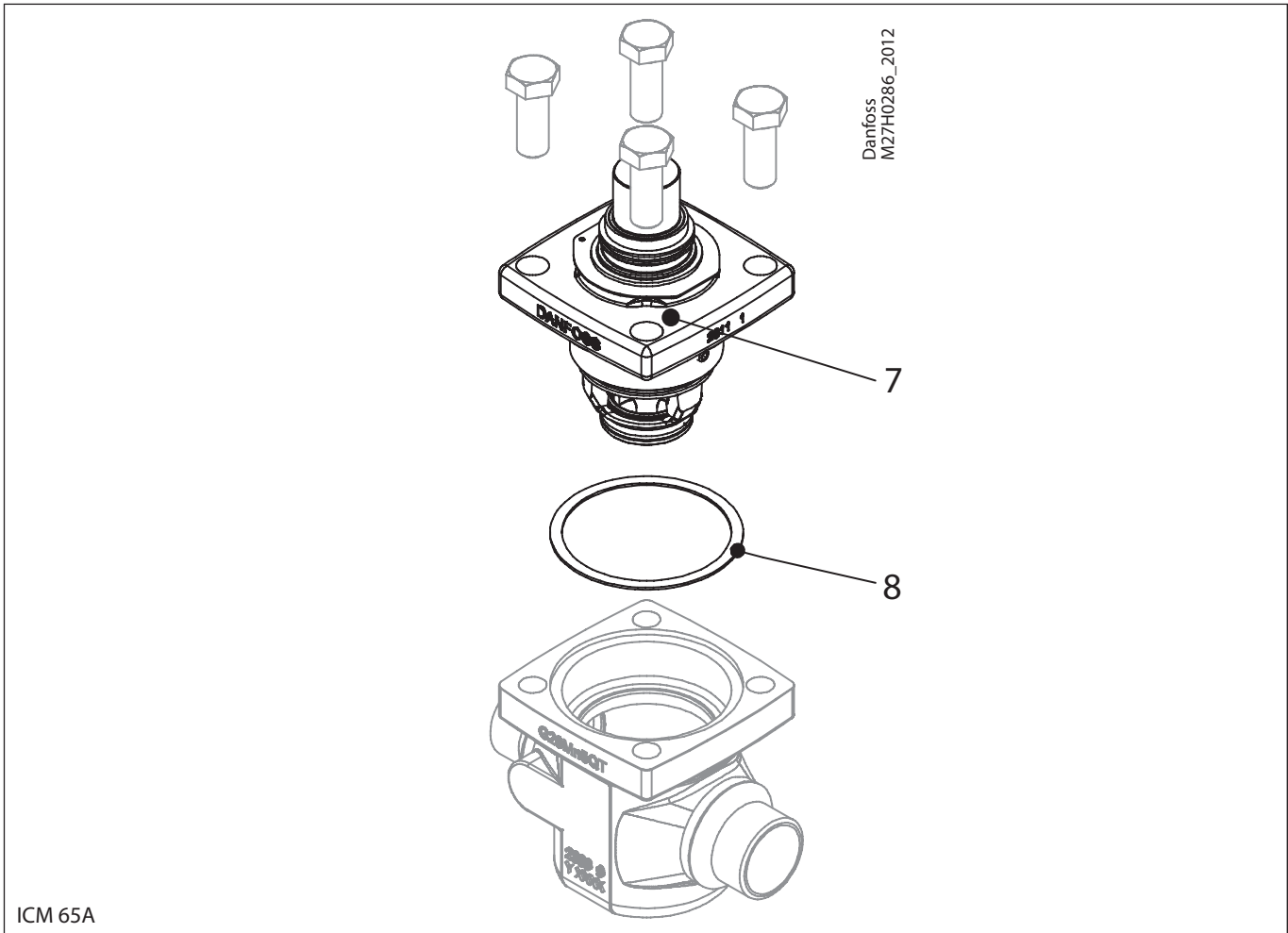


ICM 50B

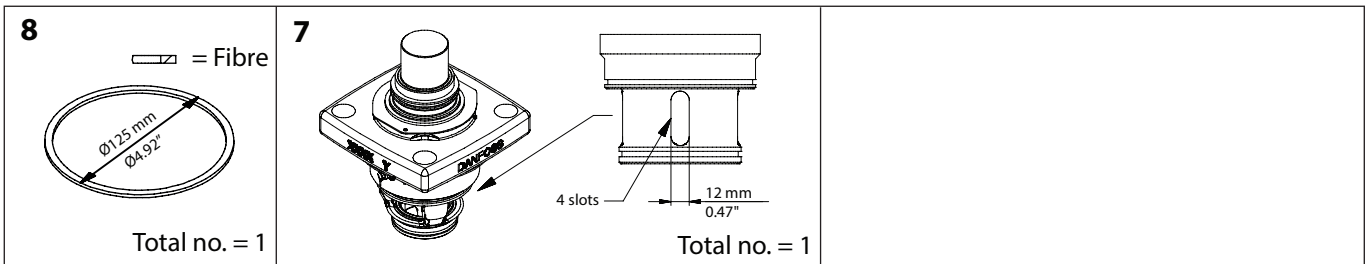


Data sheet – Spare parts and accessories

Overhaul kit | Code number 027H6180  
ICM, size 65A

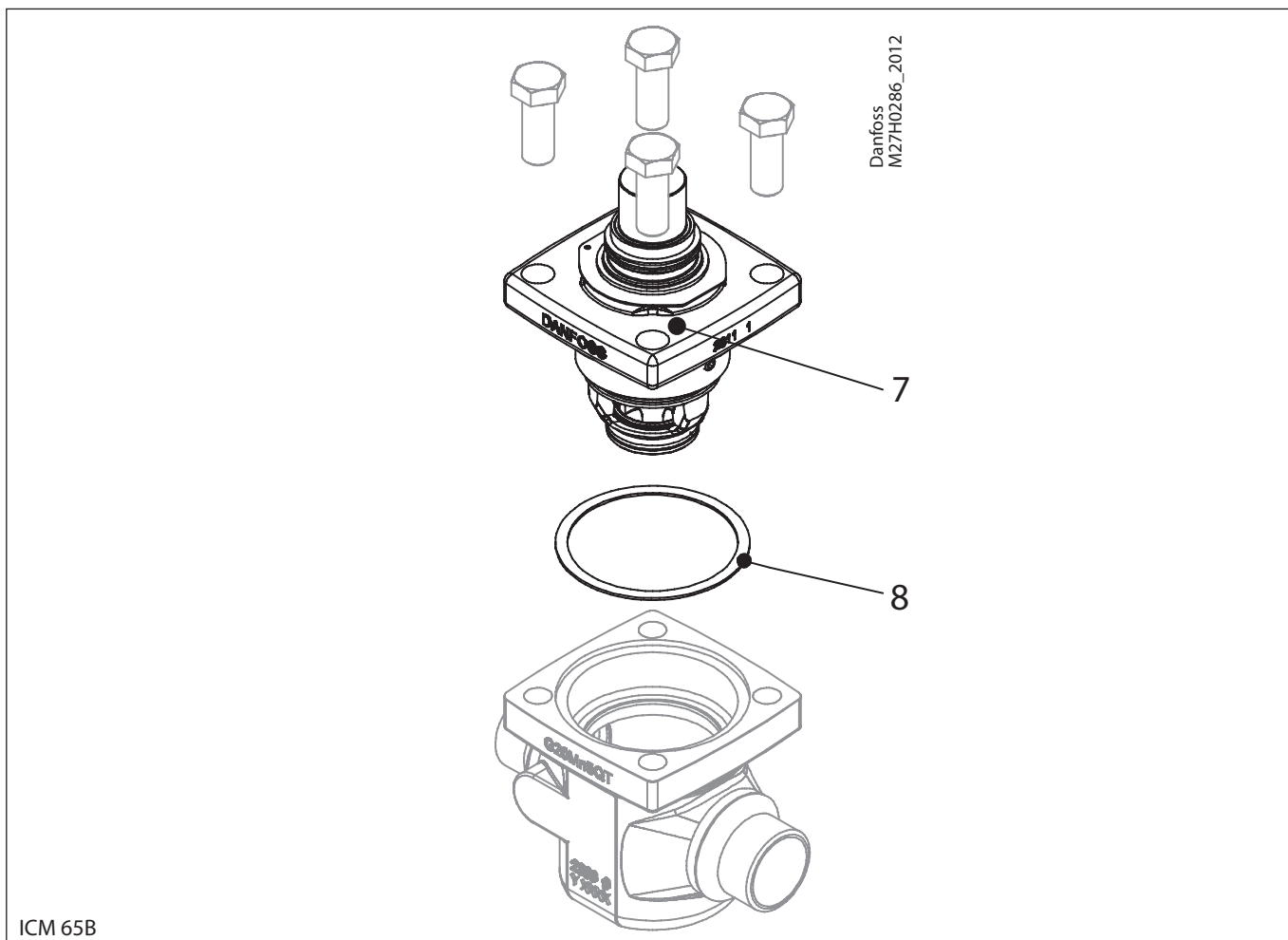


ICM 65A

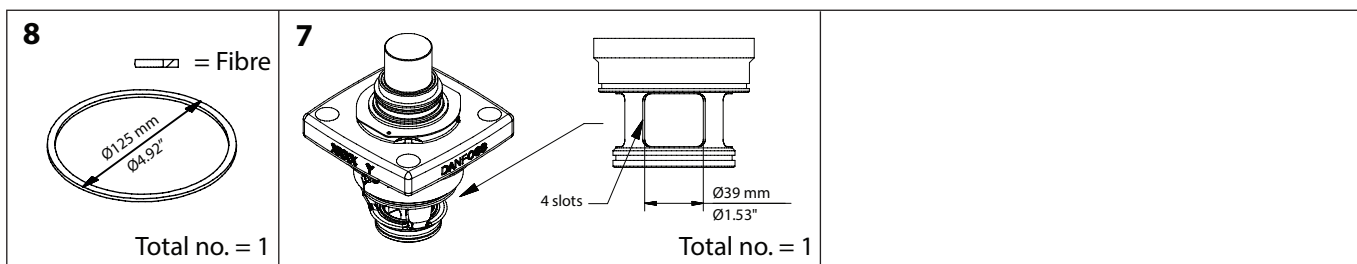


Data sheet – Spare parts and accessories

Overhaul kit | Code number 027H6181  
 ICM, size 65B

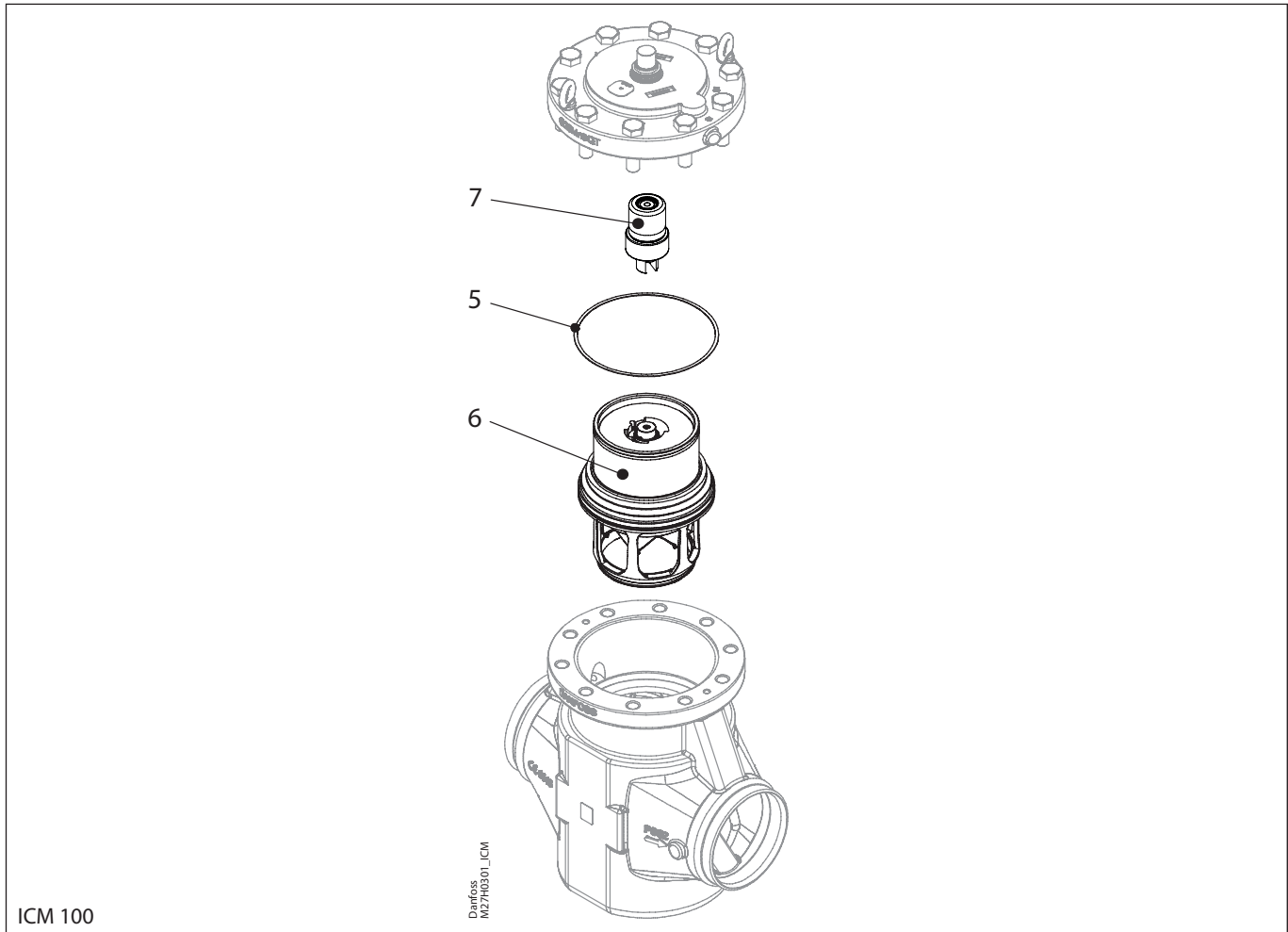


ICM 65B



Data sheet – Spare parts and accessories

Overhaul kit | Code number 027H7136  
ICM, size 100

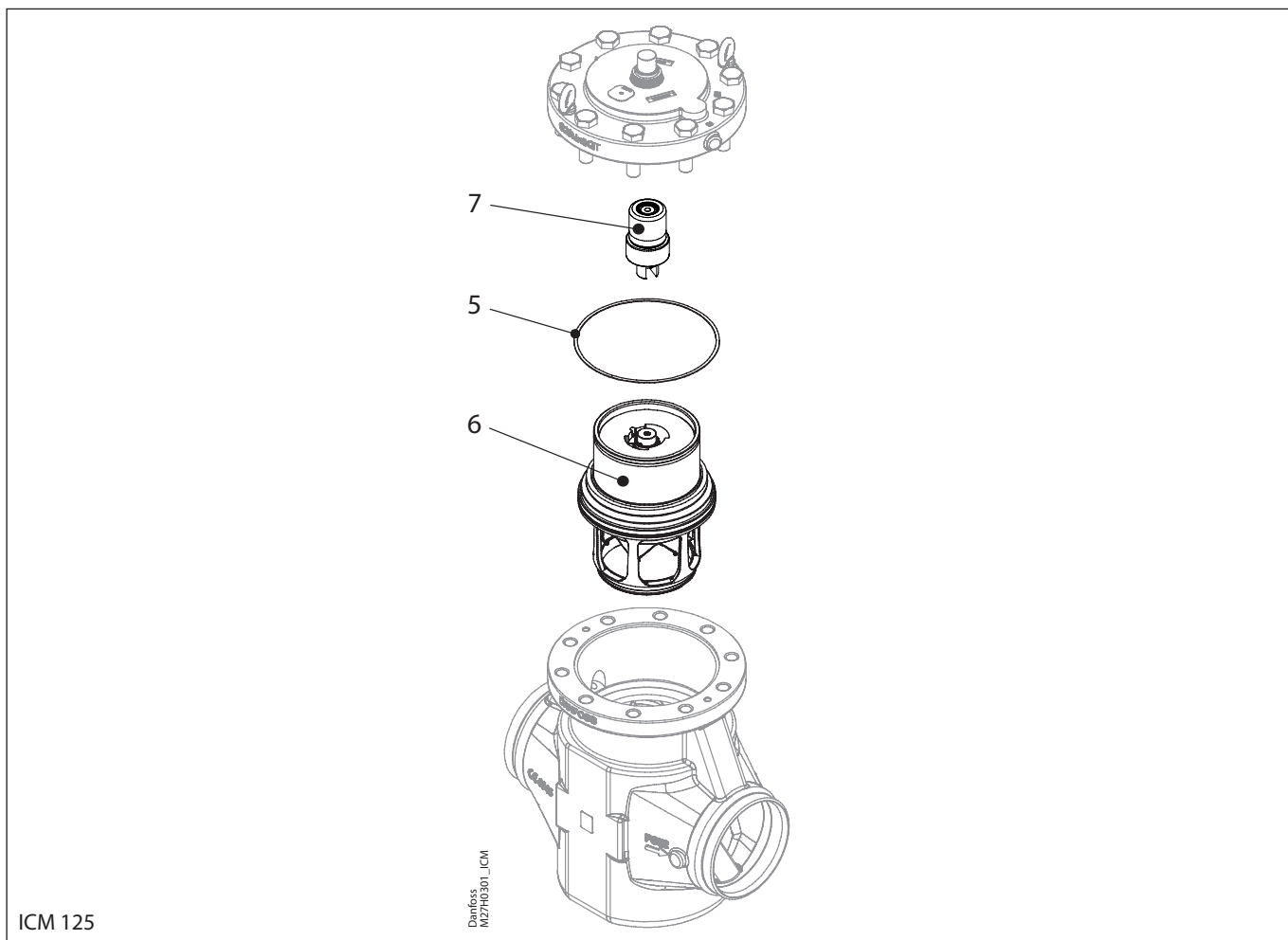


<p><b>5</b></p> <p>— = Fibre</p> <p>Ø150 mm Ø5.91"</p> <p>Total no. = 1</p>	<p><b>6</b></p> <p>Ø95 mm Ø3.74"</p> <p>Total no. = 1</p>	<p><b>7</b></p> <p>Total no. = 1</p>	
---	---	--------------------------------------	--

For a complete replacement of the ICM top cover including magnetic coupling and gasket; please see page 129.

Data sheet – Spare parts and accessories

**Overhaul kit | Code number 027H7156**  
**ICM, size 125**



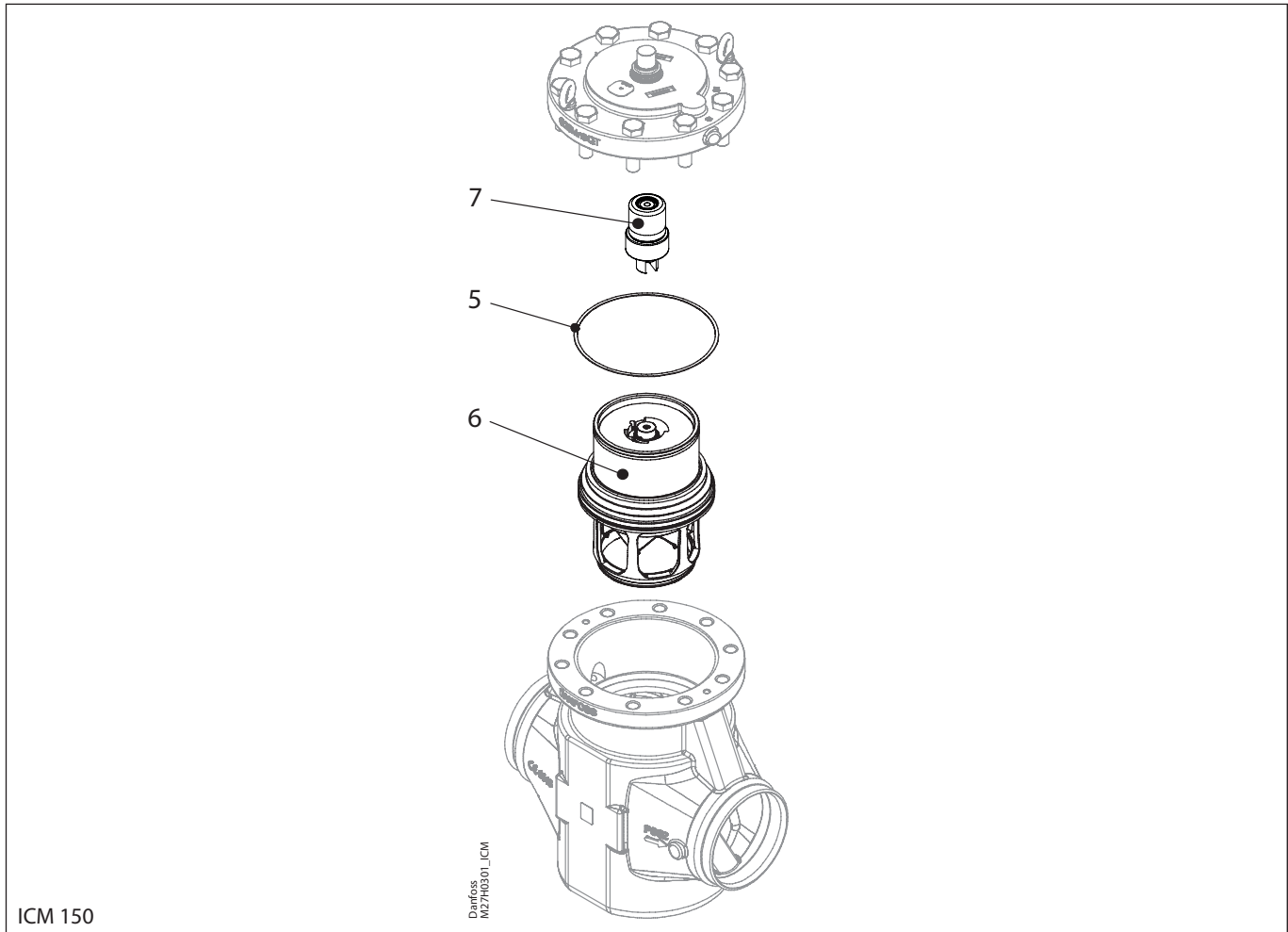
ICM 125

<p><b>5</b></p> <p>Total no. = 1</p>	<p><b>6</b></p> <p>Total no. = 1</p>	<p><b>7</b></p> <p>Total no. = 1</p>	
--------------------------------------	--------------------------------------	--------------------------------------	--

For a complete replacement of the ICM top cover including magnetic coupling and gasket; please see page 129.

Data sheet – Spare parts and accessories

Overhaul kit | Code number 027H7176  
ICM, size 150



ICM 150

Danfoss  
M27H0301\_ICM

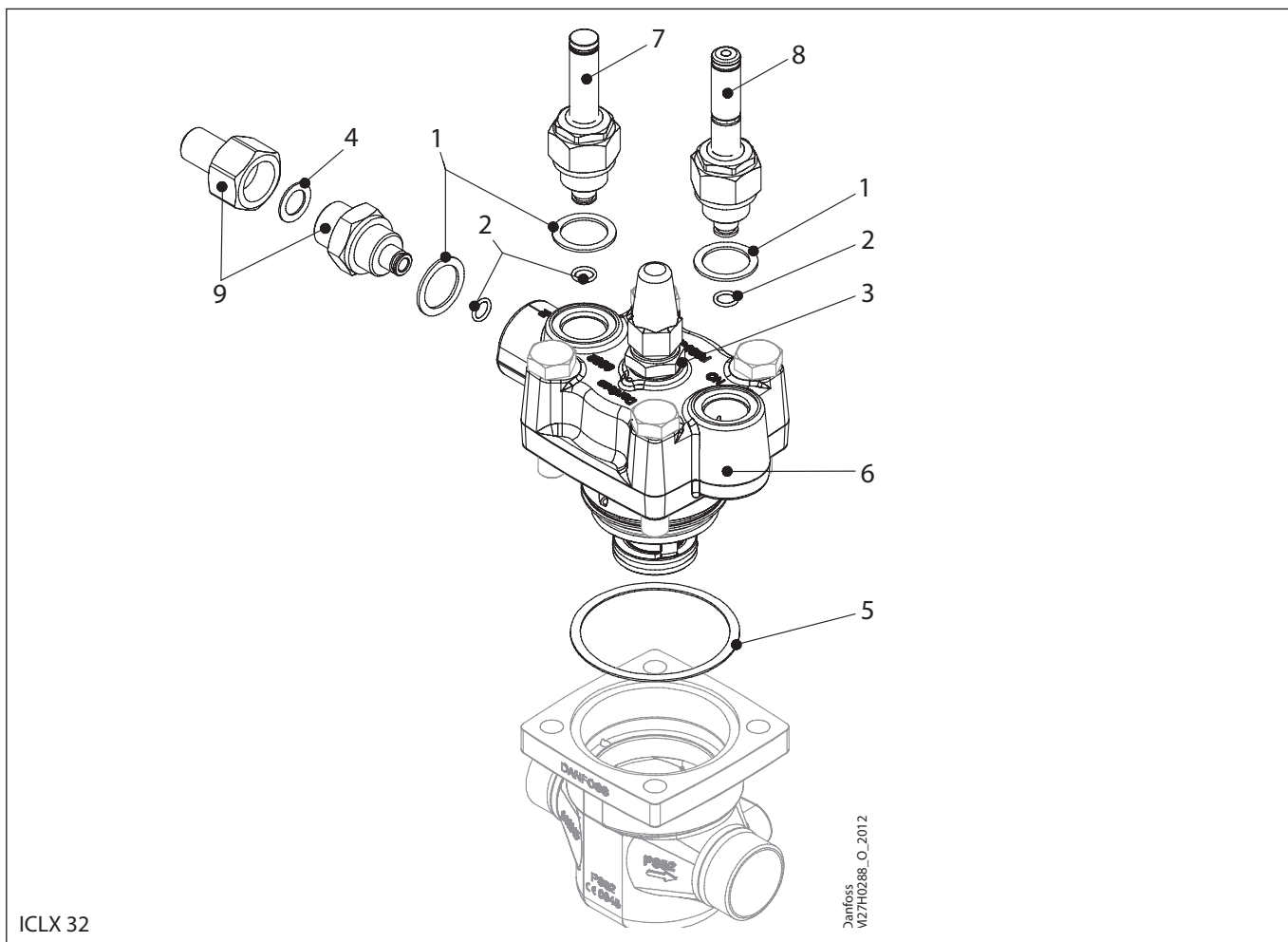
<p><b>5</b></p> <p>Total no. = 1</p>	<p><b>6</b></p> <p>Total no. = 1</p>	<p><b>7</b></p> <p>Total no. = 1</p>	
--------------------------------------	--------------------------------------	--------------------------------------	--

For a complete replacement of the ICM top cover including magnetic coupling and gasket; please see page 129.



Data sheet – Spare parts and accessories

Overhaul kit | Code number 027H3204  
ICLX, size 32



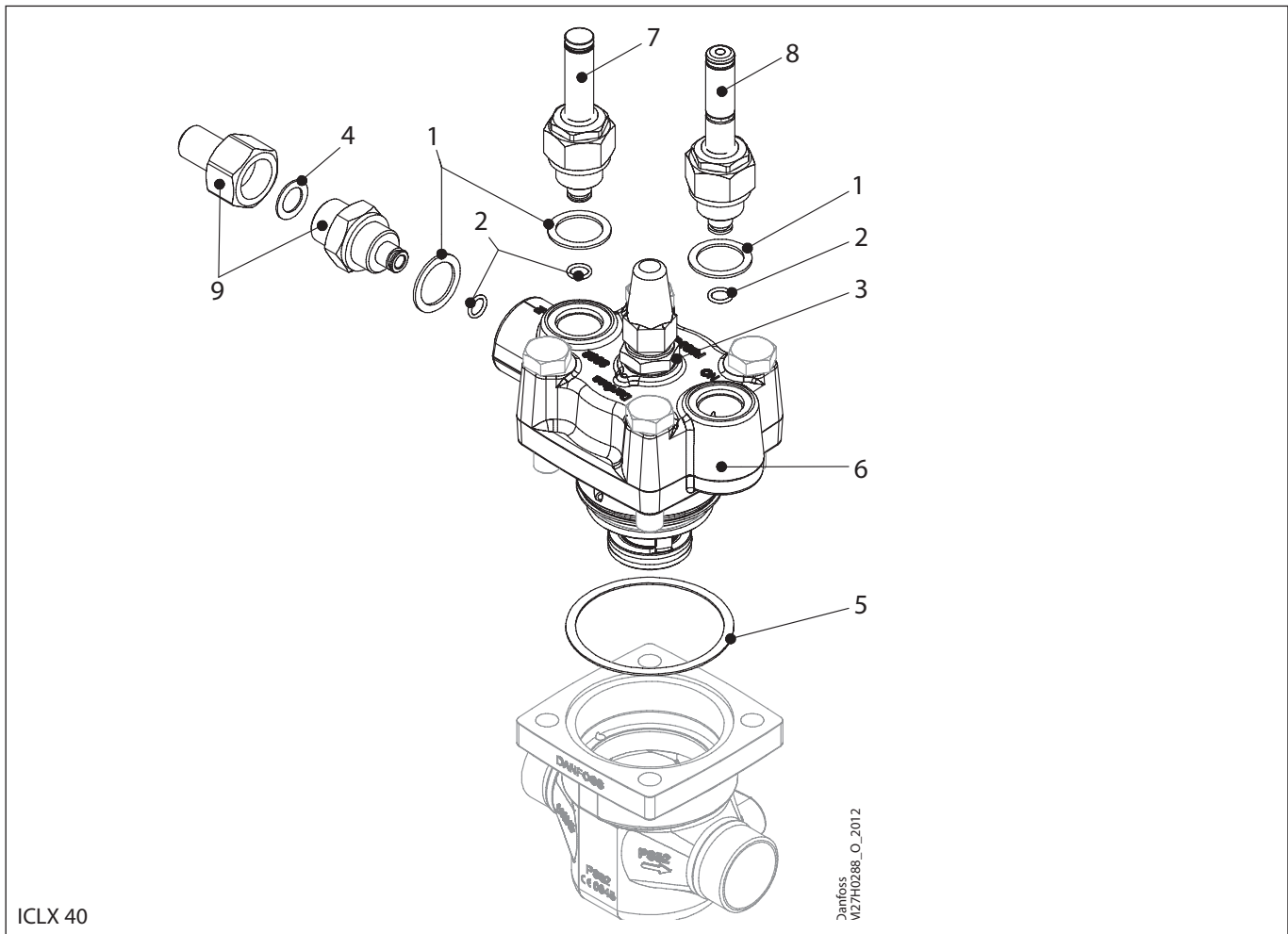
ICLX 32

Danfoss  
W27H0288\_O\_2012

<p><b>1</b></p> <p> = Fibre</p> <p>Total no. = 3</p>	<p><b>2</b></p> <p></p> <p>Total no. = 3</p>	<p><b>3</b></p> <p> = Alu.</p> <p>Total no. = 1</p>	<p><b>4</b></p> <p> = Alu.</p> <p>Total no. = 1</p>	<p><b>5</b></p> <p> = Fibre</p> <p>Total no. = 1</p>
<p><b>6</b></p> <p>Total no. = 1</p>	<p><b>7</b></p> <p>Total no. = 1</p>	<p><b>8</b></p> <p>Total no. = 1</p>	<p><b>9</b></p> <p>Total no. = 1</p>	

Data sheet – Spare parts and accessories

Overhaul kit | Code number 027H4204  
ICLX, size 40



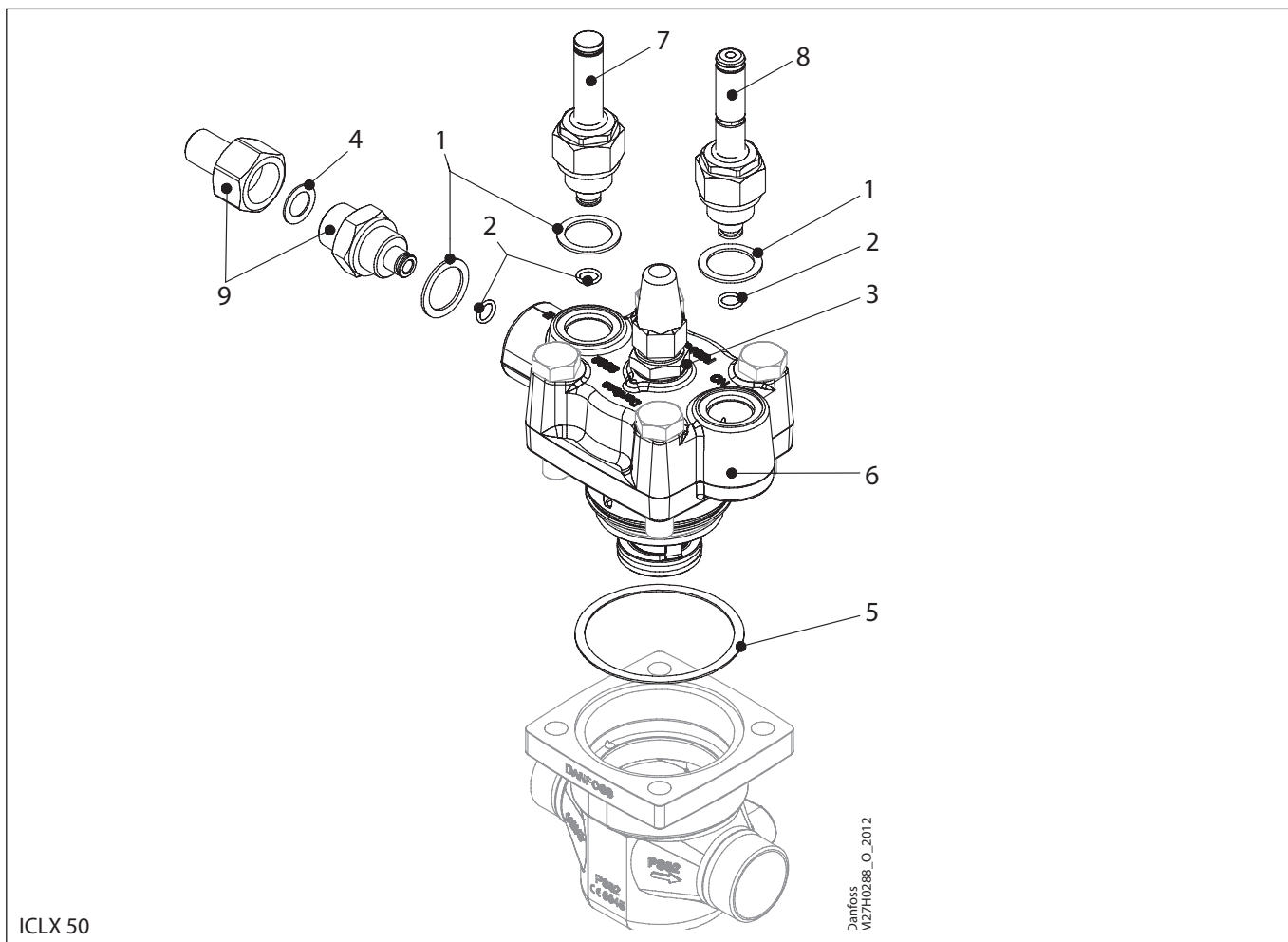
ICLX 40

Danfoss  
V127H0288\_O\_2012

<p><b>1</b></p> <p> = Fibre</p> <p></p> <p>Total no. = 3</p>	<p><b>2</b></p> <p> =</p> <p></p> <p>Total no. = 3</p>	<p><b>3</b></p> <p> = Alu.</p> <p></p> <p>Total no. = 1</p>	<p><b>4</b></p> <p> = Alu.</p> <p></p> <p>Total no. = 1</p>	<p><b>5</b></p> <p> = Fibre</p> <p></p> <p>Total no. = 1</p>
<p><b>6</b></p> <p></p> <p>Total no. = 1</p>	<p><b>7</b></p> <p></p> <p>Total no. = 1</p>	<p><b>8</b></p> <p></p> <p>Total no. = 1</p>	<p><b>9</b></p> <p></p> <p>Total no. = 1</p>	

Data sheet – Spare parts and accessories

Overhaul kit | Code number 027H5204  
ICLX, size 50



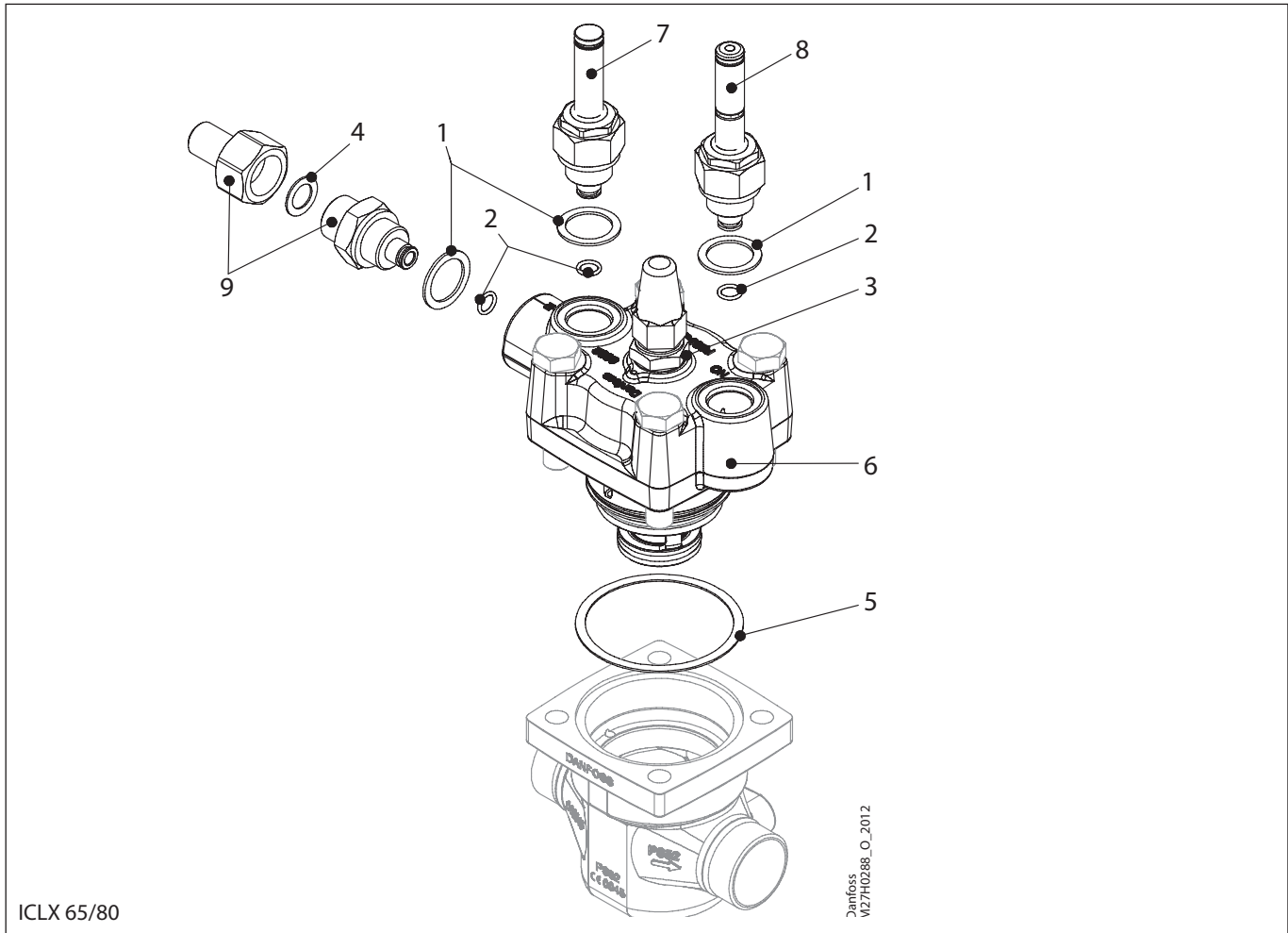
ICLX 50

Danfoss  
V127H0288\_O\_2012

<p><b>1</b></p> <p> = Fibre</p> <p>Total no. = 3</p>	<p><b>2</b></p> <p> = Alu.</p> <p>Total no. = 3</p>	<p><b>3</b></p> <p> = Alu.</p> <p>Total no. = 1</p>	<p><b>4</b></p> <p> = Alu.</p> <p>Total no. = 1</p>	<p><b>5</b></p> <p> = Fibre</p> <p>Total no. = 1</p>
<p><b>6</b></p> <p>Total no. = 1</p>	<p><b>7</b></p> <p>Total no. = 1</p>	<p><b>8</b></p> <p>Total no. = 1</p>	<p><b>9</b></p> <p>Total no. = 1</p>	

Data sheet – Spare parts and accessories

**Overhaul kit | Code number 027H6204**  
**ICLX, size 65/80**

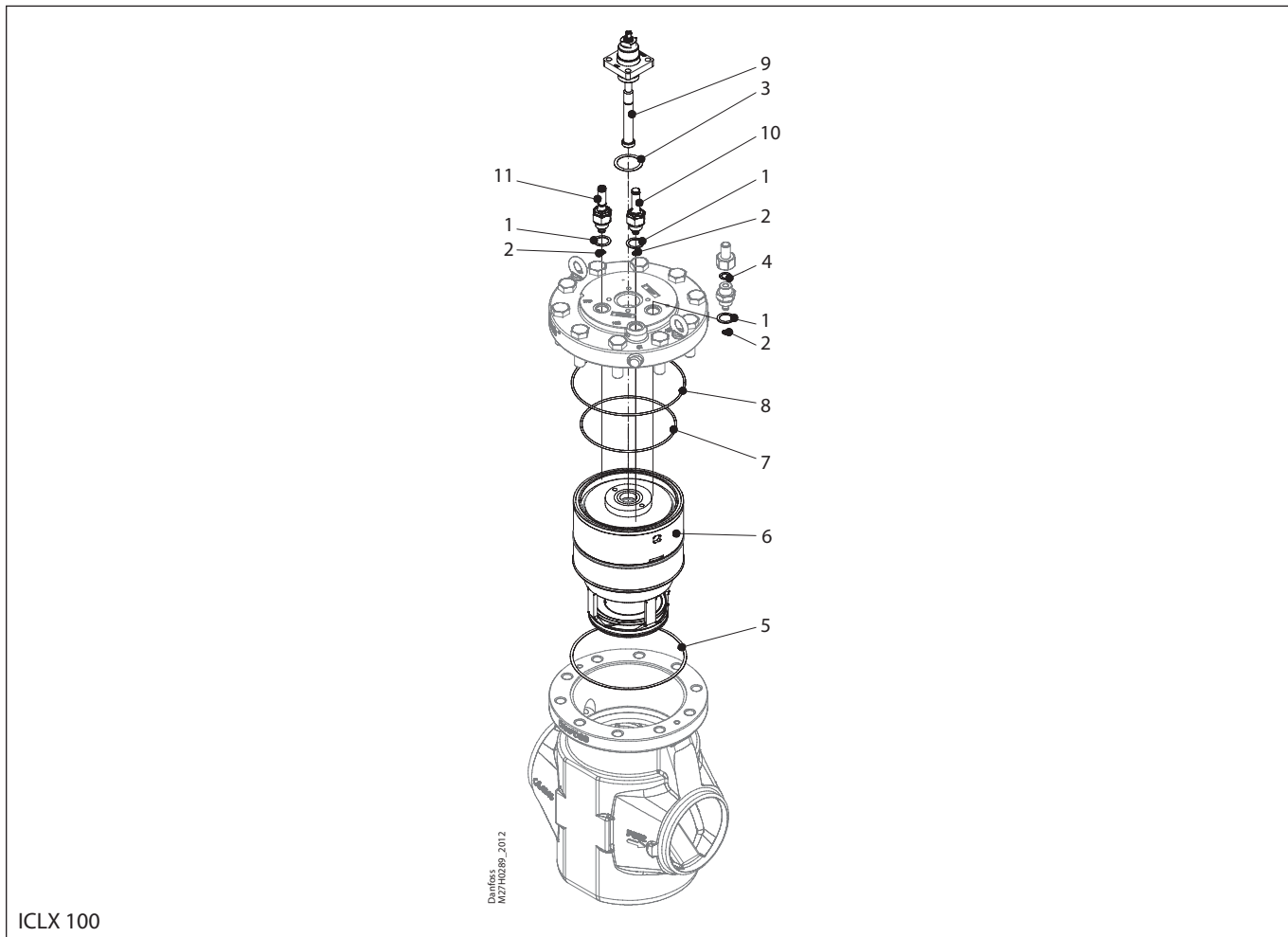


ICLX 65/80

<p><b>1</b></p> <p> = Fibre</p> <p></p>	<p><b>2</b></p> <p> = Alu.</p> <p></p>	<p><b>3</b></p> <p> = Alu.</p> <p></p>	<p><b>4</b></p> <p> = Alu.</p> <p></p>	<p><b>5</b></p> <p> = Fibre</p> <p></p>
<p><b>6</b></p> <p></p> <p>Total no. = 1</p>	<p><b>7</b></p> <p></p> <p>Total no. = 1</p>	<p><b>8</b></p> <p></p> <p>Total no. = 1</p>	<p><b>9</b></p> <p></p> <p>Total no. = 1</p>	

Data sheet – Spare parts and accessories

Overhaul kit | Code number 027H7221  
ICLX, size 100

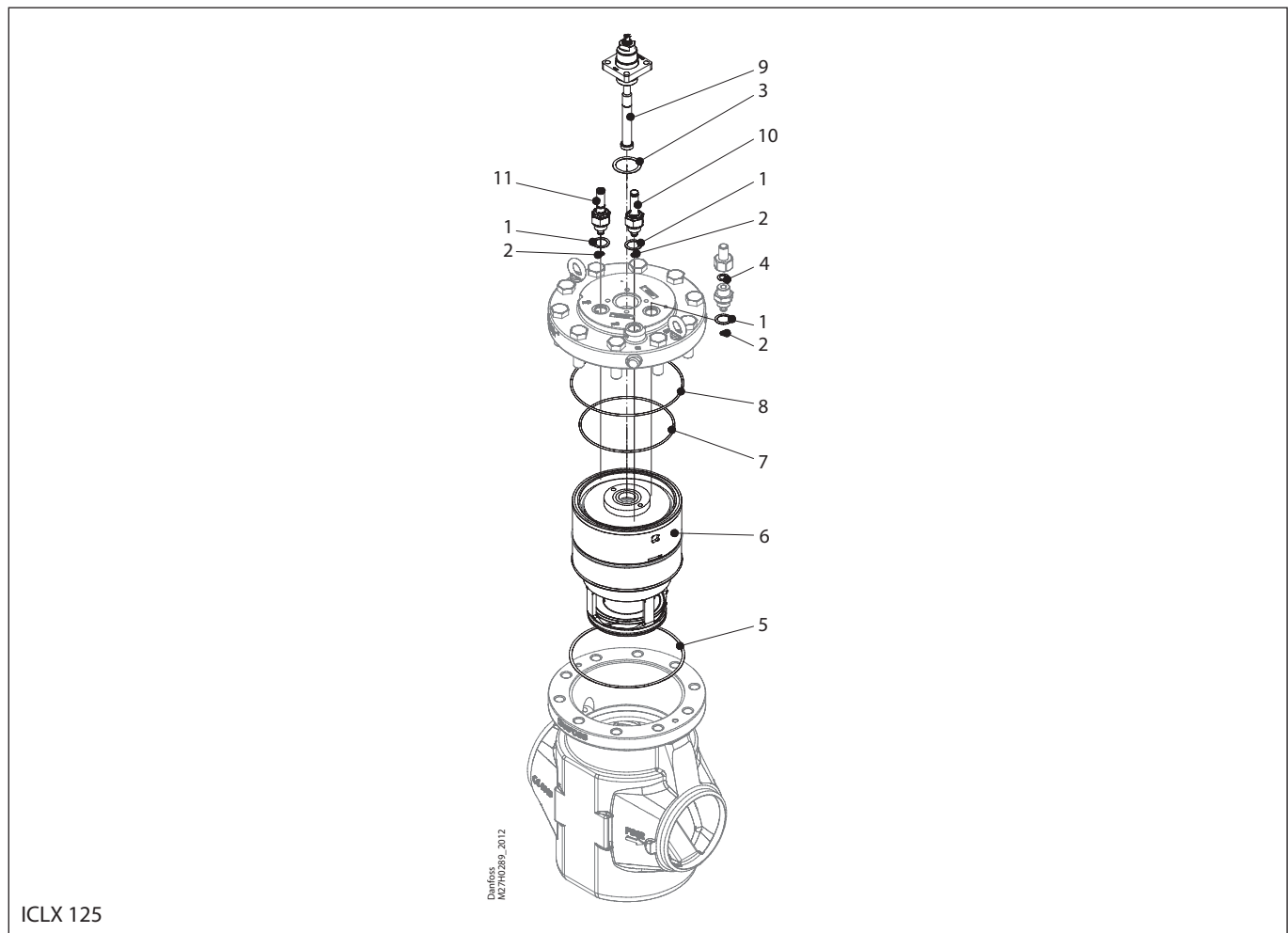


ICLX 100

<p><b>1</b></p> <p> = Fibre</p> <p>Total no. = 3</p>	<p><b>2</b></p> <p>Total no. = 3</p>	<p><b>3</b></p> <p> = Fibre</p> <p>Total no. = 1</p>	<p><b>4</b></p> <p> = Alu.</p> <p>Total no. = 1</p>	<p><b>5</b></p> <p> = Fibre</p> <p>Total no. = 1</p>
<p><b>6</b></p> <p>Total no. = 1</p>	<p><b>7</b></p> <p>Total no. = 1</p>	<p><b>8</b></p> <p>Total no. = 1</p>	<p><b>9</b></p> <p>Total no. = 1</p>	<p><b>10</b></p> <p>Total no. = 1</p>
<p><b>11</b></p> <p>Total no. = 1</p>				

Data sheet – Spare parts and accessories

Overhaul kit | Code number 027H7222  
ICLX, size 125

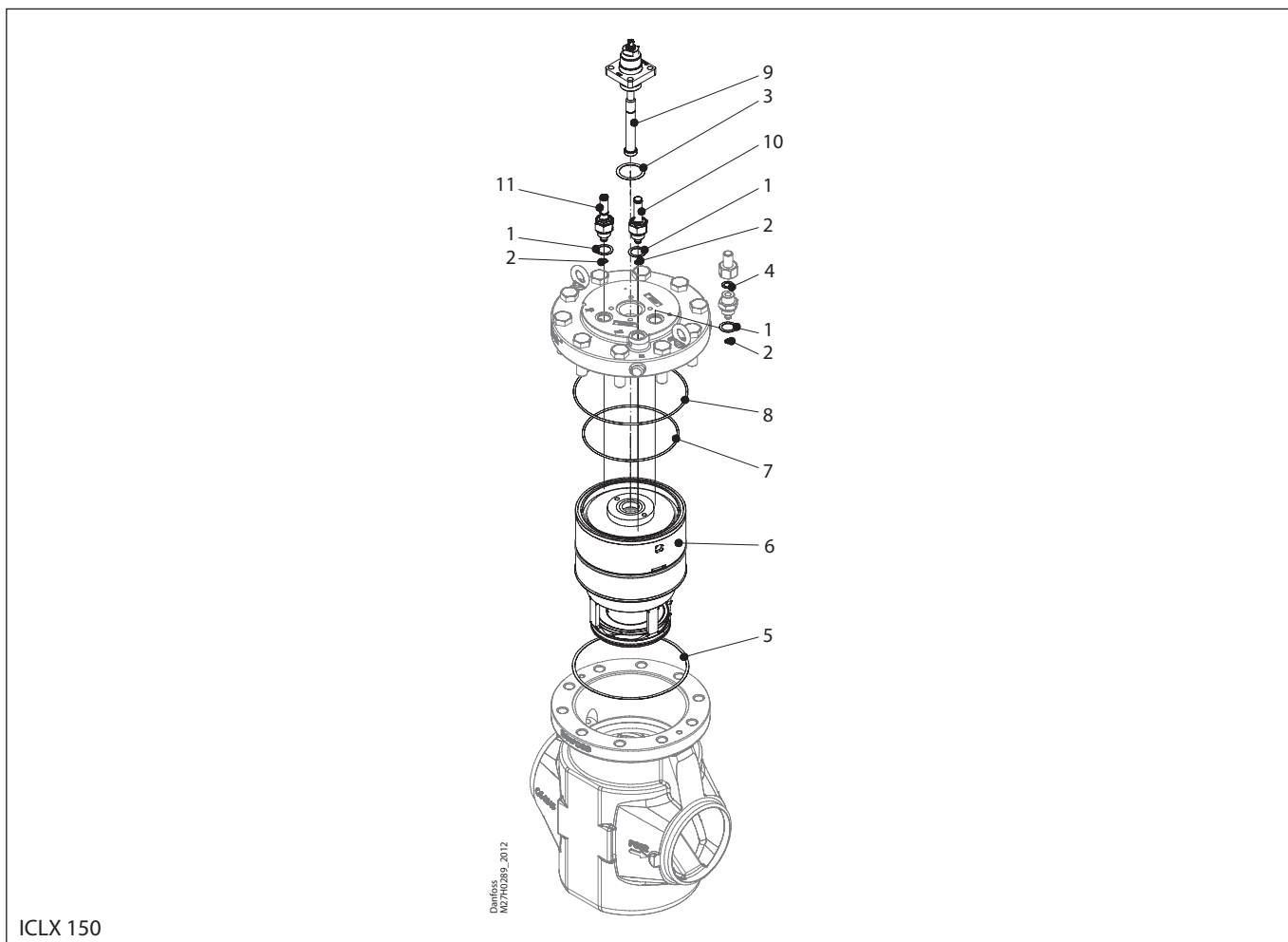


ICLX 125

<p><b>1</b></p> <p> = Fibre</p> <p>Total no. = 3</p>	<p><b>2</b></p> <p>Total no. = 3</p>	<p><b>3</b></p> <p> = Fibre</p> <p>Total no. = 1</p>	<p><b>4</b></p> <p> = Alu.</p> <p>Total no. = 1</p>	<p><b>5</b></p> <p> = Fibre</p> <p>Total no. = 1</p>
<p><b>6</b></p> <p>Total no. = 1</p>	<p><b>7</b></p> <p>Total no. = 1</p>	<p><b>8</b></p> <p>Total no. = 1</p>	<p><b>9</b></p> <p>Total no. = 1</p>	<p><b>10</b></p> <p>Total no. = 1</p>
<p><b>11</b></p> <p>Total no. = 1</p>				

Data sheet – Spare parts and accessories

Overhaul kit | Code number 027H7223  
ICLX, size 150



ICLX 150

<p><b>1</b></p> <p> = Fibre</p> <p>Total no. = 3</p>	<p><b>2</b></p> <p>Total no. = 3</p>	<p><b>3</b></p> <p> = Fibre</p> <p>Total no. = 1</p>	<p><b>4</b></p> <p> = Alu.</p> <p>Total no. = 1</p>	<p><b>5</b></p> <p> = Fibre</p> <p>Total no. = 1</p>
<p><b>6</b></p> <p>Total no. = 1</p>	<p><b>7</b></p> <p>Total no. = 1</p>	<p><b>8</b></p> <p>Total no. = 1</p>	<p><b>9</b></p> <p>Total no. = 1</p>	<p><b>10</b></p> <p>Total no. = 1</p>
<p><b>11</b></p> <p>Total no. = 1</p>				

## Data sheet – Spare parts and accessories

### Accessories for ICS pilot operated servo valve

#### ICV flanged valve housings

	For ICS	Description	Code number
	25	ICV 25 PM Valve housing	027H2119 *)
	32	ICV 32 PM Valve housing	027H3129 *)
	40	ICV 40 PM Valve housing	027H4128 *)
	50	ICV 50 PM Valve housing	027H5127 **)
	65	ICV 65 PM Valve housing	027H6128 **)
	25	ICV 25 (H)A4A Valve housing	027H2304 *)
	32	ICV 32 A4A Valve housing	027H3130 *)
	32	ICV 32 HA4A Valve housing	027H3131 *)
	40	ICV 40 (H)A4A Valve housing	027H4129 *)
	50	ICV 50 (H)A4A Valve housing	027H5128 **)
	65	ICV 65 (H)A4A Valve housing	027H6129 **)

\*) Includes valve housing, flange gaskets and flange bolts.

\*\*) Includes valve housing, flange gaskets, flange bolts and flange nuts.

Function modules and top covers must be ordered separately.

#### Pressure gauge connection (weld / solder).

	Description	Code number
	∅ 6.5 mm / ∅ 10 mm (∅ 0.26 in. / ∅ 0.39 in.) weld / solder	027B2035

#### Pressure gauge connection, ¼ in. flare (self-closing) Must not be used in R 717 plant.

	Description	Code number
	¼ in. flare	027B2041

#### Pressure gauge connection (cutting ring).

	Description	Code number
	Cutting ring connection, 6 mm	027B2063
	Cutting ring connection, 10 mm	027B2064

#### Pressure gauge connection.

	Description	Code number
	¼ in. flare	027B2062

#### External pilot connection.

	For ICS	Description	Code number
	5–80	External pilot connection (incl. damping orifice, D: 1.0 mm)	027F1048
	100–150	External pilot connection (incl. damping orifice, D: 1.8 mm)	027F1049
	5–150	Accessory bag with seal and O-ring for pilot valve	027F0666

#### Blanking plug for pilot valves.

	Description	Code number
	Blanking plug	027F1046



Data sheet – Spare parts and accessories

## Accessories for ICS pilot operated servo valve

### Multi-function tool

	For ICS	Description	Code number
	25–32	Multi-function tool	027H0180
	40–65	Multi-function tool	027H0181
The multi-funktion tool can be used for: <ul style="list-style-type: none"> <li>• Removing the ICS function module</li> <li>• Operating the manual spindle</li> </ul>			

### ICS 100–150 - Top cover complete

<p style="writing-mode: vertical-rl; transform: rotate(180deg);">Dorfces 27H190.110</p>	For ICS	Description	Code number
	100	Top cover complete with manuel spindle, and gasket	027H7123
	125	Top cover complete with manuel spindle, and gasket	027H7143
	150	Top cover complete with manuel spindle, and gasket	027H7163

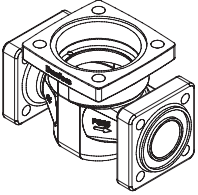
### Cap including gasket

	For ICS	Description	Code number
	100–150	Red cap including gasket	148B4076

Data sheet – Spare parts and accessories

## Accessories for ICM Motor operated valve and ICAD Actuator

### ICV flanged valve housings


	For ICS	Description	Code number
	25	ICV 25 PM Valve housing	027H2119 *)
	32	ICV 32 PM Valve housing	027H3129 *)
	40	ICV 40 PM Valve housing	027H4128 *)
	50	ICV 50 PM Valve housing	027H5127 **)
	65	ICV 65 PM Valve housing	027H6128 **)
	25	ICV 25 (H)A4A Valve housing	027H2304 *)
	32	ICV 32 A4A Valve housing	027H3130 *)
	32	ICV 32 HA4A Valve housing	027H3131 *)
	40	ICV 40 (H)A4A Valve housing	027H4129 *)
	50	ICV 50 (H)A4A Valve housing	027H5128 **)
	65	ICV 65 (H)A4A Valve housing	027H6129 **)

\*) Includes valve housing, flange gaskets and flange bolts.

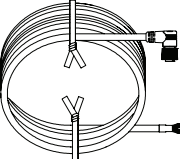
\*\*) Includes valve housing, flange gaskets, flange bolts and flange nuts.

Function modules and top covers must be ordered separately.

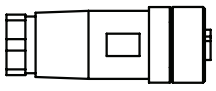
### ICAD-UPS

	Description	Code number
	ICAD-UPS	027H0182

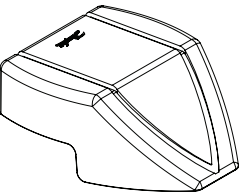
### Cable for ICAD 600A/1200A

	Description	Code number
	Cable set 1.5 m, female	027H0426
	Cable set 3 m, female	027H0438
	Cable set 10 m, female	027H0427
	Cable set 15 m, female	027H0435

### Connectors for ICAD 600A/1200A

	Description	Code number
	Two Female Connectors with screw terminals: - connector for power - connector for control signals	027H0430


### Protection cap ICAD 600A/1200A

	Description	Code number
	Protection cap	027H0431

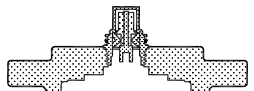
Data sheet – Spare parts and accessories

## Accessories for ICM Motor operated valve and ICAD Actuator

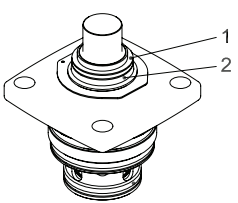
### Multi-function tool

	For ICM	Description	Code number
	20-32	Multi-function tool	<b>027H0180</b>
	40-65	Multi-function tool	<b>027H0181</b>
<p>The multi-funktion tool can be used for:</p> <ul style="list-style-type: none"> <li>• Removing the ICS function module</li> <li>• Operating the manual spindle</li> </ul>			

### ICS 100-150 - Top cover complete

	For ICM	Description	Code number
	100	Top cover complete with magnet coupling and gasket	<b>027H7133</b>
	125	Top cover complete with magnet coupling and gasket	<b>027H7153</b>
	150	Top cover complete with magnet coupling and gasket	<b>027H7173</b>

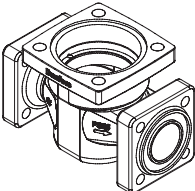
### Installation kit for ICAD

	For ICM	Description	Code number
	20-32	External O-rings (1 + 2) and hexagon bolts (Molykote® G-4500 grease included)	<b>027H1207</b>
	40-150	External O-rings (1 + 2) and hexagon bolts (Molykote® G-4500 grease included)	<b>027H1208</b>

## Data sheet – Spare parts and accessories

### Accessories for ICLX 2-step solenoid valve

#### ICV flanged valve housings


	For ICS	Description	Code number
	32	ICV 32 PM Valve housing	027H3129 *)
	40	ICV 40 PM Valve housing	027H4128 *)
	50	ICV 50 PM Valve housing	027H5127 **)
	65	ICV 65 PM Valve housing	027H6128 **)
	32	ICV 32 A4A Valve housing	027H3130 *)
	32	ICV 32 HA4A Valve housing	027H3131 *)
	40	ICV 40 (H)A4A Valve housing	027H4129 *)
	50	ICV 50 (H)A4A Valve housing	027H5128 **)
	65	ICV 65 (H)A4A Valve housing	027H6129 **)

\*) Includes valve housing, flange gaskets and flange bolts.

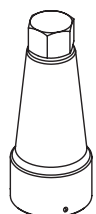
\*\*) Includes valve housing, flange gaskets, flange bolts and flange nuts.

Function modules and top covers must be ordered separately.

#### External pilot connection.

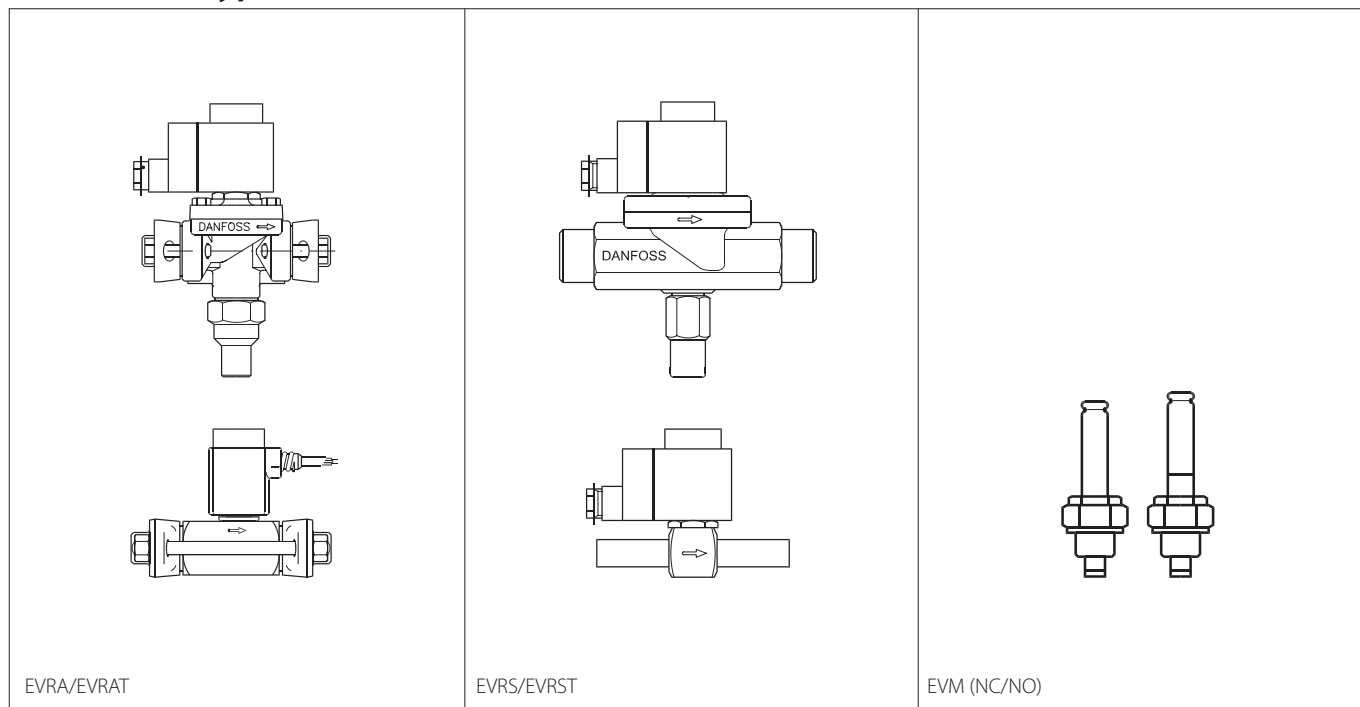
 <small>DANFOSS A27B93.15</small>	For ICLX	Description	Code number
	32–80	External pilot connection (incl. damping orifice, D: 1.0 mm)	027F1048
	32–80	External pilot connection (1/4" FPT) (incl. damping orifice, D: 1.0 mm)	027B2065
	100–150	External pilot connection (incl. damping orifice, D: 1.8 mm)	027F1049
	100–150	External pilot connection (1/4" FPT) (incl. damping orifice, D: 1.8 mm)	027B2066
	5–150	Accessory bag with seal and O-ring for pilot valve	027F0666
	32–80	Damping orifice for EVM. 10 pcs, (D: 1.0 mm)	027F0664
	100–150	Damping orifice for EVM. 10 pcs, (D: 1.8 mm)	027F0176

#### Cap including gasket

	For ICLX	Description	Code number
	32–40	Metalic cap including gasket	148B4576
	50–100	Red cap including gasket	148B4075
	125–150	Red cap including gasket	148B4076

## Data sheet – Spare parts and accessories

### Solenoid valves, types EVRA, EVRAT, EVRS and EVRST Pilot valves, types EVM (NC) and EVM (NO)



Valve type	Size	See details on page #	Code no.
<b>Inspection kits</b>			
EVRA	25	132	032F2326
EVRA	32/40	133	032F2327*
<b>Repair kits</b>			
EVRA / EVRS	3	134	032F2329
EVRA / EVRS	10	135	032F2330
EVRA / EVRS	15	136	032F2331
EVRA / EVRS	20	137	032F2332
EVRA / EVRS	25	138	032F2333
EVRA / EVRS	32	139	032F2334
EVRA / EVRS	40	140	032F2335
EVRAT / EVRST	10	141	032F2343
EVRAT / EVRST	15	142	032F2344
EVRAT / EVRST	20	143	032F2345
EVM NC		144	032F2324
EVM NO		145	032F2325

<b>Overhaul kits (Previous valve design)</b>			
EVRA	10	146	032F2202
EVRA	15	147	032F2209
EVRA	20	148	032F2210
EVRA	25	149	032F2218
EVRAT	10	150	032F2321
EVRAT	15	151	032F2322
EVRAT	20	152	032F2323

\* Also applicable for AKVA 20

Valve type	Size	See details on page #	Code no.
<b>Overhaul kits (Current valve design)</b>			
EVRA / EVRS	3	153	032F2336
EVRA / EVRS	10	154	032F2337
EVRA / EVRS	15	155	032F2338
EVRA / EVRS	20	156	032F2339
EVRA / EVRS	25	157	032F2340
EVRA / EVRS	32	158	032F2341
EVRA / EVRS	40	159	032F2342
EVRAT / EVRST	10	160	032F2346
EVRAT / EVRST	15	161	032F2347
EVRAT / EVRST	20	162	032F2348

#### Inspection kits:

Contain all gaskets, O-rings and aluminium rings belonging to 1 valve size.  
For detailed content, see specific pages mentioned above.

#### Repair kits:

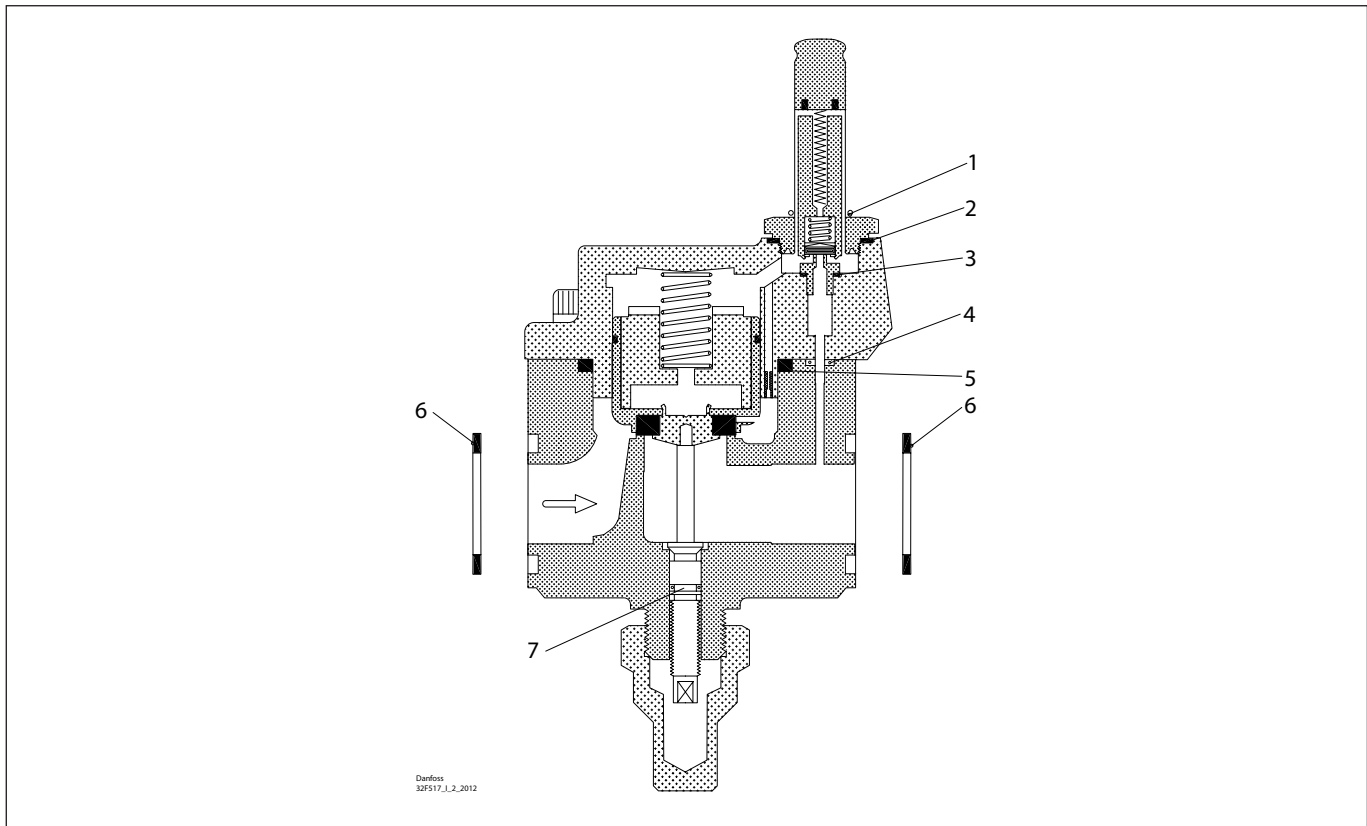
Contain all gaskets, O-rings and aluminium rings belonging to 1 valve size, armature, diaphragm, piston and piston ring.  
For detailed content, see specific pages mentioned above.

#### Overhaul kits:

Contain all gaskets, O-rings and aluminium rings belonging to 1 valve size and parts that could be damaged or worn out.  
For detailed content, see specific pages mentioned above.

Data sheet – Spare parts and accessories

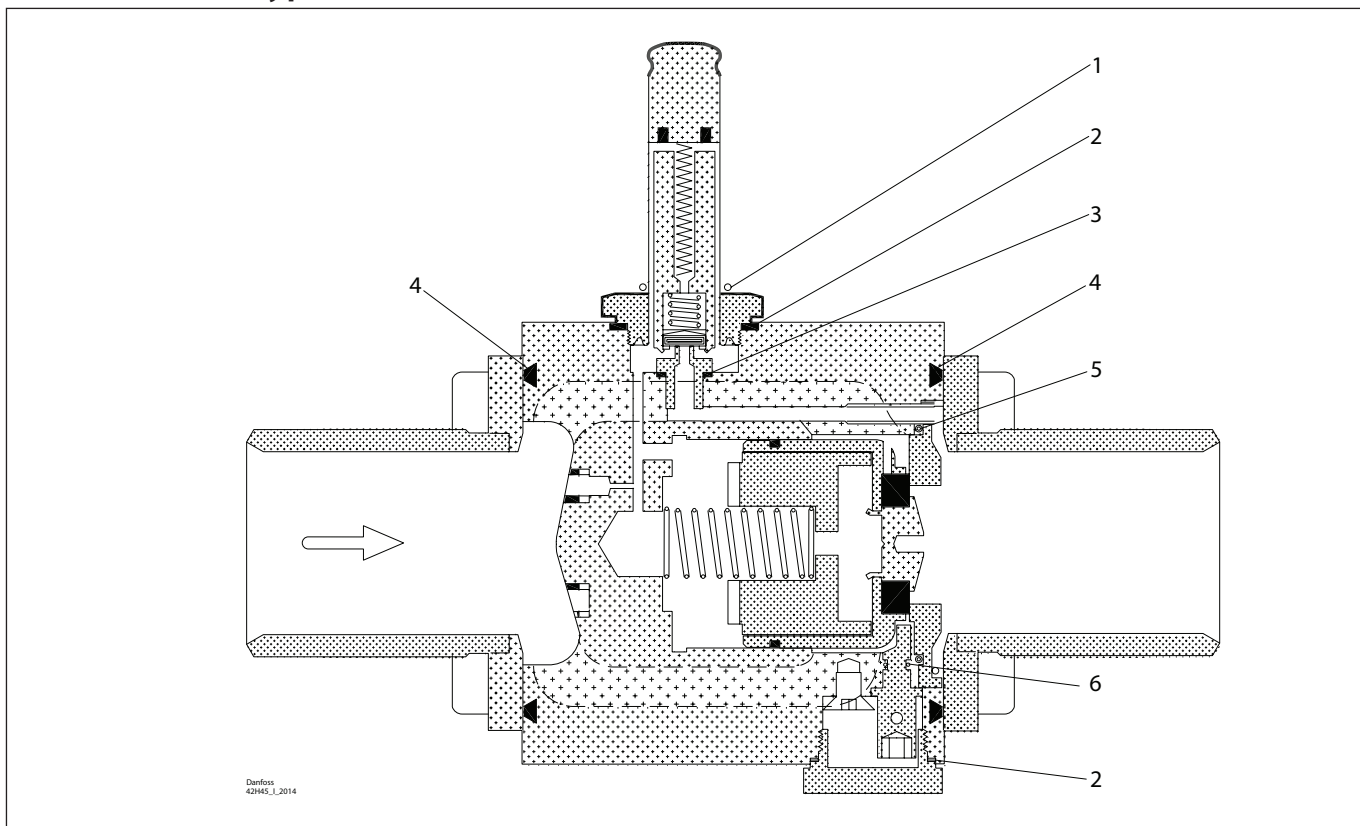
Inspection kit | Code number 032F2326  
Solenoid valve, type EVRA, size 25



<p><b>1</b></p> <p>Total no. = 1</p>	<p><b>2</b></p> <p>Alu.</p> <p>Total no. = 1</p>	<p><b>3</b></p> <p>Alu.</p> <p>Total no. = 1</p>	<p><b>4</b></p> <p>Total no. = 1</p>	<p><b>5</b></p> <p>Rubber</p> <p>Total no. = 1</p>	<p><b>6</b></p> <p>Fibre</p> <p>Total no. = 2</p>
<p><b>7</b></p> <p>Total no. = 1</p>					

Data sheet – Spare parts and accessories

Inspection kit | Code number 032F2327  
Solenoid valve, type EVRA, size 32/40



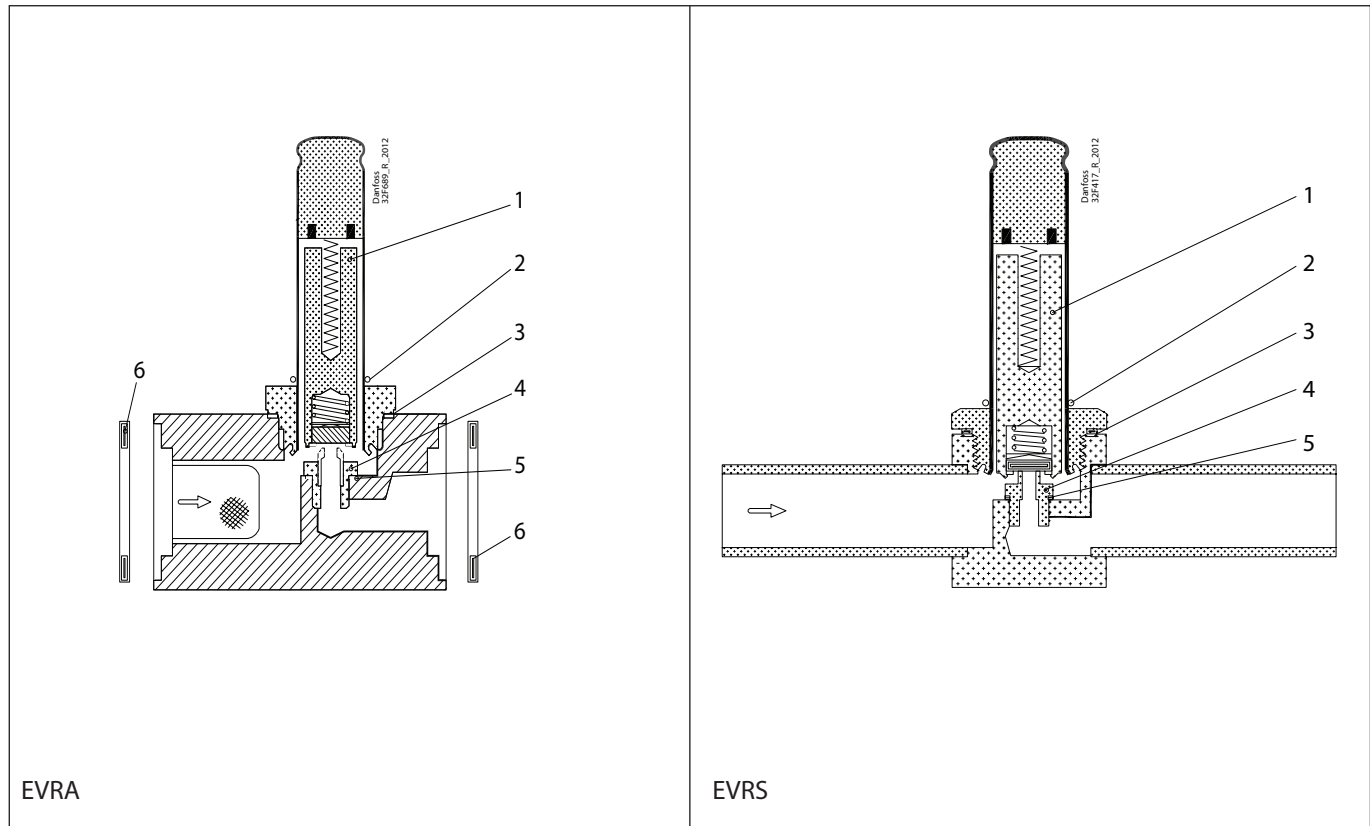
<p><b>1</b></p> <p>Total no. = 1</p>	<p><b>2</b></p> <p> = Alu.</p> <p>Total no. = 2</p>	<p><b>3</b></p> <p> = Alu.</p> <p>Total no. = 1</p>	<p><b>4</b></p> <p>Total no. = 2</p>	<p><b>5</b></p> <p>Total no. = 1</p>
<p><b>6</b></p> <p>Total no. = 1</p>				

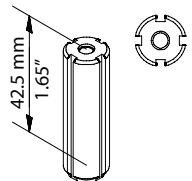
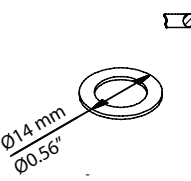
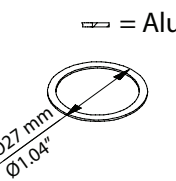
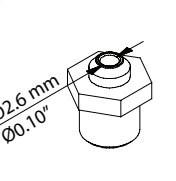
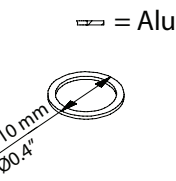
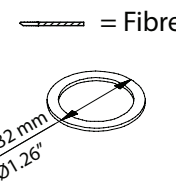
032F2327 can also be used for electric expansion valve, type AKVA 20

Data sheet – Spare parts and accessories

Repair kit | Code number 032F2329

Solenoid valves, types EVRA and EVRS, size 3

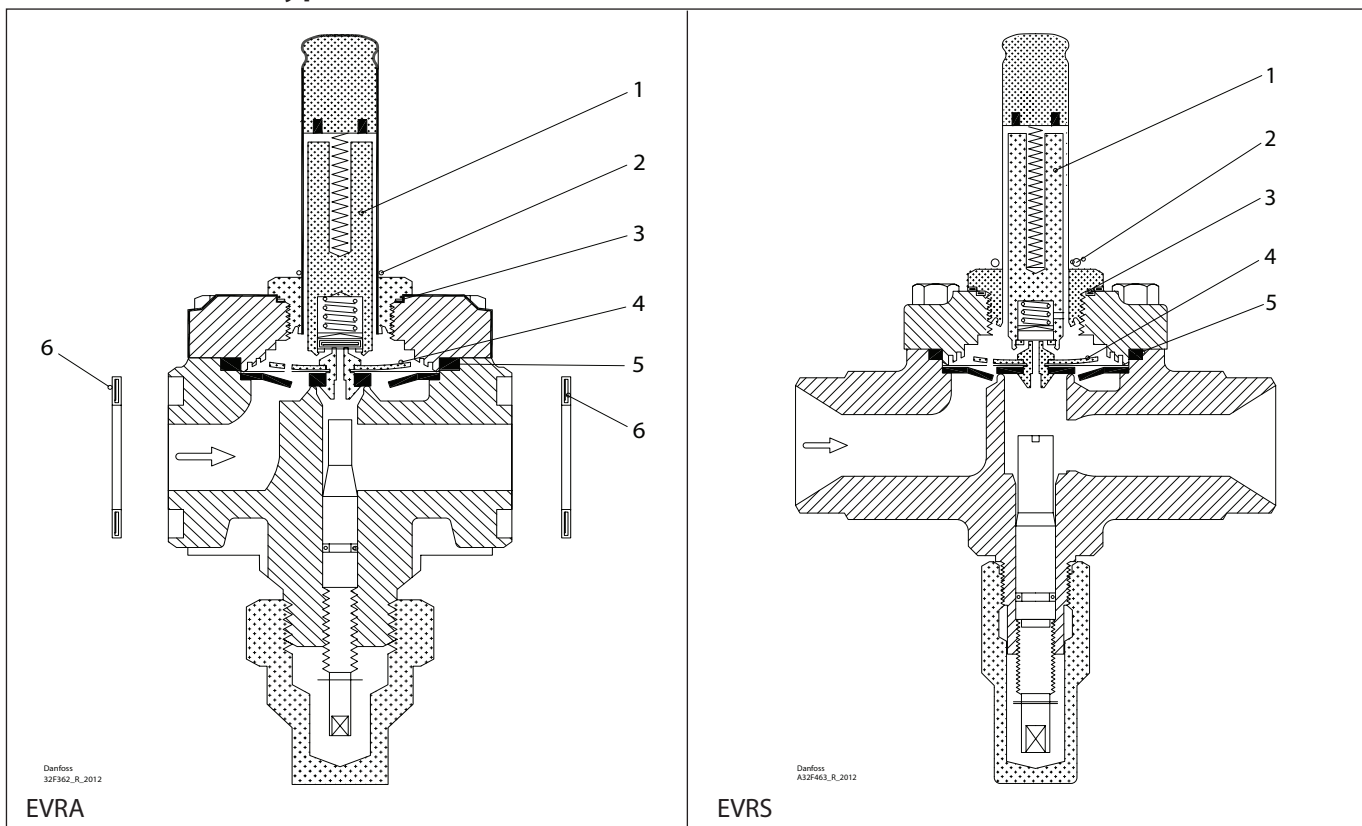


<p><b>1</b> For AC / DC</p>  <p>42.5 mm 1.65"</p> <p>Total no. = 1</p>	<p><b>2</b></p>  <p>Ø14 mm Ø0.56"</p> <p>Total no. = 1</p>	<p><b>3</b></p> <p>= Alu.</p>  <p>Ø27 mm Ø1.04"</p> <p>Total no. = 1</p>	<p><b>4</b></p>  <p>Ø2.6 mm Ø0.10"</p> <p>Total no. = 1</p>	<p><b>5</b></p> <p>= Alu.</p>  <p>Ø10 mm Ø0.4"</p> <p>Total no. = 1</p>	<p><b>6</b></p> <p>= Fibre</p>  <p>Ø32 mm Ø1.26"</p> <p>Total no. = 2</p>
--	---	---	--	--	--



Data sheet – Spare parts and accessories

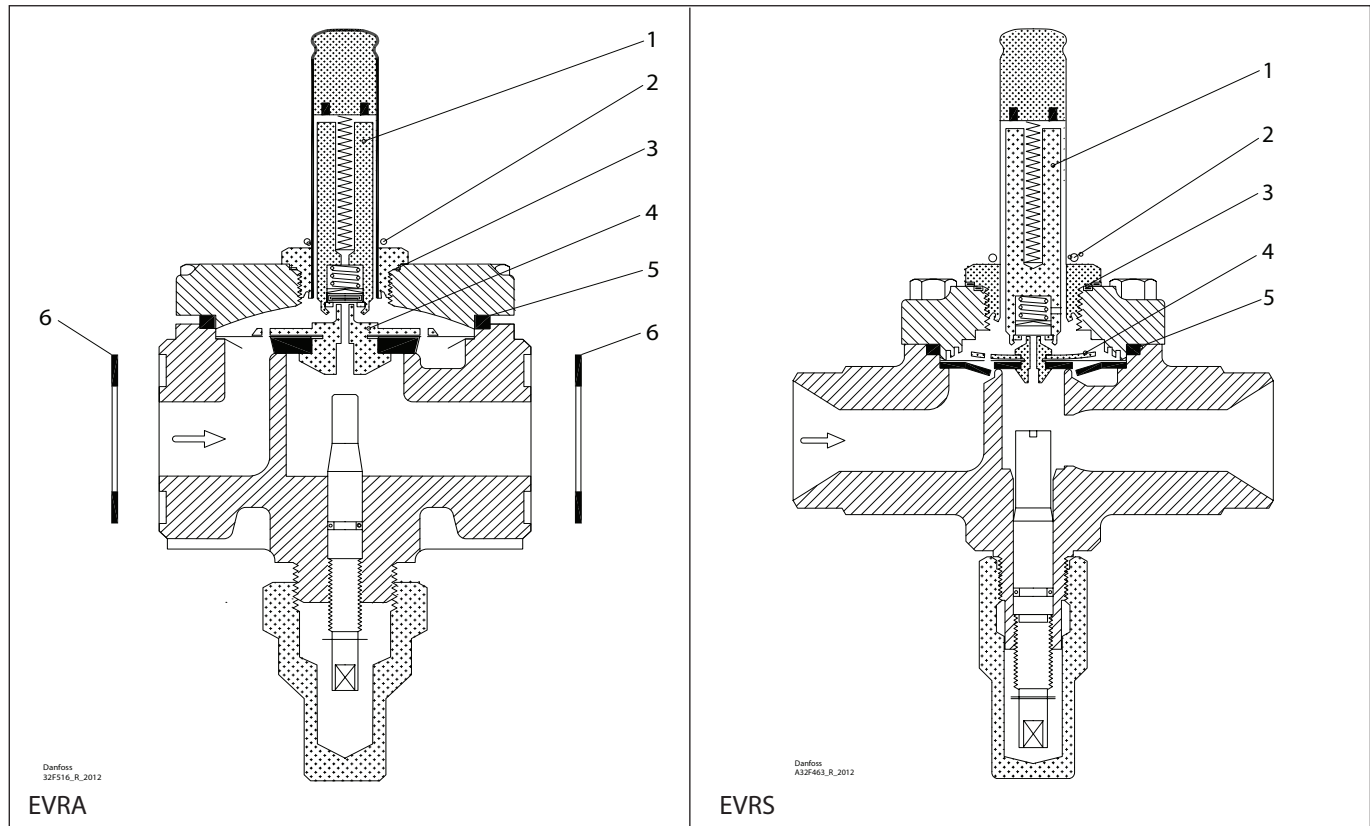
Repair kit | Code number 032F2330  
Solenoid valves, types EVRA and EVRS, size 10



<p><b>1</b> For AC / DC</p> <p>Total no. = 1</p>	<p><b>2</b></p> <p>Total no. = 1</p>	<p><b>3</b> = Alu.</p> <p>Total no. = 1</p>	<p><b>4</b></p> <p>Total no. = 1</p>	<p><b>5</b> = Rubber</p> <p>Total no. = 1</p>	<p><b>6</b> = Fibre</p> <p>Total no. = 2</p>
--	--------------------------------------	---	--------------------------------------	---	--

Data sheet – Spare parts and accessories

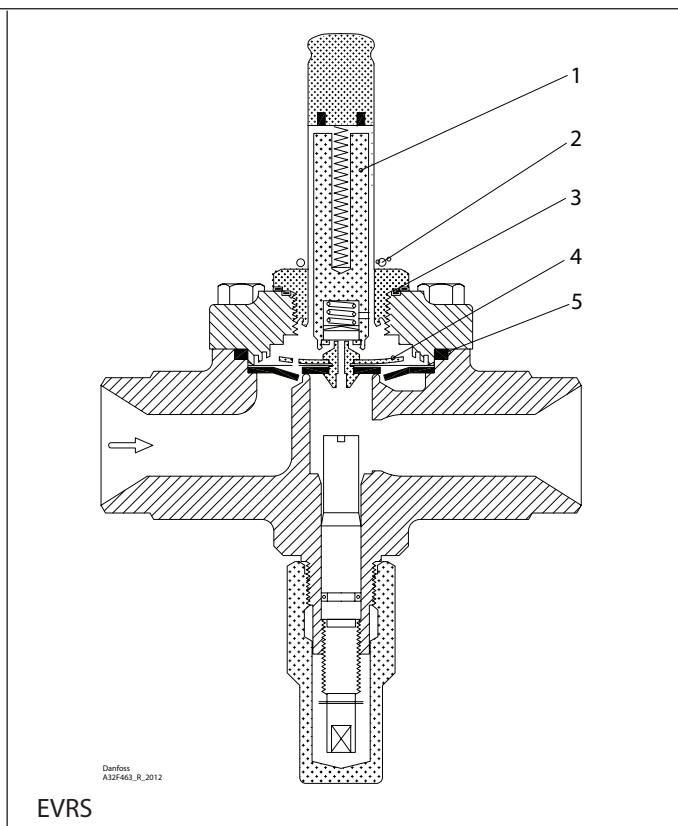
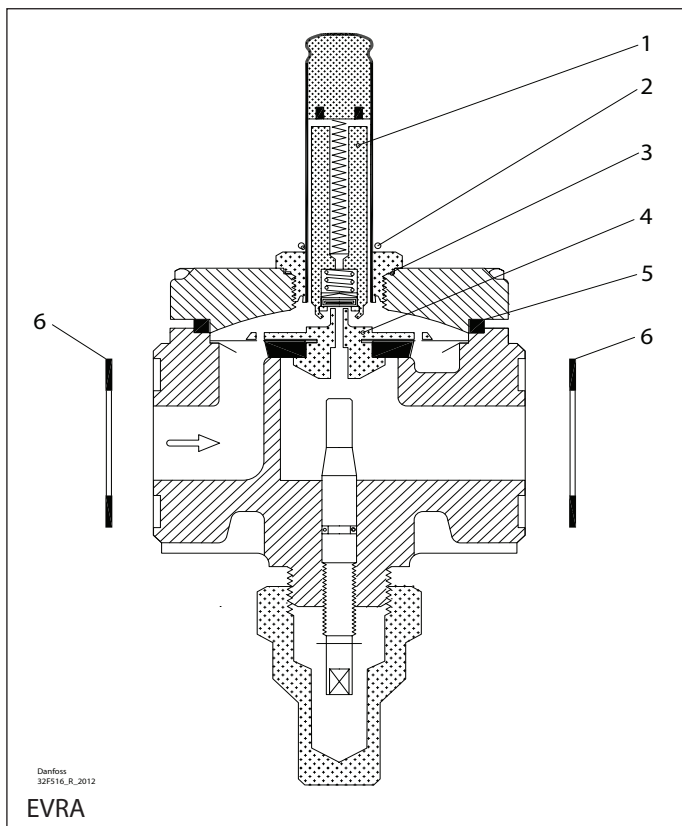
Repair kit | Code number 032F2331  
Solenoid valves, types EVRA and EVRS, size 15



<p><b>1</b> For AC / DC</p> <p>44.9 mm 1.71"</p> <p>Total no. = 1</p>	<p><b>2</b></p> <p>Ø14 mm Ø0.56"</p> <p>Total no. = 1</p>	<p><b>3</b> = Alu.</p> <p>Ø27 mm Ø1.04"</p> <p>Total no. = 1</p>	<p><b>4</b></p> <p>Ø31 mm Ø1.22"</p> <p>Total no. = 1</p>	<p><b>5</b> = Rubber</p> <p>Ø49 mm Ø1.92"</p> <p>Total no. = 1</p>	<p><b>6</b> = Fibre</p> <p>Ø32 mm Ø1.26"</p> <p>Total no. = 2</p>
---	---	--	---	--	---

Data sheet – Spare parts and accessories

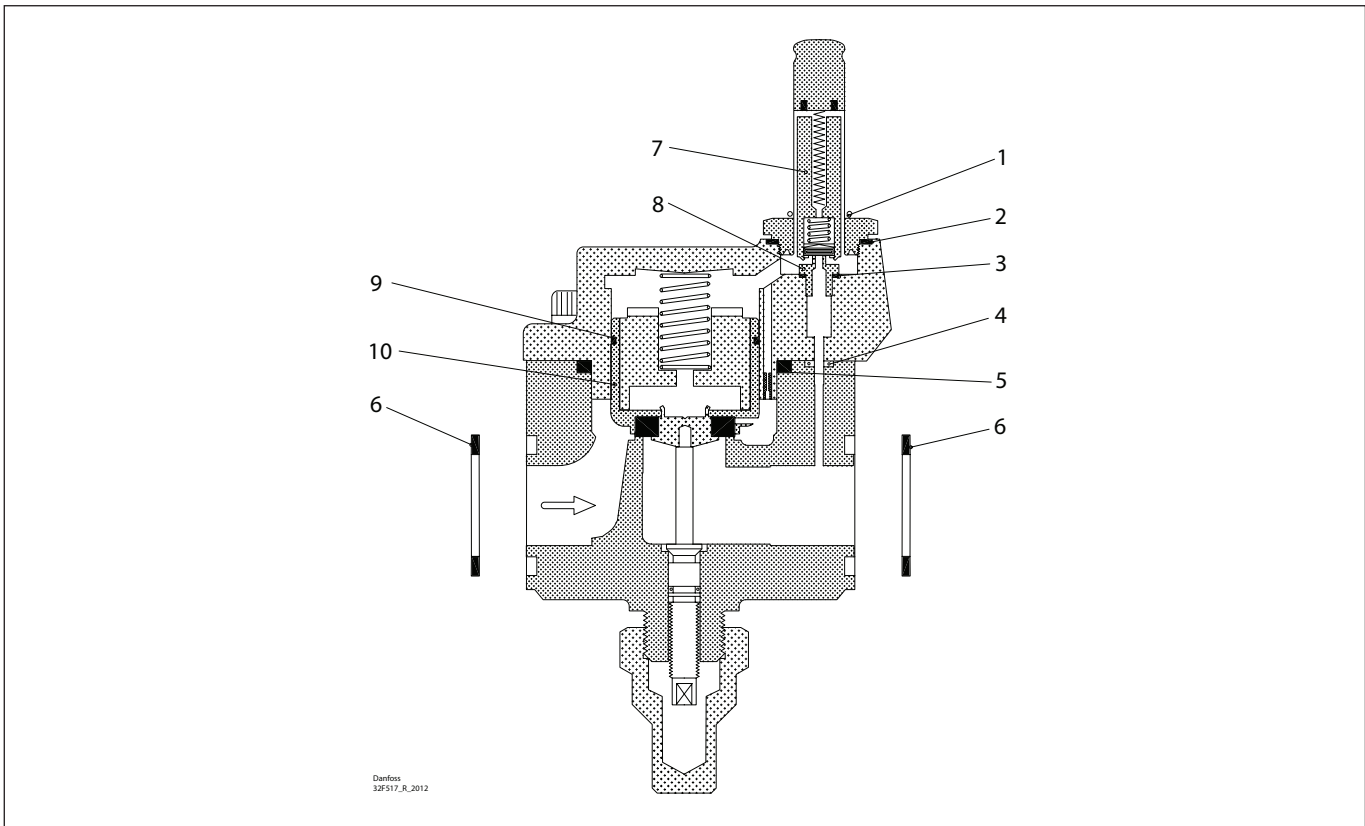
Repair kit | Code number 032F2332  
EVRA and EVRS, size 20



<p><b>1</b> For AC / DC</p> <p>Total no. = 1</p>	<p><b>2</b></p> <p>Total no. = 1</p>	<p><b>3</b> = Alu.</p> <p>Total no. = 1</p>	<p><b>4</b></p> <p>Total no. = 1</p>	<p><b>5</b> = Rubber</p> <p>Total no. = 1</p>	<p><b>6</b> = Fibre</p> <p>Total no. = 2</p>
--	--------------------------------------	---	--------------------------------------	---	--

Data sheet – Spare parts and accessories

Repair kit | Code number 032F2333  
Solenoid valve, type EVRA, size 25

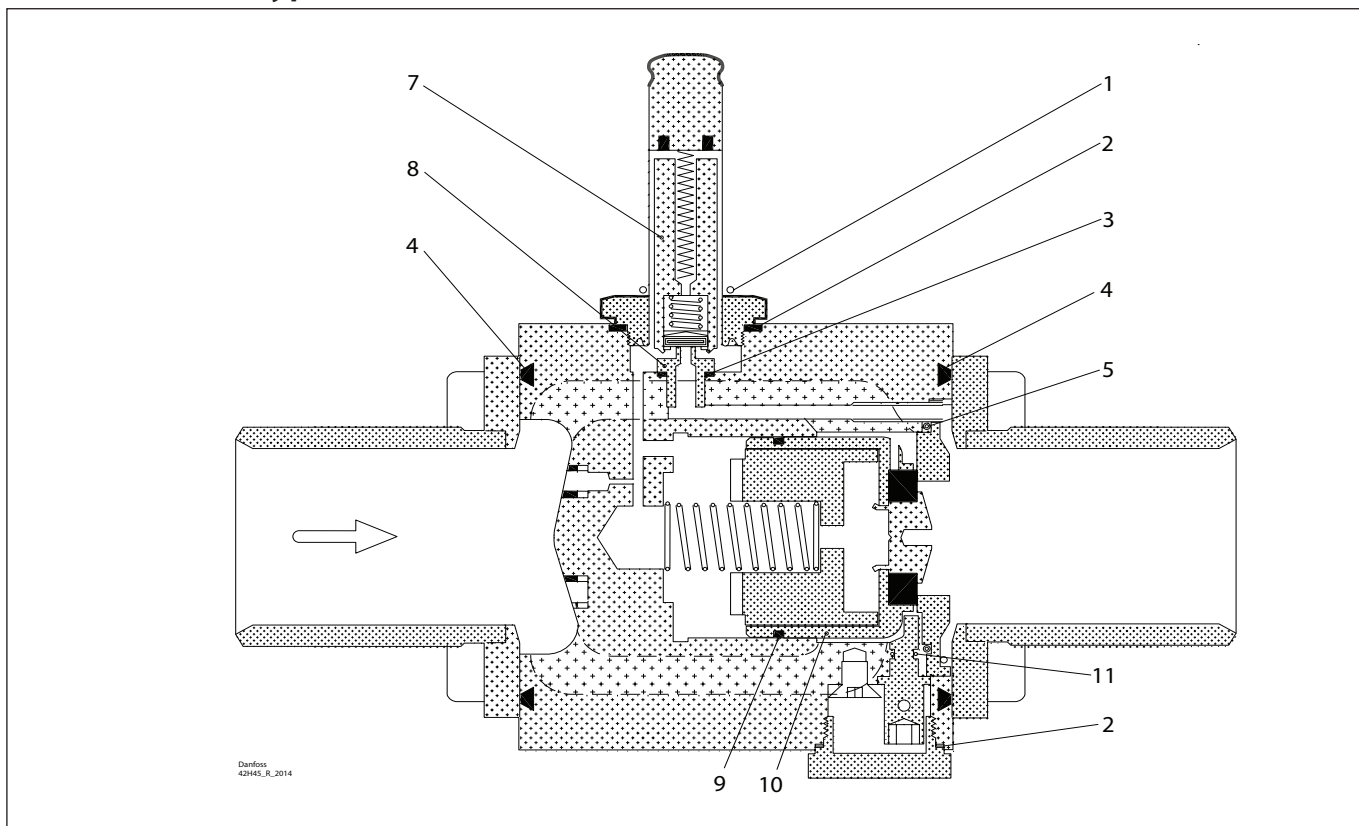


Danfoss  
32F517\_R\_2012

<p><b>1</b></p> <p>Total no. = 1</p>	<p><b>2</b></p> <p>Total no. = 1</p>	<p><b>3</b></p> <p>Total no. = 1</p>	<p><b>4</b></p> <p>Total no. = 1</p>	<p><b>5</b></p> <p>Total no. = 1</p>
<p><b>6</b></p> <p>Total no. = 2</p>	<p><b>7</b></p> <p>Total no. = 1</p>	<p><b>8</b></p> <p>Total no. = 1</p>	<p><b>9</b></p> <p>Total no. = 1</p>	<p><b>10</b></p> <p>Total no. = 1</p>

Data sheet – Spare parts and accessories

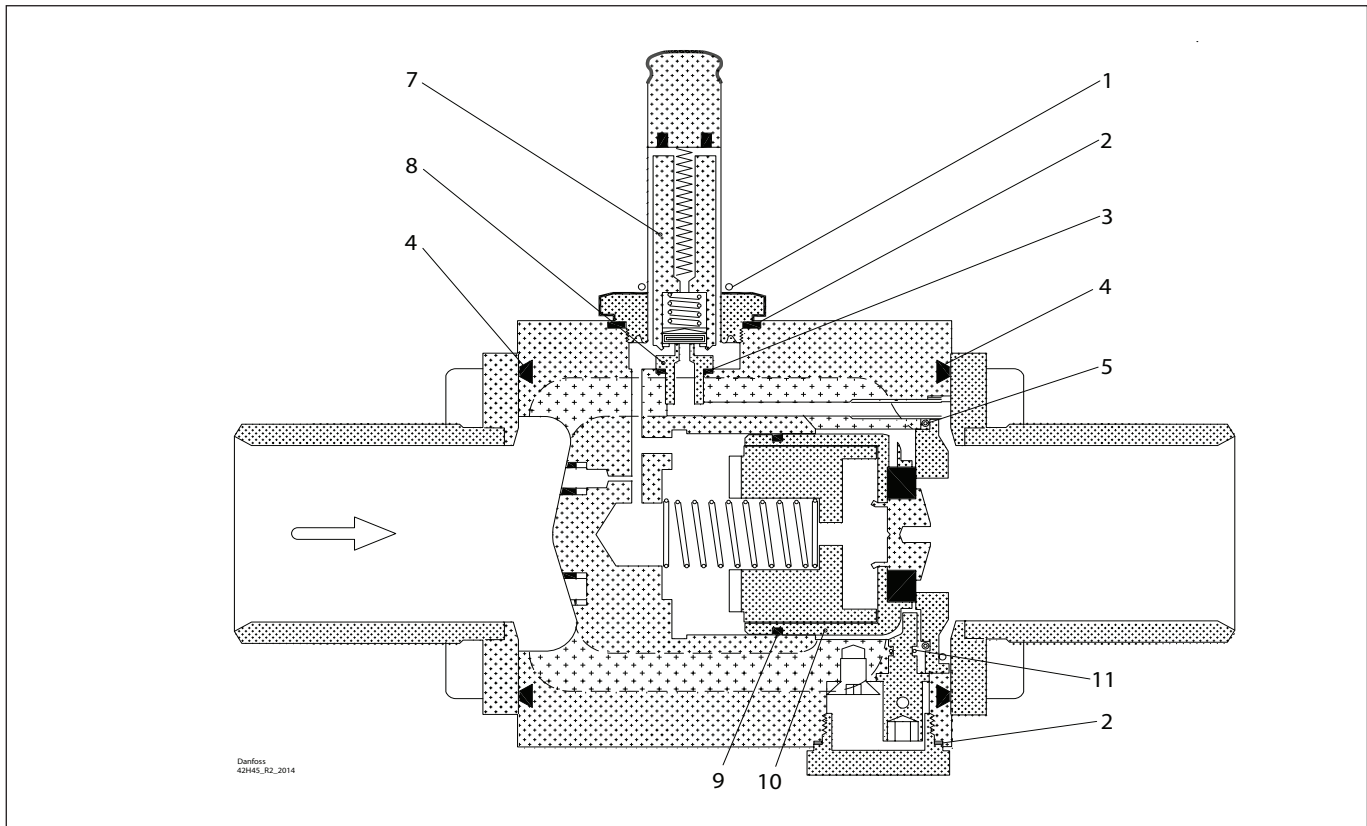
Repair kit | Code number 032F2334  
Solenoid valve, type EVRA, size 32



<p><b>1</b></p> <p>Total no. = 1</p>	<p><b>2</b></p> <p>Alu.</p> <p>Total no. = 2</p>	<p><b>3</b></p> <p>Alu.</p> <p>Total no. = 1</p>	<p><b>4</b></p> <p>Total no. = 2</p>	<p><b>5</b></p> <p>Total no. = 1</p>
<p><b>7</b></p> <p>Total no. = 1</p>	<p><b>8</b></p> <p>Total no. = 1</p>	<p><b>9</b></p> <p>Steel</p> <p>Total no. = 1</p>	<p><b>10</b></p> <p>Total no. = 1</p>	<p><b>11</b></p> <p>Total no. = 1</p>

Data sheet – Spare parts and accessories

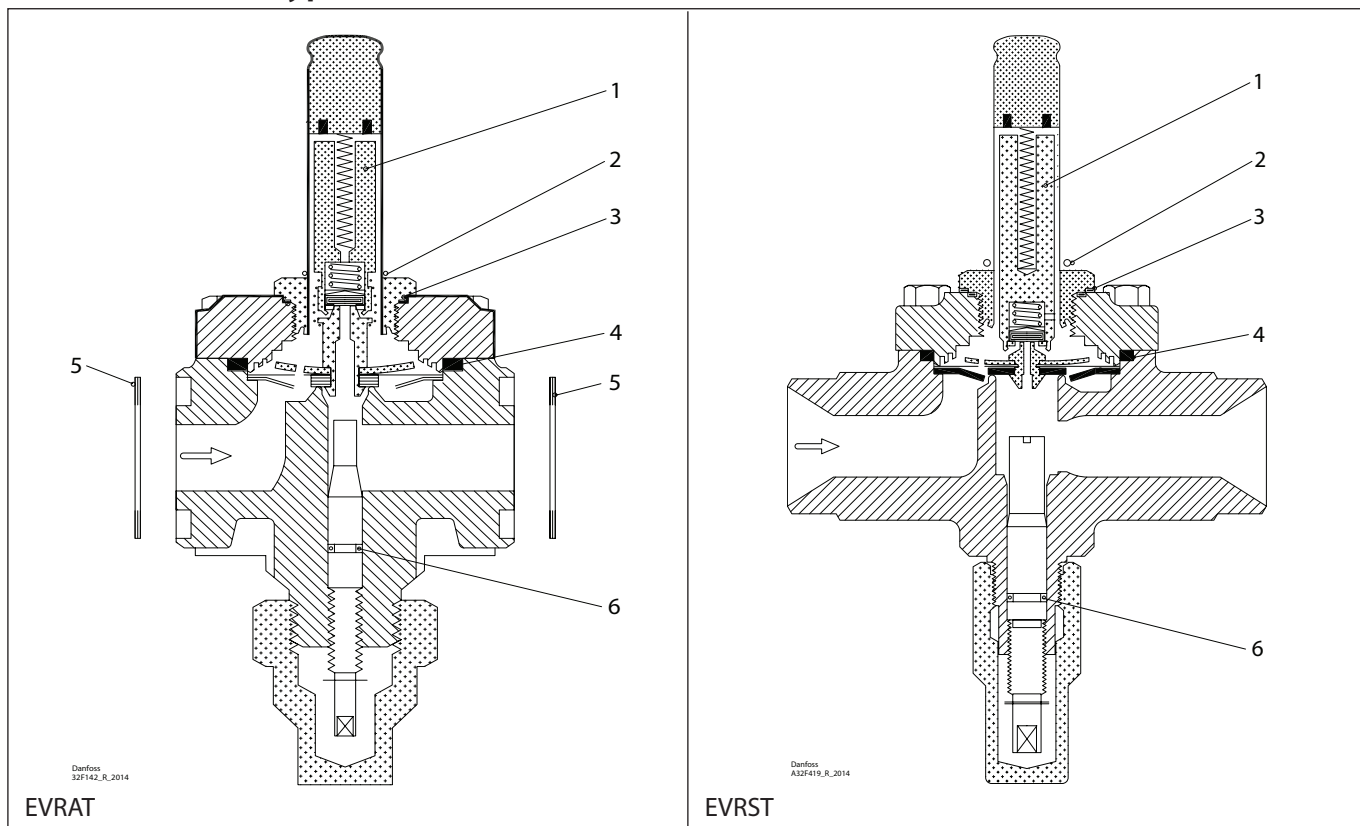
Repair kit | Code number 032F2335  
Solenoid valve, type EVRA, size 40

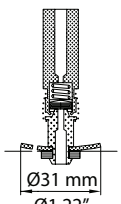
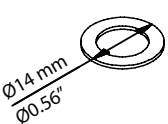
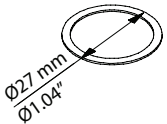
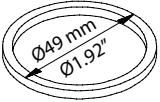
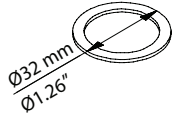
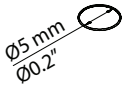


<p><b>1</b></p> <p>Total no. = 1</p>	<p><b>2</b></p> <p>☞ = Alu.</p> <p>Total no. = 2</p>	<p><b>3</b></p> <p>☞ = Alu.</p> <p>Total no. = 1</p>	<p><b>4</b></p> <p>Total no. = 2</p>	<p><b>5</b></p> <p>Total no. = 1</p>
<p><b>7</b></p> <p>Total no. = 1</p>	<p><b>8</b></p> <p>Total no. = 1</p>	<p><b>9</b></p> <p>☞ = Steel</p> <p>Total no. = 1</p>	<p><b>10</b></p> <p>Total no. = 1</p>	<p><b>11</b></p> <p>Total no. = 1</p>

Data sheet – Spare parts and accessories

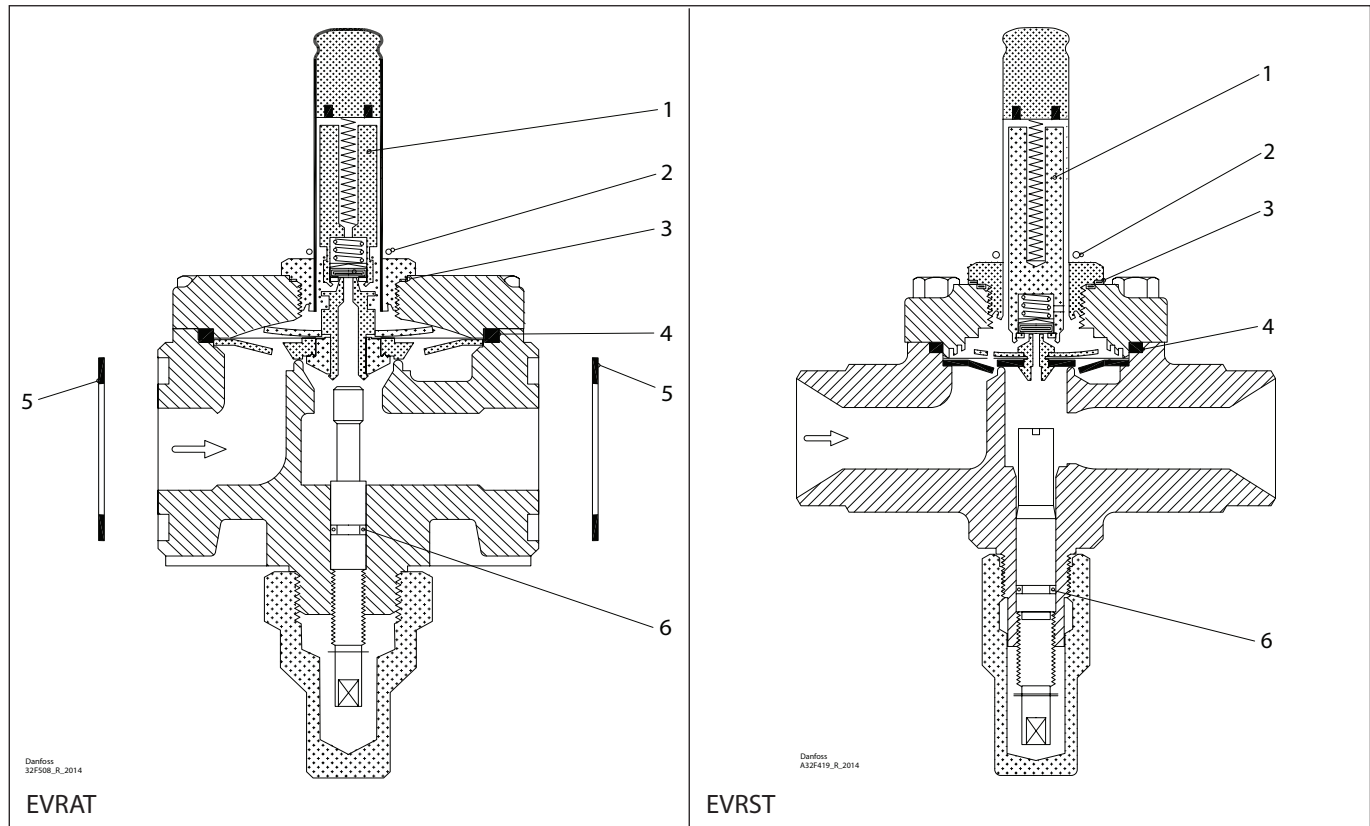
Repair kit | Code number 032F234335  
Solenoid valves, types EVRAT and EVRST, size 10

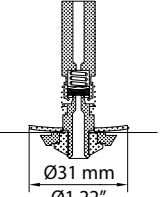
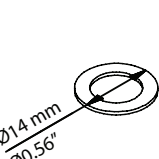
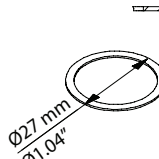
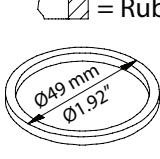
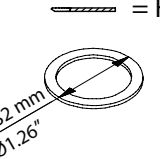
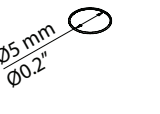


<p><b>1</b></p>  <p>Ø31 mm Ø1.22"</p> <p>Total no. = 1</p>	<p><b>2</b></p>  <p>Ø14 mm Ø0.56"</p> <p>Total no. = 1</p>	<p><b>3</b></p>  <p>Ø27 mm Ø1.04"</p> <p>Total no. = 1</p>	<p><b>4</b></p>  <p>Ø49 mm Ø1.92"</p> <p>Total no. = 1</p>	<p><b>5</b></p>  <p>Ø32 mm Ø1.26"</p> <p>Total no. = 2</p>
<p><b>6</b></p>  <p>Ø5 mm Ø0.2"</p> <p>Total no. = 1</p>				

Data sheet – Spare parts and accessories

Repair kit | Code number 032F2344  
Solenoid valves, types EVRAT and EVRST, size 15

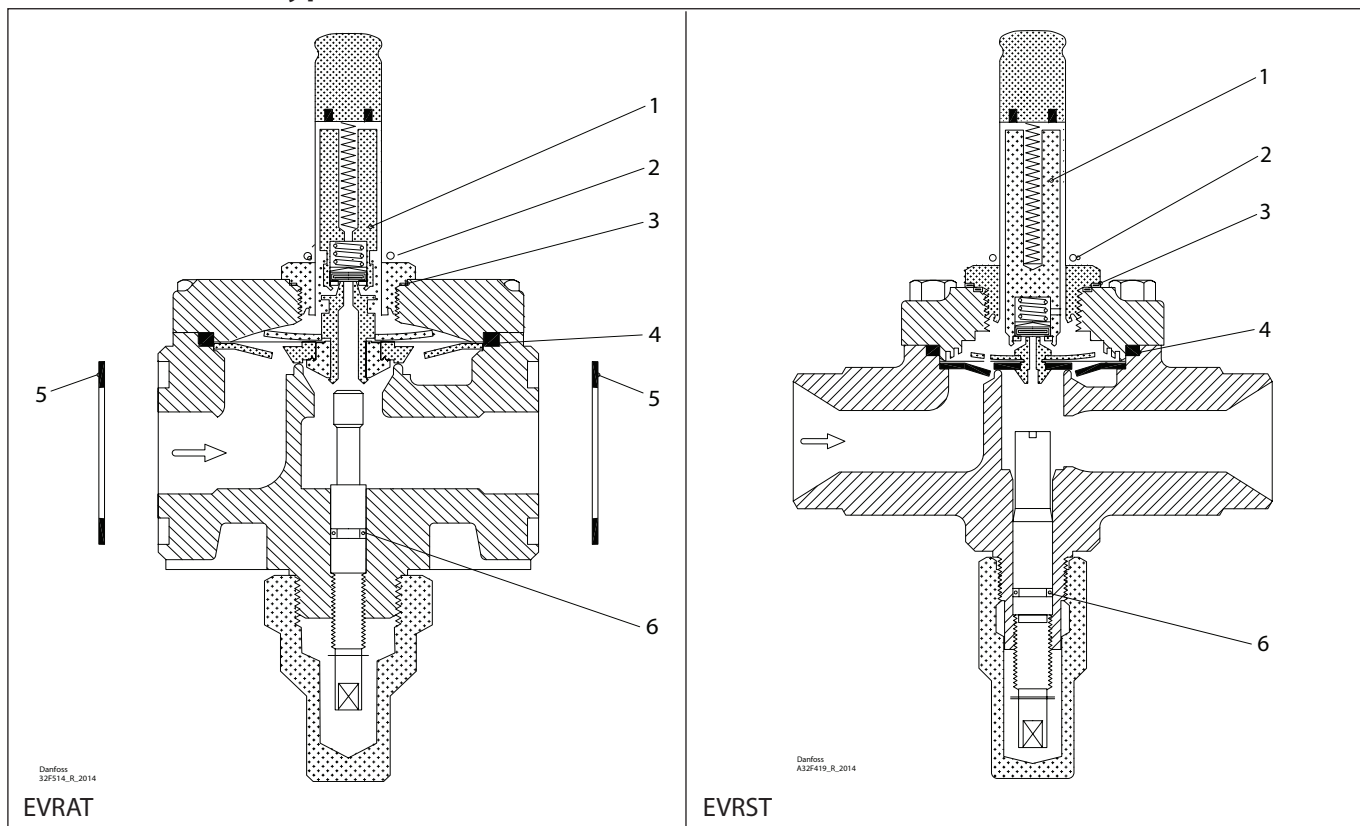


<p><b>1</b></p>  <p>Ø31 mm Ø1.22"</p> <p>Total no. = 1</p>	<p><b>2</b></p>  <p>Ø14 mm Ø0.56"</p> <p>Total no. = 1</p>	<p><b>3</b></p>  <p>Ø27 mm Ø1.04"</p> <p>Total no. = 1</p> <p>= Alu.</p>	<p><b>4</b></p>  <p>Ø49 mm Ø1.92"</p> <p>Total no. = 1</p> <p>= Rubber</p>	<p><b>5</b></p>  <p>Ø32 mm Ø1.26"</p> <p>Total no. = 2</p> <p>= Fibre</p>
<p><b>6</b></p>  <p>Ø5 mm Ø0.2"</p> <p>Total no. = 1</p>				



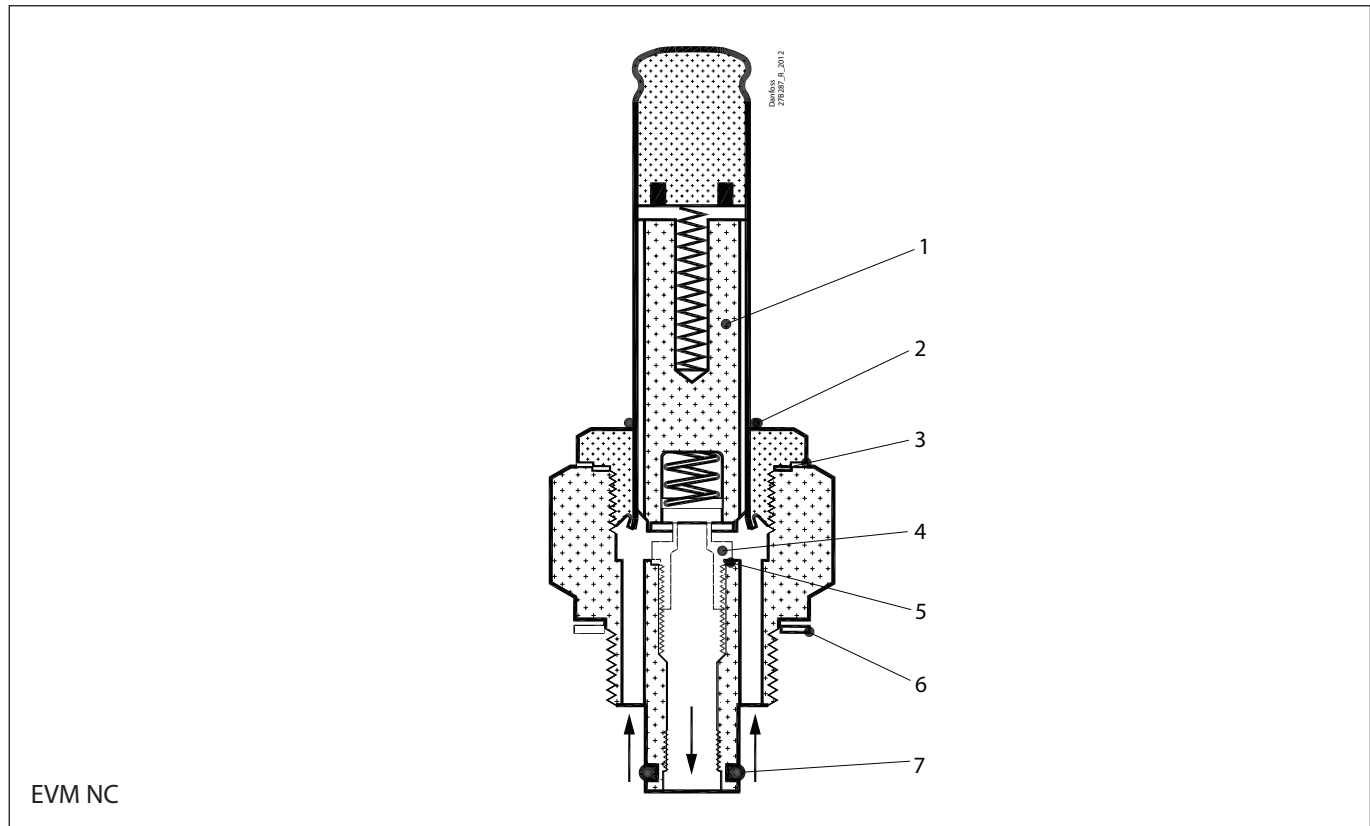
Data sheet – Spare parts and accessories

Repair kit | Code number 032F2345  
Solenoid valves, types EVRAT and EVRST, size 20



<p><b>1</b></p> <p>Ø38 mm Ø1.5"</p> <p>Total no. = 1</p>	<p><b>2</b></p> <p>Ø14 mm Ø0.56"</p> <p>Total no. = 1</p>	<p><b>3</b></p> <p>Ø27 mm Ø1.04"</p> <p>Total no. = 1</p>	<p><b>4</b></p> <p>Ø64 mm Ø2.52"</p> <p>Total no. = 1</p>	<p><b>5</b></p> <p>Ø39 mm Ø1.54"</p> <p>Total no. = 2</p>
<p><b>6</b></p> <p>Ø5 mm Ø0.2"</p> <p>Total no. = 1</p>				

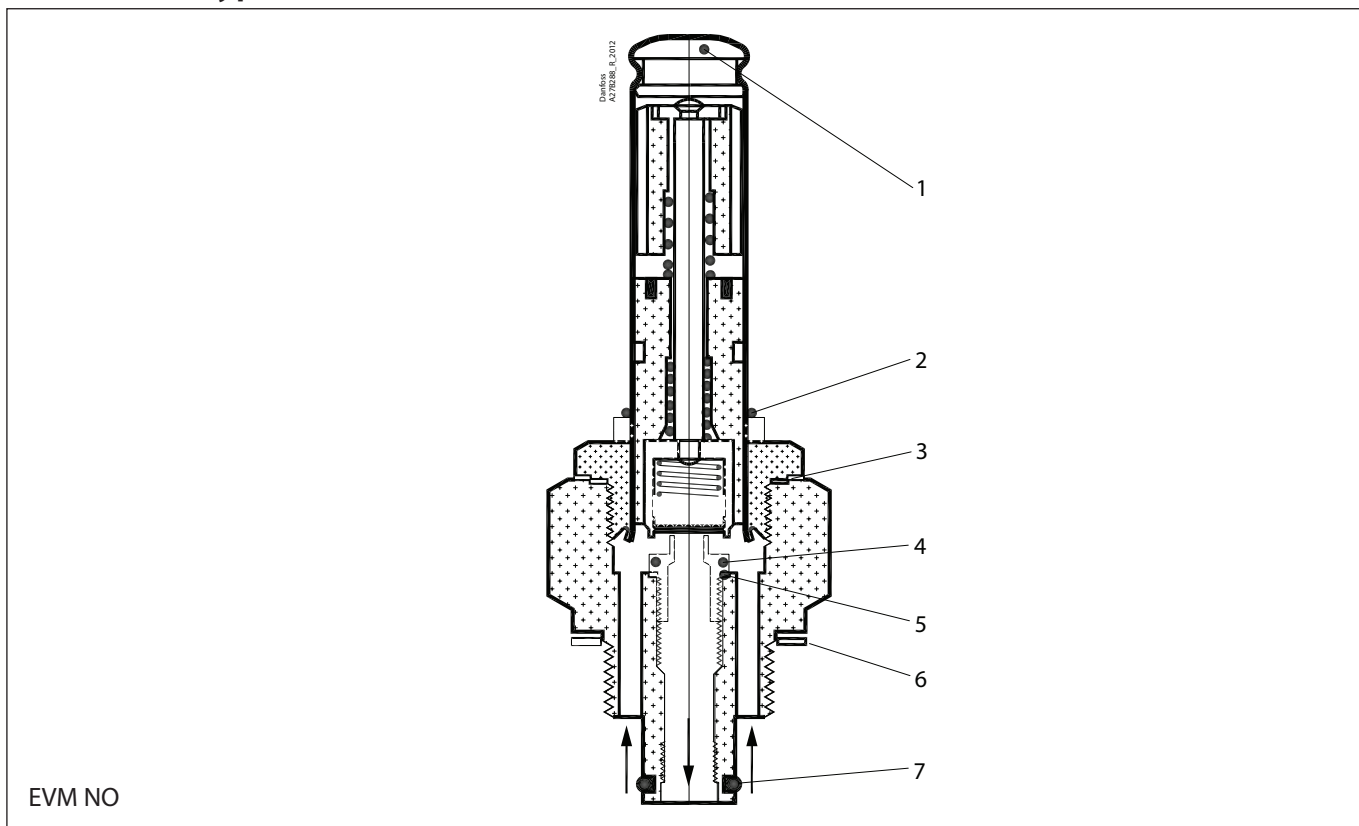
Data sheet – Spare parts and accessories  
**Repair kit | Code number 032F2324**  
**Pilot valves, types EVM (NC)**



<p><b>1</b></p> <p>42.45 mm 1.71"</p> <p>Total no. = 1</p>	<p><b>2</b></p> <p>Ø14 mm Ø0.56"</p> <p>Total no. = 1</p>	<p><b>3</b></p> <p>— = Alu.</p> <p>Ø27 mm Ø1.04"</p> <p>Total no. = 1</p>	<p><b>4</b></p> <p>Ø3.3 mm Ø0.13"</p> <p>Total no. = 1</p>	<p><b>5</b></p> <p>— = Alu.</p> <p>Ø10 mm Ø0.4"</p> <p>Total no. = 1</p>	<p><b>6</b></p> <p>— = Fibre</p> <p>Ø33 mm Ø1.3"</p> <p>Total no. = 1</p>
<p><b>7</b></p> <p>Ø9 mm Ø0.35"</p> <p>Total no. = 1</p>					

Data sheet – Spare parts and accessories

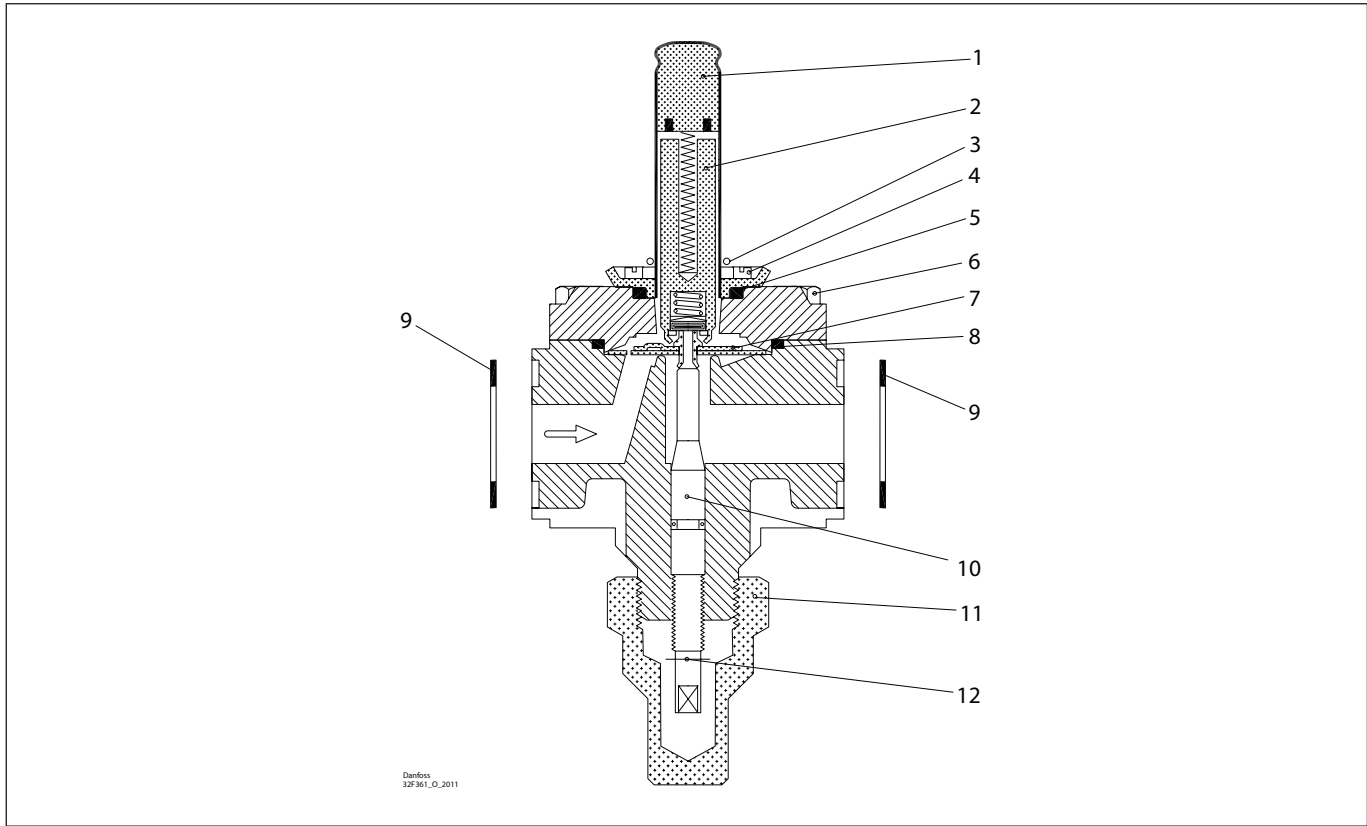
Repair kit | Code number 032F2325  
Pilot valves, types EVM (NO)



<p><b>1</b></p> <p>Total no. = 1</p>	<p><b>2</b></p> <p>Ø14 mm Ø0.56"</p> <p>Total no. = 1</p>	<p><b>3</b></p> <p>— = Alu.</p> <p>Ø27 mm Ø1.04"</p> <p>Total no. = 1</p>	<p><b>4</b></p> <p>Ø1.8 mm Ø0.07"</p> <p>Total no. = 1</p>	<p><b>5</b></p> <p>— = Alu.</p> <p>Ø10 mm Ø0.4"</p> <p>Total no. = 1</p>	<p><b>6</b></p> <p>— = Fibre</p> <p>Ø33 mm Ø1.3"</p> <p>Total no. = 2</p>
<p><b>7</b></p> <p>Ø9 mm Ø0.35"</p> <p>Total no. = 1</p>					

Data sheet – Spare parts and accessories

**Overhaul kit | Code number 032F2202**  
**Solenoid valve, type EVRA, size 10 (previous design)**

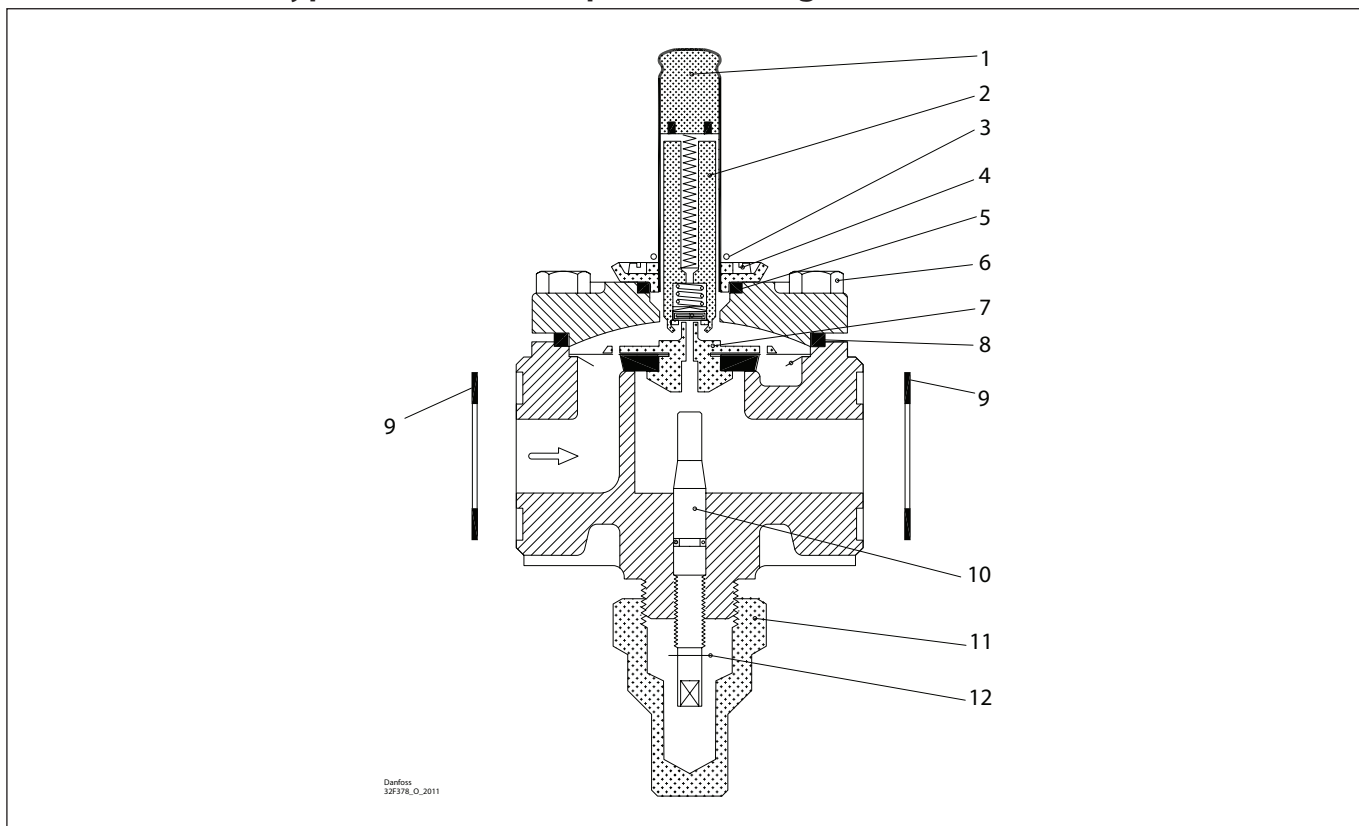


Danfoss  
32F361\_0\_2011

<p><b>1</b></p> <p>Total no. = 1</p>	<p><b>2</b> For AC/DC</p> <p>Total no. = 1</p>	<p><b>3</b></p> <p>Total no. = 1</p>	<p><b>4</b></p> <p>Total no. = 4</p>	<p><b>5</b></p> <p>Total no. = 1</p>	<p><b>6</b></p> <p>Total no. = 4</p>
<p><b>7</b></p> <p>Total no. = 1</p>	<p><b>8</b></p> <p>Total no. = 1</p>	<p><b>9</b></p> <p>Total no. = 2</p>	<p><b>10</b></p> <p>Total no. = 1</p>	<p><b>11</b></p> <p>Total no. = 1</p>	<p><b>12</b></p> <p>Total no. = 1</p>

Data sheet – Spare parts and accessories

**Overhaul kit | Code number 032F2209**  
**Solenoid valve, type EVRA, size 15 (previous design)**

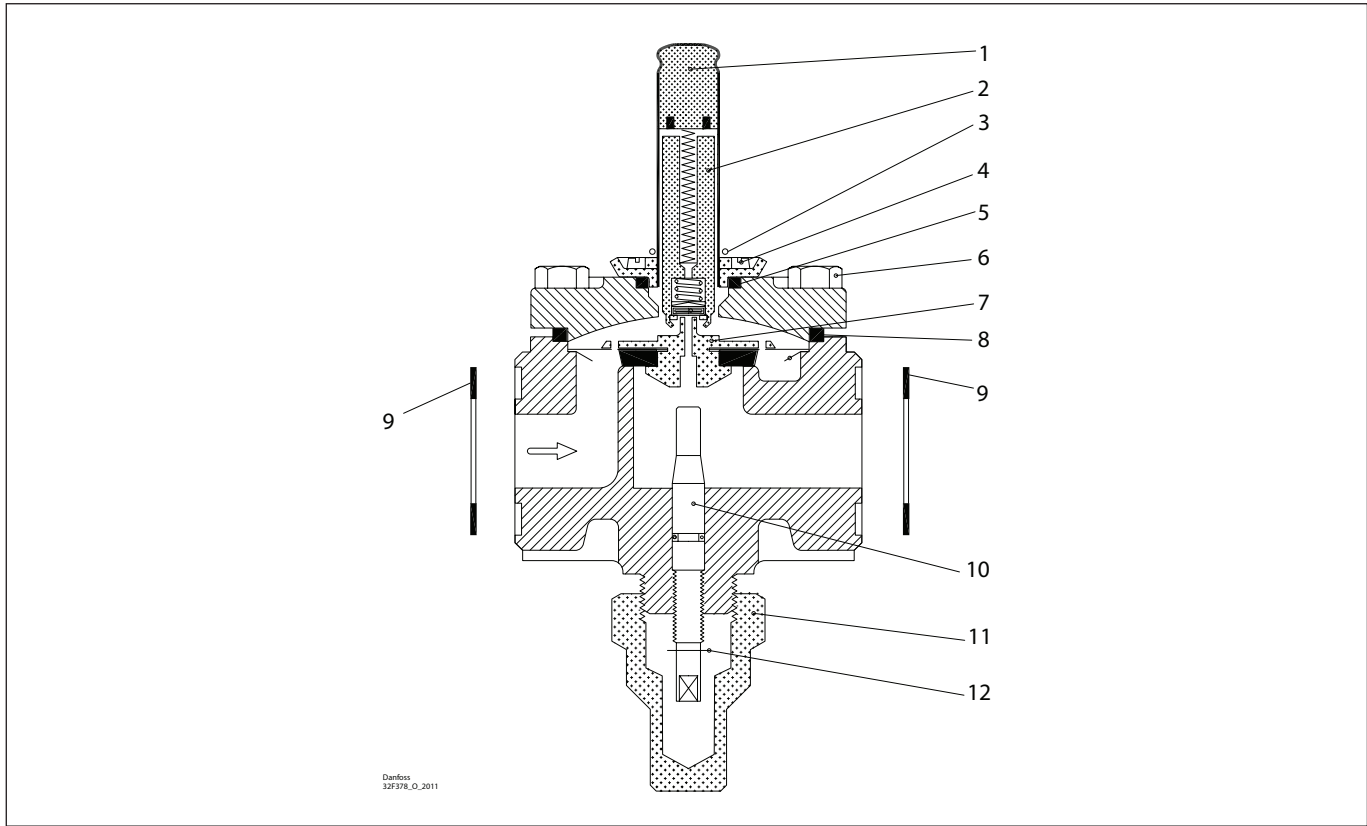


<p><b>1</b></p> <p>Total no. = 1</p>	<p><b>2</b> For AC/DC</p> <p>Total no. = 1</p>	<p><b>3</b></p> <p>Total no. = 1</p>	<p><b>4</b></p> <p>Total no. = 4</p>	<p><b>5</b></p> <p>Total no. = 1</p>	<p><b>6</b></p> <p>Total no. = 4</p>
<p><b>7</b></p> <p>Total no. = 1</p>	<p><b>8</b></p> <p>Total no. = 1</p>	<p><b>9</b></p> <p>Total no. = 2</p>	<p><b>10</b></p> <p>Total no. = 1</p>	<p><b>11</b></p> <p>Total no. = 1</p>	<p><b>12</b></p> <p>Total no. = 1</p>

Data sheet – Spare parts and accessories

Overhaul kit | Code number 032F2210

Solenoid valve, type EVRA, size 20 (previous design)

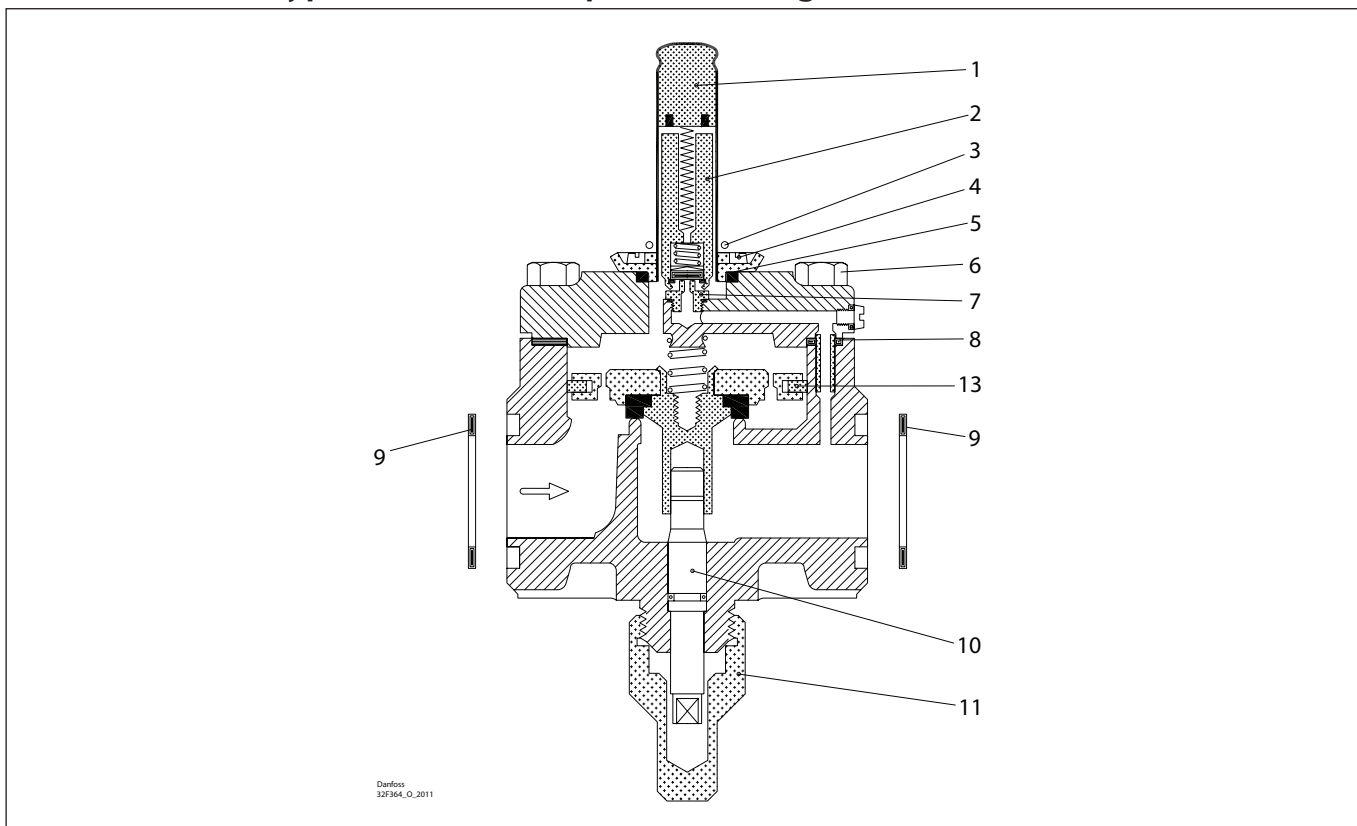


Danfoss  
32F378\_O\_2011

<p><b>1</b></p> <p>Total no. = 1</p>	<p><b>2</b> For AC/DC</p> <p>Total no. = 1</p>	<p><b>3</b></p> <p>Total no. = 1</p>	<p><b>4</b></p> <p>Total no. = 4</p>	<p><b>5</b></p> <p>Total no. = 1</p>	<p><b>6</b></p> <p>Total no. = 4</p>
<p><b>7</b></p> <p>Total no. = 1</p>	<p><b>8</b></p> <p>Total no. = 1</p>	<p><b>9</b></p> <p>Total no. = 2</p>	<p><b>10</b></p> <p>Total no. = 1</p>	<p><b>11</b></p> <p>Total no. = 1</p>	<p><b>12</b></p> <p>Total no. = 1</p>

Data sheet – Spare parts and accessories

**Overhaul kit | Code number 032F2218**  
**Solenoid valve, type EVRA, size 25 (previous design)**

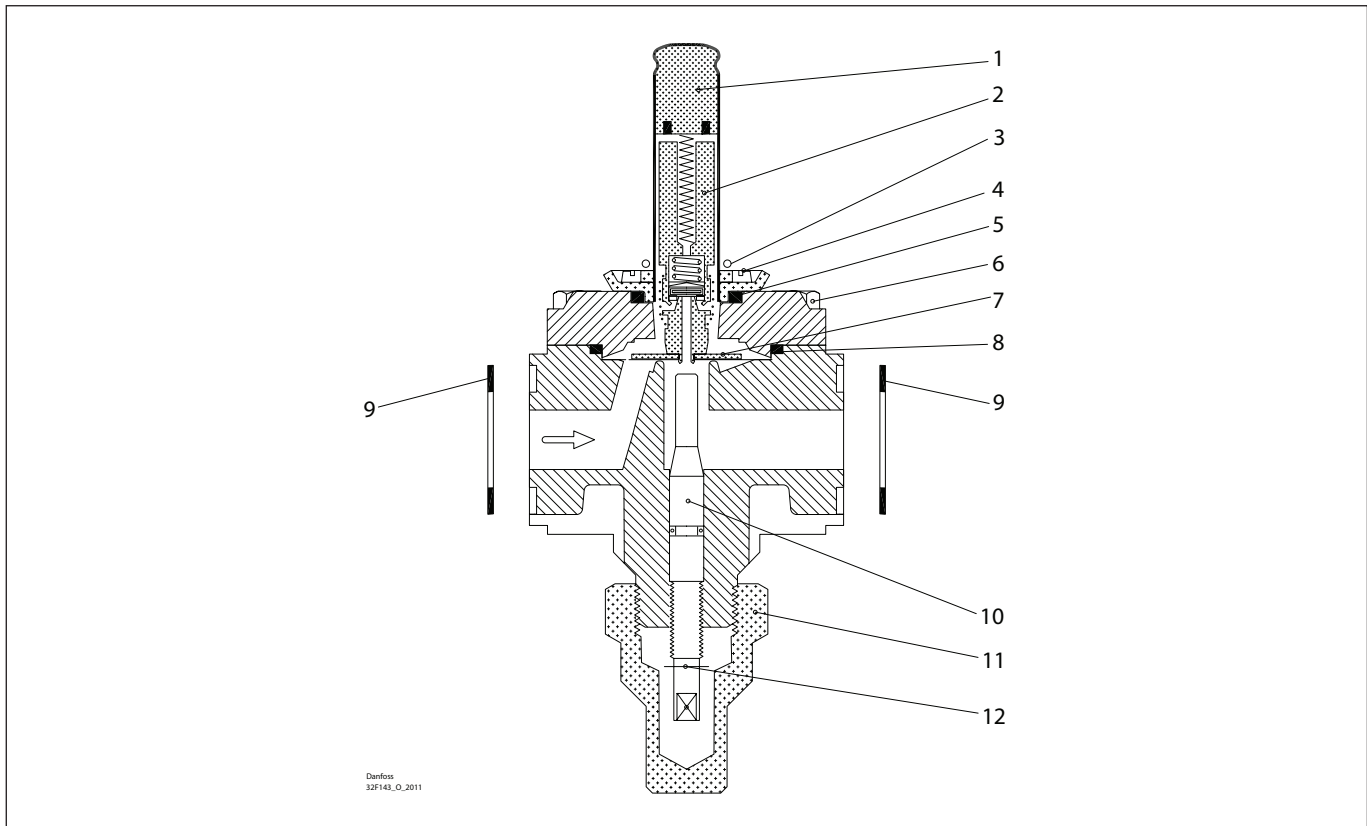


<p><b>1</b></p> <p>Total no. = 1</p>	<p><b>2</b> For AC/DC</p> <p>Total no. = 1</p>	<p><b>3</b></p> <p>Total no. = 1</p>	<p><b>4</b></p> <p>Total no. = 4</p>	<p><b>5</b> = Rubber</p> <p>Total no. = 1</p>	<p><b>6</b></p> <p>Total no. = 4</p>
<p><b>7</b></p> <p>Total no. = 1</p>	<p><b>8</b> = Fibre</p> <p>Total no. = 1</p>	<p><b>9</b> = Fibre</p> <p>Total no. = 2</p>	<p><b>10</b></p> <p>Total no. = 1</p>	<p><b>11</b></p> <p>Total no. = 1</p>	<p><b>13</b></p> <p>Total no. = 1</p>

Data sheet – Spare parts and accessories

Overhaul kit | Code number 032F2321

Solenoid valve, type EVRAT, size 10 (previous design)

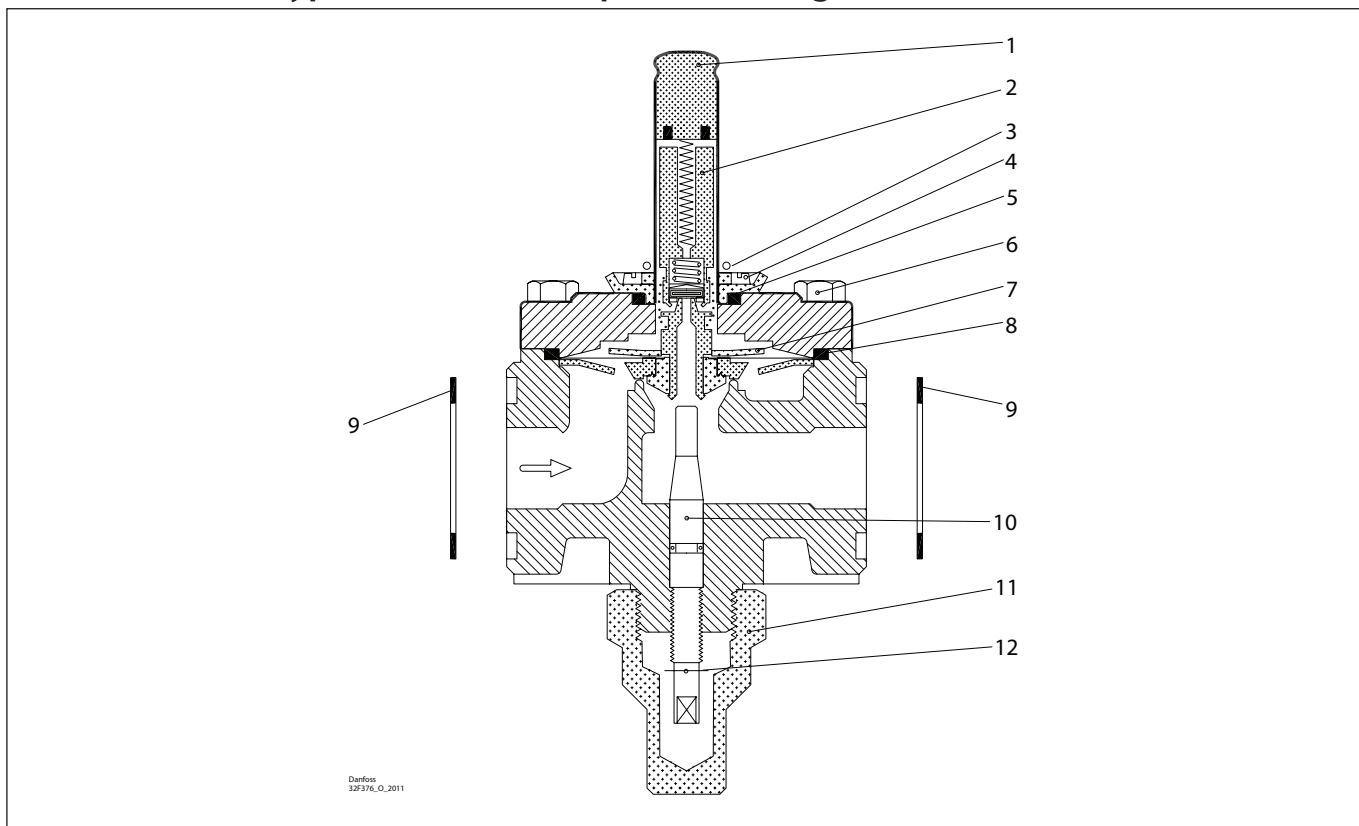


<p><b>1</b></p> <p>Total no. = 1</p>	<p><b>2</b></p> <p>Total no. = 1</p>	<p><b>3</b></p> <p>Total no. = 1</p>	<p><b>4</b></p> <p>Total no. = 4</p>	<p><b>5</b></p> <p>Total no. = 1</p>	<p><b>6</b></p> <p>Total no. = 4</p>
<p><b>7</b></p> <p>Total no. = 1</p>	<p><b>8</b></p> <p>Total no. = 1</p>	<p><b>9</b></p> <p>Total no. = 2</p>	<p><b>10</b></p> <p>Total no. = 1</p>	<p><b>11</b></p> <p>Total no. = 1</p>	<p><b>12</b></p> <p>Total no. = 1</p>



Data sheet – Spare parts and accessories

**Overhaul kit | Code number 032F2322**  
**Solenoid valve, type EVRAT, size 15 (previous design)**

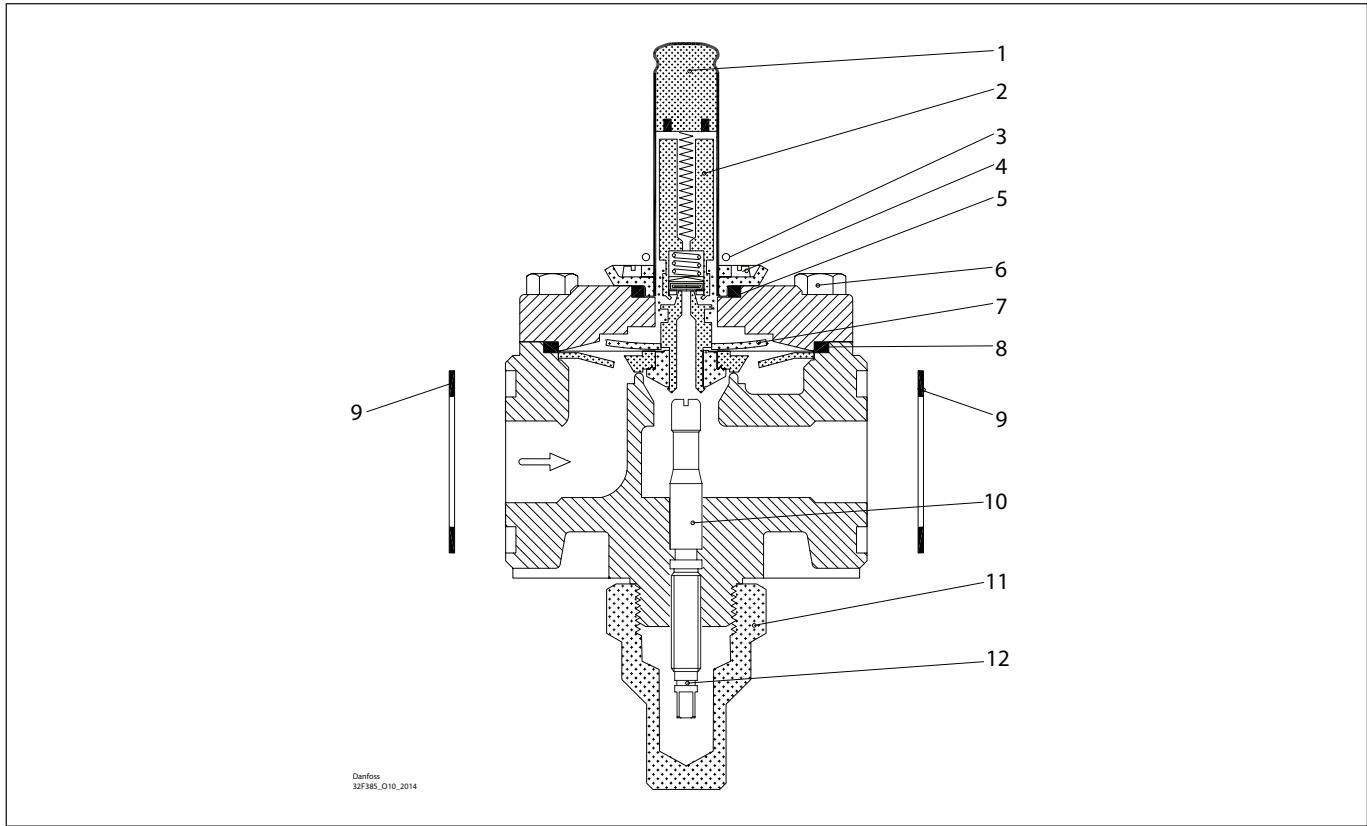


<p><b>1</b></p> <p>Total no. = 1</p>	<p><b>2</b></p> <p>Total no. = 1</p>	<p><b>3</b></p> <p>Total no. = 1</p>	<p><b>4</b></p> <p>Total no. = 4</p>	<p><b>5</b></p> <p>Total no. = 1</p>	<p><b>6</b></p> <p>Total no. = 4</p>
<p><b>7</b></p> <p>Total no. = 1</p>	<p><b>8</b></p> <p>Total no. = 1</p>	<p><b>9</b></p> <p>Total no. = 2</p>	<p><b>10</b></p> <p>Total no. = 1</p>	<p><b>11</b></p> <p>Total no. = 1</p>	<p><b>12</b></p> <p>Total no. = 1</p>

Data sheet – Spare parts and accessories

Overhaul kit | Code number 032F2323

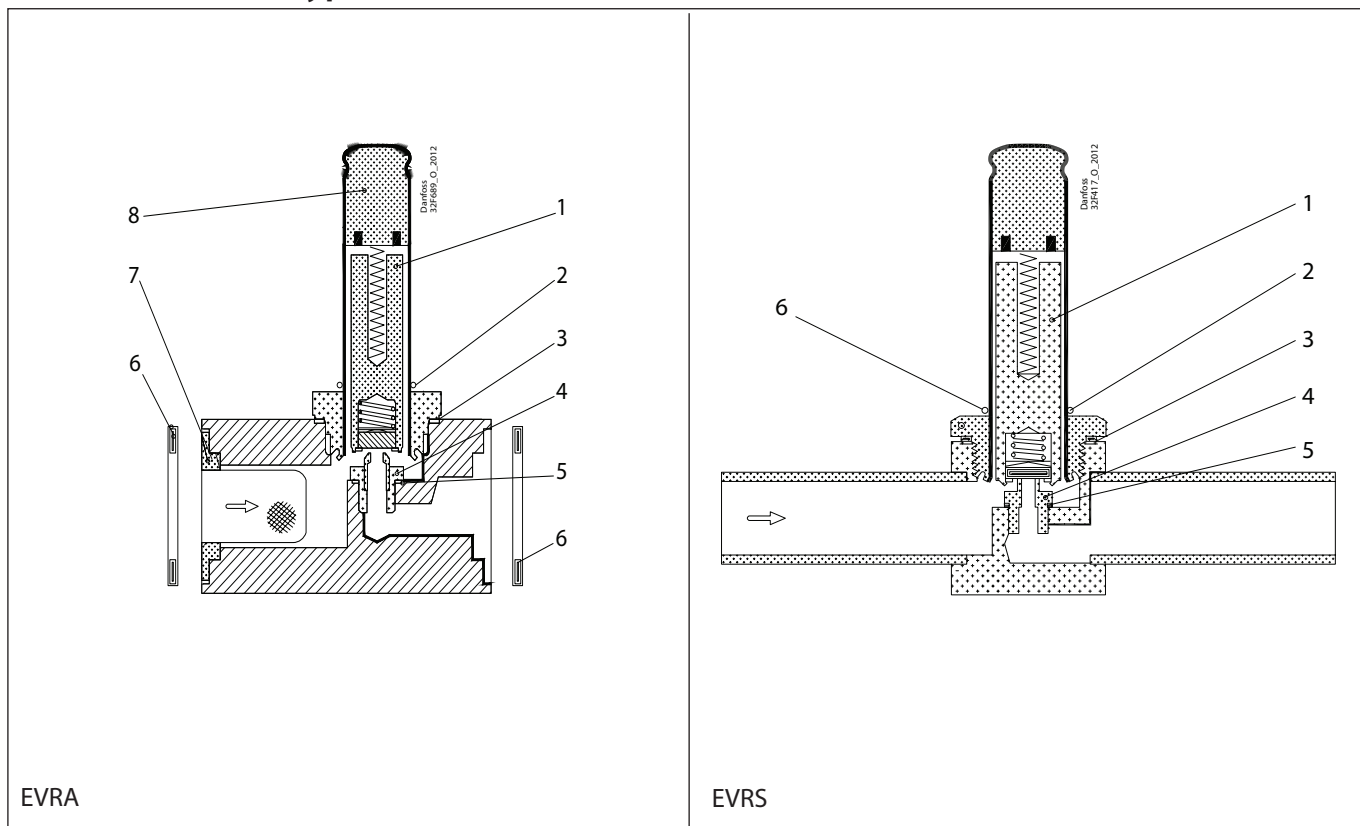
Solenoid valve, type EVRAT, size 20 (previous design)



<p><b>1</b></p> <p>Total no. = 1</p>	<p><b>2</b></p> <p>Total no. = 1</p>	<p><b>3</b></p> <p>Total no. = 1</p>	<p><b>4</b></p> <p>Total no. = 4</p>	<p><b>5</b></p> <p>Total no. = 1</p>	<p><b>6</b></p> <p>Total no. = 4</p>
<p><b>7</b></p> <p>Total no. = 1</p>	<p><b>8</b></p> <p>Total no. = 1</p>	<p><b>9</b></p> <p>Total no. = 2</p>	<p><b>10</b></p> <p>Total no. = 1</p>	<p><b>11</b></p> <p>Total no. = 1</p>	<p><b>12</b></p> <p>Total no. = 1</p>

Data sheet – Spare parts and accessories

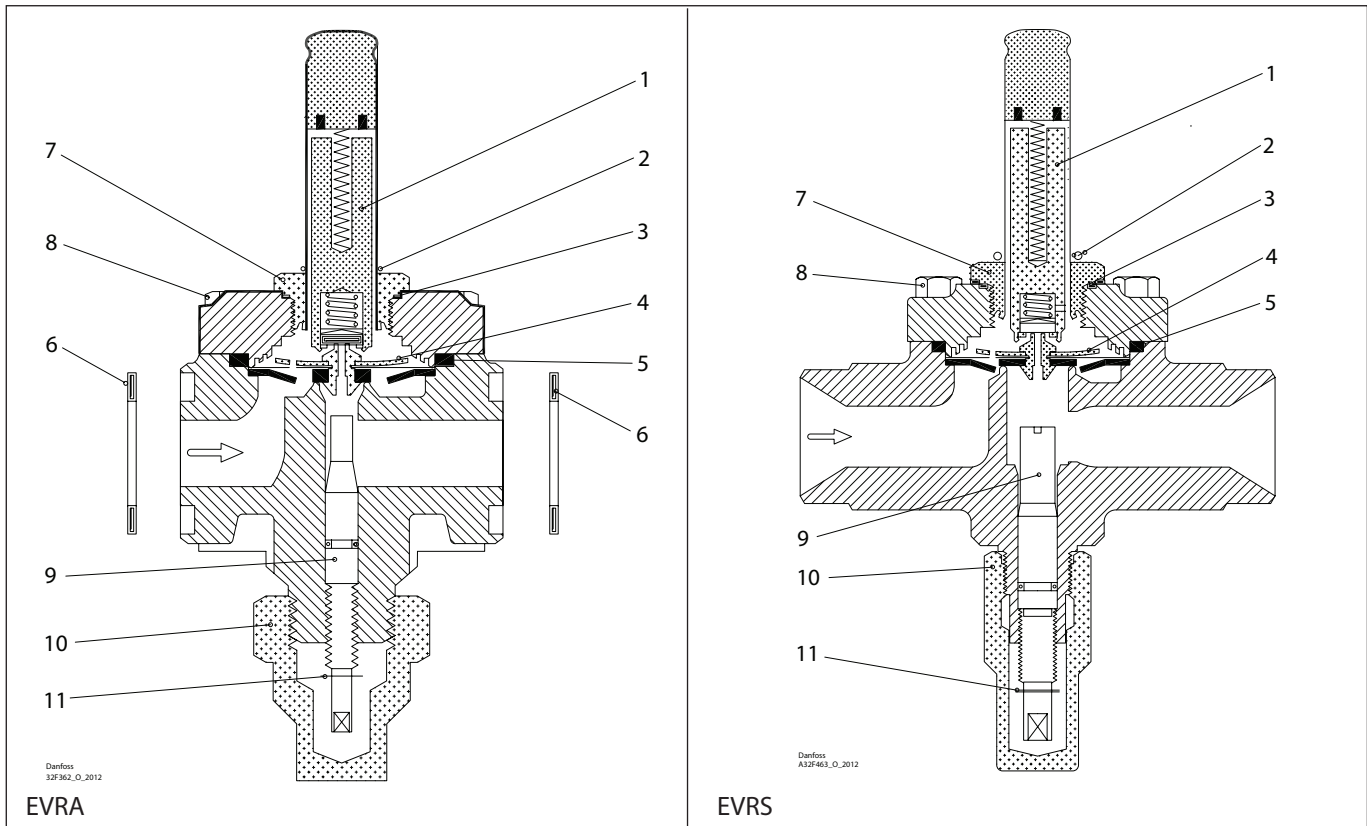
Overhaul kit | Code number 032F2336  
Solenoid valves, types EVRA and EVRS, size 3



<p><b>1</b> For AC / DC</p> <p>Total no. = 1</p>	<p><b>2</b></p> <p>Total no. = 1</p>	<p><b>3</b></p> <p>— = Alu.</p> <p>Total no. = 1</p>	<p><b>4</b></p> <p>Total no. = 1</p>	<p><b>5</b></p> <p>— = Alu.</p> <p>Total no. = 1</p>	<p><b>6</b></p> <p>— = Fibre</p> <p>Total no. = 2</p>
<p><b>7</b></p> <p>Total no. = 1</p>	<p><b>8</b></p> <p>Total no. = 1</p>				

Data sheet – Spare parts and accessories

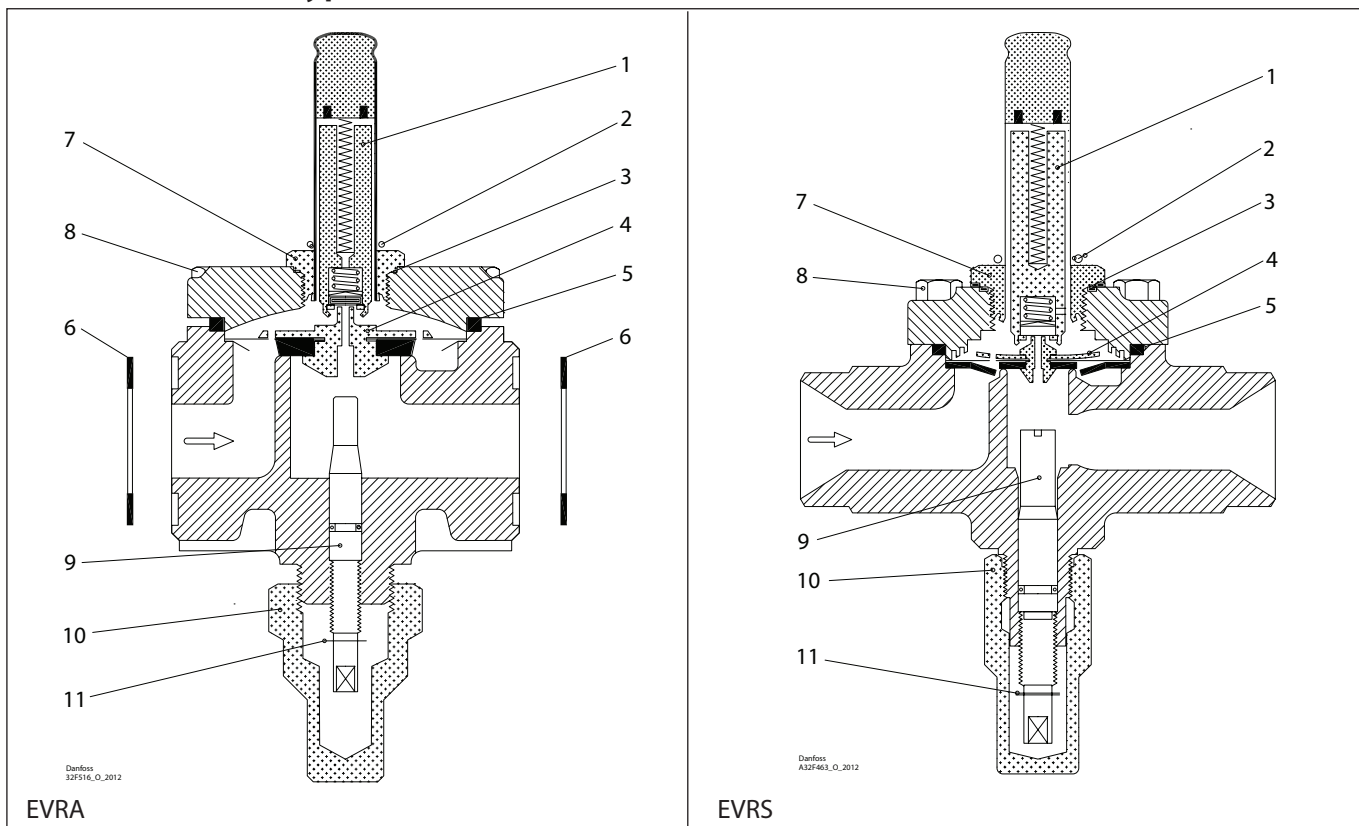
**Overhaul kit | Code number 032F2337**  
**Solenoid valves, types EVRA and EVRS, size 10**



<p><b>1</b> For AC / DC</p> <p>Total no. = 1</p>	<p><b>2</b></p> <p>Total no. = 1</p>	<p><b>3</b> = Alu.</p> <p>Total no. = 1</p>	<p><b>4</b></p> <p>Total no. = 1</p>	<p><b>5</b> = Rubber</p> <p>Total no. = 1</p>	<p><b>6</b> = Fibre</p> <p>Total no. = 2</p>
<p><b>7</b></p> <p>Total no. = 1</p>	<p><b>8</b></p> <p>Total no. = 4</p>	<p><b>9</b></p> <p>Total no. = 1</p>	<p><b>10</b></p> <p>Total no. = 1</p>	<p><b>11</b></p> <p>Total no. = 1</p>	

Data sheet – Spare parts and accessories

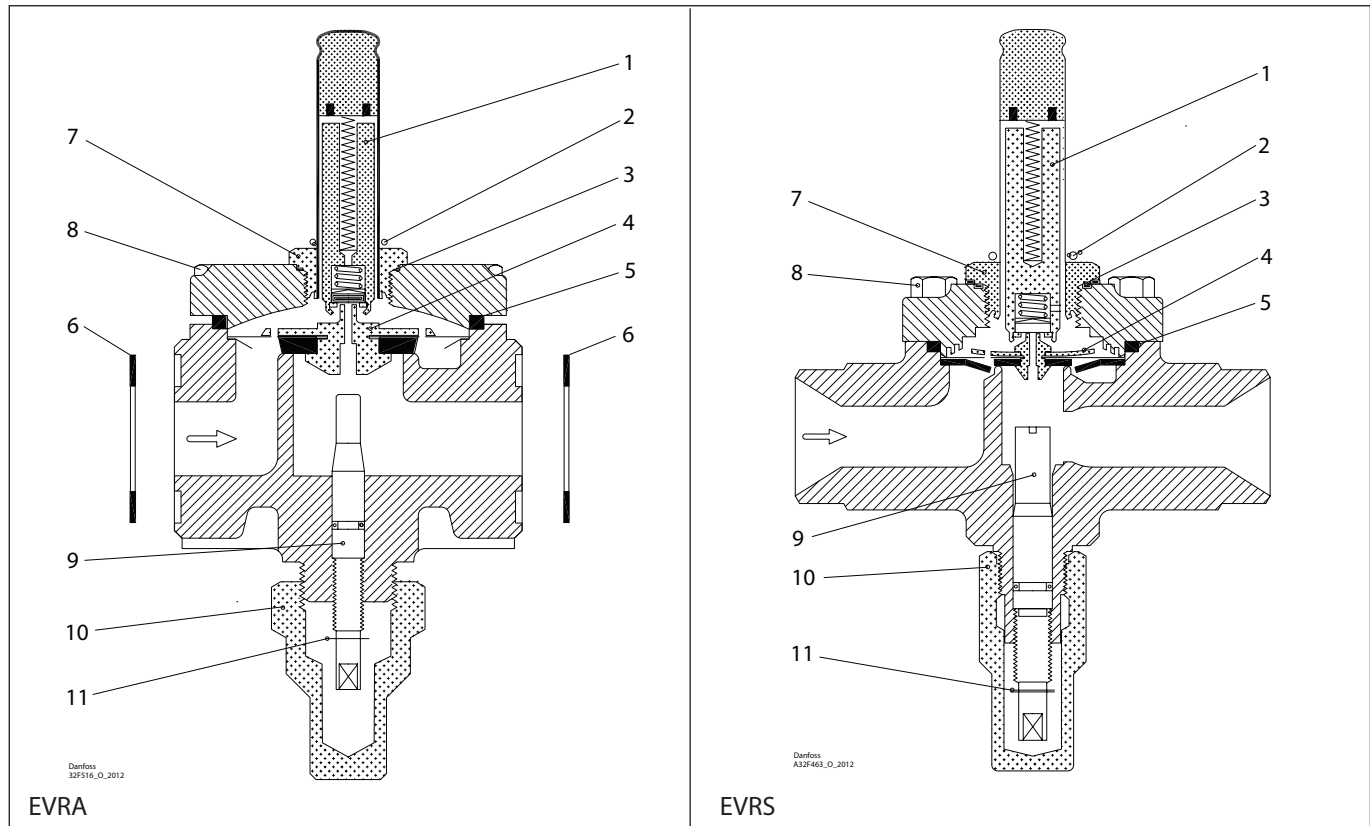
**Overhaul kit | Code number 032F2338**  
**Solenoid valves, types EVRA and EVRS, size 15**



<p><b>1</b> For AC / DC</p> <p>Total no. = 1</p>	<p><b>2</b></p> <p>Ø14 mm Ø0.56"</p> <p>Total no. = 1</p>	<p><b>3</b></p> <p>Ø27 mm Ø1.04"</p> <p>Total no. = 1</p>	<p><b>4</b></p> <p>Ø31 mm Ø1.22"</p> <p>Total no. = 1</p>	<p><b>5</b></p> <p>Ø49 mm Ø1.92"</p> <p>Total no. = 1</p>	<p><b>6</b></p> <p>Ø32 mm Ø1.26"</p> <p>Total no. = 2</p>
<p><b>7</b></p> <p>51 mm 2.01"</p> <p>Total no. = 1</p>	<p><b>8</b></p> <p>20 mm 0.79"</p> <p>Total no. = 4</p>	<p><b>9</b></p> <p>73 mm 2.87"</p> <p>Total no. = 1</p>	<p><b>10</b></p> <p>NV32 mm NV1.26"</p> <p>Total no. = 1</p>	<p><b>11</b></p> <p>Ø5 mm Ø0.2"</p> <p>Total no. = 1</p>	

Data sheet – Spare parts and accessories

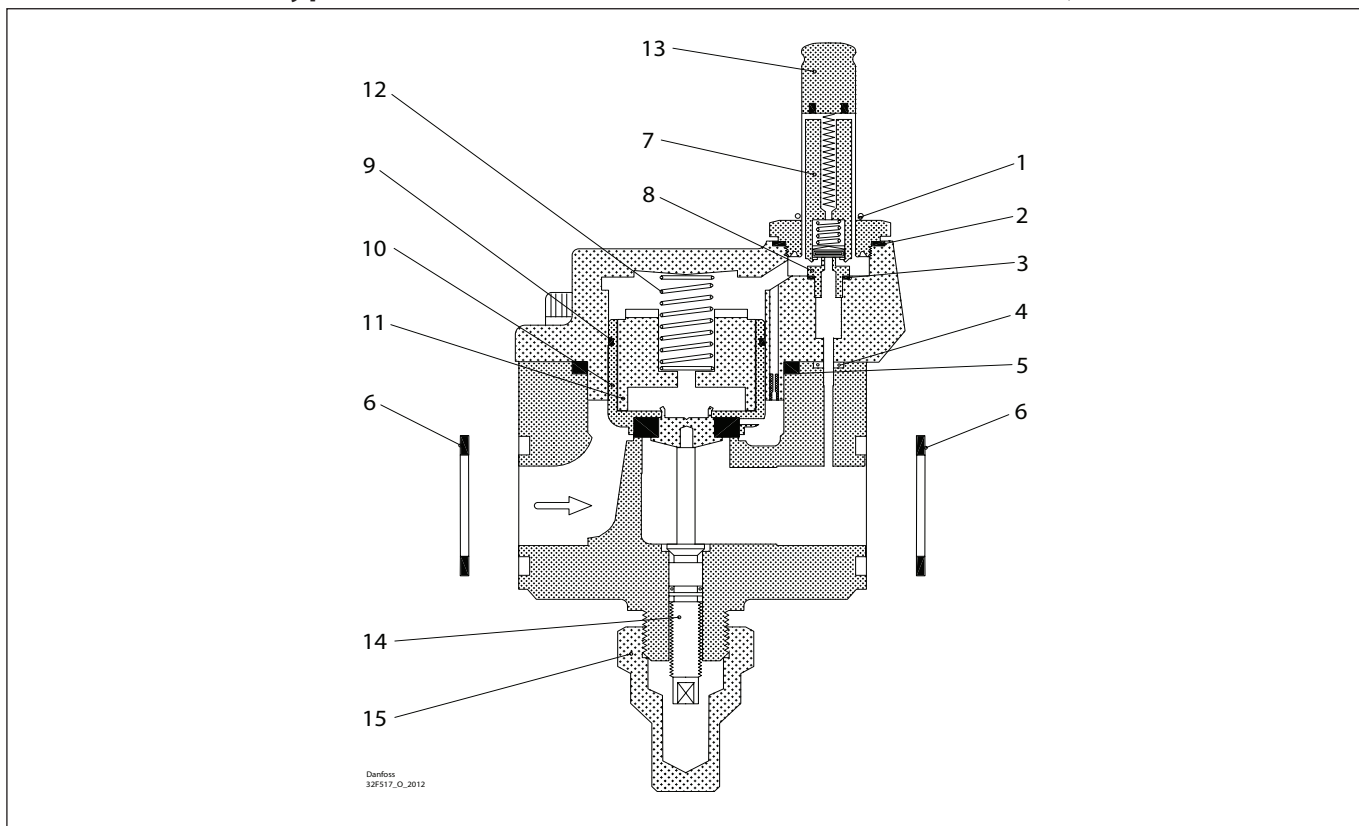
**Overhaul kit | Code number 032F2339**  
**Solenoid valves, types EVRA and EVRS, size 20**



<p><b>1</b> For AC / DC</p> <p>Total no. = 1</p>	<p><b>2</b></p> <p>Total no. = 1</p>	<p><b>3</b></p> <p>Total no. = 1</p>	<p><b>4</b></p> <p>Total no. = 1</p>	<p><b>5</b></p> <p>Total no. = 1</p>	<p><b>6</b></p> <p>Total no. = 2</p>
<p><b>7</b></p> <p>Total no. = 1</p>	<p><b>8</b></p> <p>Total no. = 4</p>	<p><b>9</b></p> <p>Total no. = 1</p>	<p><b>10</b></p> <p>Total no. = 1</p>	<p><b>11</b></p> <p>Total no. = 1</p>	

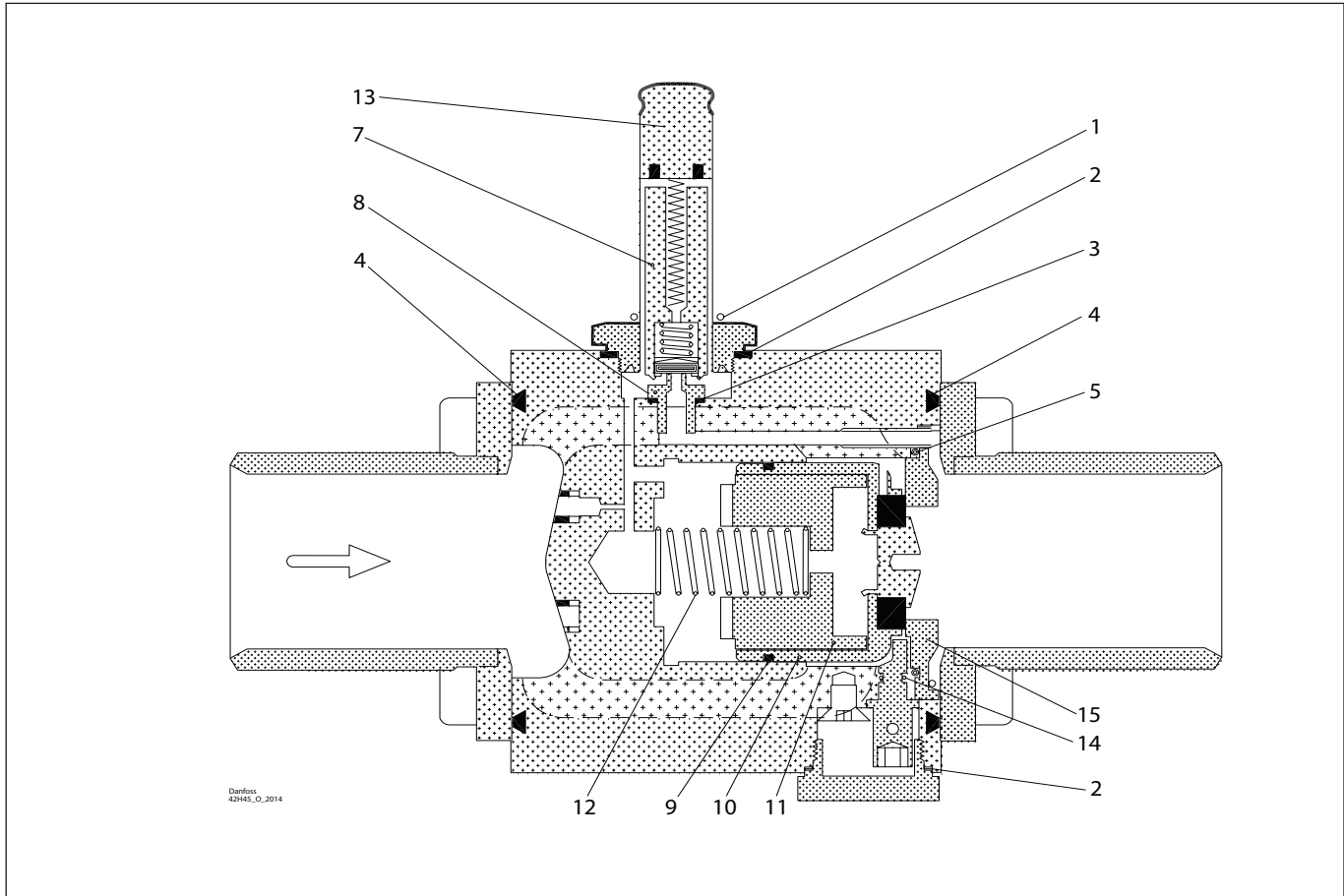
Data sheet – Spare parts and accessories

**Overhaul kit | Code number 032F2340**  
**Solenoid valve, type EVRA, size 25**



<p><b>1</b></p> <p>Total no. = 1</p>	<p><b>2</b></p> <p>Total no. = 1</p>	<p><b>3</b></p> <p>Total no. = 1</p>	<p><b>4</b></p> <p>Total no. = 1</p>	<p><b>5</b></p> <p>Total no. = 1</p>
<p><b>6</b></p> <p>Total no. = 2</p>	<p><b>7</b></p> <p>Total no. = 1</p>	<p><b>8</b></p> <p>Total no. = 1</p>	<p><b>9</b></p> <p>Total no. = 1</p>	<p><b>10</b></p> <p>Total no. = 1</p>
<p><b>11</b></p> <p>Total no. = 1</p>	<p><b>12</b></p> <p>Total no. = 1</p>	<p><b>13</b></p> <p>Total no. = 1</p>	<p><b>14</b></p> <p>Total no. = 1</p>	<p><b>15</b></p> <p>Total no. = 1</p>

Data sheet – Spare parts and accessories  
**Overhaul kit | Code number 032F2341**  
**EVRA, size 32**

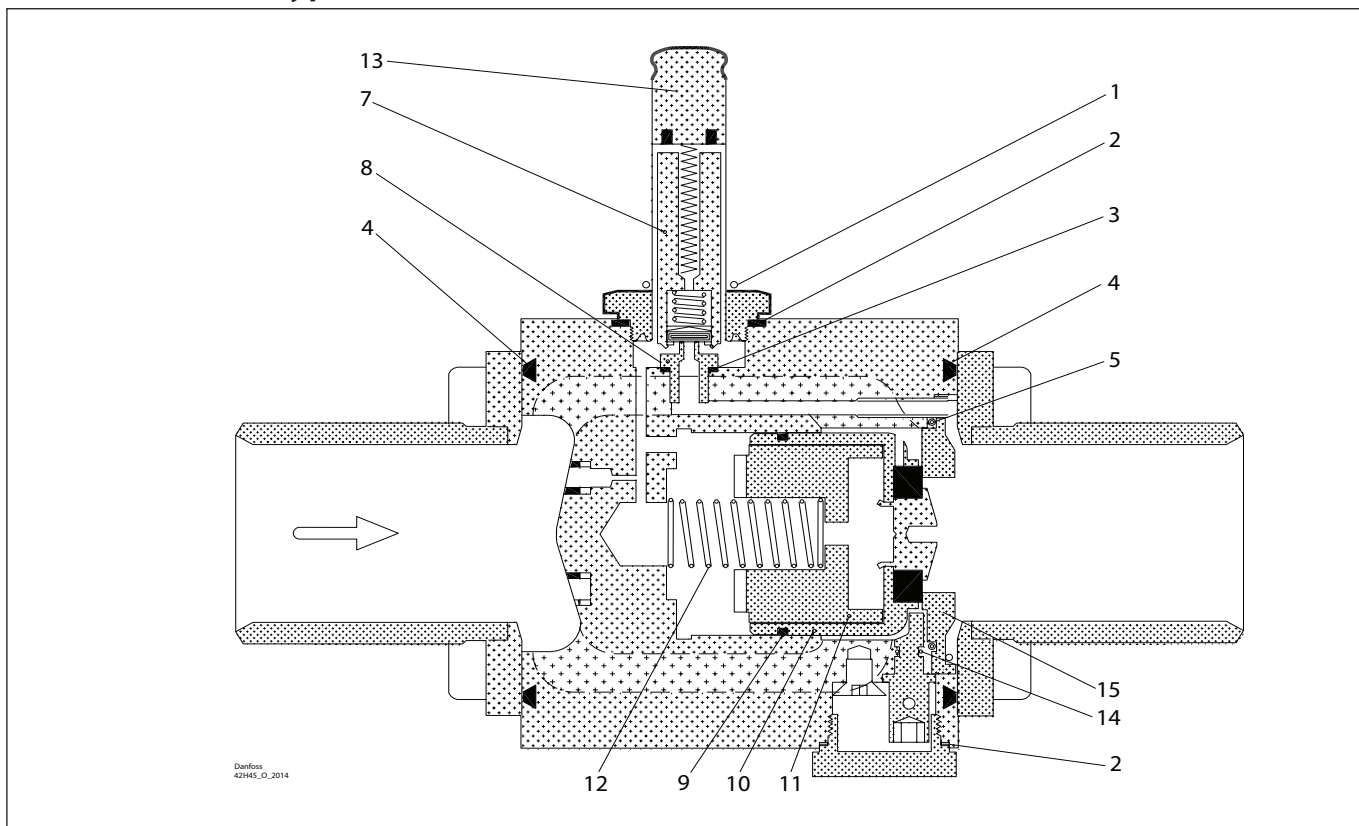


<p><b>1</b></p> <p>Ø14 mm Ø0.56"</p> <p>Total no. = 1</p>	<p><b>2</b></p> <p>Alu.</p> <p>Ø27 mm Ø1.04"</p> <p>Total no. = 2</p>	<p><b>3</b></p> <p>Alu.</p> <p>Ø10 mm Ø0.40"</p> <p>Total no. = 1</p>	<p><b>4</b></p> <p>Ø66 mm Ø2.61"</p> <p>Total no. = 2</p>	<p><b>5</b></p> <p>Ø42 mm Ø1.66"</p> <p>Total no. = 1</p>
<p><b>7</b></p> <p>42.5 mm 1.67"</p> <p>Total no. = 1</p>	<p><b>8</b></p> <p>Ø33.3 mm Ø1.3"</p> <p>Total no. = 1</p>	<p><b>9</b></p> <p>Steel</p> <p>Ø44 mm Ø1.73"</p> <p>Total no. = 1</p>	<p><b>10</b></p> <p>Ø38 mm Ø1.48"</p> <p>Total no. = 1</p>	<p><b>11</b></p> <p>Ø38 mm Ø1.48"</p> <p>Total no. = 1</p>
<p><b>12</b></p> <p>Ø17 mm Ø0.67"</p> <p>Total no. = 1</p>	<p><b>13</b></p> <p>51 mm 2.01"</p> <p>Total no. = 1</p>	<p><b>14</b></p> <p>Ø4 mm Ø0.2"</p> <p>Total no. = 1</p>	<p><b>15</b></p> <p>Ø4 mm Ø0.2"</p> <p>Total no. = 1</p>	



Data sheet – Spare parts and accessories

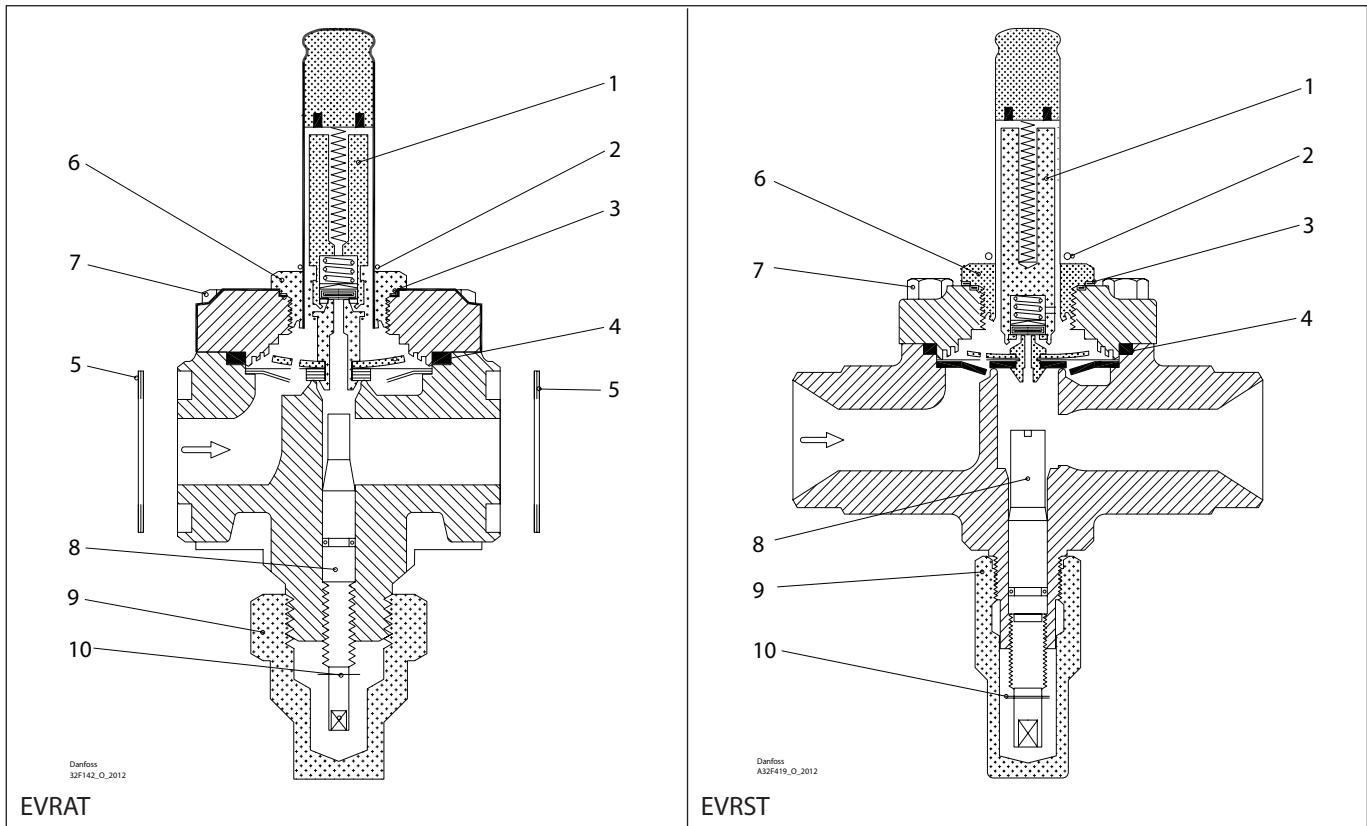
Overhaul kit | Code number 032F2342  
Solenoid valve, type EVRA, size 40



<p><b>1</b></p> <p>Total no. = 1</p>	<p><b>2</b></p> <p>Alu.</p> <p>Total no. = 2</p>	<p><b>3</b></p> <p>Alu.</p> <p>Total no. = 1</p>	<p><b>4</b></p> <p>Total no. = 2</p>	<p><b>5</b></p> <p>Total no. = 1</p>
<p><b>7</b></p> <p>Total no. = 1</p>	<p><b>8</b></p> <p>Total no. = 1</p>	<p><b>9</b></p> <p>Steel</p> <p>Total no. = 1</p>	<p><b>10</b></p> <p>Total no. = 1</p>	<p><b>11</b></p> <p>Total no. = 1</p>
<p><b>12</b></p> <p>Total no. = 1</p>	<p><b>13</b></p> <p>Total no. = 1</p>	<p><b>14</b></p> <p>Total no. = 1</p>	<p><b>15</b></p> <p>Total no. = 1</p>	

Data sheet – Spare parts and accessories

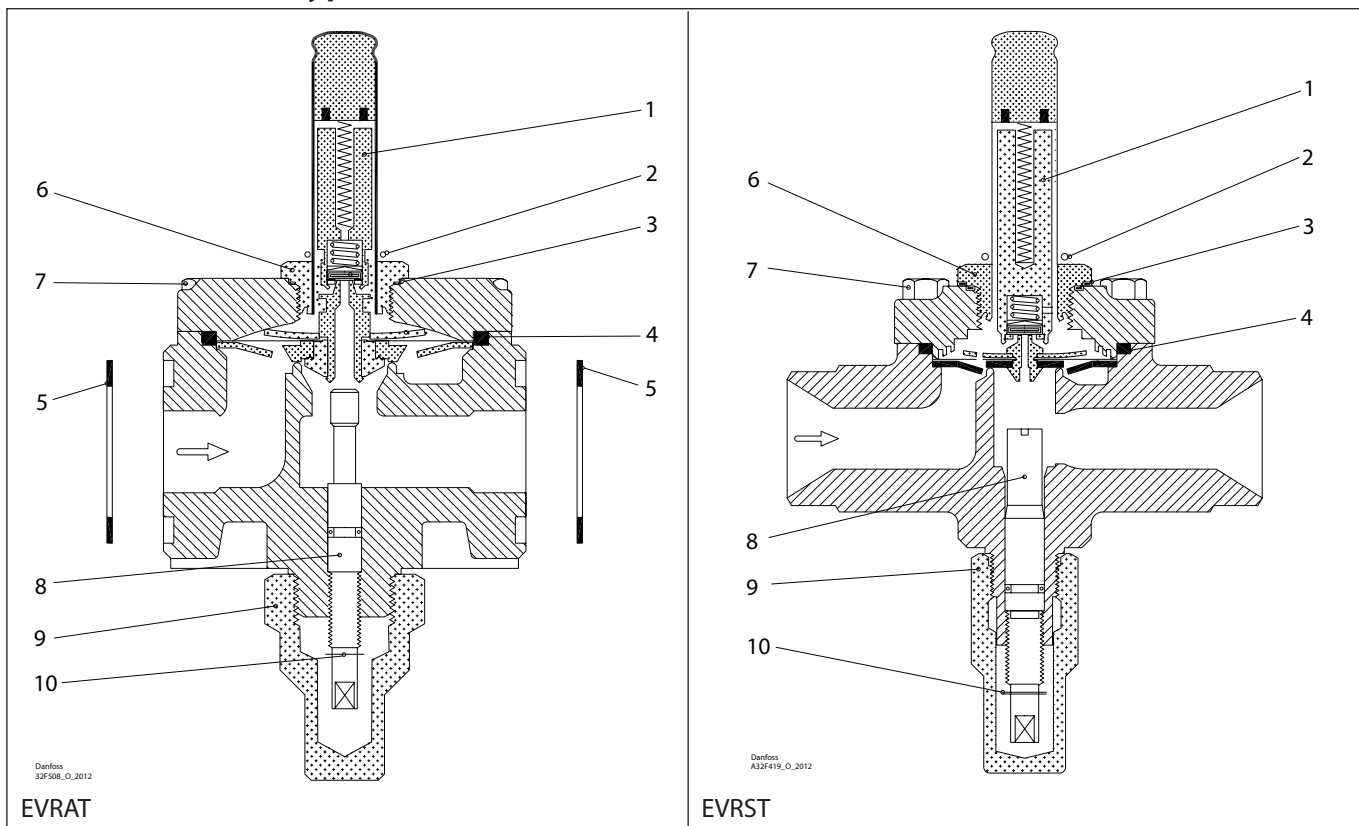
**Overhaul kit | Code number 032F2346**  
**Solenoid valves, types EVRAT and EVRST, size 10**



<p><b>1</b></p> <p>Total no. = 1</p>	<p><b>2</b></p> <p>Total no. = 1</p>	<p><b>3</b></p> <p>— = Alu.</p> <p>Total no. = 1</p>	<p><b>4</b></p> <p>▨ = Rubber</p> <p>Total no. = 1</p>	<p><b>5</b></p> <p>▨ = Fibre</p> <p>Total no. = 2</p>	<p><b>6</b></p> <p>Total no. = 1</p>
<p><b>7</b></p> <p>Total no. = 4</p>	<p><b>8</b></p> <p>Total no. = 1</p>	<p><b>9</b></p> <p>Total no. = 1</p>	<p><b>10</b></p> <p>Total no. = 1</p>		

Data sheet – Spare parts and accessories

**Overhaul kit | Code number 032F2347**  
**Solenoid valves, types EVRAT and EVRST, size 15**

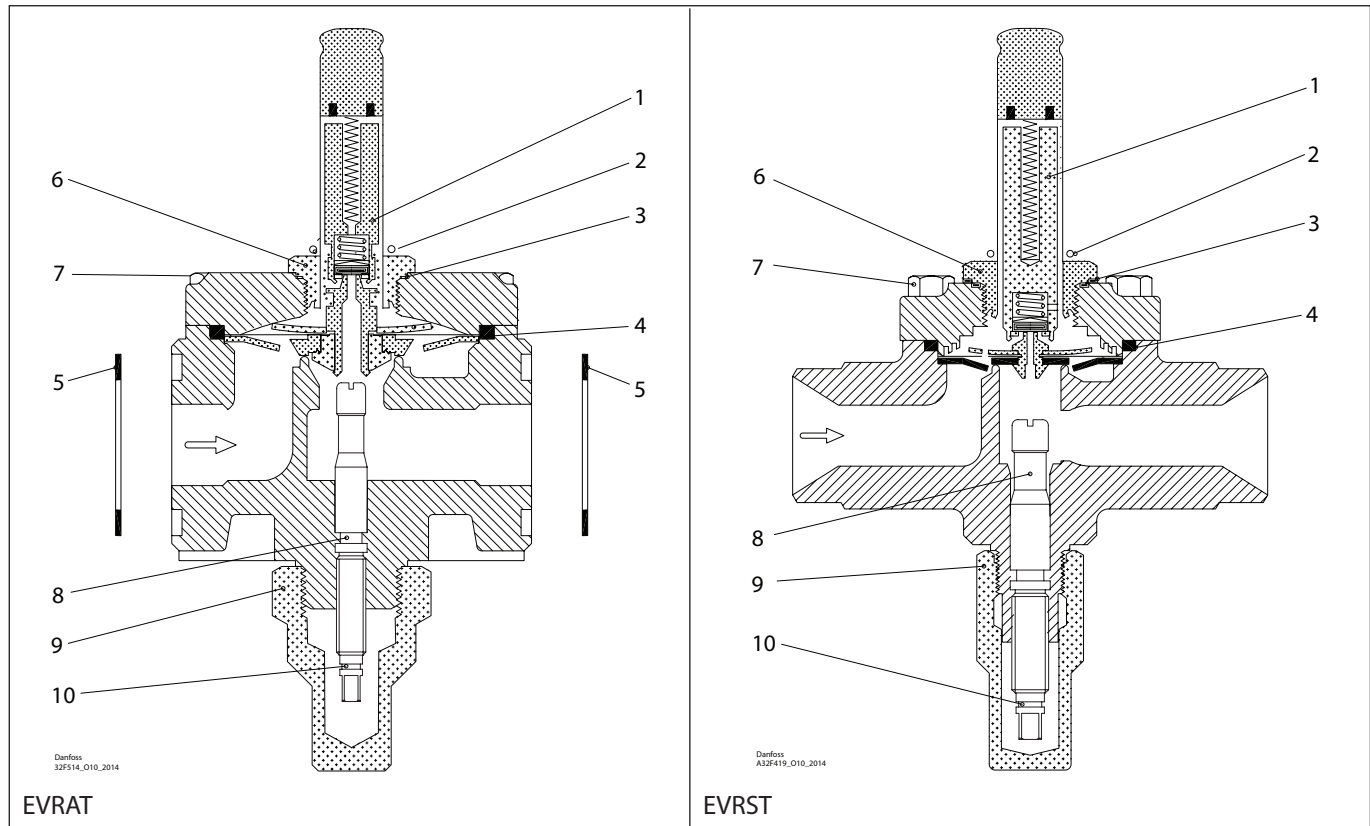


<p><b>1</b></p> <p>Ø31mm Ø1.22"</p> <p>Total no. = 1</p>	<p><b>2</b></p> <p>Ø14 mm Ø0.56"</p> <p>Total no. = 1</p>	<p><b>3</b></p> <p>Ø27 mm Ø1.04"</p> <p>Total no. = 1</p>	<p><b>4</b></p> <p>Ø49 mm Ø1.92"</p> <p>Total no. = 1</p>	<p><b>5</b></p> <p>Ø32 mm Ø1.26"</p> <p>Total no. = 2</p>	<p><b>6</b></p> <p>51 mm 2.01"</p> <p>Total no. = 1</p>
<p><b>7</b></p> <p>20 mm 0.79"</p> <p>Total no. = 4</p>	<p><b>8</b></p> <p>73mm 2.87"</p> <p>Total no. = 1</p>	<p><b>9</b></p> <p>NV 32 mm NV 1.26"</p> <p>Total no. = 1</p>	<p><b>10</b></p> <p>Ø5 mm Ø0.2"</p> <p>Total no. = 1</p>		

Data sheet – Spare parts and accessories

Overhaul kit | Code number 032F2348

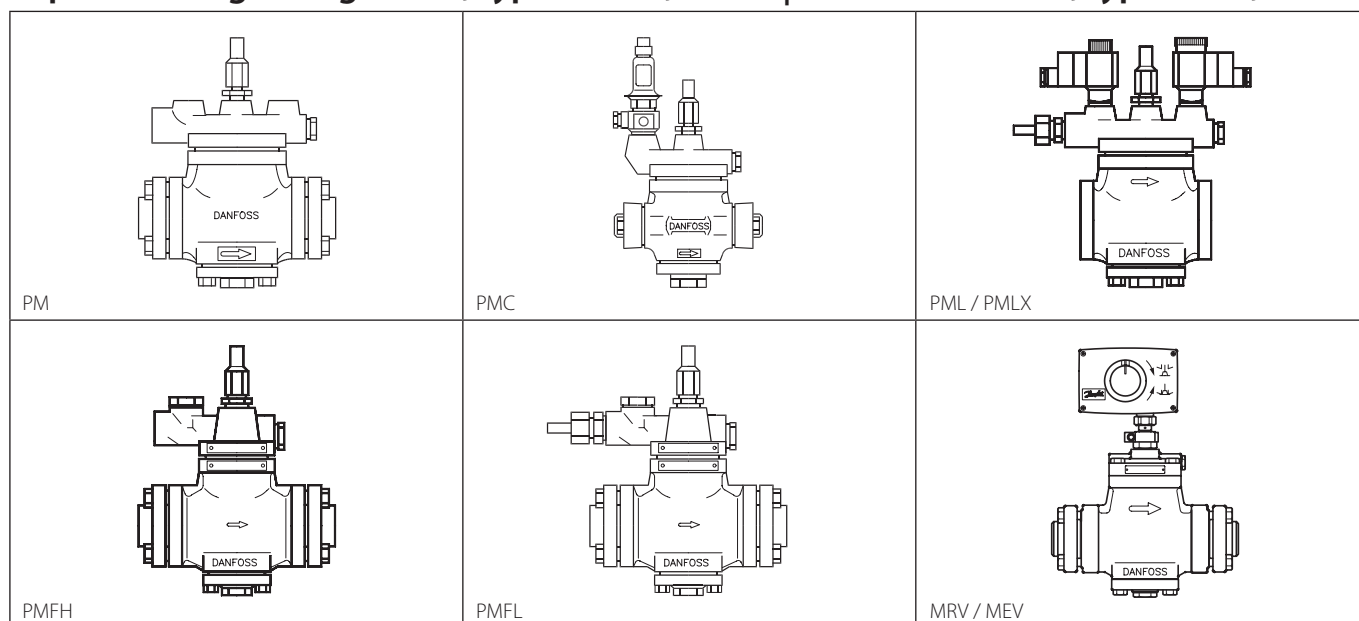
Solenoid valves, types EVRAT and EVRST, size 20



<p><b>1</b></p> <p>Ø31mm Ø1.22"</p> <p>Total no. = 1</p>	<p><b>2</b></p> <p>Ø14 mm Ø0.56"</p> <p>Total no. = 1</p>	<p><b>3</b></p> <p>Ø27 mm Ø1.04"</p> <p>Total no. = 1</p>	<p><b>4</b></p> <p>Ø64 mm Ø2.52"</p> <p>Total no. = 1</p>	<p><b>5</b></p> <p>Ø39 mm Ø1.54"</p> <p>Total no. = 2</p>	<p><b>6</b></p> <p>51 mm 2.01"</p> <p>Total no. = 1</p>
<p><b>7</b></p> <p>25 mm 0.98"</p> <p>Total no. = 4</p>	<p><b>8</b></p> <p>70.5 mm 2.78"</p> <p>Total no. = 1</p>	<p><b>9</b></p> <p>NV 32 mm NV 1.26"</p> <p>Total no. = 1</p>	<p><b>10</b></p> <p>Ø5 mm Ø0.2"</p> <p>Total no. = 1</p>		

## Data sheet – Spare parts and accessories

### Pilot operated servo valves, types PM, PMC | Solenoid valves, types PML, PMLX Liquid level regulating valves, types PMFH, PMFL | Motorised valves, types MRV, MEV



Valve type	Size	See details on page #	Code no.
<b>Inspection kits</b>			
PM1 PM3 PMC1 PMC3 PML PMLX MRV	5	165 + 166	027F3075
	10	165 + 166	027F3075
	15	165 + 166	027F3075
	20	165 + 166	027F3075
	25	165 + 166	027F3075
	32	167 + 168	027F3076
	40	169 + 170	027F3077
	50	171 + 172	027F3078
	65	173 + 174	027F3079
	80	175	027F3091
100	176	027F3092	
125	177	027F3093	
PMFL PMFH MEV	80-1	165 + 166	027F3075
	80-2	165 + 166	027F3075
	80-3	165 + 166	027F3075
	80-4	165 + 166	027F3075
	80-5	165 + 166	027F3075
	80-6	165 + 166	027F3075
	80-7	165 + 166	027F3075
	125	167 + 168	027F3076
	200	169 + 170	027F3077
	300	171 + 172	027F3078
500	173 + 174	027F3079	

Valve type	Size	See details on page #	Code no.
<b>Repair kits</b>			
PM1 PM3 PML PMLX MRV	5	178 + 179	027F3150
	10	178 + 179	027F3150
	15	178 + 179	027F3150
	20	178 + 179	027F3150
	25	178 + 179	027F3150
	32	180 + 181	027F3152
	40	182 + 183	027F3153
	50	184 + 185	027F3154
	65	186 + 187	027F3155
	80	188 + 189	027F3156
	100	190 + 191	027F3157
	125	192 + 193	027F3158
PMFL PMFH MEV	80-1	178 + 179	027F3150
	80-2	178 + 179	027F3150
	80-3	178 + 179	027F3150
	80-4	178 + 179	027F3150
	80-5	178 + 179	027F3150
	80-6	178 + 179	027F3150
	80-7	178 + 179	027F3150
	125	180 + 181	027F3152
	200	182 + 183	027F3153
	300	184 + 185	027F3154
500	186 + 187	027F3155	
PMC	20-5	194	027F0555
	20-8	194	027F0555
	20-12	194	027F0555
	20-20	194	027F0555

#### Inspection kits:

Contains all gaskets, O-rings and aluminium rings belonging to 1 valve size.  
For detailed content, see specific pages mentioned above.

#### Repair kits:

Contains all gaskets, O-rings and aluminium rings belonging to 1 valve size - also including valve seat and piston ring.  
For detailed content, see specific pages mentioned above.

#### Overhaul kits:

Contains all gaskets, O-rings and aluminium rings belonging to 1 valve size and parts what could be damaged or worn out.  
For detailed content, see specific pages mentioned above.

Data sheet – Spare parts and accessories

**Pilot operated servo valves, types PM, PMC | Solenoid valves, types PML, PMLX**  
**Liquid level regulating valves, types PMFH, PMFL | Motorised valves, types MRV, MEV**

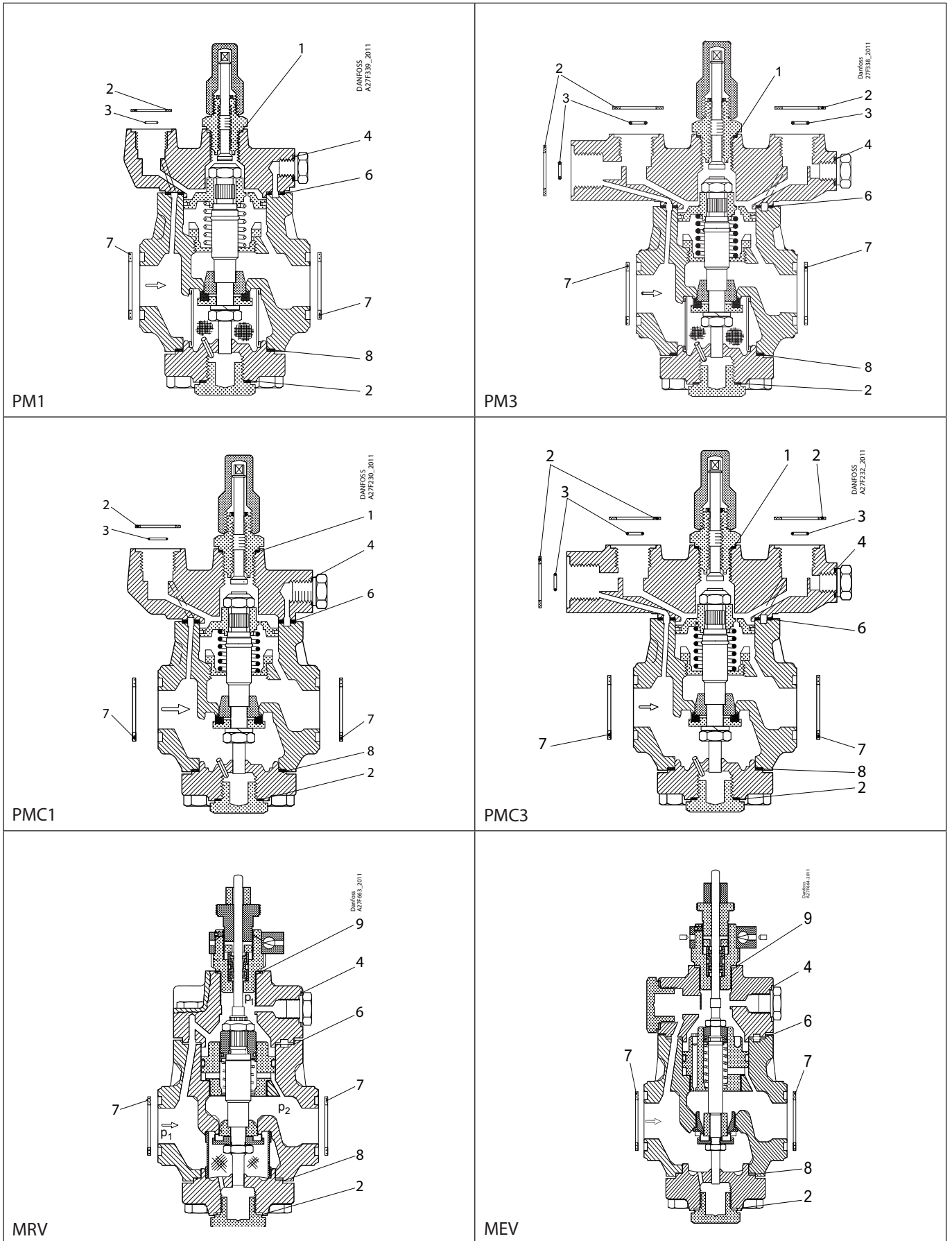
Valve type	Size	See details on page #	Code no.
<b>Overhaul kits</b>			
PM 1-3 Standard	20	195	027F3370
	25	196	027F3371
	32	197	027F3373
	40	198	027F3374
	50	199	027F3375
	65	200	027F3376
	80	201	027F3377
	100	202	027F3378
PM 1-3 V-cone	125	203	027F3379
	5	204	027F3380
	10	205	027F3381
	15	206	027F3382
	32	207	027F3383
	40	208	027F3384
	50	209	027F3385
	65	210	027F3386
PML	80	211	027F3387
	100	212	027F3388
	125	213	027F3389
	32	214	027F0556
	40	215	027F0557
	50	216	027F0558
PMLX	65	217	027F0559
	80	218	027F0560
	100	219	027F0561
	125	220	027F0562
	32	221	027F0563
MRV	40	222	027F0568
	50	223	027F0569
	65	224	027F0570
	80	225	027F0571
	100	226	027F0572
MRV	125	227	027F0573
	5	228	027F0577
	10	229	027F0578
	15	230	027F0579
	20	231	027F0580
	25	232	027F0581
	32	233	027F0582
	40	234	027F0583
50	235	027F0584	
65	236	027F0592	

Valve type	Size	See details on page #	Code no.
<b>Overhaul kits</b>			
PMFL	80-1	237	027F0611
	80-2	238	027F0631
	80-3	239	027F0632
	80-4	240	027F0633
	80-5	241	027F0634
	80-6	242	027F0635
	80-7	243	027F0636
	125	244	027F0637
	200	245	027F0638
	300	246	027F0639
PMFH	80-2	247	027F0663
	80-3	248	027F0669
	80-4	249	027F0676
	80-5	250	027F0677
	80-6	251	027F0678
	80-7	252	027F0700
	125	253	027F0704
	200	254	027F0705
	300	255	027F0709
	500	256	027F0710
MEV	80-2	257	027F0760
	80-4	258	027F0762
	80-5	259	027F0763
	80-6	260	027F0764
	80-7	261	027F0765
	125	262	027F0766
	200	263	027F0767
	300	264	027F0768
	500	265	027F0769
	20-5	266	027F0770
PMC	20-8	267	027F0754
	20-12	268	027F0755
	20-20	269	027F0756
	<b>Accessories - ICV PM flanged valve housings</b>		
ICV PM	25	270	027H2119
	32	270	027H3129
	40	270	027H4128
	50	270	027H5127
	65	270	027H6128

Data sheet – Spare parts and accessories

Inspection kit | Code number 027F3075

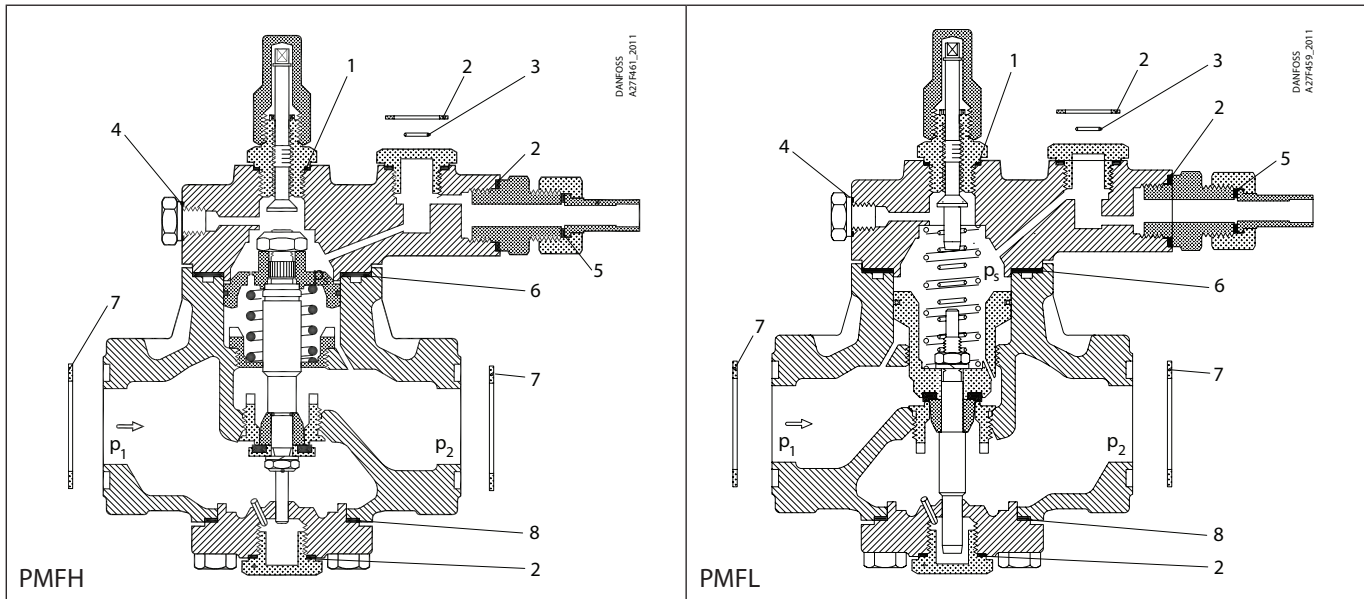
PM, PMC, MRV, sizes 5 to 25 | MEV, PMFH, PMFL, sizes 80-1 to 80-7



Data sheet – Spare parts and accessories

Inspection kit | Code number 027F3075

PM, PMC, MRV, sizes 5 to 25 | MEV, PMFH, PMFL, sizes 80-1 to 80-7



<p><b>1</b></p> <p> = Alu.</p> <p>Ø26 mm Ø1.02"</p> <p>Total no. = 1</p>	<p><b>2</b></p> <p> = Fibre</p> <p>Ø33 mm Ø1.28"</p> <p>Total no. = 4</p>	<p><b>3</b></p> <p> = Alu.</p> <p>Ø9 mm Ø0.36"</p> <p>Total no. = 3</p>	<p><b>4</b></p> <p> = Alu.</p> <p>Ø18 mm Ø0.70"</p> <p>Total no. = 1</p>
<p><b>5</b></p> <p> = Alu.</p> <p>Ø14 mm Ø0.55"</p> <p>Total no. = 1</p>	<p><b>6</b></p> <p> = Fibre</p> <p>Ø75 mm Ø2.95"</p> <p>Total no. = 1</p>	<p><b>7</b></p> <p> = Fibre</p> <p>Ø39 mm Ø1.54"</p> <p>Total no. = 2</p>	<p><b>8</b></p> <p> = Fibre</p> <p>Ø60 mm Ø2.36"</p> <p>Total no. = 1</p>
<p><b>9</b></p> <p> = Alu.</p> <p>Ø32 mm Ø1.26"</p> <p>Total no. = 1</p>	<p><b>10</b> *</p> <p> = Alu.</p> <p>Ø22 mm Ø0.87"</p> <p>Total no. = 1</p>		

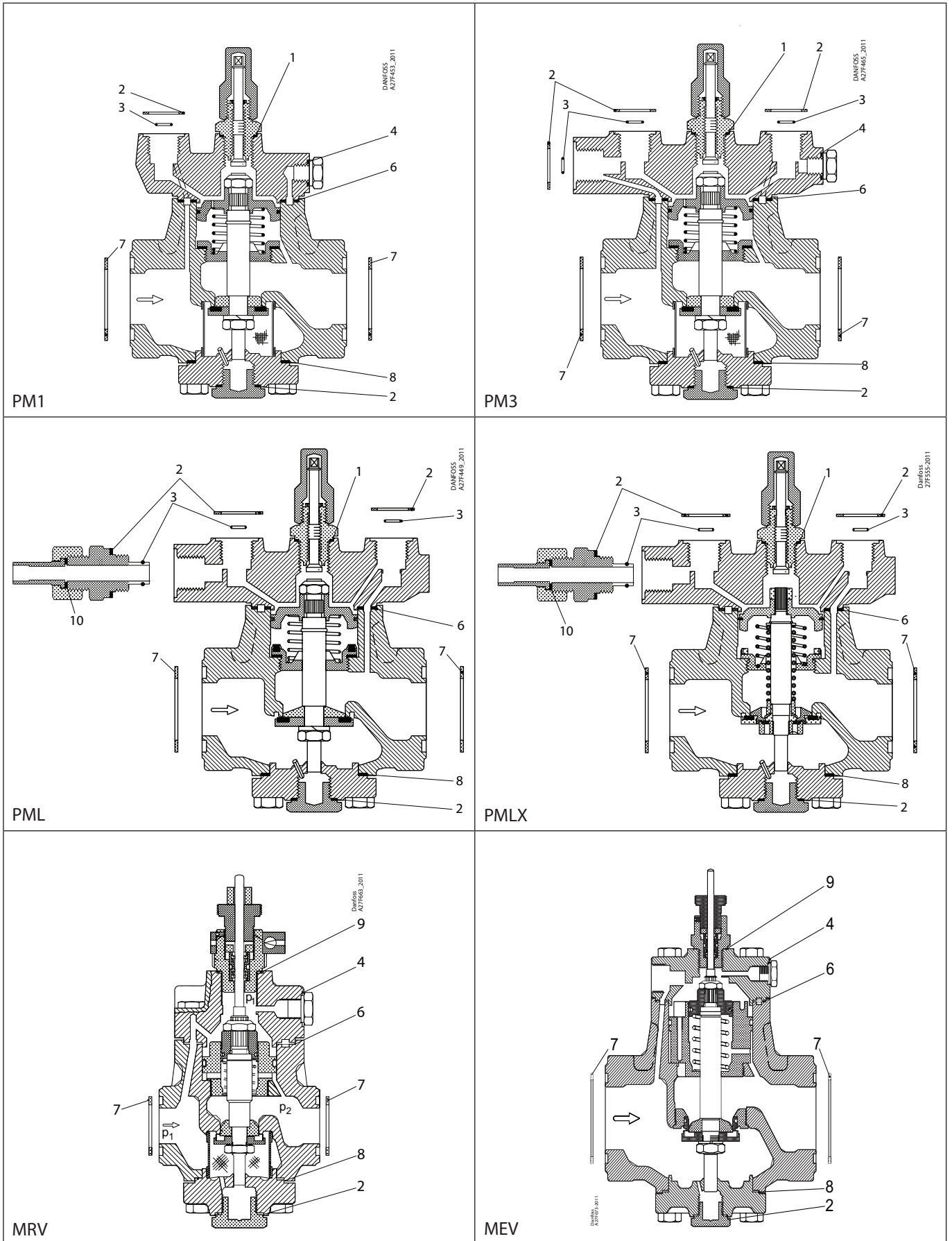
\* The spare part is included in the package but is not used for PM, PMC, MRV, sizes 5 to 25 or MEV, PMFH, PMFL, sizes 80-1 to 80-7



Data sheet – Spare parts and accessories

Inspection kit | Code number 027F3076

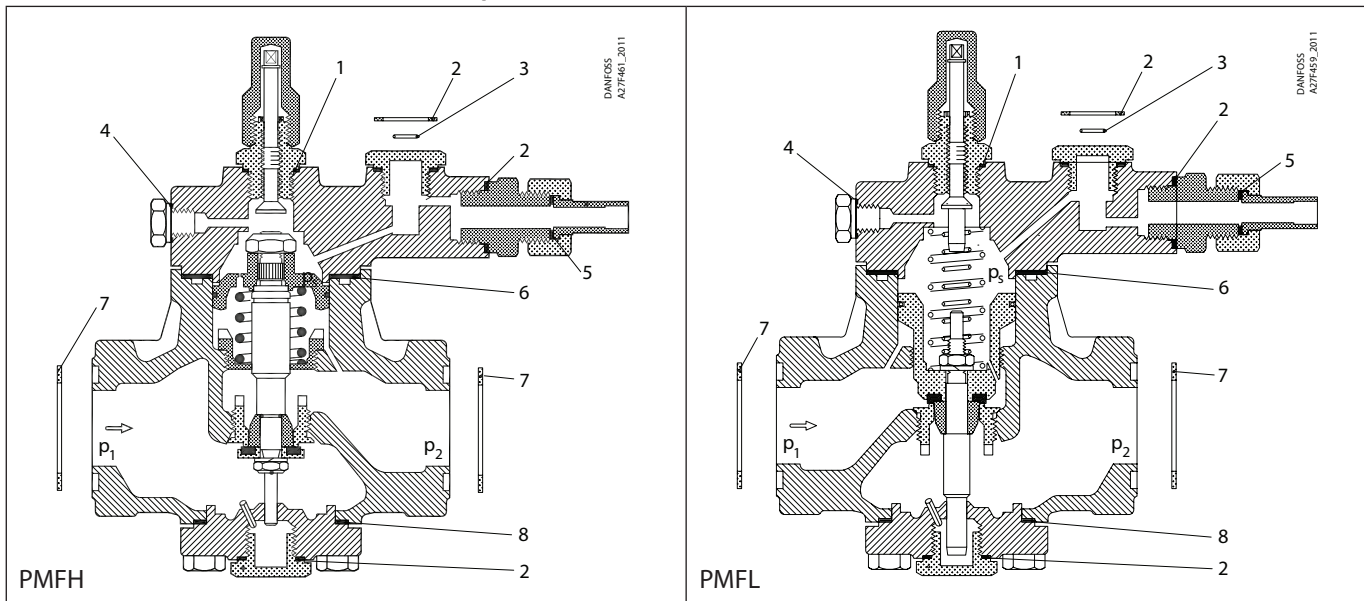
PM, PML, PMLX, MRV, size 32 | MEV, PMFH, PMFL, size 125



Data sheet – Spare parts and accessories

Inspection kit | Code number 027F3076

PM, PML, PMLX, MRV, size 32 | MEV, PMFH, PMFL, size 125

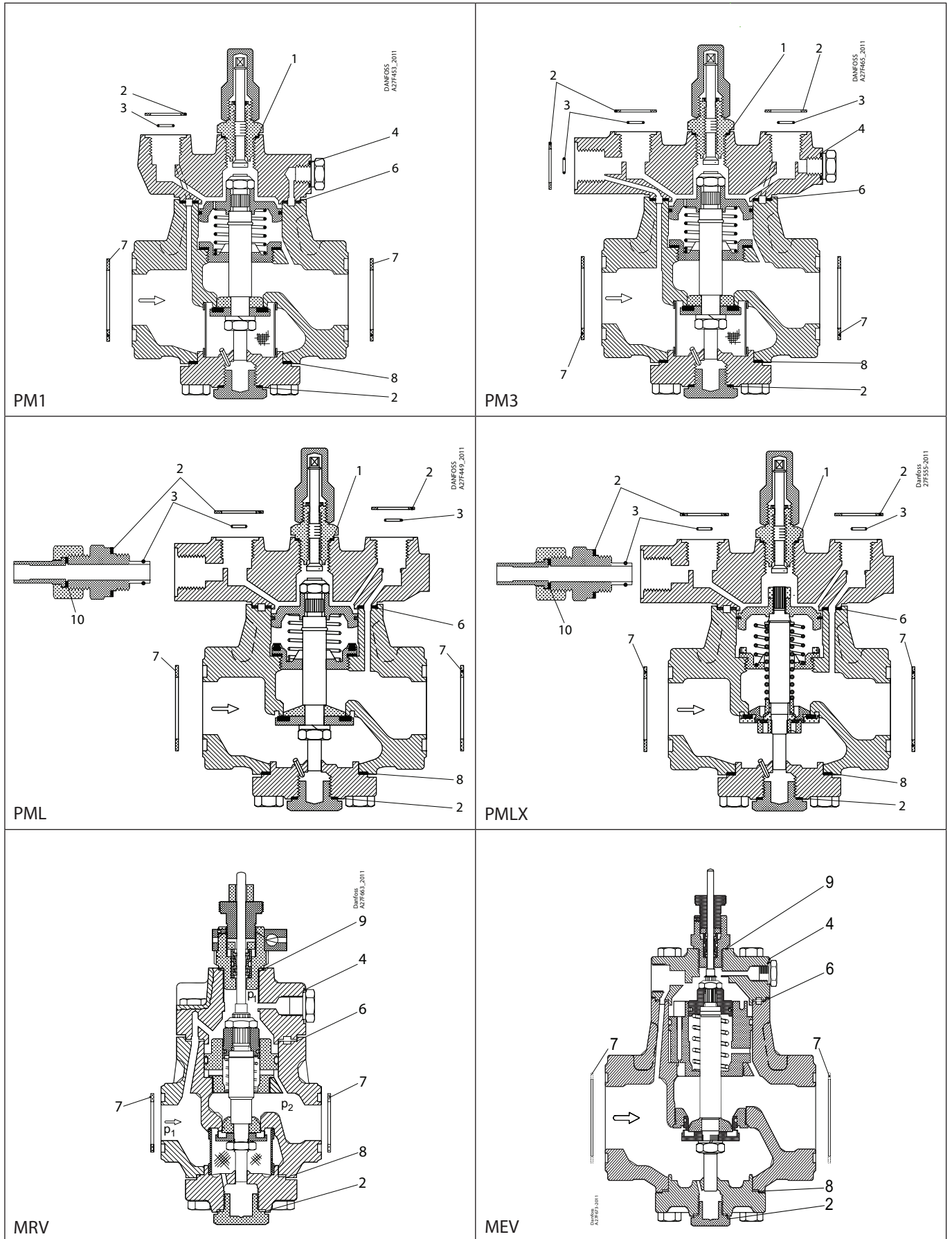


<p><b>1</b></p> <p> = Alu.</p> <p>Ø26 mm Ø1.02"</p> <p>Total no. = 1</p>	<p><b>2</b></p> <p> = Fibre</p> <p>Ø33 mm Ø1.28"</p> <p>Total no. = 4</p>	<p><b>3</b></p> <p> = Alu.</p> <p>Ø9 mm Ø0.36"</p> <p>Total no. = 3</p>	<p><b>4</b></p> <p> = Alu.</p> <p>Ø18 mm Ø0.70"</p> <p>Total no. = 1</p>
<p><b>5</b></p> <p> = Alu.</p> <p>Ø14 mm Ø0.55"</p> <p>Total no. = 1</p>	<p><b>6</b></p> <p> = Fibre</p> <p>Ø85 mm Ø3.35"</p> <p>Total no. = 1</p>	<p><b>7</b></p> <p> = Fibre</p> <p>Ø58 mm Ø2.28"</p> <p>Total no. = 2</p>	<p><b>8</b></p> <p> = Fibre</p> <p>Ø70 mm Ø2.76"</p> <p>Total no. = 1</p>
<p><b>9</b></p> <p> = Alu.</p> <p>Ø32 mm Ø1.26"</p> <p>Total no. = 1</p>	<p><b>10</b></p> <p> = Alu.</p> <p>Ø22 mm Ø0.87"</p> <p>Total no. = 1</p>		

Data sheet – Spare parts and accessories

Inspection kit | Code number 027F3077

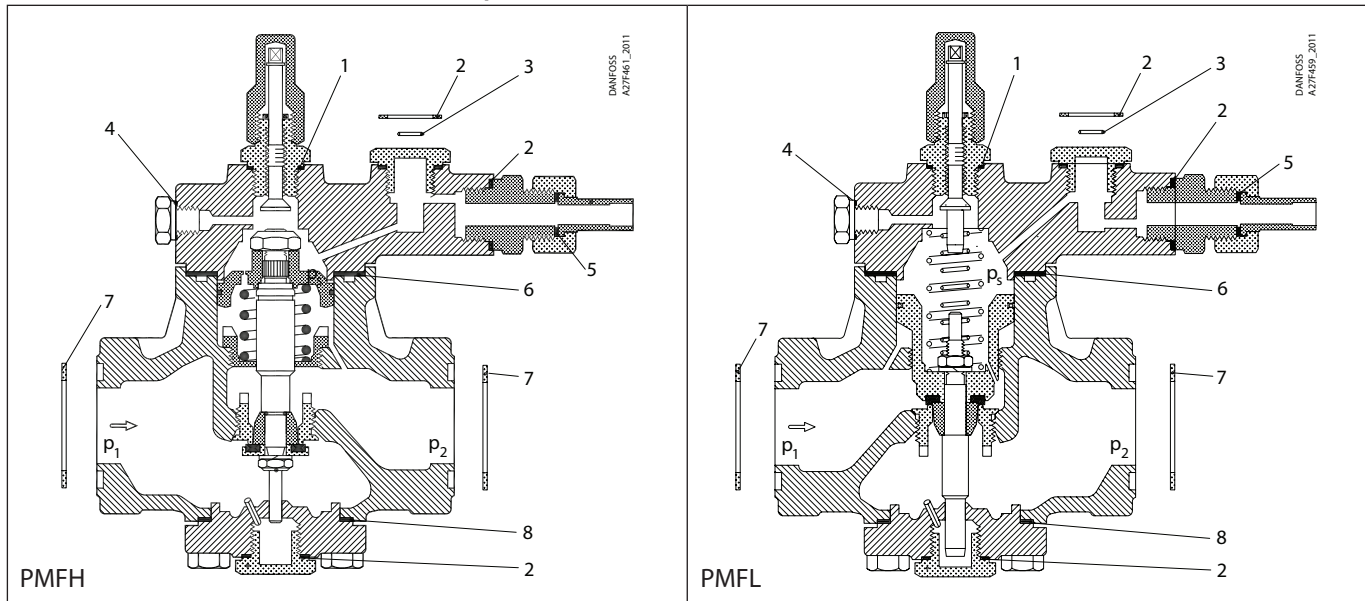
PM, PML, PMLX, MRV, size 40 | MEV, PMFH, PMFL, size 200



Data sheet – Spare parts and accessories

Inspection kit | Code number 027F3077

PM, PML, PMLX, MRV, size 40 | MEV, PMFH, PMFL, size 200

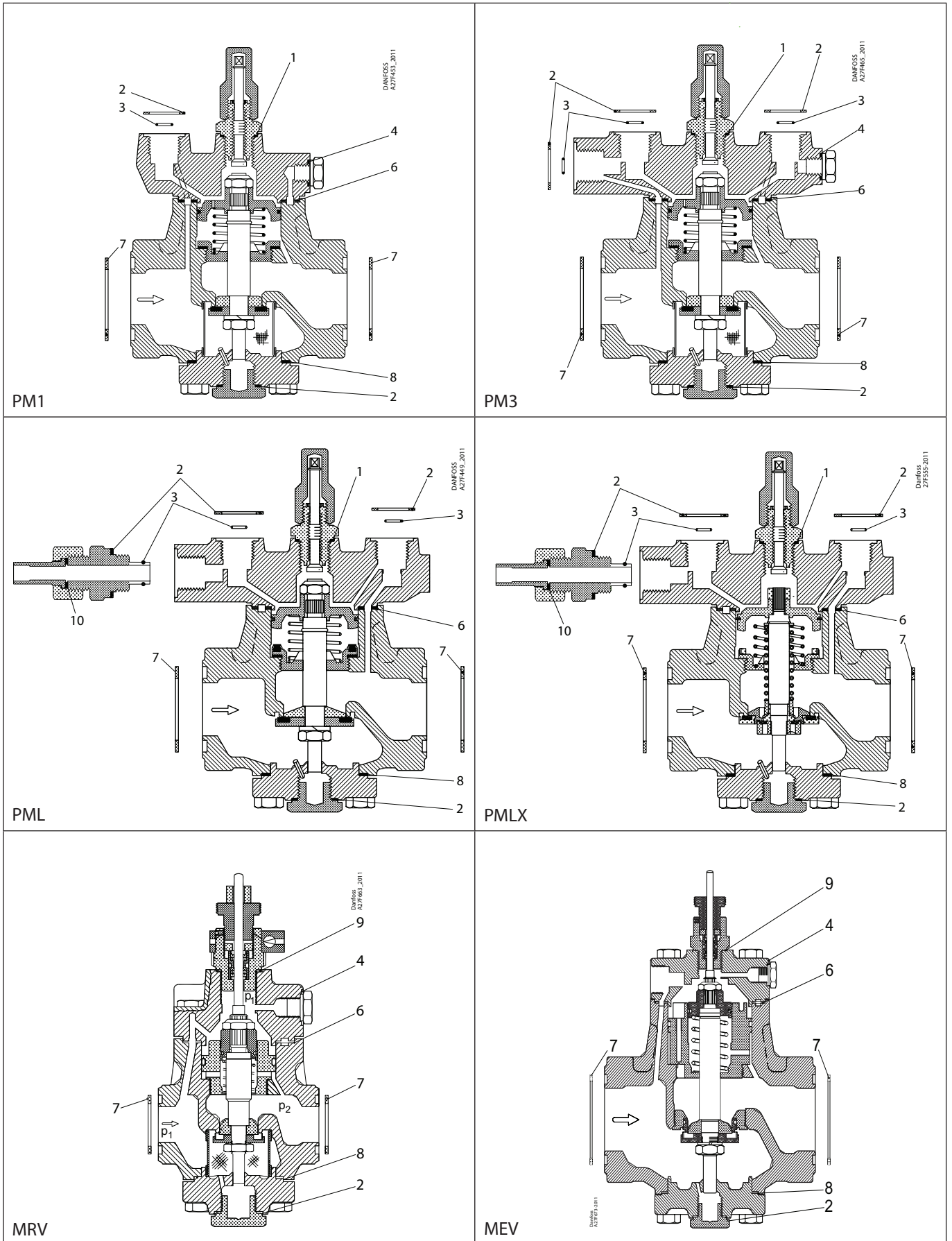


<p><b>1</b></p> <p> = Alu.</p> <p>Ø26 mm Ø1.02"</p> <p>Total no. = 1</p>	<p><b>2</b></p> <p> = Fibre</p> <p>Ø33 mm Ø1.28"</p> <p>Total no. = 4</p>	<p><b>3</b></p> <p> = Alu.</p> <p>Ø9 mm Ø0.36"</p> <p>Total no. = 3</p>	<p><b>4</b></p> <p> = Alu.</p> <p>Ø18 mm Ø0.70"</p> <p>Total no. = 1</p>
<p><b>5</b></p> <p> = Alu.</p> <p>Ø14 mm Ø0.55"</p> <p>Total no. = 1</p>	<p><b>6</b></p> <p> = Fibre</p> <p>Ø93 mm Ø3.66"</p> <p>Total no. = 1</p>	<p><b>7</b></p> <p> = Fibre</p> <p>Ø65 mm Ø2.56"</p> <p>Total no. = 2</p>	<p><b>8</b></p> <p> = Fibre</p> <p>Ø78 mm Ø3.07"</p> <p>Total no. = 1</p>
<p><b>9</b></p> <p> = Alu.</p> <p>Ø32 mm Ø1.26"</p> <p>Total no. = 1</p>	<p><b>10</b></p> <p> = Alu.</p> <p>Ø22 mm Ø0.87"</p> <p>Total no. = 1</p>		

Data sheet – Spare parts and accessories

Inspection kit | Code number 027F3078

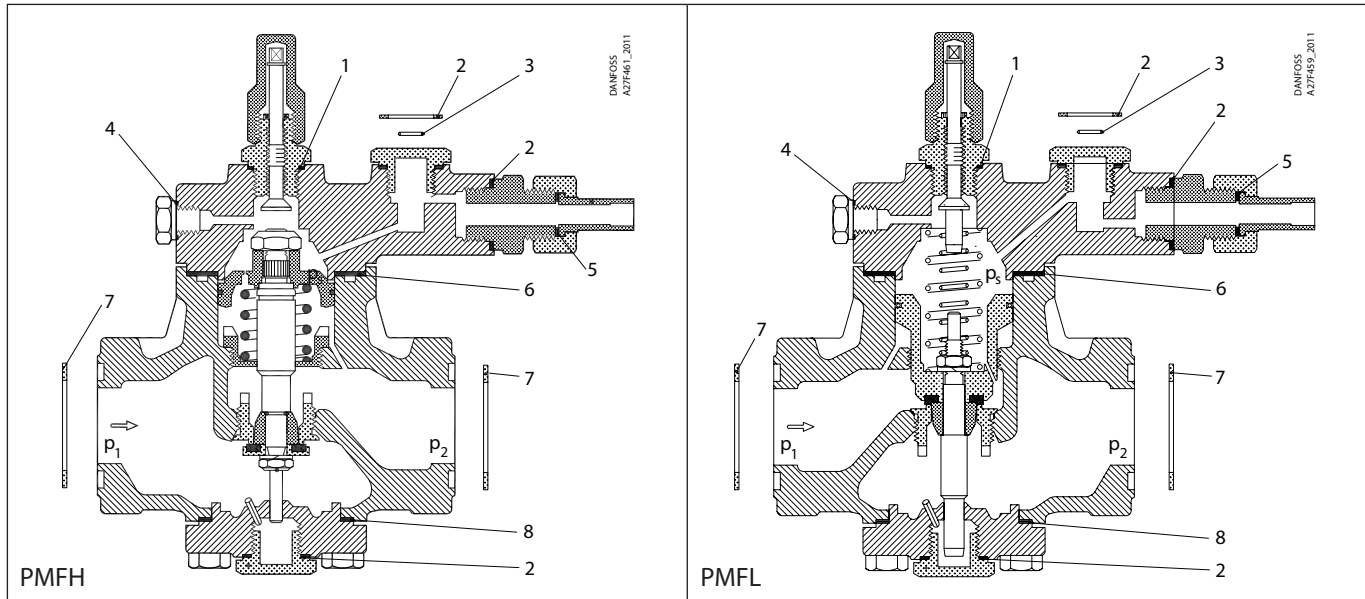
PM, PML, PMLX, MRV, size 50 | MEV, PMFH, PMFL, size 300



Data sheet – Spare parts and accessories

Inspection kit | Code number 027F3078

PM, PML, PMLX, MRV, size 50 | MEV, PMFH, PMFL, size 300

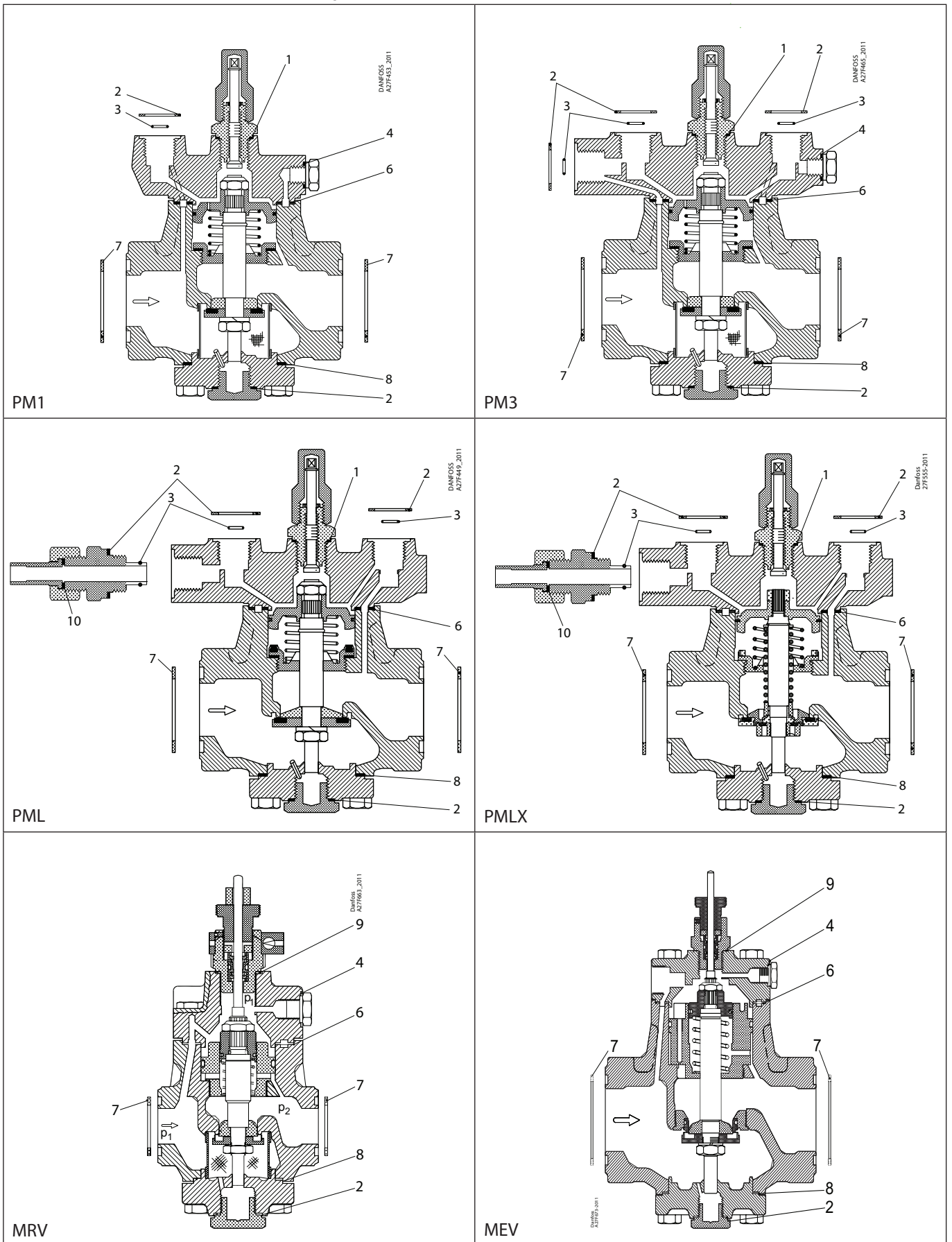


<p><b>1</b></p> <p> = Alu.</p> <p>Ø26 mm Ø1.02"</p> <p>Total no. = 1</p>	<p><b>2</b></p> <p> = Fibre</p> <p>Ø33 mm Ø1.28"</p> <p>Total no. = 4</p>	<p><b>3</b></p> <p> = Alu.</p> <p>Ø9 mm Ø0.36"</p> <p>Total no. = 3</p>	<p><b>4</b></p> <p> = Alu.</p> <p>Ø18 mm Ø0.70"</p> <p>Total no. = 1</p>
<p><b>5</b></p> <p> = Alu.</p> <p>Ø14 mm Ø0.55"</p> <p>Total no. = 1</p>	<p><b>6</b></p> <p> = Fibre</p> <p>Ø105 mm Ø4.13"</p> <p>Total no. = 1</p>	<p><b>7</b></p> <p> = Fibre</p> <p>Ø76 mm Ø2.99"</p> <p>Total no. = 2</p>	<p><b>8</b></p> <p> = Fibre</p> <p>Ø92 mm Ø3.62"</p> <p>Total no. = 1</p>
<p><b>9</b></p> <p> = Alu.</p> <p>Ø32 mm Ø1.26"</p> <p>Total no. = 1</p>	<p><b>10</b></p> <p> = Alu.</p> <p>Ø22 mm Ø0.87"</p> <p>Total no. = 1</p>		



Data sheet – Spare parts and accessories

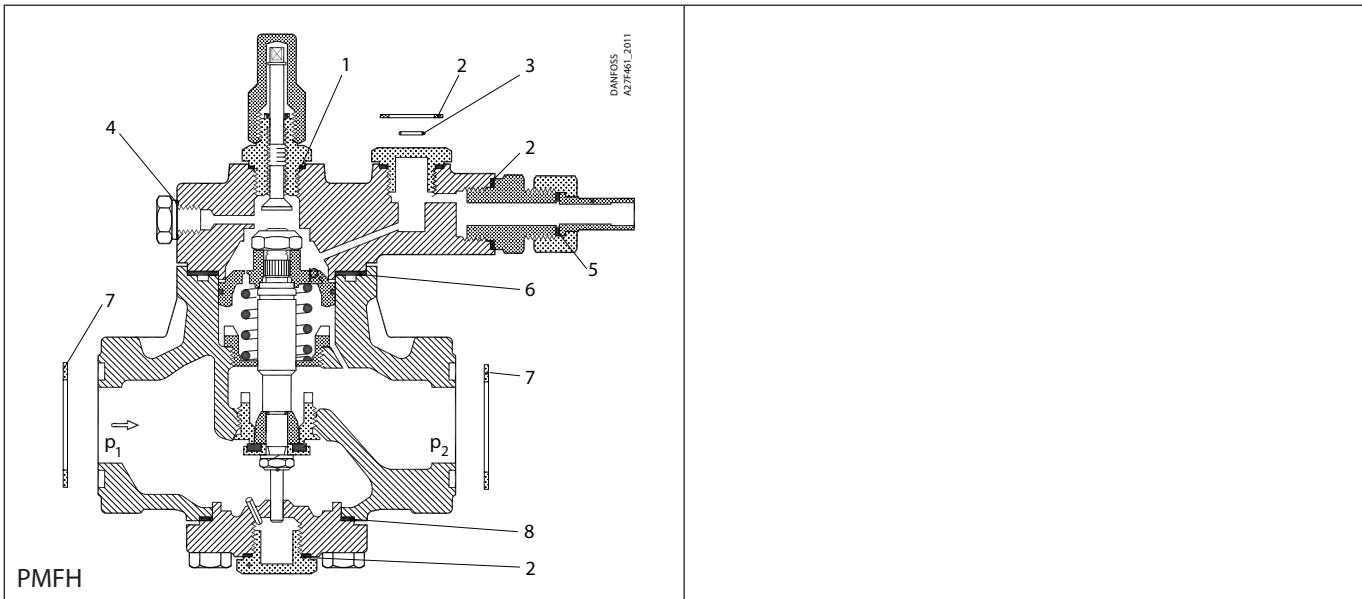
Inspection kit | Code number 027F3079  
 PM, PML, PMLX, MRV, size 65 | MEV, PMFH, size 500



Data sheet – Spare parts and accessories

Inspection kit | Code number 027F3079

PM, PML, PMLX, MRV, size 65 | MEV, PMFH, size 500

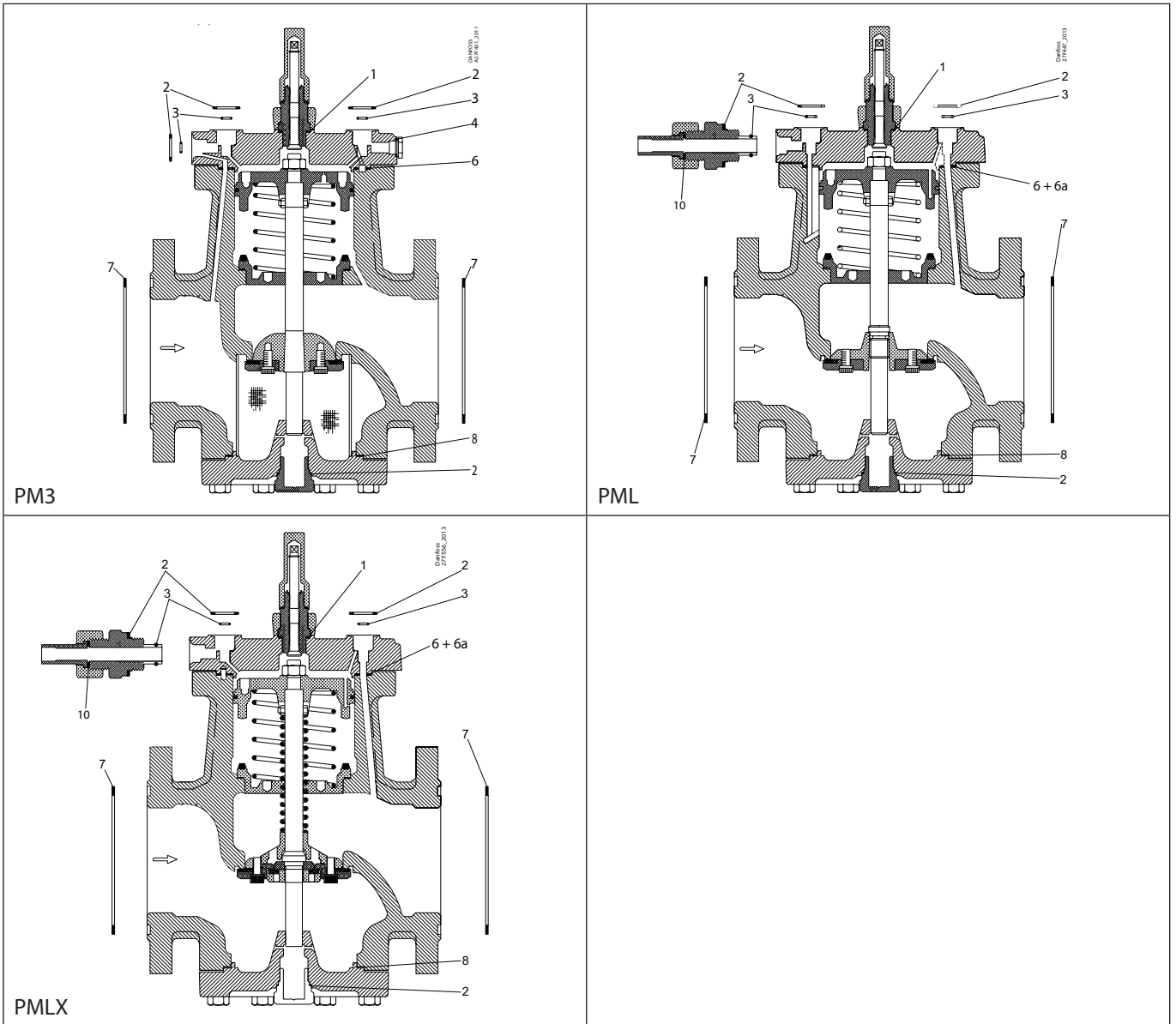


<p><b>1</b></p> <p> = Alu.</p> <p><math>\varnothing 26 \text{ mm}</math> <math>\varnothing 1.02''</math></p> <p>Total no. = 1</p>	<p><b>2</b></p> <p> = Fibre</p> <p><math>\varnothing 33 \text{ mm}</math> <math>\varnothing 1.28''</math></p> <p>Total no. = 4</p>	<p><b>3</b></p> <p> = Alu.</p> <p><math>\varnothing 9 \text{ mm}</math> <math>\varnothing 0.36''</math></p> <p>Total no. = 3</p>	<p><b>4</b></p> <p> = Alu.</p> <p><math>\varnothing 18 \text{ mm}</math> <math>\varnothing 0.70''</math></p> <p>Total no. = 1</p>
<p><b>5</b></p> <p> = Alu.</p> <p><math>\varnothing 14 \text{ mm}</math> <math>\varnothing 0.55''</math></p> <p>Total no. = 1</p>	<p><b>6</b></p> <p> = Fibre</p> <p><math>\varnothing 127 \text{ mm}</math> <math>\varnothing 5''</math></p> <p>Total no. = 1</p>	<p><b>7</b></p> <p> = Fibre</p> <p><math>\varnothing 87 \text{ mm}</math> <math>\varnothing 3.43''</math></p> <p>Total no. = 2</p>	<p><b>8</b></p> <p> = Fibre</p> <p><math>\varnothing 112 \text{ mm}</math> <math>\varnothing 4.41''</math></p> <p>Total no. = 1</p>
<p><b>9</b></p> <p> = Alu.</p> <p><math>\varnothing 32 \text{ mm}</math> <math>\varnothing 1.26''</math></p> <p>Total no. = 1</p>	<p><b>10</b></p> <p> = Alu.</p> <p><math>\varnothing 22 \text{ mm}</math> <math>\varnothing 0.87''</math></p> <p>Total no. = 1</p>		



Data sheet – Spare parts and accessories

Inspection kit | Code number 027F3091  
PM, PML, PMLX, size 80

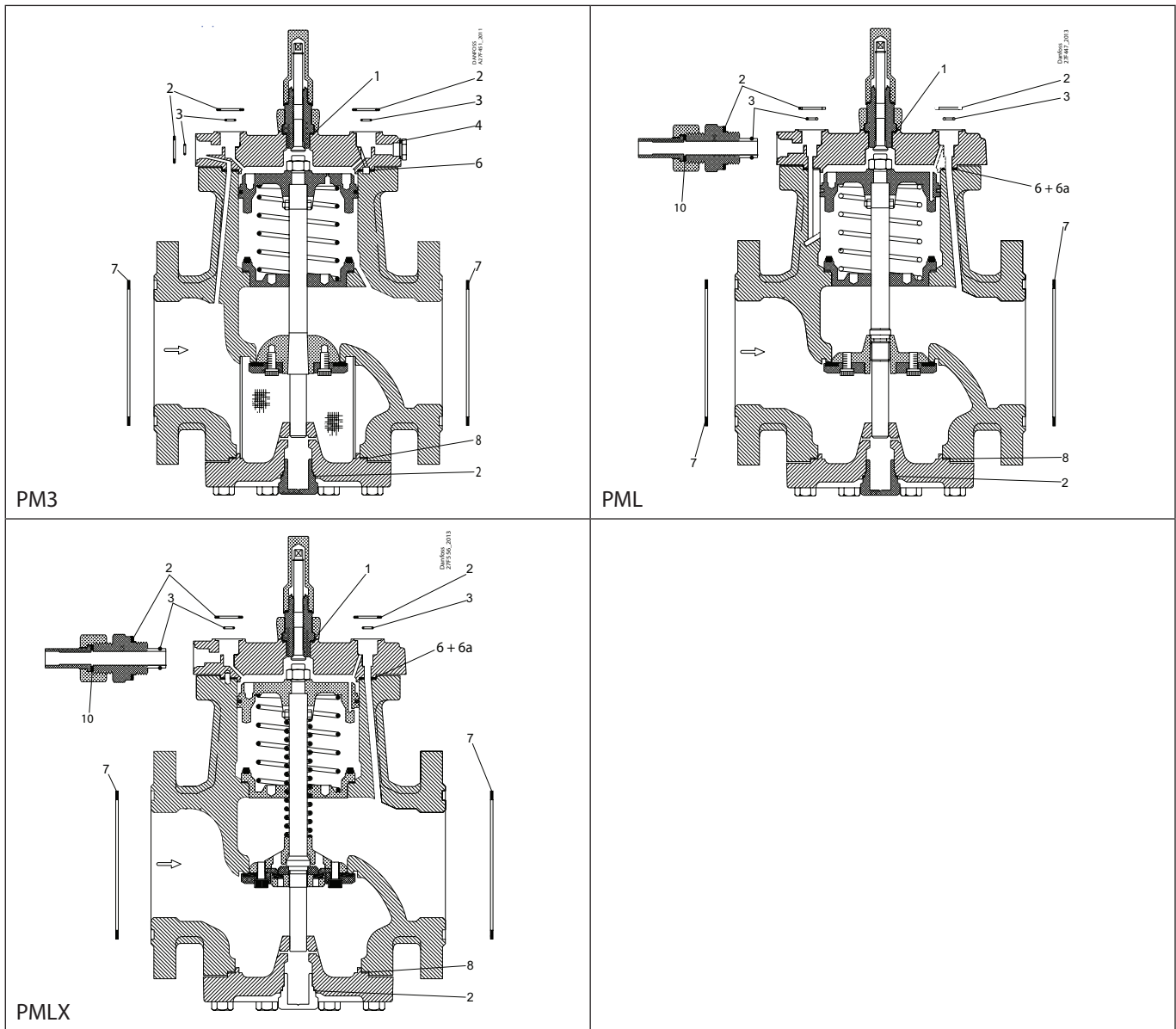


<p><b>1</b></p> <p>▨ = Alu.</p> <p>Total no. = 1</p>	<p><b>2</b></p> <p>▨ = Fibre</p> <p>Total no. = 4</p>	<p><b>3</b></p> <p>Total no. = 3</p>	<p><b>4</b></p> <p>▨ = Alu.</p> <p>Total no. = 1</p>	<p><b>5*</b></p> <p>▨ = Alu.</p> <p>Total no. = 1</p>	<p><b>6</b></p> <p>▨ = Fibre</p> <p>Total no. = 1</p>
<p><b>6a</b></p> <p>▨ = Fibre</p> <p>Total no. = 1</p>	<p><b>7</b></p> <p>▨ = Fibre</p> <p>Total no. = 2</p>	<p><b>8</b></p> <p>▨ = Fibre</p> <p>Total no. = 1</p>	<p><b>9*</b></p> <p>▨ = Alu.</p> <p>Total no. = 1</p>	<p><b>10</b></p> <p>▨ = Alu.</p> <p>Total no. = 1</p>	

\* The spare part is included in the package but is not used for PM, PML, PMLX 100

Data sheet – Spare parts and accessories

Inspection kit | Code number 027F3092  
PM, PML, PMLX, size 100

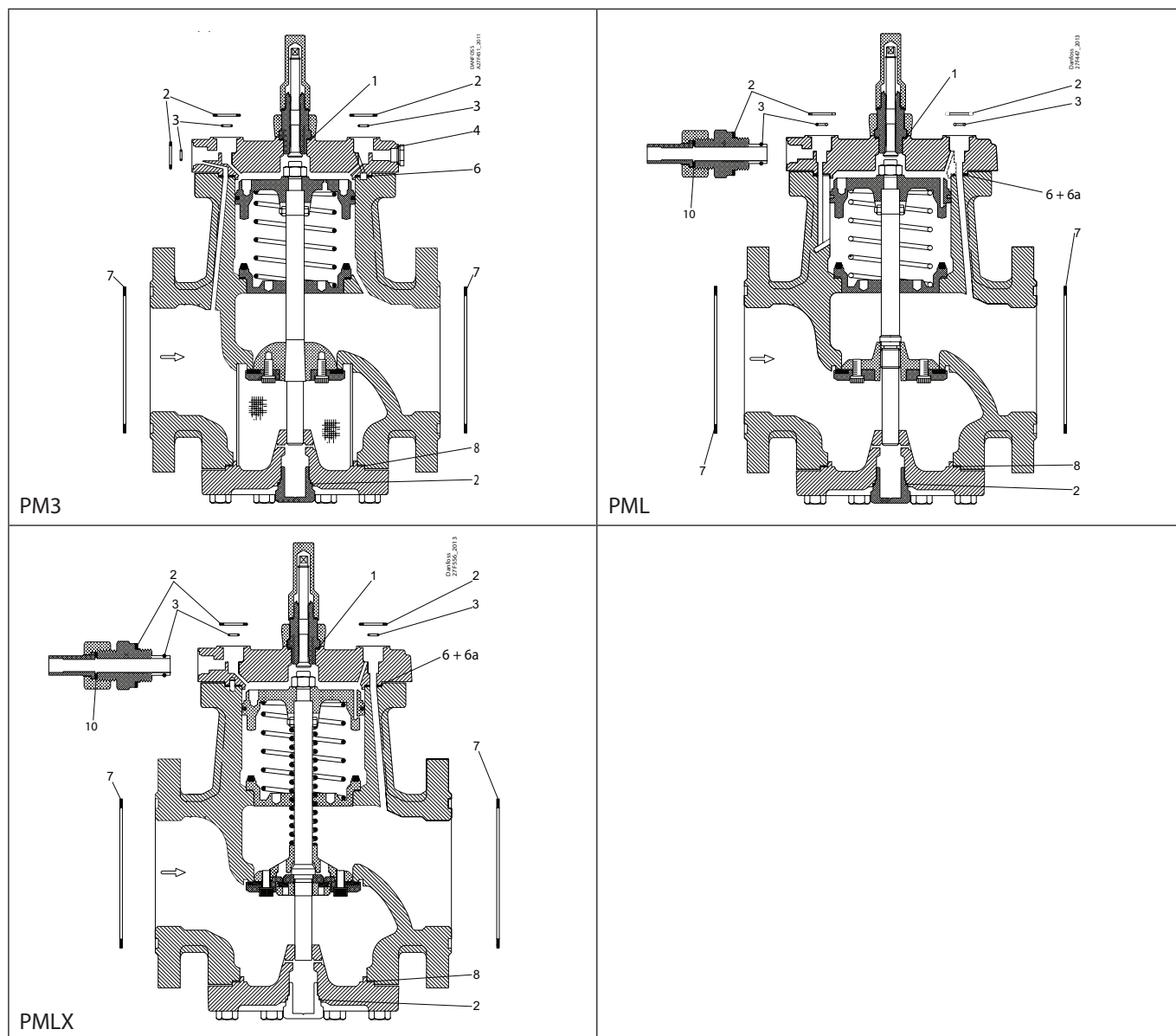


<p><b>1</b></p> <p> = Alu.</p> <p>Ø26 mm Ø1.02"</p> <p>Total no. = 1</p>	<p><b>2</b></p> <p> = Fibre</p> <p>Ø33 mm Ø1.28"</p> <p>Total no. = 4</p>	<p><b>3</b></p> <p> = Alu.</p> <p>Ø9 mm Ø0.36"</p> <p>Total no. = 3</p>	<p><b>4</b></p> <p> = Alu.</p> <p>Ø18 mm Ø0.70"</p> <p>Total no. = 1</p>	<p><b>5*</b></p> <p> = Alu.</p> <p>Ø14 mm Ø0.55"</p> <p>Total no. = 1</p>	<p><b>6</b></p> <p> = Fibre</p> <p>Ø185 mm Ø7.28"</p> <p>Total no. = 1</p>
<p><b>6a</b></p> <p> = Fibre</p> <p>Ø185 mm Ø7.28"</p> <p>Total no. = 1</p>	<p><b>7</b></p> <p> = Fibre</p> <p>Ø175 mm Ø6.89"</p> <p>Total no. = 2</p>	<p><b>8</b></p> <p> = Fibre</p> <p>Ø168 mm Ø6.61"</p> <p>Total no. = 1</p>	<p><b>9*</b></p> <p> = Alu.</p> <p>Ø32 mm Ø1.26"</p> <p>Total no. = 1</p>	<p><b>10</b></p> <p> = Alu.</p> <p>Ø22 mm Ø0.87"</p> <p>Total no. = 1</p>	

\* The spare part is included in the package but is not used for PM, PML, PMLX 100

Data sheet – Spare parts and accessories

Inspection kit | Code number 027F3093  
PM, PML, PMLX, size 125



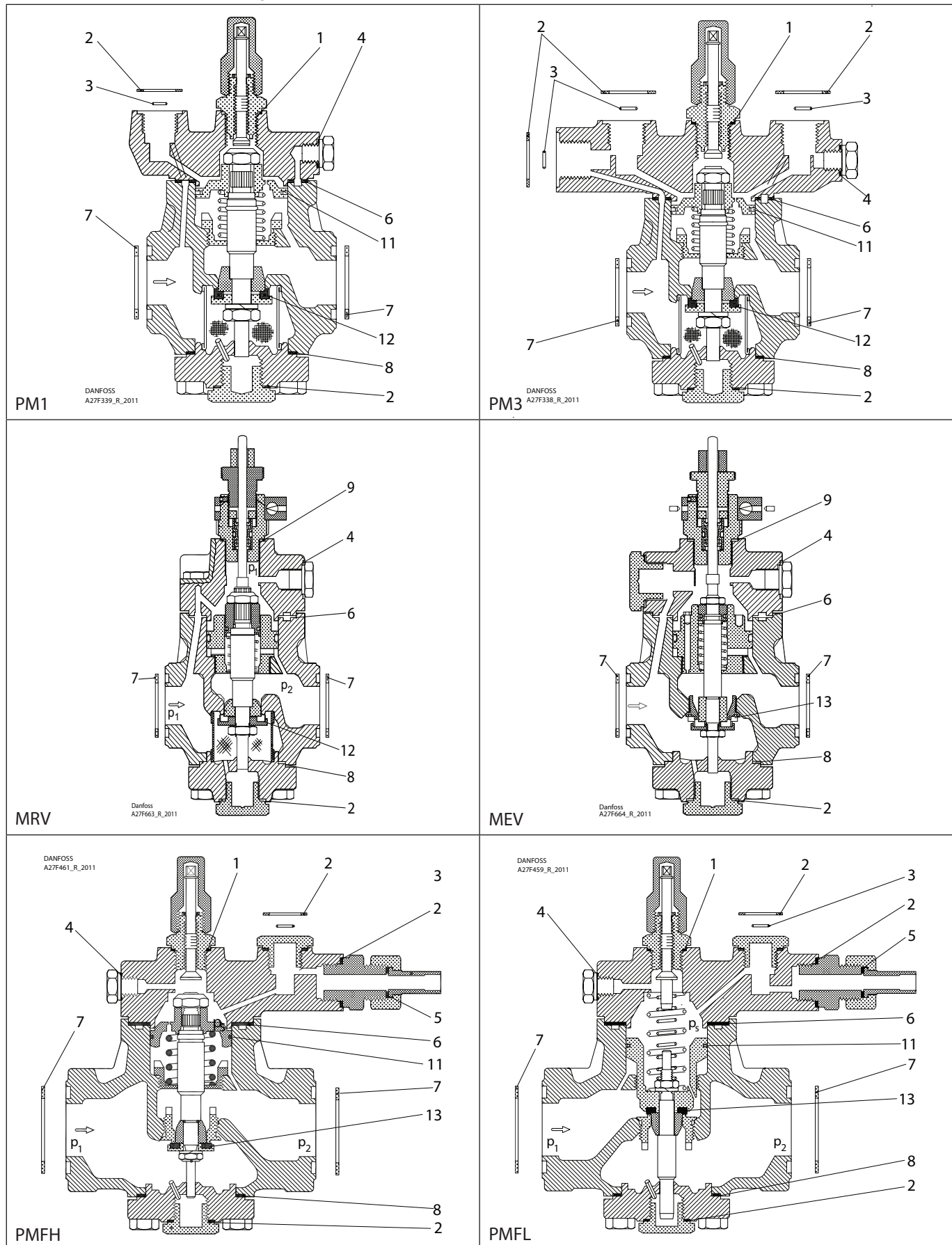
<p><b>1</b></p> <p>Alu.</p> <p>Ø26 mm Ø1.02"</p> <p>Total no. = 1</p>	<p><b>2</b></p> <p>Fibre</p> <p>Ø33 mm Ø1.28"</p> <p>Total no. = 4</p>	<p><b>3</b></p> <p>Ø9 mm Ø0.36"</p> <p>Total no. = 3</p>	<p><b>4</b></p> <p>Alu.</p> <p>Ø18 mm Ø0.70"</p> <p>Total no. = 1</p>	<p><b>5*</b></p> <p>Alu.</p> <p>Ø14 mm Ø0.55"</p> <p>Total no. = 1</p>	<p><b>6</b></p> <p>Fibre</p> <p>Ø221 mm Ø8.7"</p> <p>Total no. = 1</p>
<p><b>6a</b></p> <p>Fibre</p> <p>Ø221 mm Ø8.7"</p> <p>Total no. = 1</p>	<p><b>7</b></p> <p>Fibre</p> <p>Ø203 mm Ø7.99"</p> <p>Total no. = 2</p>	<p><b>8</b></p> <p>Fibre</p> <p>Ø196 mm Ø7.72"</p> <p>Total no. = 1</p>	<p><b>9*</b></p> <p>Alu.</p> <p>Ø32 mm Ø1.26"</p> <p>Total no. = 1</p>	<p><b>10</b></p> <p>Alu.</p> <p>Ø22 mm Ø0.87"</p> <p>Total no. = 1</p>	

\* The spare part is included in the package but is not used for PM, PML, PMLX 125

Data sheet – Spare parts and accessories

Repair kit | Code number 027F3150

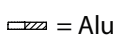
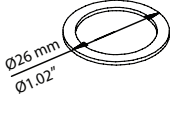
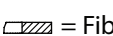
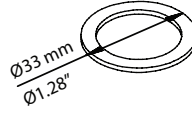

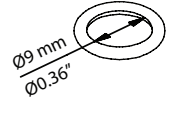

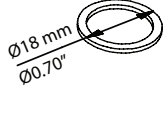
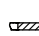
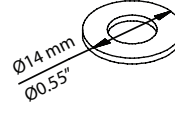
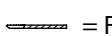
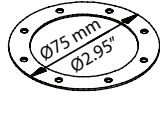
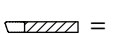
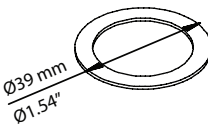

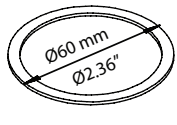
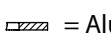
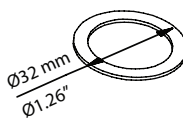

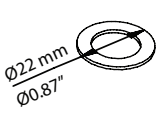

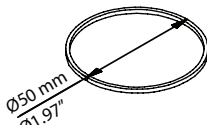
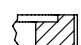
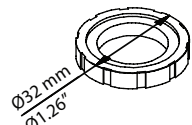

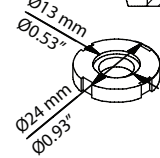

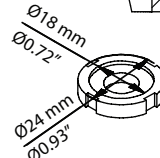
PM, MRV, size 5 to 25 | MEV, PMFH, PMFL, sizes 80-1 to 80-7



Data sheet – Spare parts and accessories

Repair kit | Code number 027F3150

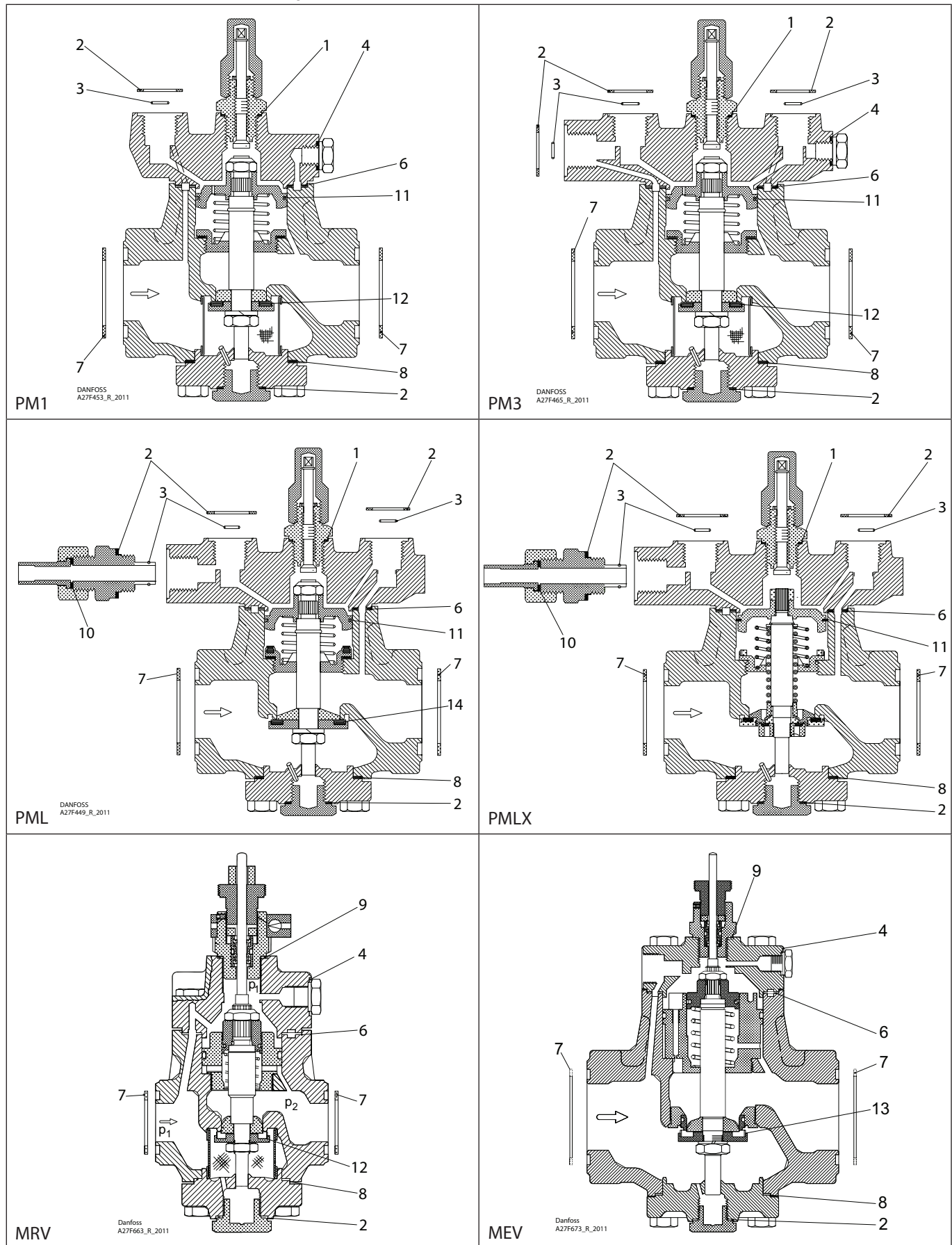
PM, MRV, size 5 to 25 | MEV, PMFH, PMFL, sizes 80-1 to 80-7

<p><b>1</b></p> <p> = Alu.</p>  <p>Ø26 mm Ø1.02"</p> <p>Total no. = 1</p>	<p><b>2</b></p> <p> = Fibre</p>  <p>Ø33 mm Ø1.28"</p> <p>Total no. = 4</p>	<p><b>3</b></p> <p></p>  <p>Ø9 mm Ø0.36"</p> <p>Total no. = 3</p>	<p><b>4</b></p> <p> = Alu.</p>  <p>Ø18 mm Ø0.70"</p> <p>Total no. = 1</p>	<p><b>5</b></p> <p> = Alu.</p>  <p>Ø14 mm Ø0.55"</p> <p>Total no. = 1</p>	<p><b>6</b></p> <p> = Fibre</p>  <p>Ø75 mm Ø2.95"</p> <p>Total no. = 1</p>
<p><b>7</b></p> <p> = Fibre</p>  <p>Ø39 mm Ø1.54"</p> <p>Total no. = 2</p>	<p><b>8</b></p> <p> = Fibre</p>  <p>Ø60 mm Ø2.36"</p> <p>Total no. = 1</p>	<p><b>9</b></p> <p> = Alu.</p>  <p>Ø32 mm Ø1.26"</p> <p>Total no. = 1</p>	<p><b>10*</b></p> <p> = Alu.</p>  <p>Ø22 mm Ø0.87"</p> <p>Total no. = 1</p>	<p><b>11</b></p> <p></p>  <p>Ø50 mm Ø1.97"</p> <p>Total no. = 1</p>	<p><b>12</b></p> <p></p>  <p>Ø32 mm Ø1.26"</p> <p>Total no. = 1</p>
<p><b>13</b></p> <p></p>  <p>Ø13 mm Ø0.53"</p> <p>Ø24 mm Ø0.93"</p> <p>Total no. = 1</p>	<p><b>14</b></p> <p></p>  <p>Ø18 mm Ø0.72"</p> <p>Ø24 mm Ø0.93"</p> <p>Total no. = 1</p>				

\* The spare part is included in the package but is not used for PM, MRV 5 to 25 or MEV, PMFH, PMFL 80-1 to 80-7

Data sheet – Spare parts and accessories

Repair kit | Code number 027F3152  
 PM, PML/X, MRV, size 32 | MEV, PMFH/L, size 125

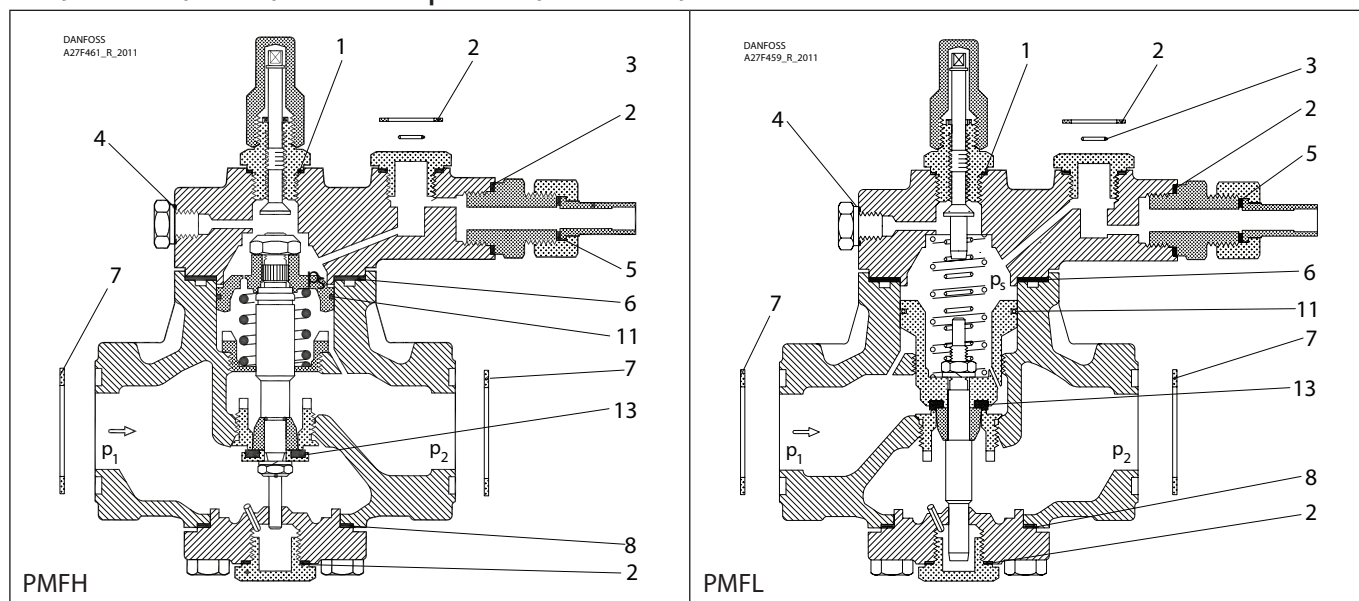




Data sheet – Spare parts and accessories

Repair kit | Code number 027F3152

PM, PML/X, MRV, size 32 | MEV, PMFH/L, size 125

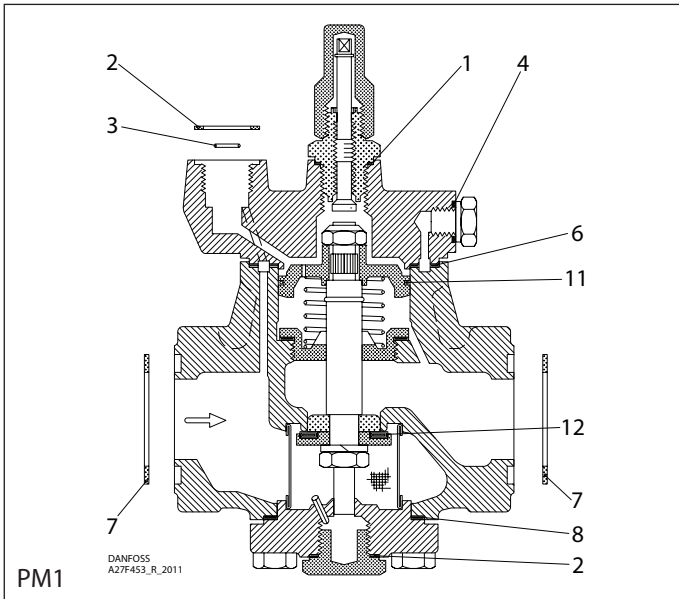


<p><b>1</b> </p> <p>Total no. = 1</p>	<p><b>2</b> </p> <p>Total no. = 4</p>	<p><b>3</b> </p> <p>Total no. = 3</p>	<p><b>4</b> </p> <p>Total no. = 1</p>	<p><b>5</b> </p> <p>Total no. = 1</p>	<p><b>6</b> </p> <p>Total no. = 1</p>
<p><b>7</b> </p> <p>Total no. = 2</p>	<p><b>8</b> </p> <p>Total no. = 1</p>	<p><b>9</b> </p> <p>Total no. = 1</p>	<p><b>10</b> </p> <p>Total no. = 1</p>	<p><b>11</b> </p> <p>Total no. = 1</p>	<p><b>12</b> </p> <p>Total no. = 1</p>
<p><b>13</b> </p> <p>Total no. = 1</p>	<p><b>14</b> </p> <p>Total no. = 1</p>				

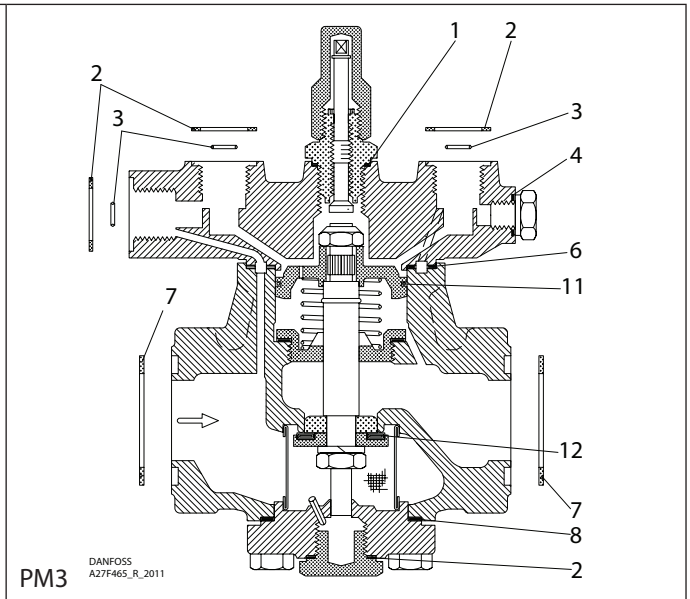
Data sheet – Spare parts and accessories

Repair kit | Code number 027F3153

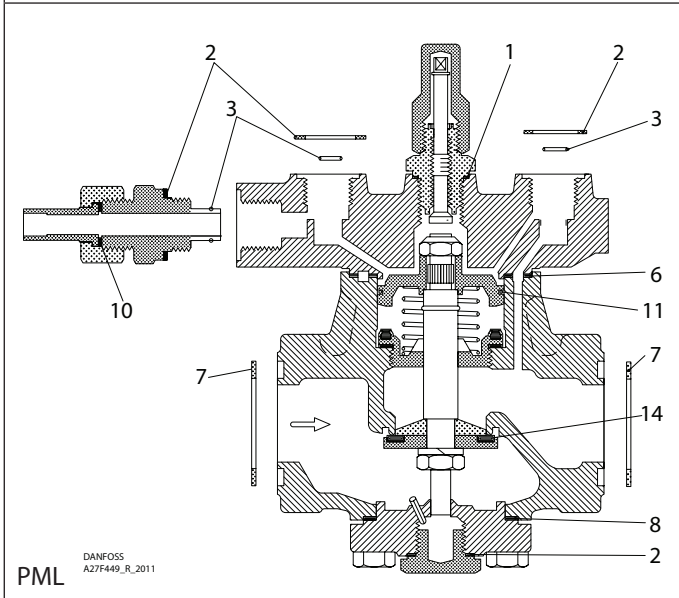
PM, PML/X, MRV, size 40 | MEV, PMFH/L, size 200



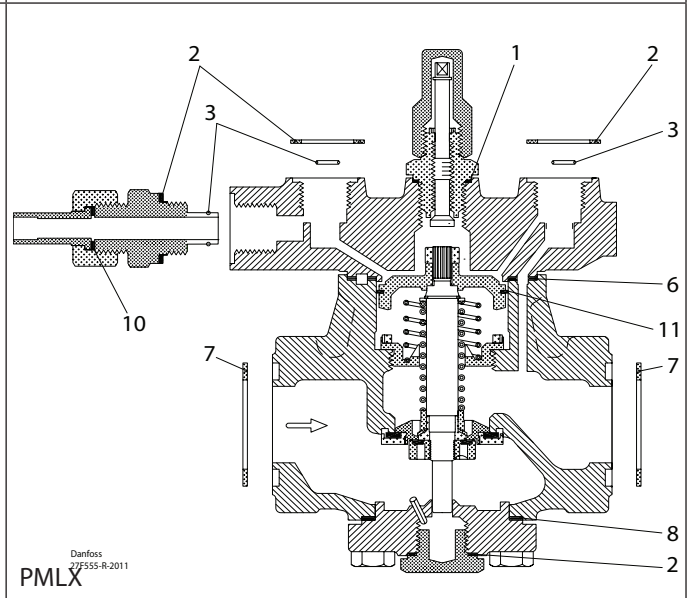
PM1



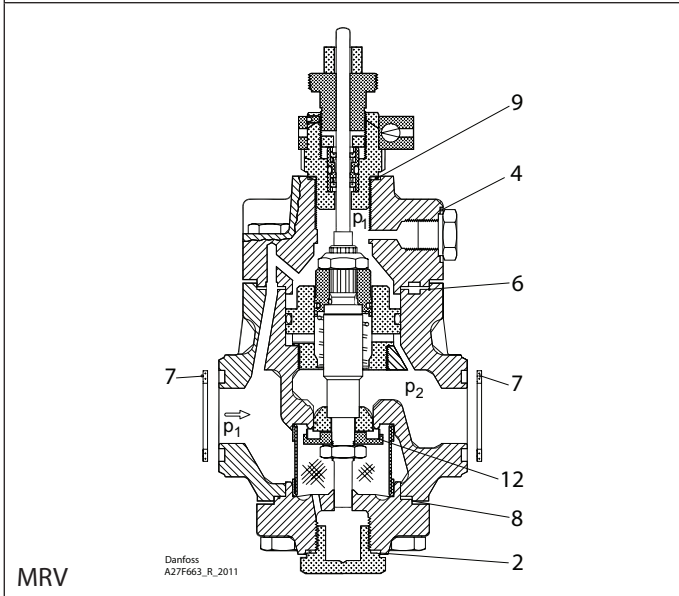
PM3



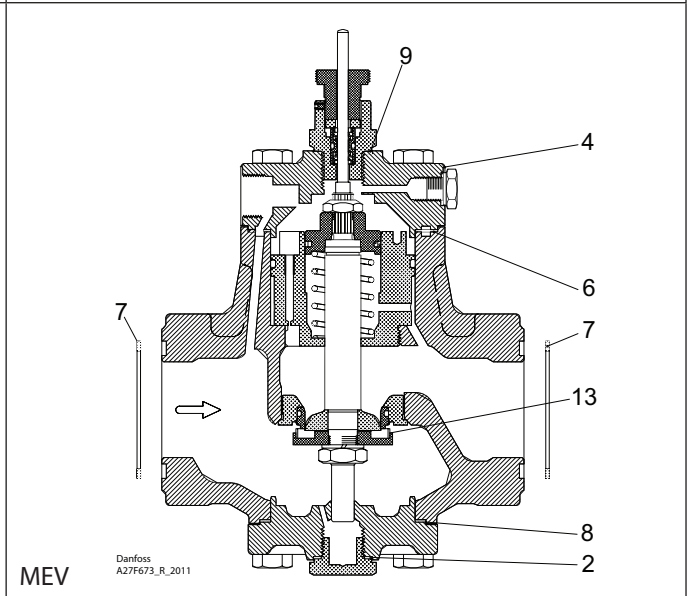
PML



PMLX



MRV



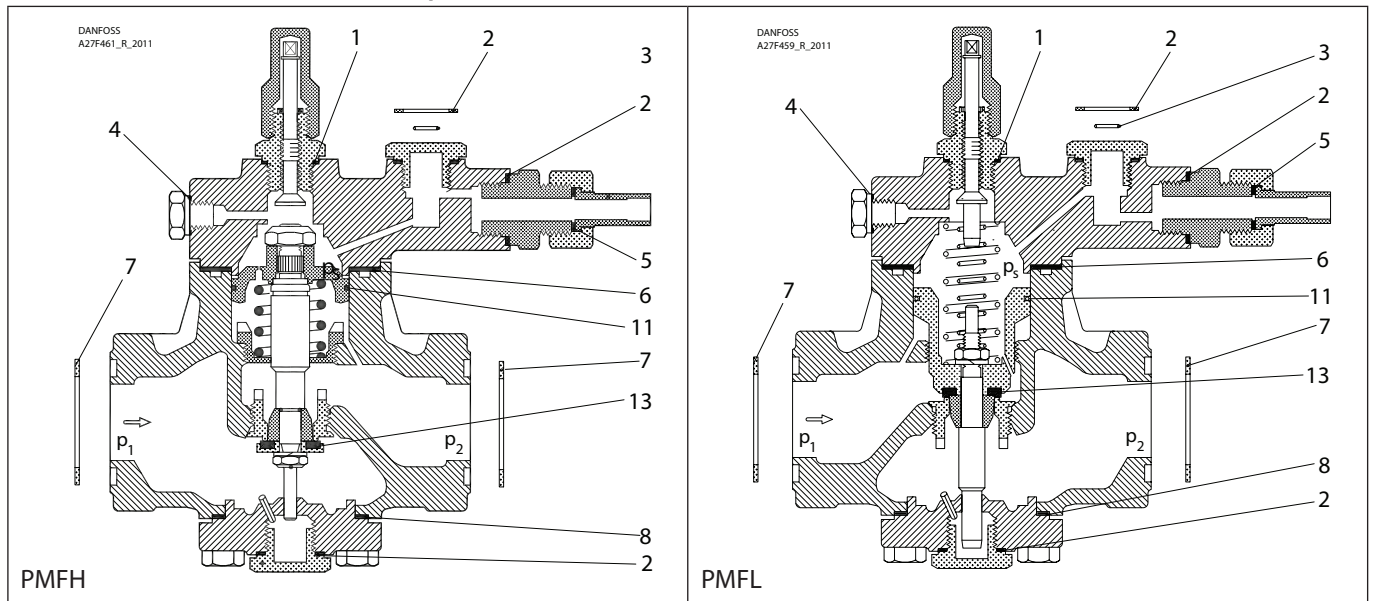
MEV



Data sheet – Spare parts and accessories

Repair kit | Code number 027F3153

PM, PML/X, MRV, size 40 | MEV, PMFH/L, size 200

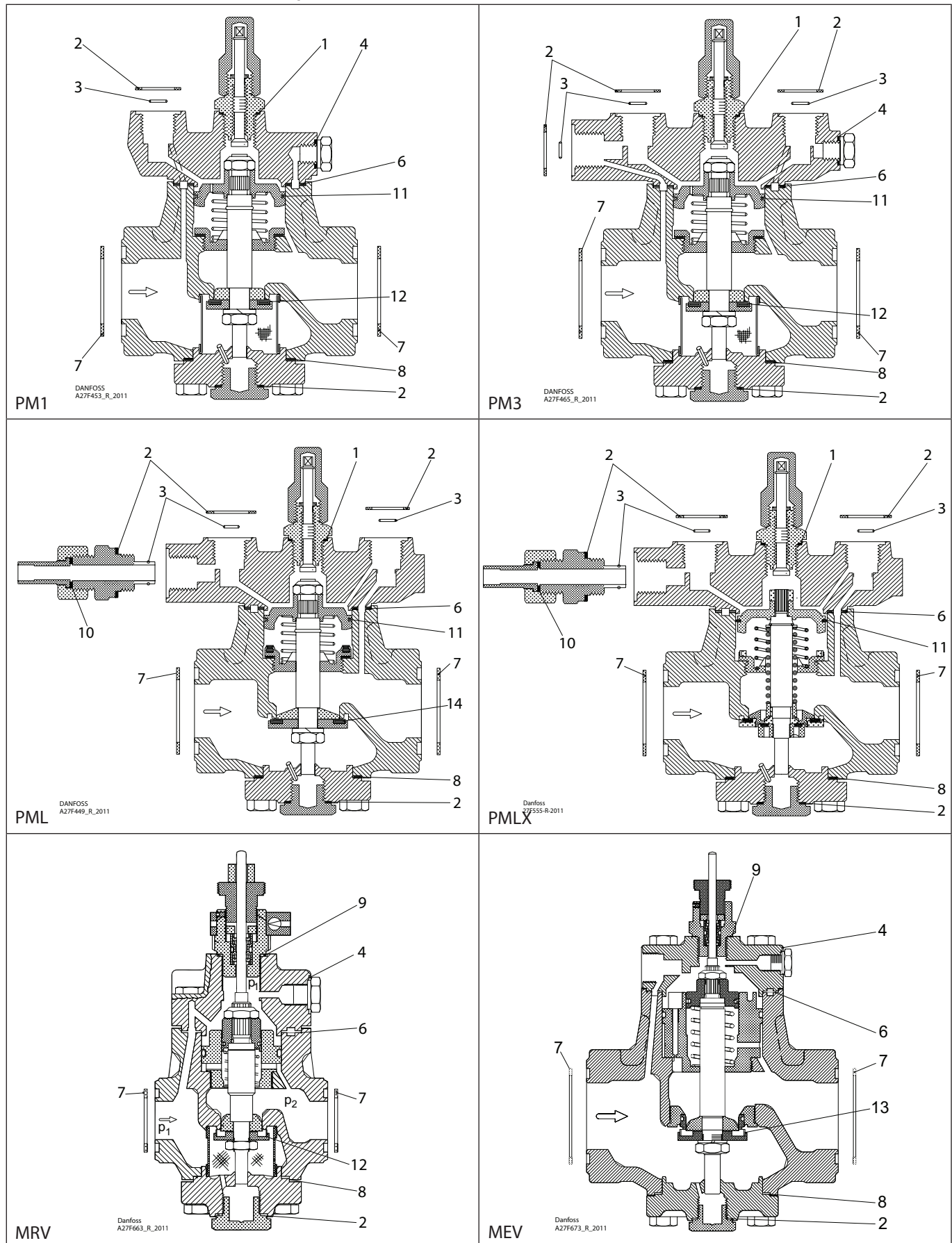


<p><b>1</b>  = Alu.</p> <p><math>\varnothing 26 \text{ mm}</math> <math>\varnothing 1.02''</math></p> <p>Total no. = 1</p>	<p><b>2</b>  = Fibre</p> <p><math>\varnothing 33 \text{ mm}</math> <math>\varnothing 1.28''</math></p> <p>Total no. = 4</p>	<p><b>3</b>  = Alu.</p> <p><math>\varnothing 9 \text{ mm}</math> <math>\varnothing 0.36''</math></p> <p>Total no. = 3</p>	<p><b>4</b>  = Alu.</p> <p><math>\varnothing 18 \text{ mm}</math> <math>\varnothing 0.70''</math></p> <p>Total no. = 1</p>	<p><b>5</b>  = Alu.</p> <p><math>\varnothing 14 \text{ mm}</math> <math>\varnothing 0.55''</math></p> <p>Total no. = 1</p>	<p><b>6</b>  = Fibre</p> <p><math>\varnothing 93 \text{ mm}</math> <math>\varnothing 3.66''</math></p> <p>Total no. = 1</p>
<p><b>7</b>  = Fibre</p> <p><math>\varnothing 65 \text{ mm}</math> <math>\varnothing 2.56''</math></p> <p>Total no. = 2</p>	<p><b>8</b>  = Fibre</p> <p><math>\varnothing 78 \text{ mm}</math> <math>\varnothing 3.07''</math></p> <p>Total no. = 1</p>	<p><b>9</b>  = Alu.</p> <p><math>\varnothing 32 \text{ mm}</math> <math>\varnothing 1.26''</math></p> <p>Total no. = 1</p>	<p><b>10</b>  = Alu.</p> <p><math>\varnothing 22 \text{ mm}</math> <math>\varnothing 0.87''</math></p> <p>Total no. = 1</p>	<p><b>11</b>  = Alu.</p> <p><math>\varnothing 68 \text{ mm}</math> <math>\varnothing 2.68''</math></p> <p>Total no. = 1</p>	<p><b>12</b>  = Fibre</p> <p><math>\varnothing 42 \text{ mm}</math> <math>\varnothing 1.65''</math></p> <p><math>\varnothing 50 \text{ mm}</math> <math>\varnothing 1.96''</math></p> <p>Total no. = 1</p>
<p><b>13</b>  = Alu.</p> <p><math>\varnothing 26 \text{ mm}</math> <math>\varnothing 1.04''</math></p> <p><math>\varnothing 32 \text{ mm}</math> <math>\varnothing 1.26''</math></p> <p>Total no. = 1</p>	<p><b>14</b>  = Alu.</p> <p><math>\varnothing 50 \text{ mm}</math> <math>\varnothing 1.98''</math></p> <p><math>\varnothing 60 \text{ mm}</math> <math>\varnothing 2.35''</math></p> <p>Total no. = 1</p>				

Data sheet – Spare parts and accessories

Repair kit | Code number 027F3154

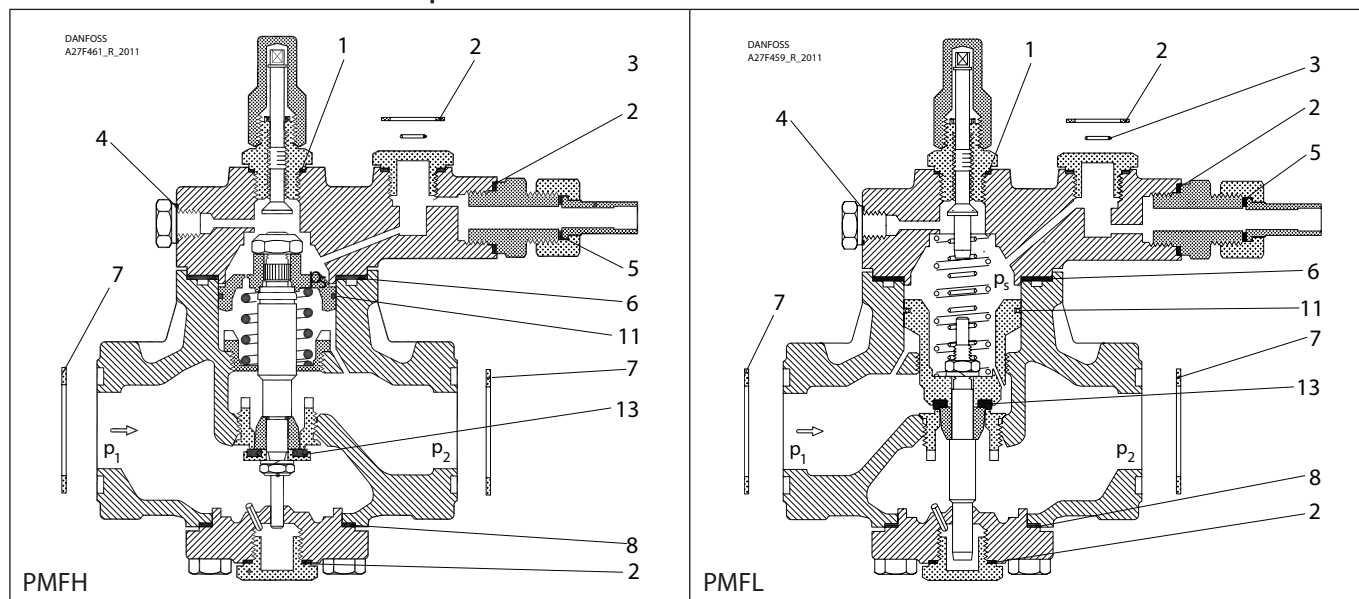
PM, PML/X, MRV, size 50 | MEV, PMFH/L, size 300



Data sheet – Spare parts and accessories

Repair kit | Code number 027F3154

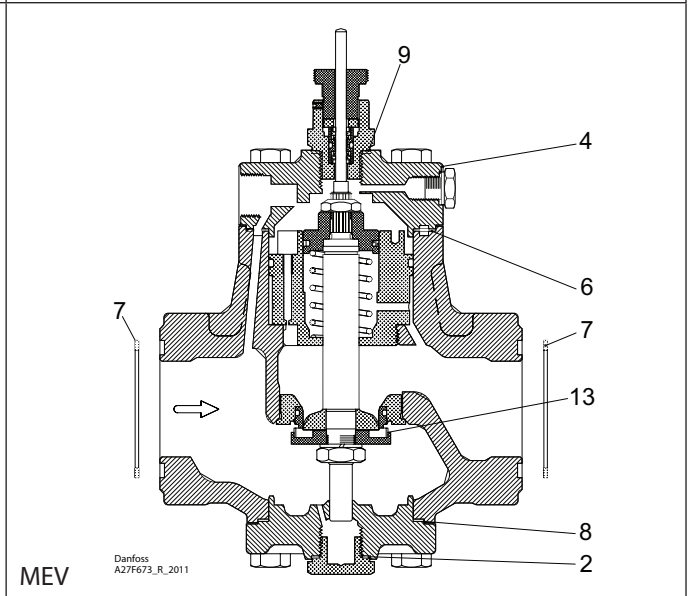
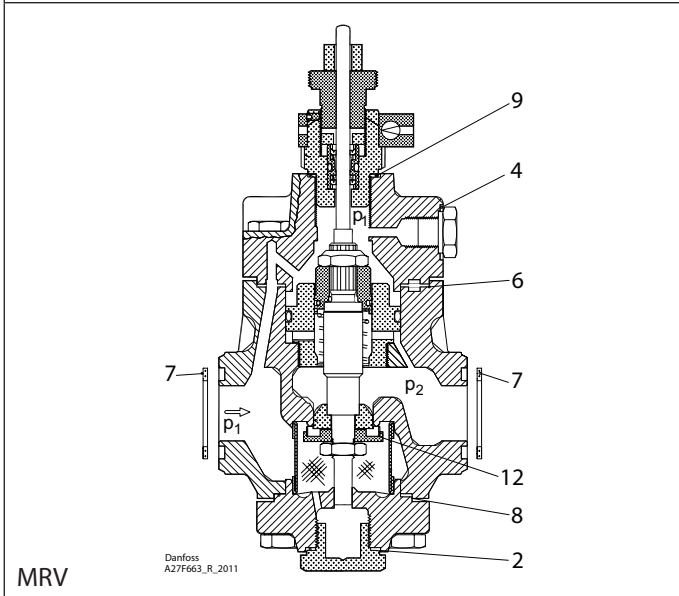
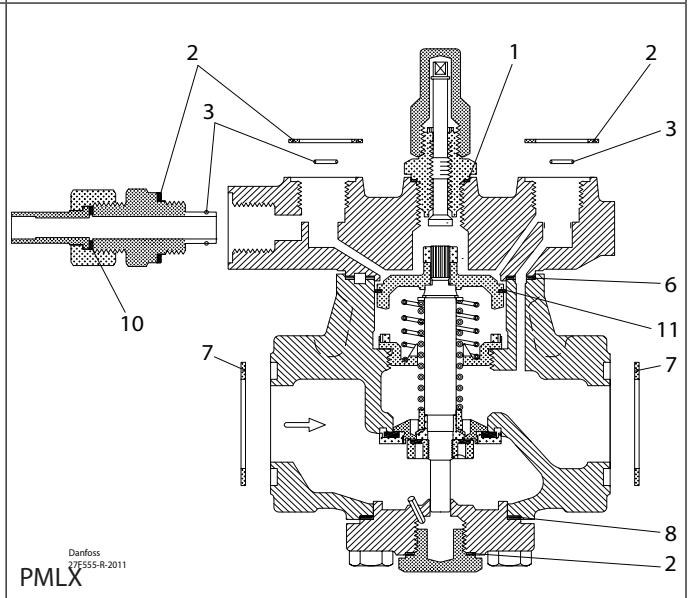
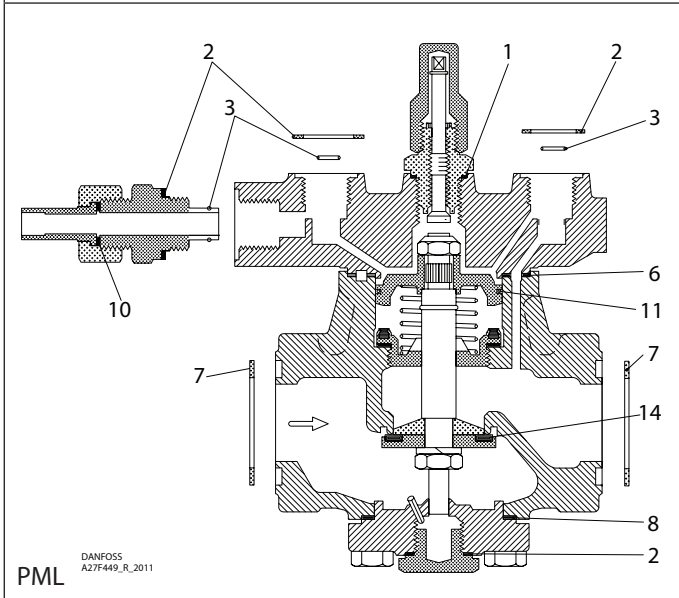
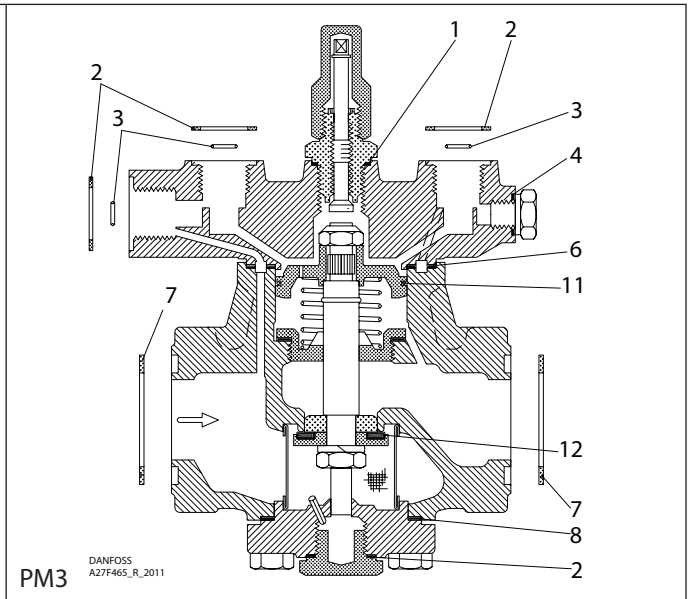
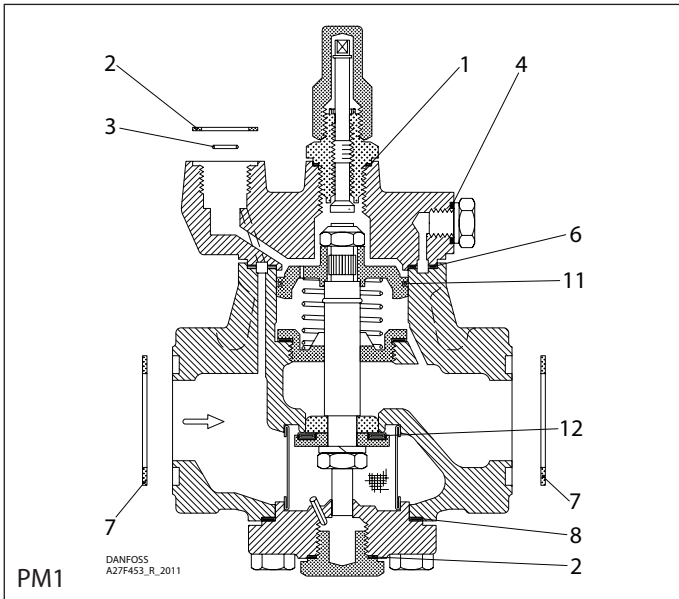
PM, PML/X, MRV, size 50 | MEV, PMFH/L, size 300



<p><b>1</b>  = Alu.</p> <p><math>\varnothing 26 \text{ mm}</math> <math>\varnothing 1.02''</math></p> <p>Total no. = 1</p>	<p><b>2</b>  = Fibre</p> <p><math>\varnothing 33 \text{ mm}</math> <math>\varnothing 1.28''</math></p> <p>Total no. = 4</p>	<p><b>3</b>  = Alu.</p> <p><math>\varnothing 9 \text{ mm}</math> <math>\varnothing 0.36''</math></p> <p>Total no. = 3</p>	<p><b>4</b>  = Alu.</p> <p><math>\varnothing 18 \text{ mm}</math> <math>\varnothing 0.70''</math></p> <p>Total no. = 1</p>	<p><b>5</b>  = Alu.</p> <p><math>\varnothing 14 \text{ mm}</math> <math>\varnothing 0.55''</math></p> <p>Total no. = 1</p>	<p><b>6</b>  = Fibre</p> <p><math>\varnothing 105 \text{ mm}</math> <math>\varnothing 4.13''</math></p> <p>Total no. = 1</p>
<p><b>7</b>  = Fibre</p> <p><math>\varnothing 76 \text{ mm}</math> <math>\varnothing 2.99''</math></p> <p>Total no. = 2</p>	<p><b>8</b>  = Fibre</p> <p><math>\varnothing 92 \text{ mm}</math> <math>\varnothing 3.62''</math></p> <p>Total no. = 1</p>	<p><b>9</b>  = Alu.</p> <p><math>\varnothing 32 \text{ mm}</math> <math>\varnothing 1.26''</math></p> <p>Total no. = 1</p>	<p><b>10</b>  = Alu.</p> <p><math>\varnothing 22 \text{ mm}</math> <math>\varnothing 0.87''</math></p> <p>Total no. = 1</p>	<p><b>11</b>  = Alu.</p> <p><math>\varnothing 80 \text{ mm}</math> <math>\varnothing 3.15''</math></p> <p>Total no. = 1</p>	<p><b>12</b>  = Fibre</p> <p><math>\varnothing 50 \text{ mm}</math> <math>\varnothing 1.98''</math></p> <p><math>\varnothing 60 \text{ mm}</math> <math>\varnothing 2.35''</math></p> <p>Total no. = 1</p>
<p><b>13</b>  = Alu.</p> <p><math>\varnothing 32 \text{ mm}</math> <math>\varnothing 1.28''</math></p> <p><math>\varnothing 39 \text{ mm}</math> <math>\varnothing 1.53''</math></p> <p>Total no. = 1</p>	<p><b>14</b>  = Alu.</p> <p><math>\varnothing 65 \text{ mm}</math> <math>\varnothing 2.57''</math></p> <p><math>\varnothing 73 \text{ mm}</math> <math>\varnothing 2.89''</math></p> <p>Total no. = 1</p>				

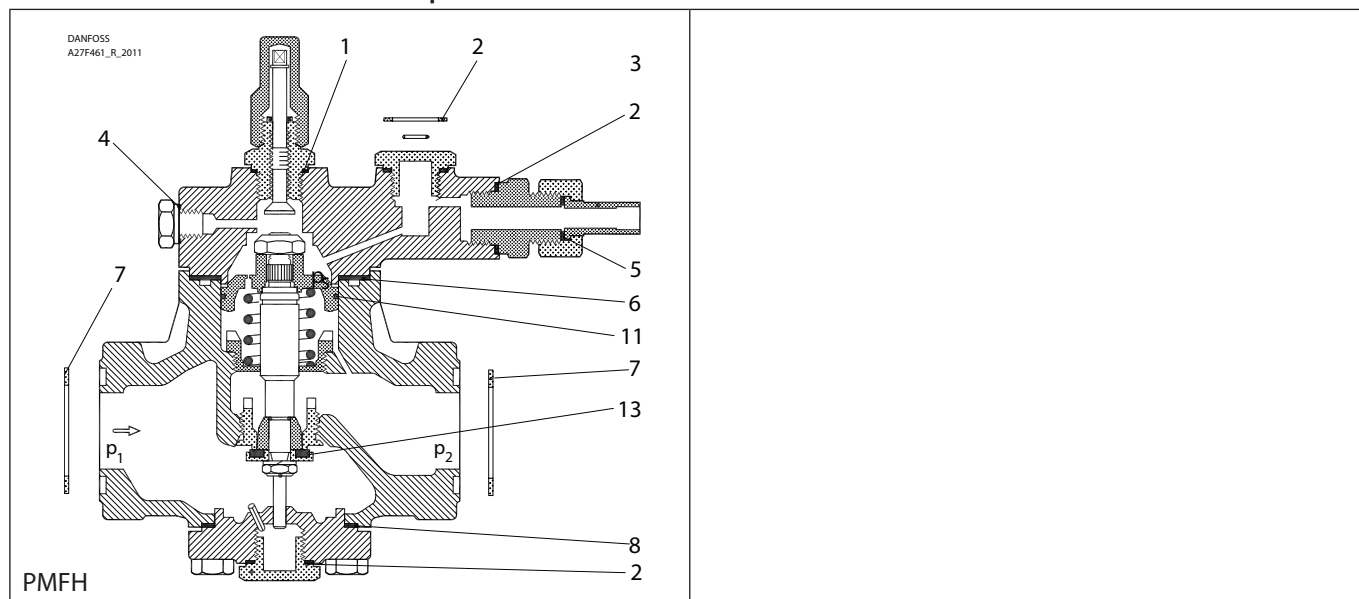
Data sheet – Spare parts and accessories

Repair kit | Code number 027F3155  
 PM, PML/X, MRV, size 65 | MEV, PMFH, size 500



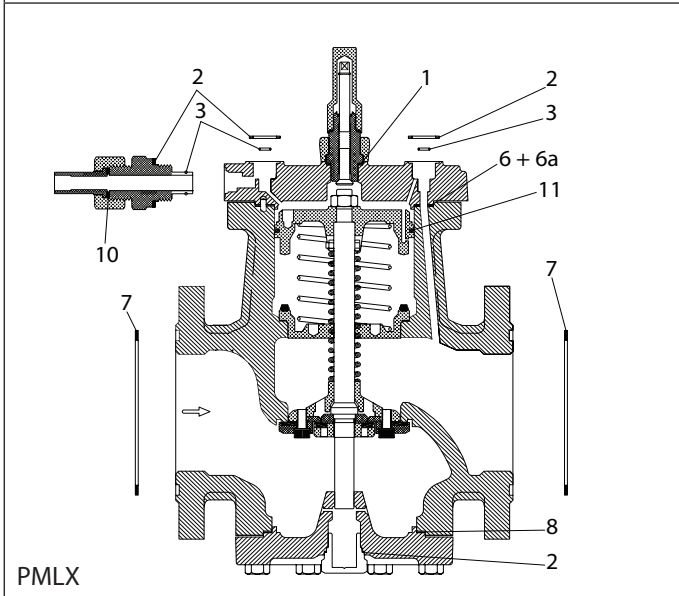
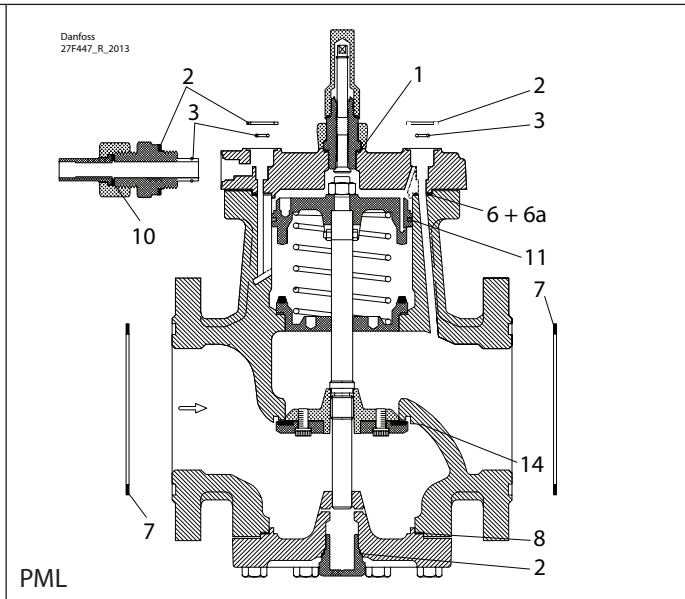
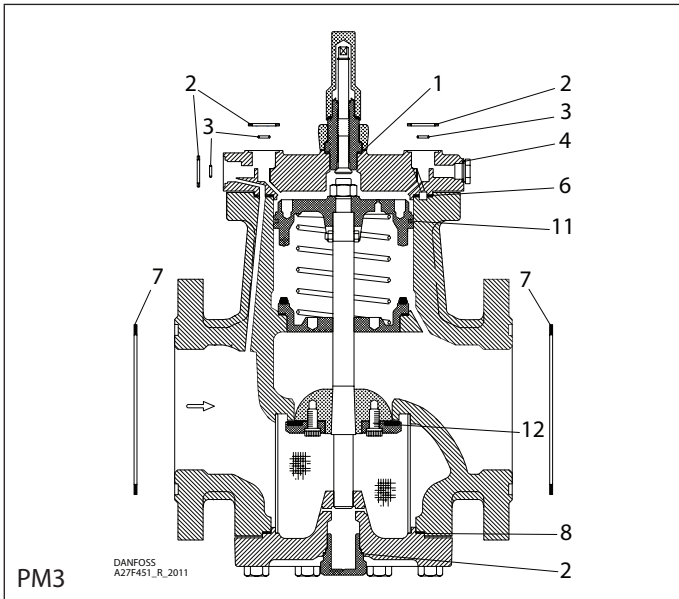
Data sheet – Spare parts and accessories

Repair kit | Code number 027F3155  
 PM, PML/X, MRV, size 65 | MEV, PMFH, size 500



<p><b>1</b>  = Alu.</p> <p><math>\varnothing 26 \text{ mm}</math> <math>\varnothing 1.02''</math></p> <p>Total no. = 1</p>	<p><b>2</b>  = Fibre</p> <p><math>\varnothing 33 \text{ mm}</math> <math>\varnothing 1.28''</math></p> <p>Total no. = 4</p>	<p><b>3</b>  = Alu.</p> <p><math>\varnothing 9 \text{ mm}</math> <math>\varnothing 0.36''</math></p> <p>Total no. = 3</p>	<p><b>4</b>  = Alu.</p> <p><math>\varnothing 18 \text{ mm}</math> <math>\varnothing 0.70''</math></p> <p>Total no. = 1</p>	<p><b>5</b>  = Alu.</p> <p><math>\varnothing 14 \text{ mm}</math> <math>\varnothing 0.55''</math></p> <p>Total no. = 1</p>	<p><b>6</b>  = Fibre</p> <p><math>\varnothing 127 \text{ mm}</math> <math>\varnothing 5''</math></p> <p>Total no. = 1</p>
<p><b>7</b>  = Fibre</p> <p><math>\varnothing 87 \text{ mm}</math> <math>\varnothing 3.43''</math></p> <p>Total no. = 2</p>	<p><b>8</b>  = Fibre</p> <p><math>\varnothing 112 \text{ mm}</math> <math>\varnothing 4.41''</math></p> <p>Total no. = 1</p>	<p><b>9</b>  = Alu.</p> <p><math>\varnothing 32 \text{ mm}</math> <math>\varnothing 1.26''</math></p> <p>Total no. = 1</p>	<p><b>10</b>  = Alu.</p> <p><math>\varnothing 22 \text{ mm}</math> <math>\varnothing 0.87''</math></p> <p>Total no. = 1</p>	<p><b>11</b>  = Alu.</p> <p><math>\varnothing 100 \text{ mm}</math> <math>\varnothing 3.94''</math></p> <p>Total no. = 1</p>	<p><b>12</b>  = Fibre</p> <p><math>\varnothing 65 \text{ mm}</math> <math>\varnothing 2.57''</math></p> <p><math>\varnothing 73 \text{ mm}</math> <math>\varnothing 2.89''</math></p> <p>Total no. = 1</p>
<p><b>13</b>  = Alu.</p> <p><math>\varnothing 42 \text{ mm}</math> <math>\varnothing 1.67''</math></p> <p><math>\varnothing 50 \text{ mm}</math> <math>\varnothing 1.97''</math></p> <p>Total no. = 1</p>	<p><b>14</b>  = Alu.</p> <p><math>\varnothing 76 \text{ mm}</math> <math>\varnothing 3.01''</math></p> <p><math>\varnothing 86 \text{ mm}</math> <math>\varnothing 3.38''</math></p> <p>Total no. = 1</p>				

Data sheet – Spare parts and accessories  
**Repair kit | Code number 027F3156**  
**PM, PML/X, size 80**



Data sheet – Spare parts and accessories

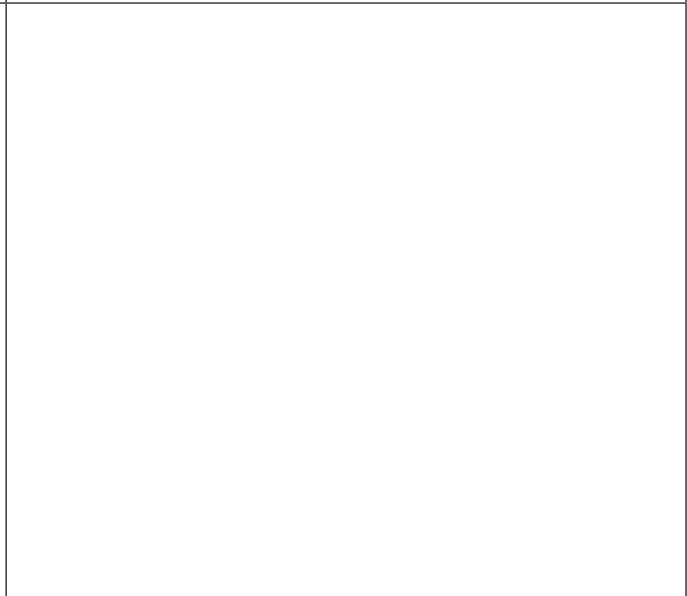
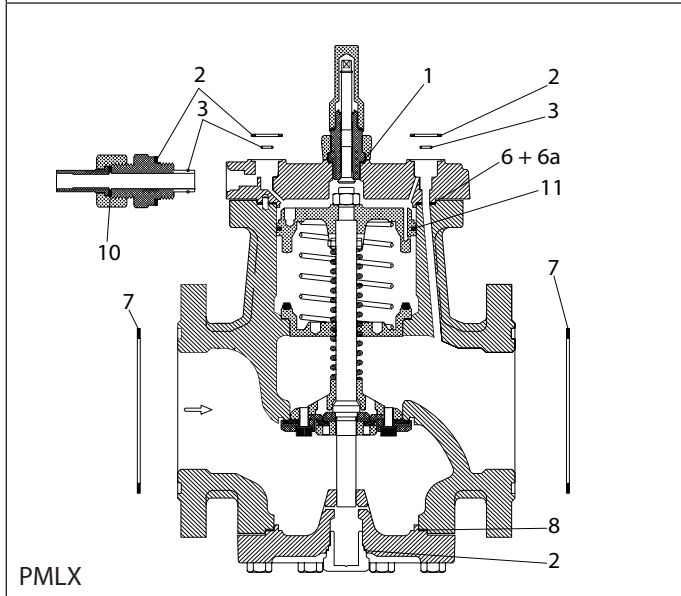
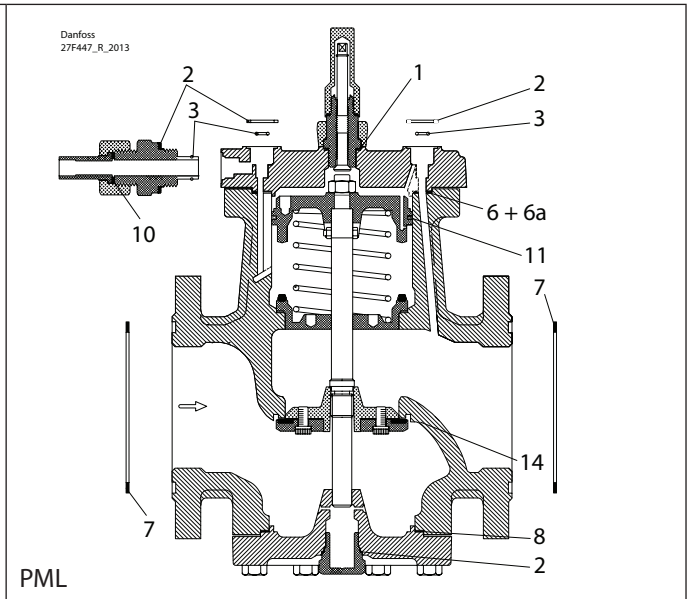
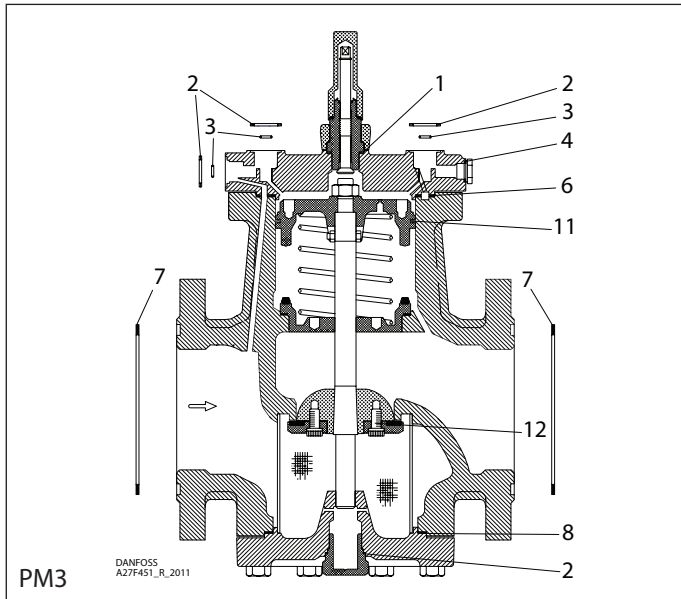
Repair kit | Code number 027F3156  
PM, PML/X, size 80

<p><b>1</b></p> <p> = Alu.</p> <p>Ø26 mm Ø1.02"</p> <p>Total no. = 1</p>	<p><b>2</b></p> <p> = Fibre</p> <p>Ø33 mm Ø1.28"</p> <p>Total no. = 4</p>	<p><b>3</b></p> <p></p> <p>Ø9 mm Ø0.36"</p> <p>Total no. = 3</p>	<p><b>4</b></p> <p> = Alu.</p> <p>Ø18 mm Ø0.70"</p> <p>Total no. = 1</p>	<p><b>5*</b></p> <p> = Alu.</p> <p>Ø14 mm Ø0.55"</p> <p>Total no. = 1</p>	<p><b>6</b></p> <p> = Fibre</p> <p>Ø154 mm Ø6.06"</p> <p>Total no. = 1</p>
<p><b>6a</b></p> <p> = Fibre</p> <p>Ø154 mm Ø6.06"</p> <p>Total no. = 1</p>	<p><b>7</b></p> <p> = Fibre</p> <p>Ø149 mm Ø5.87"</p> <p>Total no. = 2</p>	<p><b>8*</b></p> <p> = Fibre</p> <p>Ø134 mm Ø5.28"</p> <p>Total no. = 1</p>	<p><b>9</b></p> <p> = Alu.</p> <p>Ø32 mm Ø1.26"</p> <p>Total no. = 1</p>	<p><b>10</b></p> <p> = Alu.</p> <p>Ø22 mm Ø0.87"</p> <p>Total no. = 1</p>	<p><b>11</b></p> <p></p> <p>Ø120 mm Ø4.72"</p> <p>Total no. = 1</p>
<p><b>12</b></p> <p></p> <p>Ø90 mm Ø3.54"</p> <p>Total no. = 1</p>	<p><b>14</b></p> <p></p> <p>Ø95 mm Ø3.73"</p> <p>Total no. = 1</p>				

\* The spare part is included in the package but is not used for PM, PML/X 80.



Data sheet – Spare parts and accessories  
 Repair kit | Code number 027F3157  
 PM, PML/X, size 100





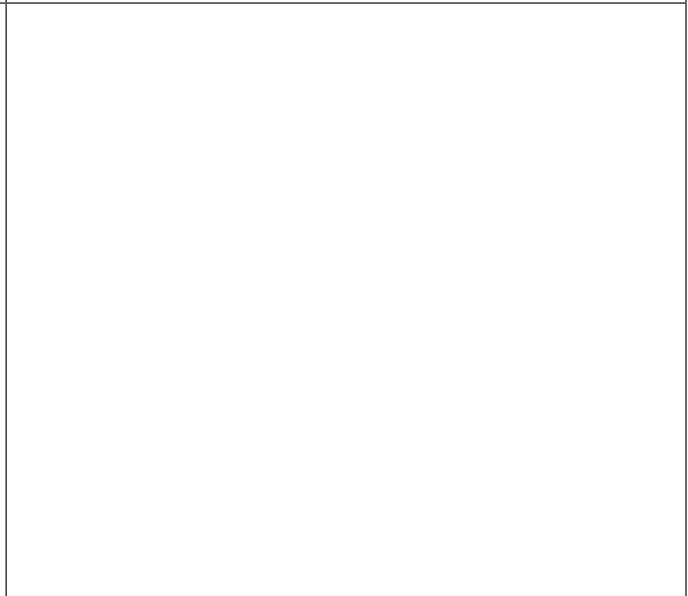
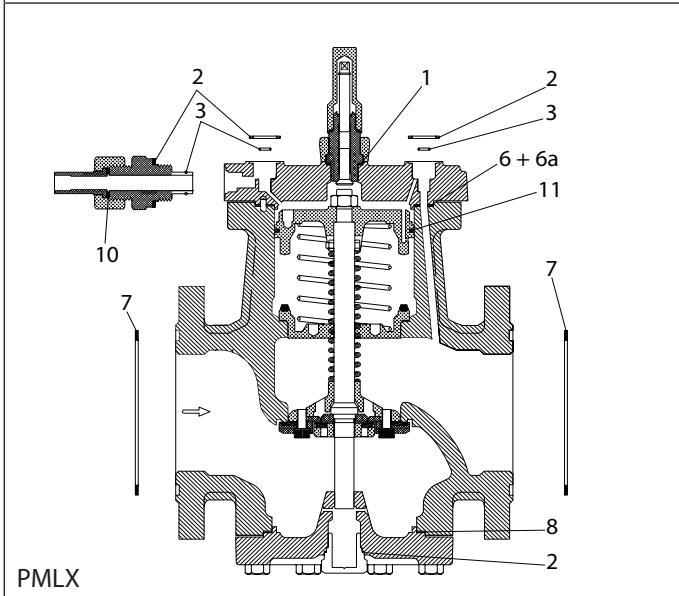
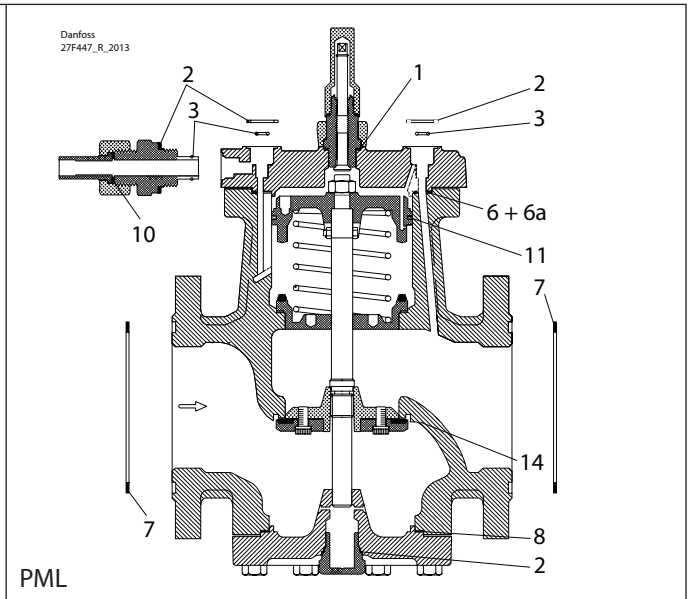
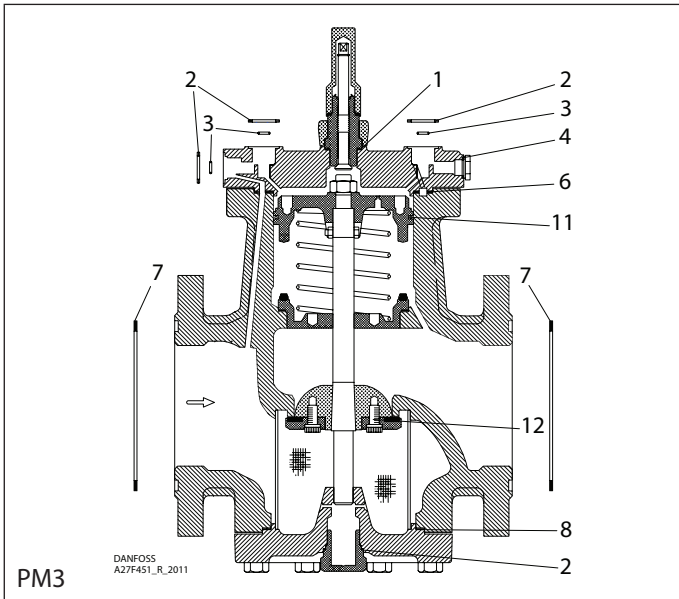
Data sheet – Spare parts and accessories

Repair kit | Code number 027F3157  
PM, PML/X, size 100

<p><b>1</b></p> <p> = Alu.</p> <p>Ø26 mm Ø1.02"</p> <p>Total no. = 1</p>	<p><b>2</b></p> <p> = Fibre</p> <p>Ø33 mm Ø1.28"</p> <p>Total no. = 4</p>	<p><b>3</b></p> <p></p> <p>Ø9 mm Ø0.36"</p> <p>Total no. = 3</p>	<p><b>4</b></p> <p> = Alu.</p> <p>Ø18 mm Ø0.70"</p> <p>Total no. = 1</p>	<p><b>5*</b></p> <p> = Alu.</p> <p>Ø14 mm Ø0.55"</p> <p>Total no. = 1</p>	<p><b>6</b></p> <p> = Fibre</p> <p>Ø185 mm Ø7.28"</p> <p>Total no. = 1</p>
<p><b>6a</b></p> <p> = Fibre</p> <p>Ø185 mm Ø7.28"</p> <p>Total no. = 1</p>	<p><b>7</b></p> <p> = Fibre</p> <p>Ø175 mm Ø6.89"</p> <p>Total no. = 2</p>	<p><b>8*</b></p> <p> = Fibre</p> <p>Ø168 mm Ø6.61"</p> <p>Total no. = 1</p>	<p><b>9</b></p> <p> = Alu.</p> <p>Ø32 mm Ø1.26"</p> <p>Total no. = 1</p>	<p><b>10</b></p> <p> = Alu.</p> <p>Ø22 mm Ø0.87"</p> <p>Total no. = 1</p>	<p><b>11</b></p> <p></p> <p>Ø145 mm Ø5.71"</p> <p>Total no. = 1</p>
<p><b>12</b></p> <p></p> <p>Ø115 mm Ø4.5"</p> <p>Total no. = 1</p>	<p><b>14</b></p> <p></p> <p>Ø132 mm Ø5.18"</p> <p>Total no. = 1</p>				

\* The spare part is included in the package but is not used for PM, PML/X 100.

Data sheet – Spare parts and accessories  
**Repair kit | Code number 027F3158**  
**PM, PML/X, size 125**



Data sheet – Spare parts and accessories

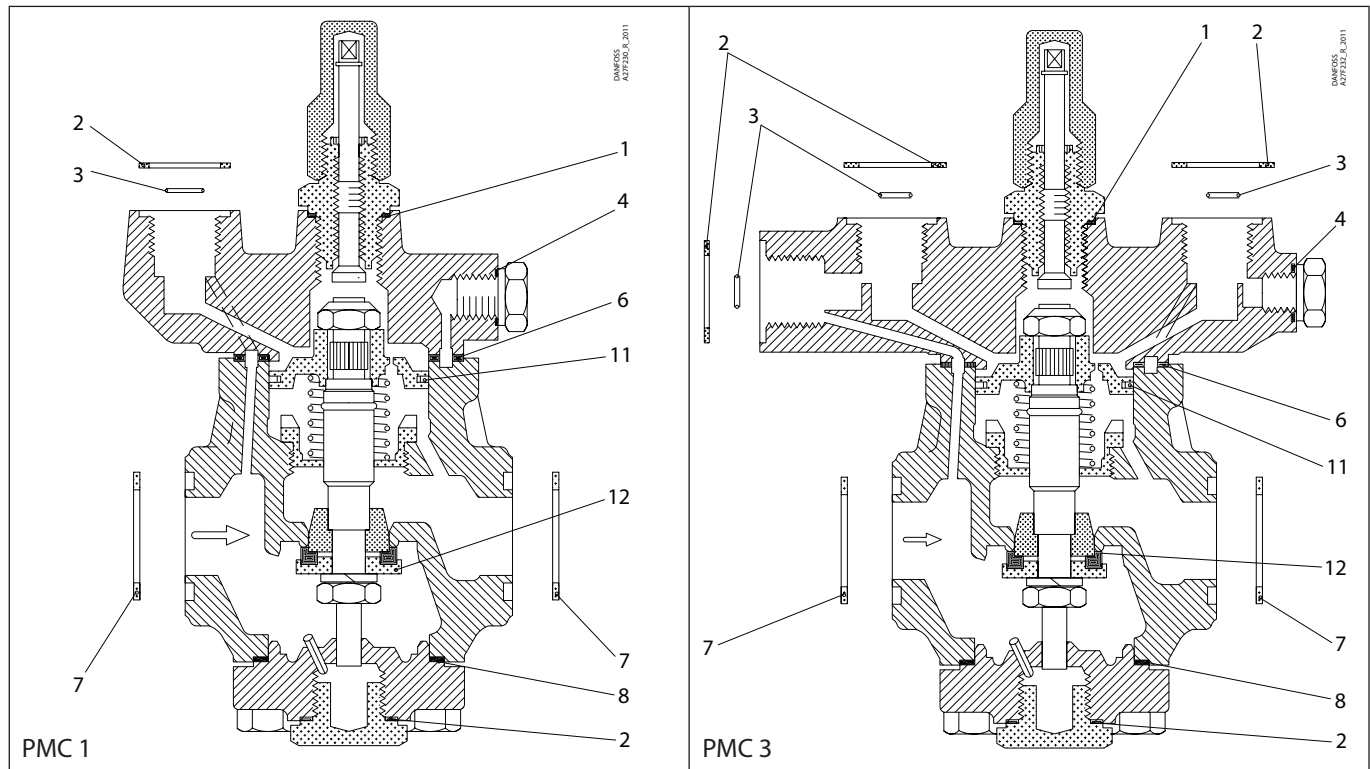
Repair kit | Code number 027F3158  
PM, PML/X, size 125

<p><b>1</b></p> <p> = Alu.</p> <p>Total no. = 1</p>	<p><b>2</b></p> <p> = Fibre</p> <p>Total no. = 4</p>	<p><b>3</b></p> <p>Total no. = 3</p>	<p><b>4</b></p> <p> = Alu.</p> <p>Total no. = 1</p>	<p><b>5*</b></p> <p> = Alu.</p> <p>Total no. = 1</p>	<p><b>6</b></p> <p> = Fibre</p> <p>Total no. = 1</p>
<p><b>6a</b></p> <p> = Fibre</p> <p>Total no. = 1</p>	<p><b>7</b></p> <p> = Fibre</p> <p>Total no. = 2</p>	<p><b>8*</b></p> <p> = Fibre</p> <p>Total no. = 1</p>	<p><b>9</b></p> <p> = Alu.</p> <p>Total no. = 1</p>	<p><b>10</b></p> <p> = Alu.</p> <p>Total no. = 1</p>	<p><b>11</b></p> <p>Total no. = 1</p>
<p><b>12</b></p> <p>Total no. = 1</p>	<p><b>14</b></p> <p>Total no. = 1</p>				

\* The spare part is included in the package but is not used for PM, PML/X 125.

Data sheet – Spare parts and accessories

Repair kit | Code number 027F0555  
 PMC, size 20-5, 20-8, 20-12 and 20-20

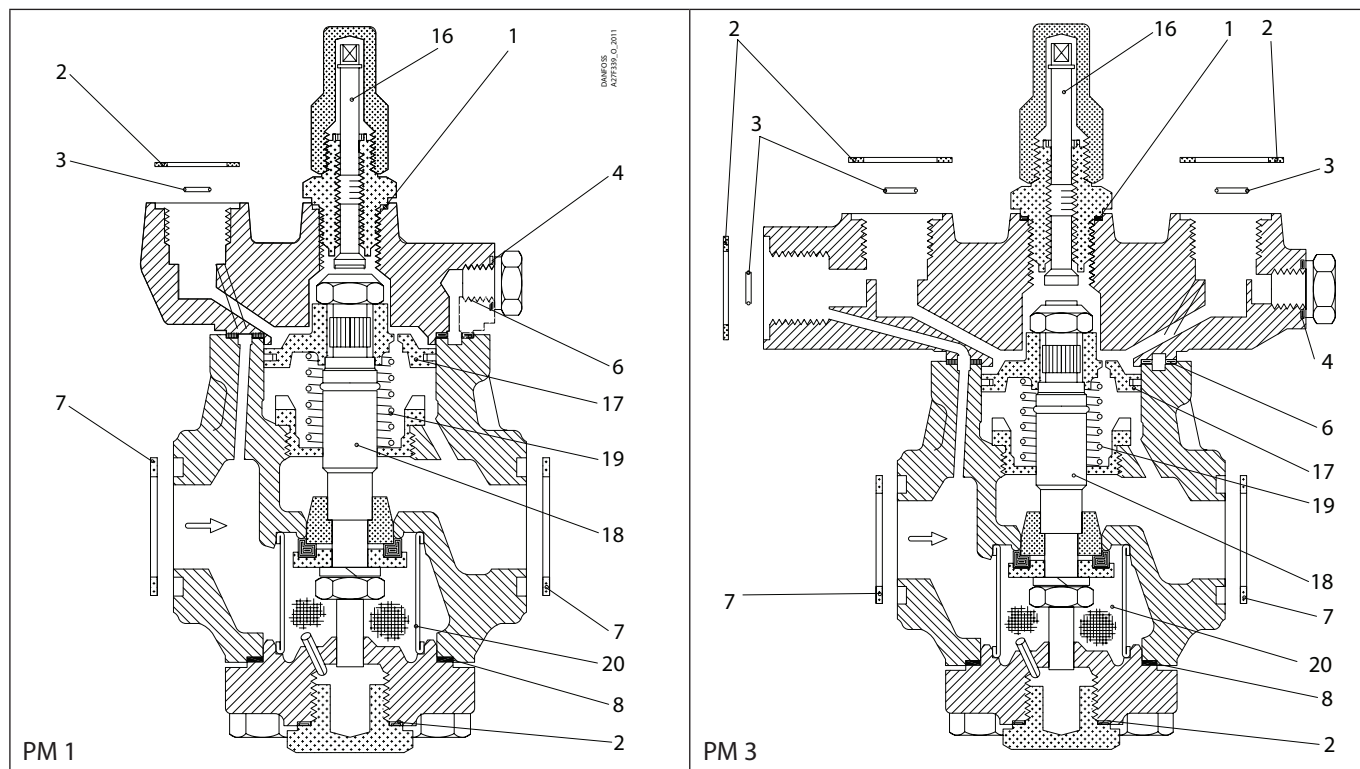


<p><b>1</b>  = Alu.</p> <p>Total no. = 1</p>	<p><b>2</b>  = Fibre</p> <p>Total no. = 4</p>	<p><b>3</b> </p> <p>Total no. = 3</p>	<p><b>4</b>  = Alu.</p> <p>Total no. = 1</p>	<p><b>5*</b>  = Alu.</p> <p>Total no. = 1</p>	<p><b>6</b>  = Fibre</p> <p>Total no. = 1</p>
<p><b>7</b>  = Fibre</p> <p>Total no. = 2</p>	<p><b>8</b>  = Fibre</p> <p>Total no. = 1</p>	<p><b>9*</b>  = Alu.</p> <p>Total no. = 1</p>	<p><b>10*</b>  = Alu.</p> <p>Total no. = 1</p>	<p><b>11</b> </p> <p>Total no. = 1</p>	<p><b>12</b> </p> <p>Total no. = 1</p>

\* The spare part is included in the package but is not used for PMC 1 and 3.

Data sheet – Spare parts and accessories

Overhaul kit | Code number 027F3370  
PM, size 20

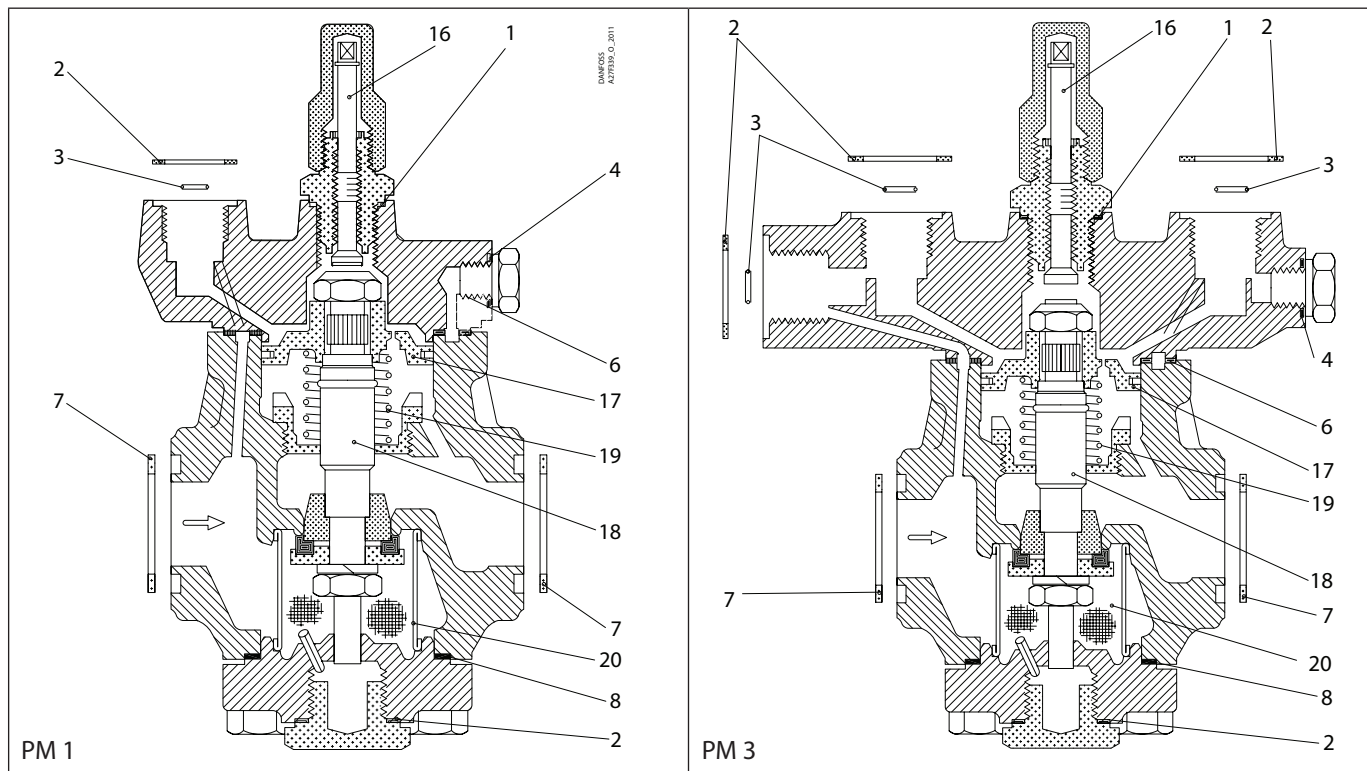


<p><b>1</b></p> <p> = Alu.</p> <p>Ø26 mm Ø1.02"</p> <p>Total no. = 1</p>	<p><b>2</b></p> <p> = Fibre</p> <p>Ø33 mm Ø1.28"</p> <p>Total no. = 4</p>	<p><b>3</b></p> <p> = Alu.</p> <p>Ø9 mm Ø0.36"</p> <p>Total no. = 3</p>	<p><b>4</b></p> <p> = Alu.</p> <p>Ø18 mm Ø0.70"</p> <p>Total no. = 1</p>	<p><b>5*</b></p> <p> = Alu.</p> <p>Ø14 mm Ø0.55"</p> <p>Total no. = 1</p>	<p><b>6</b></p> <p> = Fibre</p> <p>Ø75 mm Ø2.95"</p> <p>Total no. = 1</p>
<p><b>7</b></p> <p> = Fibre</p> <p>Ø39 mm Ø1.54"</p> <p>Total no. = 2</p>	<p><b>8</b></p> <p> = Fibre</p> <p>Ø60 mm Ø2.36"</p> <p>Total no. = 1</p>	<p><b>9*</b></p> <p> = Alu.</p> <p>Ø32 mm Ø1.26"</p> <p>Total no. = 1</p>	<p><b>10*</b></p> <p> = Alu.</p> <p>Ø22 mm Ø0.87"</p> <p>Total no. = 1</p>	<p><b>16</b></p> <p> = Alu.</p>	<p><b>17</b></p> <p> = Fibre</p> <p>Ø50 mm Ø1.97"</p>
<p><b>18</b></p> <p> = Alu.</p> <p>15 mm 0.59"</p>	<p><b>19</b></p> <p> = Fibre</p> <p>Ø26 mm Ø1.04"</p> <p>Total no. = 1</p>	<p><b>20</b></p> <p> = Fibre</p> <p>Ø44 mm Ø1.73"</p> <p>Total no. = 1</p>			

\* The spare part is included in the package but is not used for PM 1 or PM 3..

Data sheet – Spare parts and accessories

Overhaul kit | Code number 027F3371  
PM, size 25

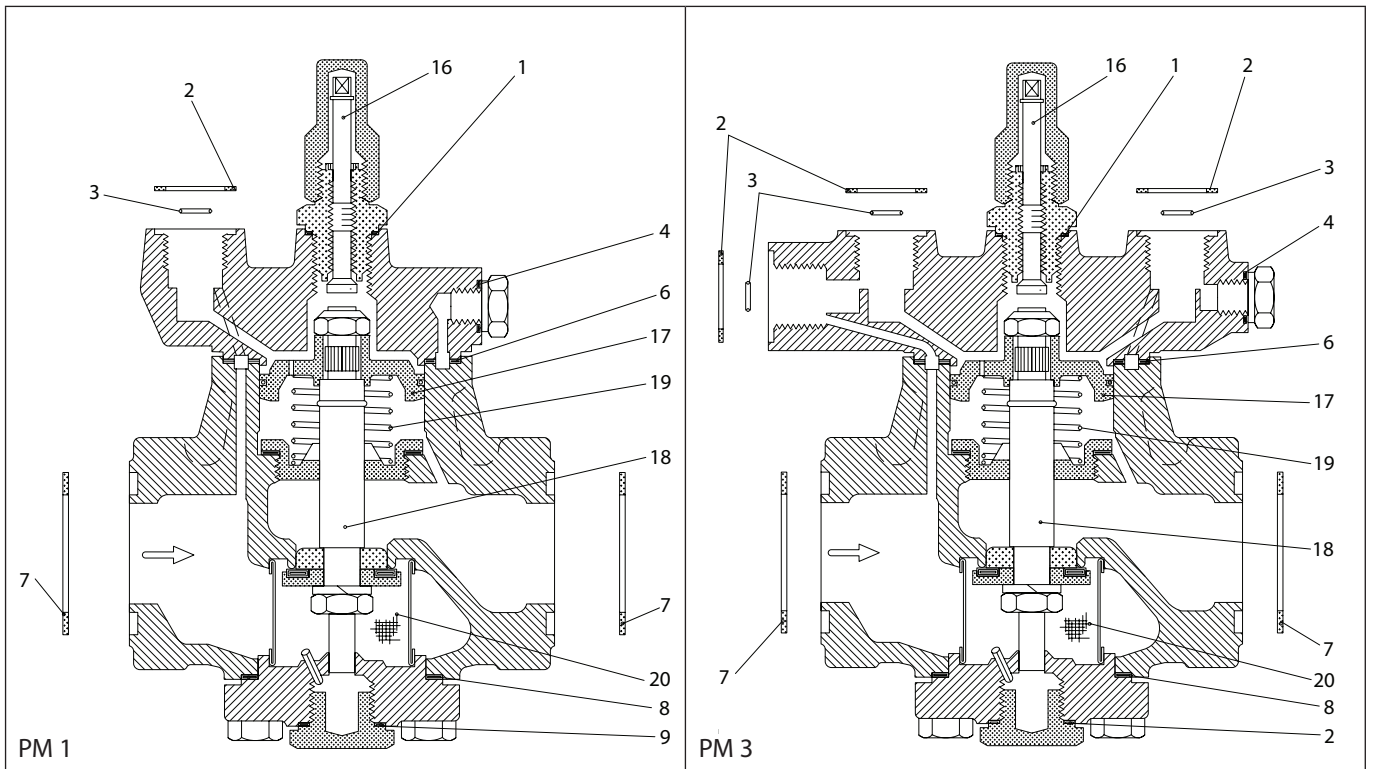


<p><b>1</b></p> <p> = Alu.</p> <p>Ø26 mm Ø1.02"</p> <p>Total no. = 1</p>	<p><b>2</b></p> <p> = Fibre</p> <p>Ø33 mm Ø1.28"</p> <p>Total no. = 4</p>	<p><b>3</b></p> <p></p> <p>Ø9 mm Ø0.36"</p> <p>Total no. = 3</p>	<p><b>4</b></p> <p> = Alu.</p> <p>Ø18 mm Ø0.70"</p> <p>Total no. = 1</p>	<p><b>5*</b></p> <p> = Alu.</p> <p>Ø14 mm Ø0.55"</p> <p>Total no. = 1</p>	<p><b>6</b></p> <p> = Fibre</p> <p>Ø75 mm Ø2.95"</p> <p>Total no. = 1</p>
<p><b>7</b></p> <p> = Fibre</p> <p>Ø39 mm Ø1.54"</p> <p>Total no. = 2</p>	<p><b>8</b></p> <p> = Fibre</p> <p>Ø60 mm Ø2.36"</p> <p>Total no. = 1</p>	<p><b>9*</b></p> <p> = Alu.</p> <p>Ø32 mm Ø1.26"</p> <p>Total no. = 1</p>	<p><b>10*</b></p> <p> = Alu.</p> <p>Ø22 mm Ø0.87"</p> <p>Total no. = 1</p>	<p><b>16</b></p> <p>1 mm 0.43"</p>	<p><b>17</b></p> <p>Ø50 mm Ø1.97"</p>
<p><b>18</b></p> <p>1 mm 0.43"</p>	<p><b>19</b></p> <p>Ø26 mm Ø1.04"</p> <p>Total no. = 1</p>	<p><b>20</b></p> <p>Ø44 mm Ø1.73"</p> <p>Total no. = 1</p>			

\* The spare part is included in the package but is not used for PM 1 or PM 3..

Data sheet – Spare parts and accessories

**Overhaul kit | Code number 027F3373**  
**PM, size 32 - standard cone**

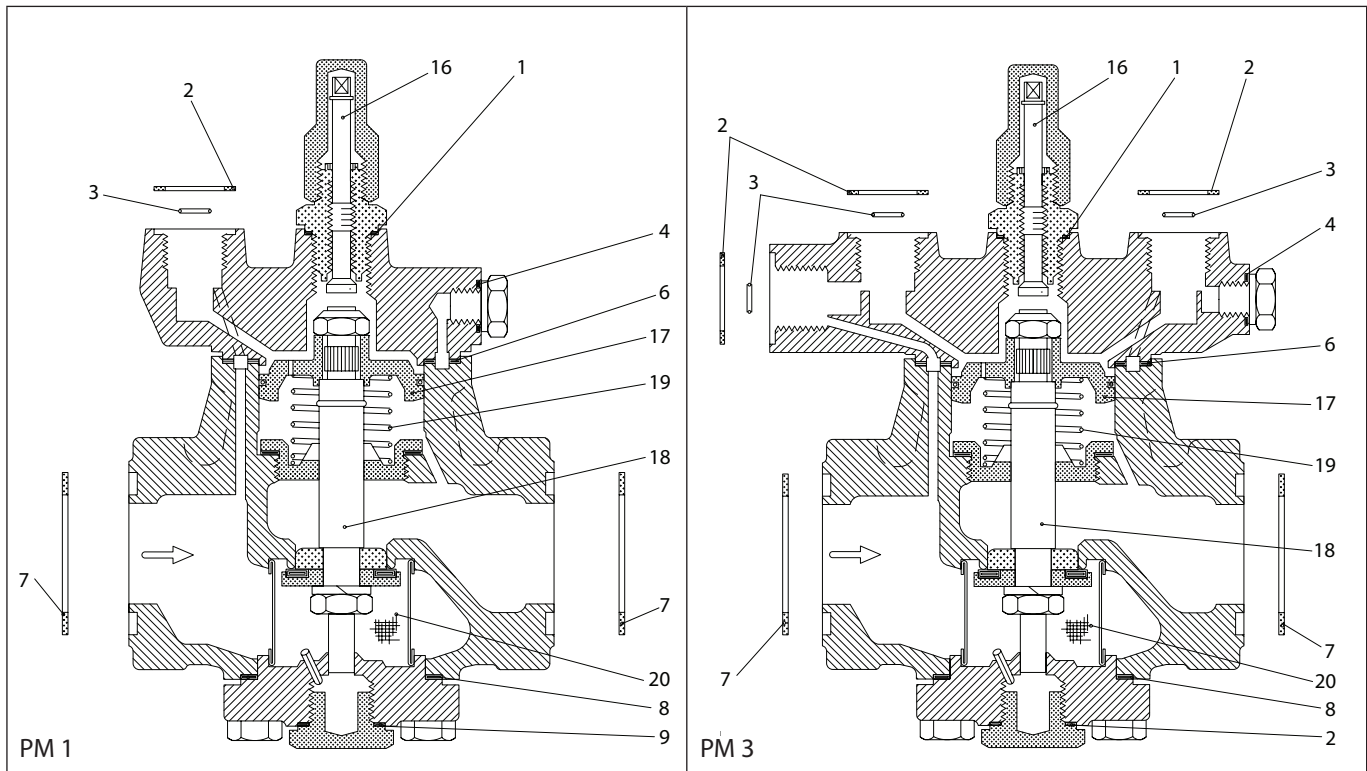


<p><b>1</b></p> <p>Alu.</p> <p>Ø26 mm Ø1.02"</p> <p>Total no. = 1</p>	<p><b>2</b></p> <p>Fibre</p> <p>Ø33 mm Ø1.28"</p> <p>Total no. = 4</p>	<p><b>3</b></p> <p>Ø9 mm Ø0.36"</p> <p>Total no. = 3</p>	<p><b>4</b></p> <p>Alu.</p> <p>Ø18 mm Ø0.70"</p> <p>Total no. = 1</p>	<p><b>5*</b></p> <p>Alu.</p> <p>Ø14 mm Ø0.55"</p> <p>Total no. = 1</p>	<p><b>6</b></p> <p>Fibre</p> <p>Ø85 mm Ø3.35"</p> <p>Total no. = 1</p>
<p><b>7</b></p> <p>Fibre</p> <p>Ø58 mm Ø2.28"</p> <p>Total no. = 2</p>	<p><b>8</b></p> <p>Fibre</p> <p>Ø70 mm Ø2.76"</p> <p>Total no. = 1</p>	<p><b>9</b></p> <p>Alu.</p> <p>Ø32 mm Ø1.26"</p> <p>Total no. = 1</p>	<p><b>10*</b></p> <p>Alu.</p> <p>Ø22 mm Ø0.87"</p> <p>Total no. = 1</p>	<p><b>16</b></p>	<p><b>17</b></p> <p>Ø60 mm Ø2.36"</p>
<p><b>18</b></p> <p>Ø32 mm Ø1.26"</p>	<p><b>19</b></p> <p>Ø38 mm Ø1.48"</p> <p>Total no. = 1</p>	<p><b>20</b></p> <p>Ø51 mm Ø2.0"</p> <p>Total no. = 1</p>			

\* The spare part is included in the package but is not used for PM 1 or PM 3 with standard cone.

Data sheet – Spare parts and accessories

**Overhaul kit | Code number 027F3374**  
**PM, size 40 - standard cone**



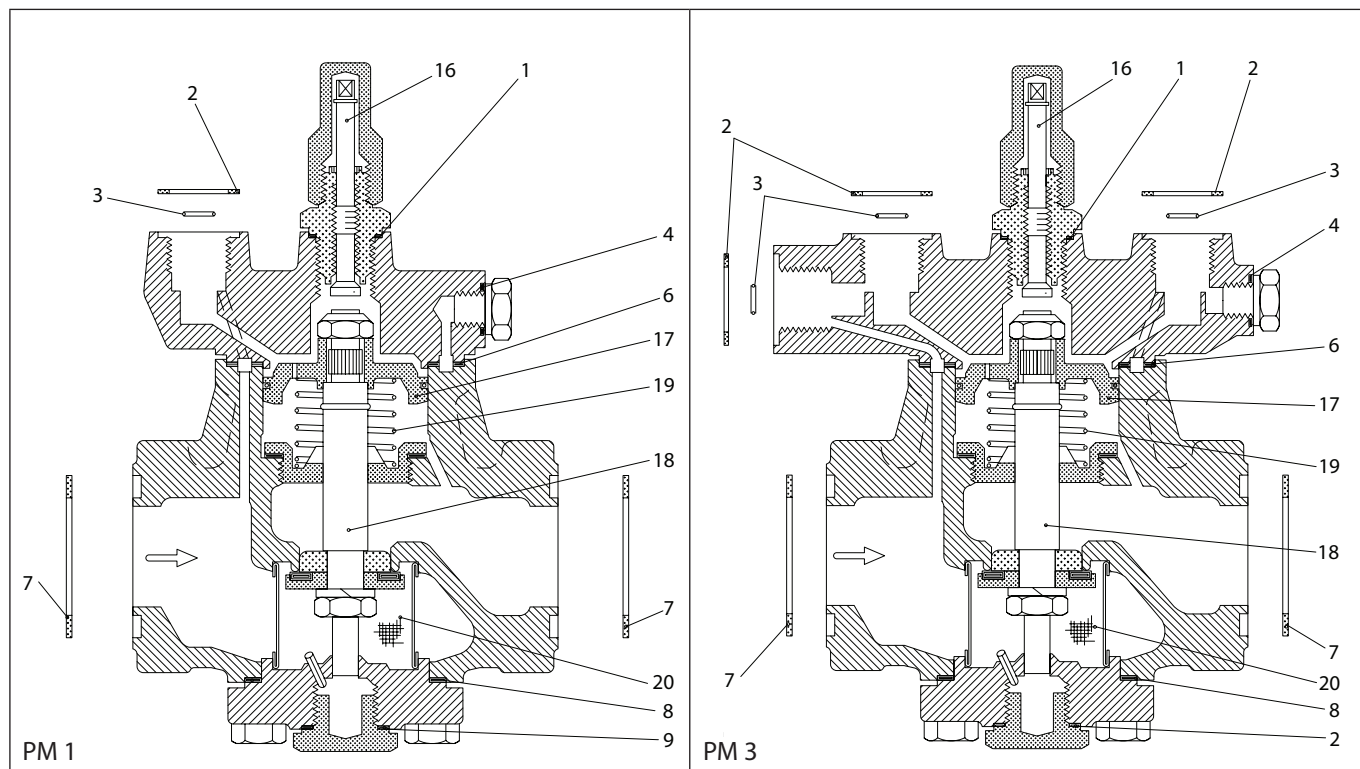
<p><b>1</b></p> <p>▨ = Alu.</p> <p>Ø26 mm Ø1.02"</p> <p>Total no. = 1</p>	<p><b>2</b></p> <p>▨ = Fibre</p> <p>Ø33 mm Ø1.28"</p> <p>Total no. = 4</p>	<p><b>3</b></p> <p>Ø9 mm Ø0.36"</p> <p>Total no. = 3</p>	<p><b>4</b></p> <p>▨ = Alu.</p> <p>Ø18 mm Ø0.70"</p> <p>Total no. = 1</p>	<p><b>5*</b></p> <p>▨ = Alu.</p> <p>Ø14 mm Ø0.55"</p> <p>Total no. = 1</p>	<p><b>6</b></p> <p>▨ = Fibre</p> <p>Ø93 mm Ø3.66"</p> <p>Total no. = 1</p>
<p><b>7</b></p> <p>▨ = Fibre</p> <p>Ø65 mm Ø2.56"</p> <p>Total no. = 2</p>	<p><b>8</b></p> <p>▨ = Fibre</p> <p>Ø78 mm Ø3.07"</p> <p>Total no. = 1</p>	<p><b>9</b></p> <p>▨ = Alu.</p> <p>Ø32 mm Ø1.26"</p> <p>Total no. = 1</p>	<p><b>10*</b></p> <p>▨ = Alu.</p> <p>Ø22 mm Ø0.87"</p> <p>Total no. = 1</p>	<p><b>16</b></p>	<p><b>17</b></p> <p>Ø68 mm Ø2.68"</p>
<p><b>18</b></p> <p>Ø42 mm Ø1.65"</p>	<p><b>19</b></p> <p>Ø40 mm Ø1.57"</p> <p>Total no. = 1</p>	<p><b>20</b></p> <p>Ø62 mm Ø2.44"</p> <p>Total no. = 1</p>			

\* The spare part is included in the package but is not used for PM 1 or PM 3 with standard cone.



Data sheet – Spare parts and accessories

Overhaul kit | Code number 027F3375  
PM, size 50 - standard cone

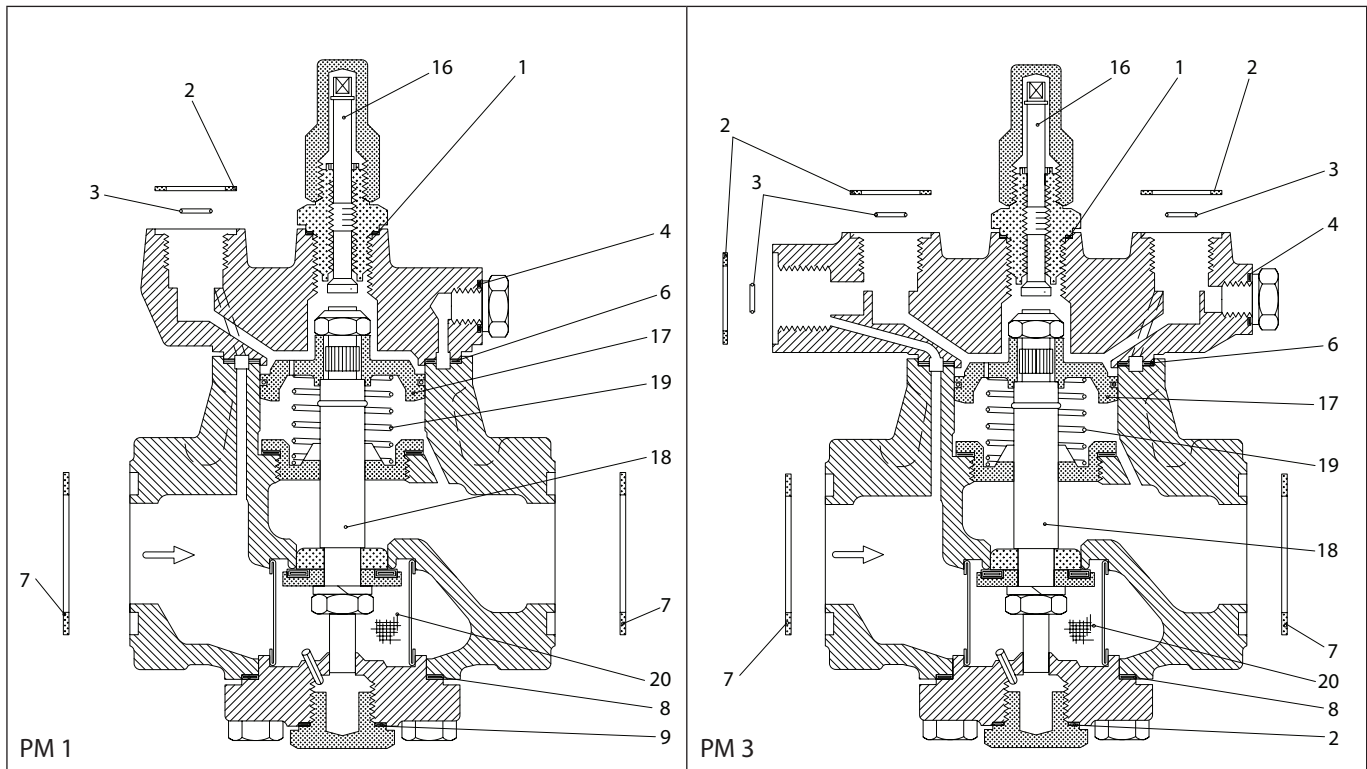


<p><b>1</b></p> <p>▨ = Alu.</p> <p>Total no. = 1</p>	<p><b>2</b></p> <p>▨ = Fibre</p> <p>Total no. = 4</p>	<p><b>3</b></p> <p>Total no. = 3</p>	<p><b>4</b></p> <p>▨ = Alu.</p> <p>Total no. = 1</p>	<p><b>5*</b></p> <p>▨ = Alu.</p> <p>Total no. = 1</p>	<p><b>6</b></p> <p>▨ = Fibre</p> <p>Total no. = 1</p>
<p><b>7</b></p> <p>▨ = Fibre</p> <p>Total no. = 2</p>	<p><b>8</b></p> <p>▨ = Fibre</p> <p>Total no. = 1</p>	<p><b>9</b></p> <p>▨ = Alu.</p> <p>Total no. = 1</p>	<p><b>10*</b></p> <p>▨ = Alu.</p> <p>Total no. = 1</p>	<p><b>16</b></p>	<p><b>17</b></p>
<p><b>18</b></p>	<p><b>19</b></p> <p>Total no. = 1</p>	<p><b>20</b></p> <p>Total no. = 1</p>			

\* The spare part is included in the package but is not used for PM 1 or PM 3 with standard cone.

Data sheet – Spare parts and accessories

**Overhaul kit | Code number 027F3376**  
**PM, size 65 - standard cone**

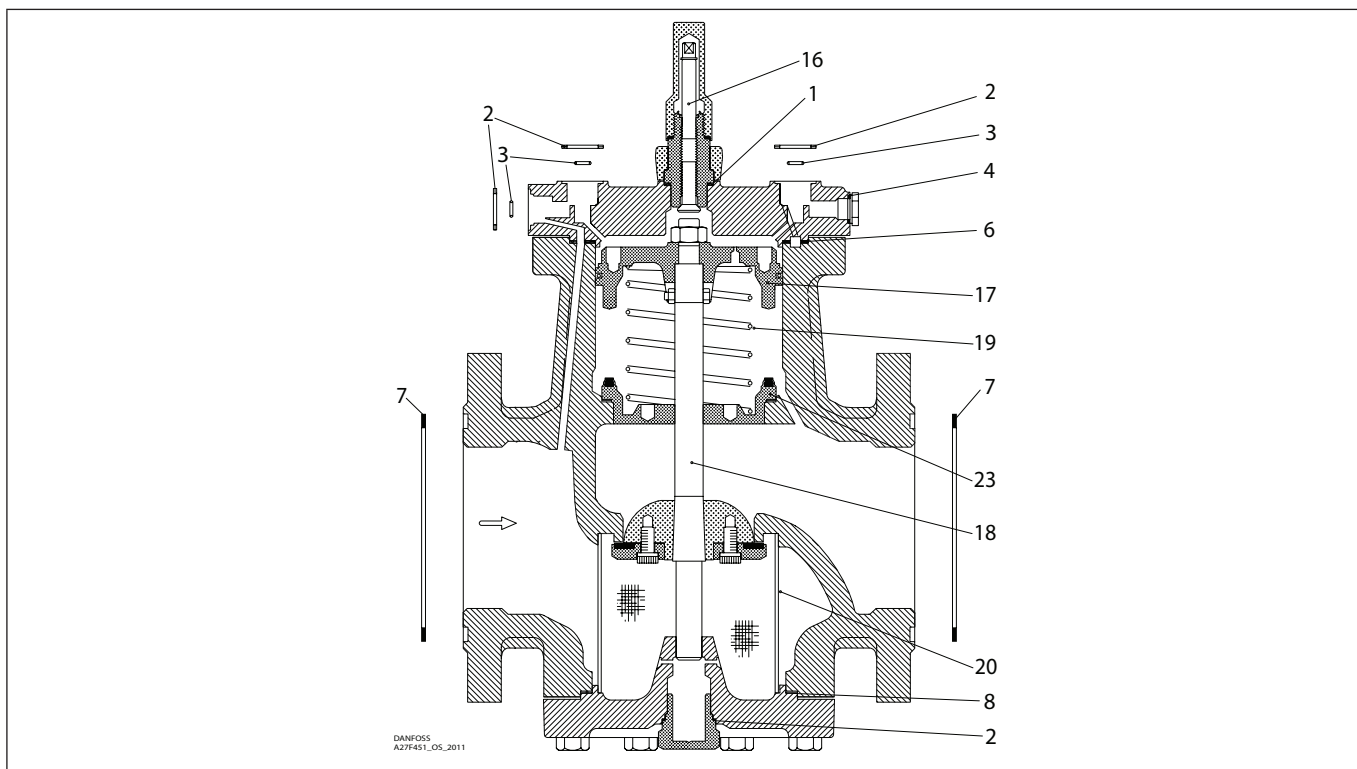


<p><b>1</b></p> <p>▨ = Alu.</p> <p>Ø26 mm Ø1.02"</p> <p>Total no. = 1</p>	<p><b>2</b></p> <p>▨ = Fibre</p> <p>Ø33 mm Ø1.28"</p> <p>Total no. = 4</p>	<p><b>3</b></p> <p>Ø9 mm Ø0.36"</p> <p>Total no. = 3</p>	<p><b>4</b></p> <p>▨ = Alu.</p> <p>Ø18 mm Ø0.70"</p> <p>Total no. = 1</p>	<p><b>5*</b></p> <p>▨ = Alu.</p> <p>Ø14 mm Ø0.55"</p> <p>Total no. = 1</p>	<p><b>6</b></p> <p>▨ = Fibre</p> <p>Ø127 mm Ø5"</p> <p>Total no. = 1</p>
<p><b>7</b></p> <p>▨ = Fibre</p> <p>Ø87 mm Ø3.43"</p> <p>Total no. = 2</p>	<p><b>8</b></p> <p>▨ = Fibre</p> <p>Ø112 mm Ø4.41"</p> <p>Total no. = 1</p>	<p><b>9</b></p> <p>▨ = Alu.</p> <p>Ø32 mm Ø1.26"</p> <p>Total no. = 1</p>	<p><b>10*</b></p> <p>▨ = Alu.</p> <p>Ø22 mm Ø0.87"</p> <p>Total no. = 1</p>	<p><b>16</b></p>	<p><b>17</b></p> <p>Ø105 mm Ø4.13"</p>
<p><b>18</b></p> <p>Ø65 mm Ø2.54"</p>	<p><b>19</b></p> <p>Ø61 mm Ø2.40"</p> <p>Total no. = 1</p>	<p><b>20</b></p> <p>Ø94 mm Ø3.70"</p> <p>Total no. = 1</p>			

\* The spare part is included in the package but is not used for PM 1 or PM 3 with standard cone.

Data sheet – Spare parts and accessories

Overhaul kit | Code number 027F3377  
PM, size 80 - standard cone



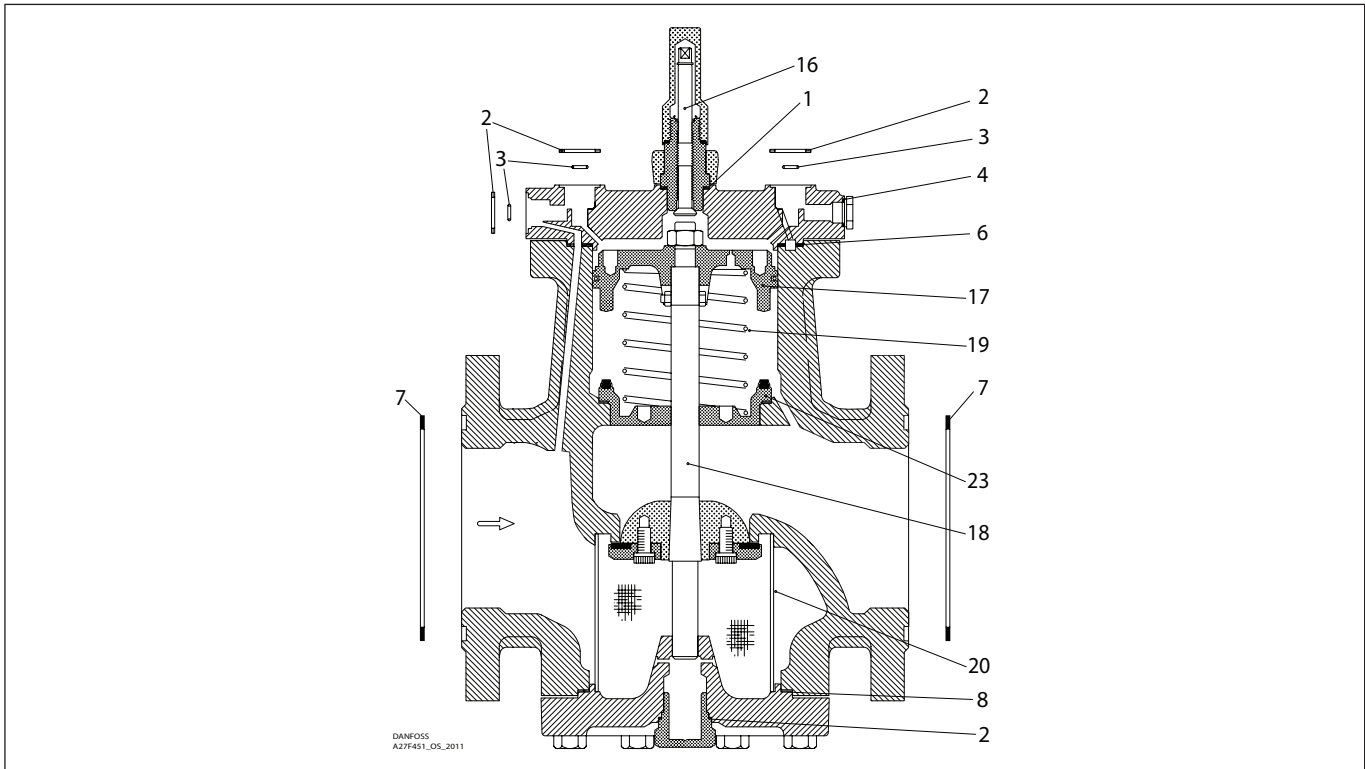
<p><b>1**</b></p> <p> = Fibre</p> <p>Ø38 mm Ø1.5"</p> <p>Total no. = 1</p>	<p><b>2</b></p> <p> = Fibre</p> <p>Ø33 mm Ø1.28"</p> <p>Total no. = 4</p>	<p><b>3</b></p> <p> = Fibre</p> <p>Ø9 mm Ø0.36"</p> <p>Total no. = 3</p>	<p><b>4</b></p> <p> = Alu.</p> <p>Ø18 mm Ø0.70"</p> <p>Total no. = 1</p>	<p><b>5*</b></p> <p> = Alu.</p> <p>Ø14 mm Ø0.55"</p> <p>Total no. = 1</p>	<p><b>6</b></p> <p> = Fibre</p> <p>Ø154 mm Ø6.06"</p> <p>Total no. = 1</p>
<p><b>7</b></p> <p> = Fibre</p> <p>Ø149 mm Ø5.87"</p> <p>Total no. = 2</p>	<p><b>8</b></p> <p> = Fibre</p> <p>Ø134 mm Ø5.28"</p> <p>Total no. = 1</p>	<p><b>9*</b></p> <p> = Alu.</p> <p>Ø32 mm Ø1.26"</p> <p>Total no. = 1</p>	<p><b>10*</b></p> <p> = Alu.</p> <p>Ø22 mm Ø0.87"</p> <p>Total no. = 1</p>	<p><b>16</b></p>	<p><b>17</b></p>
<p><b>18</b></p>	<p><b>19</b></p> <p>Total no. = 1</p>	<p><b>20</b></p> <p>Total no. = 1</p>	<p><b>23</b></p>		

\* The spare part is included in the package but is not used for PM size 80 with standard cone.

\*\* Included in manual opening device.

Data sheet – Spare parts and accessories

**Overhaul kit | Code number 027F3378**  
**PM, size 100 - standard cone**



<p><b>1</b> **</p> <p>▨ = Fibre</p> <p>Total no. = 1</p>	<p><b>2</b></p> <p>▨ = Fibre</p> <p>Total no. = 4</p>	<p><b>3</b></p> <p>▨ = Alu.</p> <p>Total no. = 3</p>	<p><b>4</b></p> <p>▨ = Alu.</p> <p>Total no. = 1</p>	<p><b>5</b> *</p> <p>▨ = Alu.</p> <p>Total no. = 1</p>	<p><b>6</b></p> <p>▨ = Fibre</p> <p>Total no. = 1</p>
<p><b>7</b></p> <p>▨ = Fibre</p> <p>Total no. = 2</p>	<p><b>8</b></p> <p>▨ = Fibre</p> <p>Total no. = 1</p>	<p><b>9</b> *</p> <p>▨ = Alu.</p> <p>Total no. = 1</p>	<p><b>10</b> *</p> <p>▨ = Alu.</p> <p>Total no. = 1</p>	<p><b>16</b></p>	<p><b>17</b></p>
<p><b>18</b></p>	<p><b>19</b></p> <p>Total no. = 1</p>	<p><b>20</b></p> <p>Total no. = 1</p>	<p><b>23</b></p>		

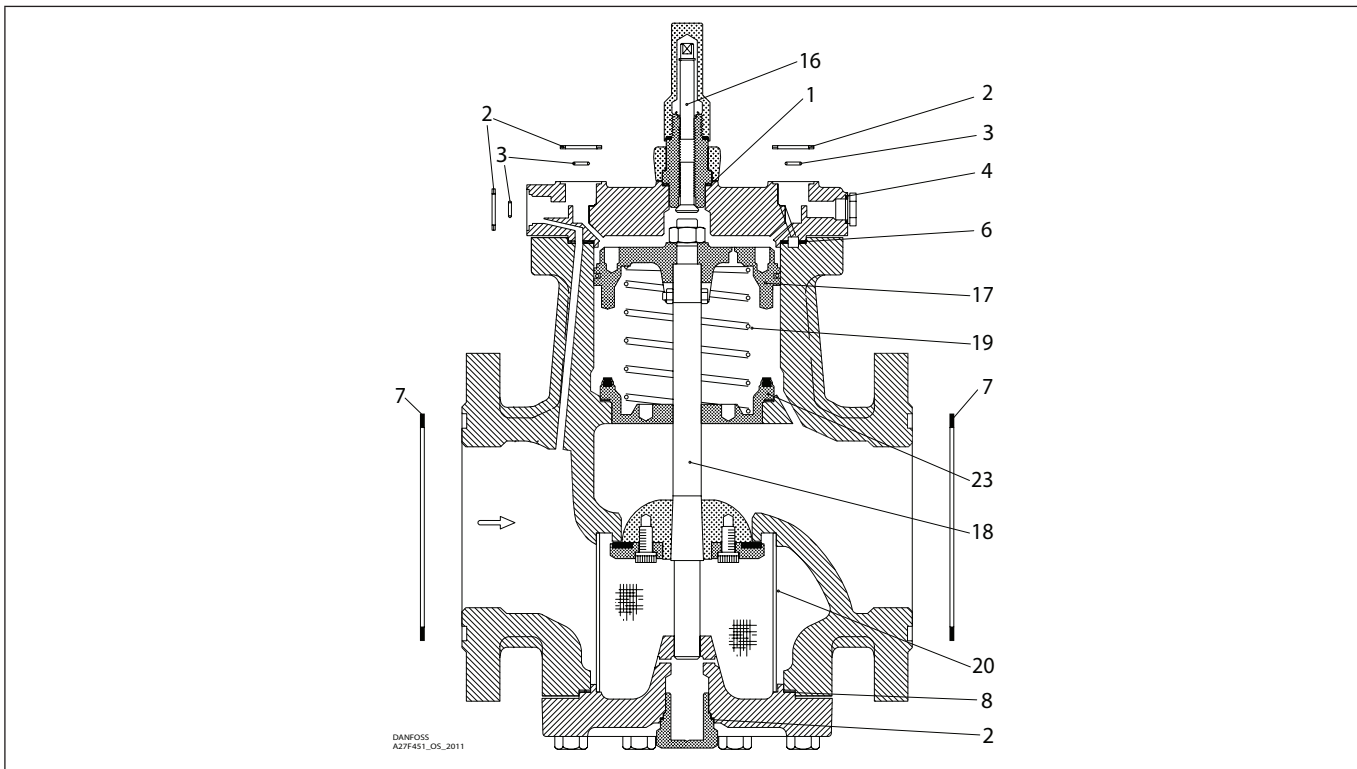
\* The spare part is included in the package but is not used for PM size 100 with standard cone.

\*\* Included in manual opening device.

Data sheet – Spare parts and accessories

Overhaul kit | Code number 027F3379

PM, size 125 - standard cone



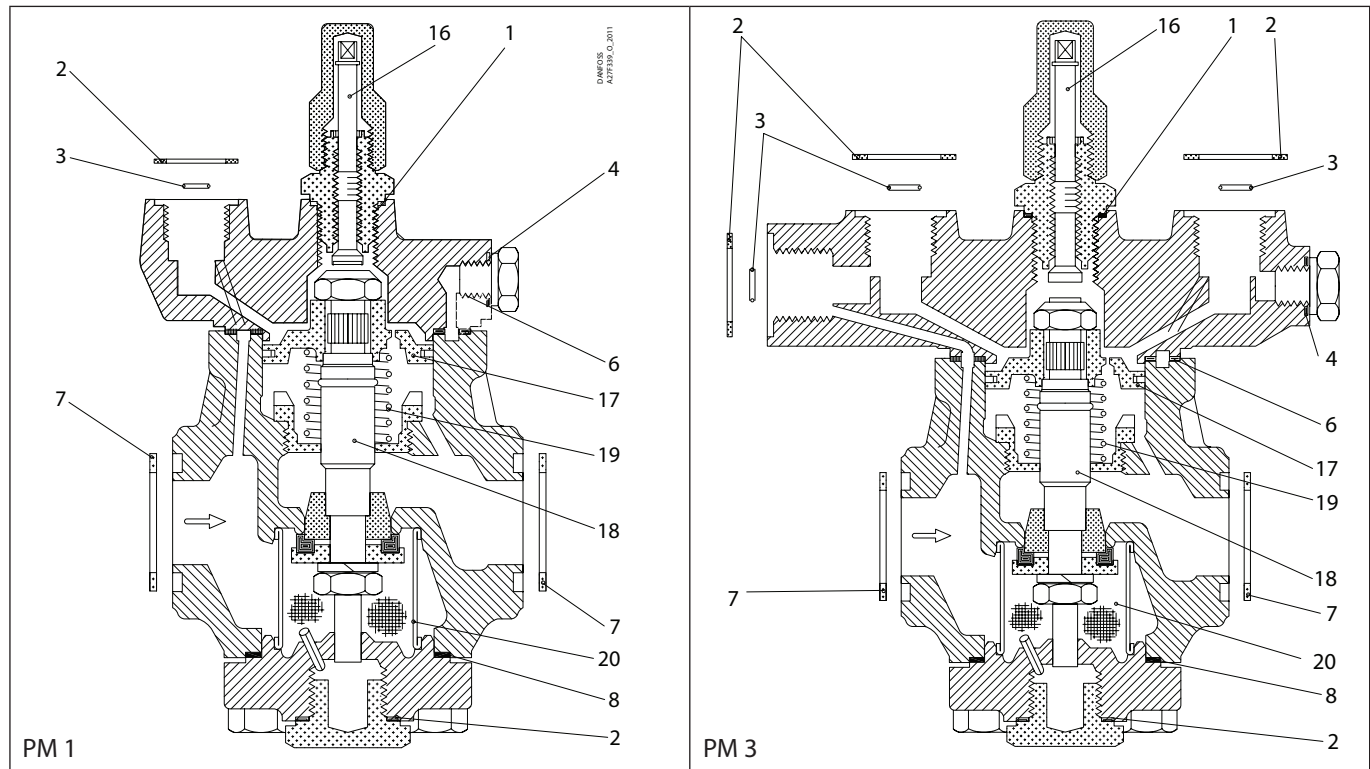
<p><b>1**</b></p> <p> = Fibre</p> <p>Ø38 mm Ø1.5"</p> <p>Total no. = 1</p>	<p><b>2</b></p> <p> = Fibre</p> <p>Ø33 mm Ø1.28"</p> <p>Total no. = 4</p>	<p><b>3</b></p> <p> = Al.</p> <p>Ø9 mm Ø0.36"</p> <p>Total no. = 3</p>	<p><b>4</b></p> <p> = Al.</p> <p>Ø18 mm Ø0.70"</p> <p>Total no. = 1</p>	<p><b>5*</b></p> <p> = Al.</p> <p>Ø14 mm Ø0.55"</p> <p>Total no. = 1</p>	<p><b>6</b></p> <p> = Fibre</p> <p>Ø221 mm Ø8.7"</p> <p>Total no. = 1</p>
<p><b>7</b></p> <p> = Fibre</p> <p>Ø203 mm Ø7.99"</p> <p>Total no. = 2</p>	<p><b>8</b></p> <p> = Fibre</p> <p>Ø196 mm Ø7.72"</p> <p>Total no. = 1</p>	<p><b>9*</b></p> <p> = Al.</p> <p>Ø32 mm Ø1.26"</p> <p>Total no. = 1</p>	<p><b>10*</b></p> <p> = Al.</p> <p>Ø22 mm Ø0.87"</p> <p>Total no. = 1</p>	<p><b>16</b></p>	<p><b>17</b></p> <p>Ø175 mm Ø6.89"</p>
<p><b>18</b></p> <p>386 mm 15.21"</p>	<p><b>19</b></p> <p>Ø125 mm Ø4.92"</p> <p>Total no. = 1</p>	<p><b>20</b></p> <p>Ø165 mm Ø6.5"</p> <p>Total no. = 1</p>	<p><b>23</b></p> <p>Ø160 mm Ø6.3"</p>		

\* The spare part is included in the package but is not used for PM size 125 with standard cone.

\*\* Included in manual opening device.

Data sheet – Spare parts and accessories

**Overhaul kit | Code number 027F3380**  
**PM, size 5**

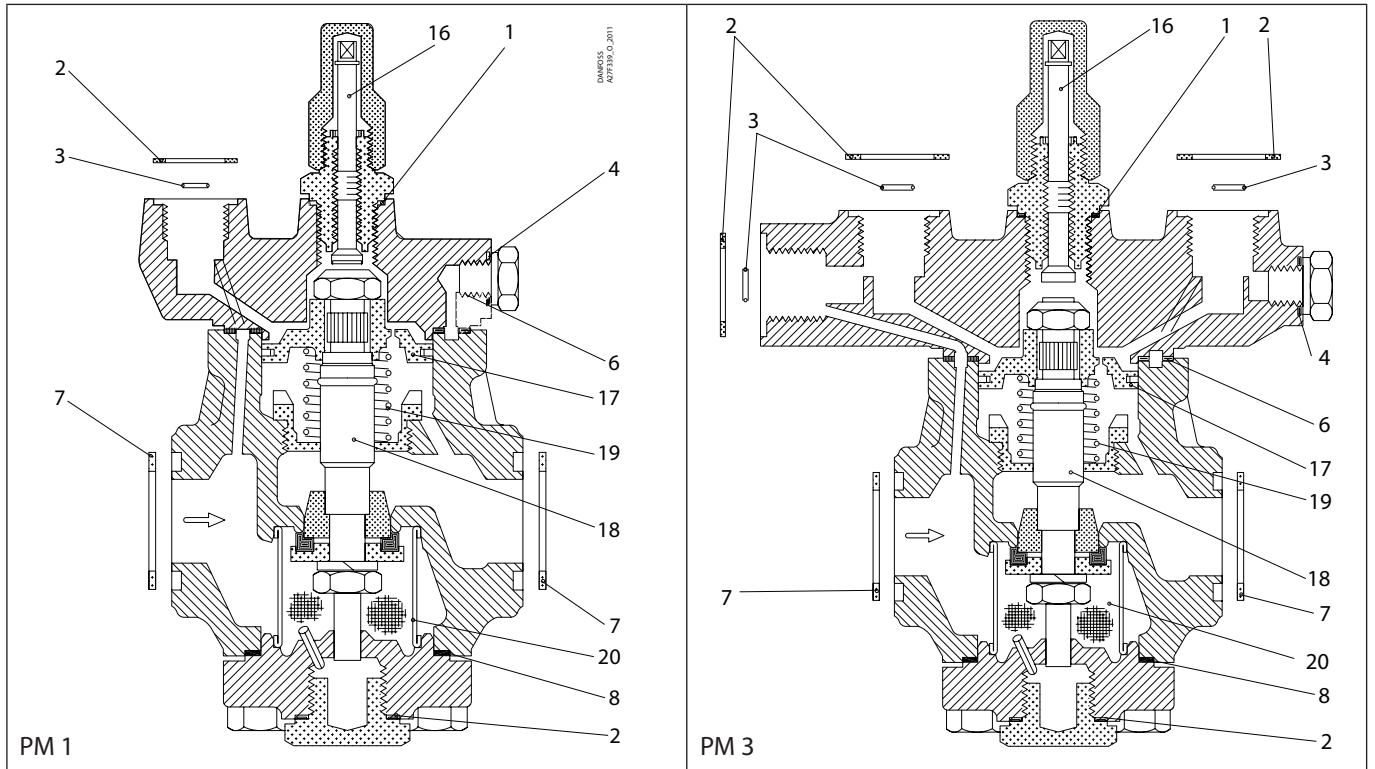


<p><b>1</b></p> <p>▨ = Alu.</p> <p>Ø26 mm Ø1.02"</p> <p>Total no. = 1</p>	<p><b>2</b></p> <p>▨ = Fibre</p> <p>Ø33 mm Ø1.28"</p> <p>Total no. = 4</p>	<p><b>3</b></p> <p>▨ = Alu.</p> <p>Ø9 mm Ø0.36"</p> <p>Total no. = 3</p>	<p><b>4</b></p> <p>▨ = Alu.</p> <p>Ø18 mm Ø0.70"</p> <p>Total no. = 1</p>	<p><b>5*</b></p> <p>▨ = Alu.</p> <p>Ø14 mm Ø0.55"</p> <p>Total no. = 1</p>	<p><b>6</b></p> <p>▨ = Fibre</p> <p>Ø75 mm Ø2.95"</p> <p>Total no. = 1</p>
<p><b>7</b></p> <p>▨ = Fibre</p> <p>Ø39 mm Ø1.54"</p> <p>Total no. = 2</p>	<p><b>8</b></p> <p>▨ = Fibre</p> <p>Ø60 mm Ø2.36"</p> <p>Total no. = 1</p>	<p><b>9*</b></p> <p>▨ = Alu.</p> <p>Ø32 mm Ø1.26"</p> <p>Total no. = 1</p>	<p><b>10*</b></p> <p>▨ = Alu.</p> <p>Ø22 mm Ø0.87"</p> <p>Total no. = 1</p>	<p><b>16</b></p>	<p><b>17</b></p> <p>Ø50 mm Ø1.97"</p>
<p><b>18</b></p> <p>Ø26 mm Ø1.02"</p>	<p><b>19</b></p> <p>Ø26 mm Ø1.04"</p> <p>Total no. = 1</p>	<p><b>20</b></p> <p>Ø44 mm Ø1.73"</p> <p>Total no. = 1</p>			

\* The spare part is included in the package but is not used for PM 1 or PM 3..

Data sheet – Spare parts and accessories

Overhaul kit | Code number 027F3381  
PM, size 10



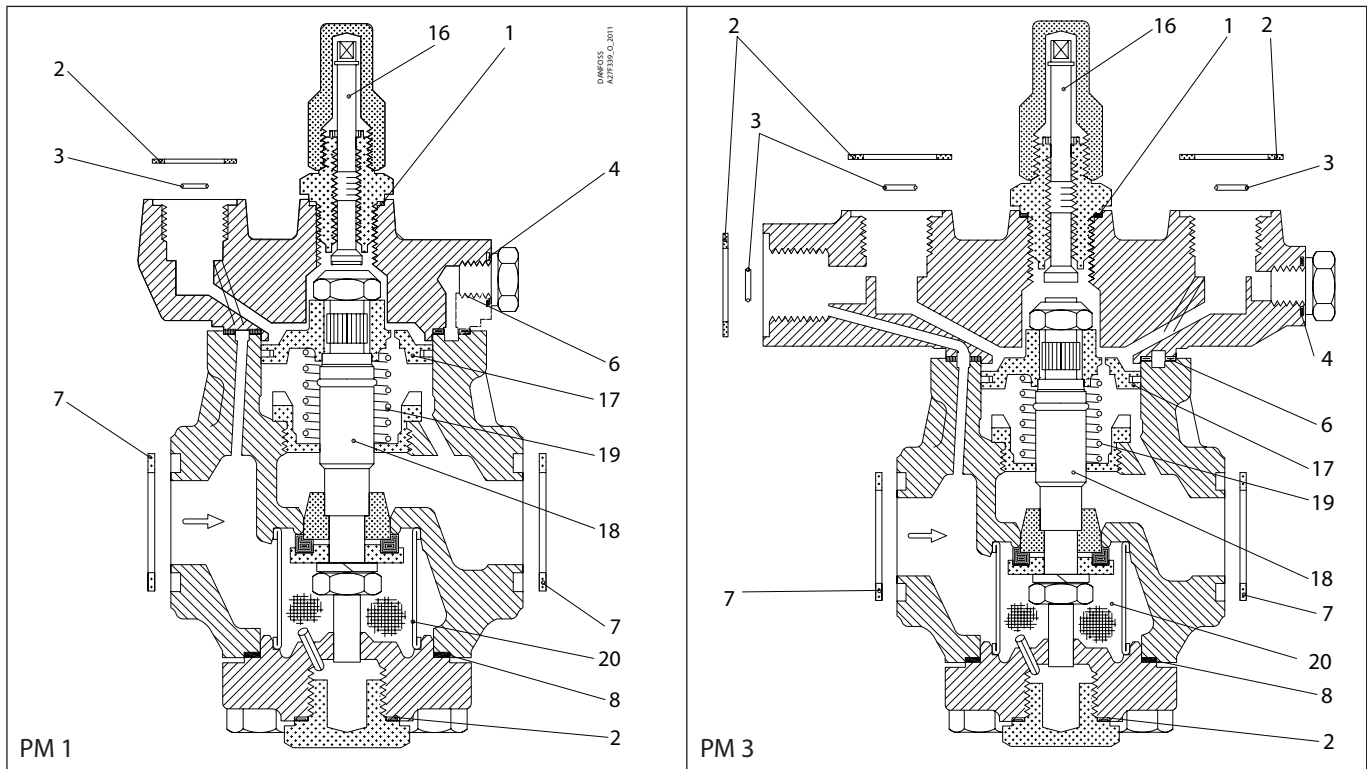
<p><b>1</b></p> <p>Alu.</p> <p>Ø26 mm Ø1.02"</p> <p>Total no. = 1</p>	<p><b>2</b></p> <p>Fibre</p> <p>Ø33 mm Ø1.28"</p> <p>Total no. = 4</p>	<p><b>3</b></p> <p>Ø9 mm Ø0.36"</p> <p>Total no. = 3</p>	<p><b>4</b></p> <p>Alu.</p> <p>Ø18 mm Ø0.70"</p> <p>Total no. = 1</p>	<p><b>5*</b></p> <p>Alu.</p> <p>Ø14 mm Ø0.55"</p> <p>Total no. = 1</p>	<p><b>6</b></p> <p>Fibre</p> <p>Ø75 mm Ø2.95"</p> <p>Total no. = 1</p>
<p><b>7</b></p> <p>Fibre</p> <p>Ø39 mm Ø1.54"</p> <p>Total no. = 2</p>	<p><b>8</b></p> <p>Fibre</p> <p>Ø60 mm Ø2.36"</p> <p>Total no. = 1</p>	<p><b>9*</b></p> <p>Alu.</p> <p>Ø32 mm Ø1.26"</p> <p>Total no. = 1</p>	<p><b>10*</b></p> <p>Alu.</p> <p>Ø22 mm Ø0.87"</p> <p>Total no. = 1</p>	<p><b>16</b></p>	<p><b>17</b></p> <p>Ø50 mm Ø1.97"</p>
<p><b>18</b></p> <p>Ø26 mm Ø1.02"</p>	<p><b>19</b></p> <p>Ø26 mm Ø1.04"</p> <p>Total no. = 1</p>	<p><b>20</b></p> <p>Ø44 mm Ø1.73"</p> <p>Total no. = 1</p>			

\* The spare part is included in the package but is not used for PM 1 or PM 3..



Data sheet – Spare parts and accessories

Overhaul kit | Code number 027F3382  
PM, size 15



<p><b>1</b></p> <p> = Alu.</p> <p></p> <p>Total no. = 1</p>	<p><b>2</b></p> <p> = Fibre</p> <p></p> <p>Total no. = 4</p>	<p><b>3</b></p> <p></p> <p></p> <p>Total no. = 3</p>	<p><b>4</b></p> <p> = Alu.</p> <p></p> <p>Total no. = 1</p>	<p><b>5*</b></p> <p> = Alu.</p> <p></p> <p>Total no. = 1</p>	<p><b>6</b></p> <p> = Fibre</p> <p></p> <p>Total no. = 1</p>
<p><b>7</b></p> <p> = Fibre</p> <p></p> <p>Total no. = 2</p>	<p><b>8</b></p> <p> = Fibre</p> <p></p> <p>Total no. = 1</p>	<p><b>9*</b></p> <p> = Alu.</p> <p></p> <p>Total no. = 1</p>	<p><b>10*</b></p> <p> = Alu.</p> <p></p> <p>Total no. = 1</p>	<p><b>16</b></p> <p></p>	<p><b>17</b></p> <p></p>
<p><b>18</b></p> <p></p>	<p><b>19</b></p> <p></p> <p>Total no. = 1</p>	<p><b>20</b></p> <p></p> <p>Total no. = 1</p>			

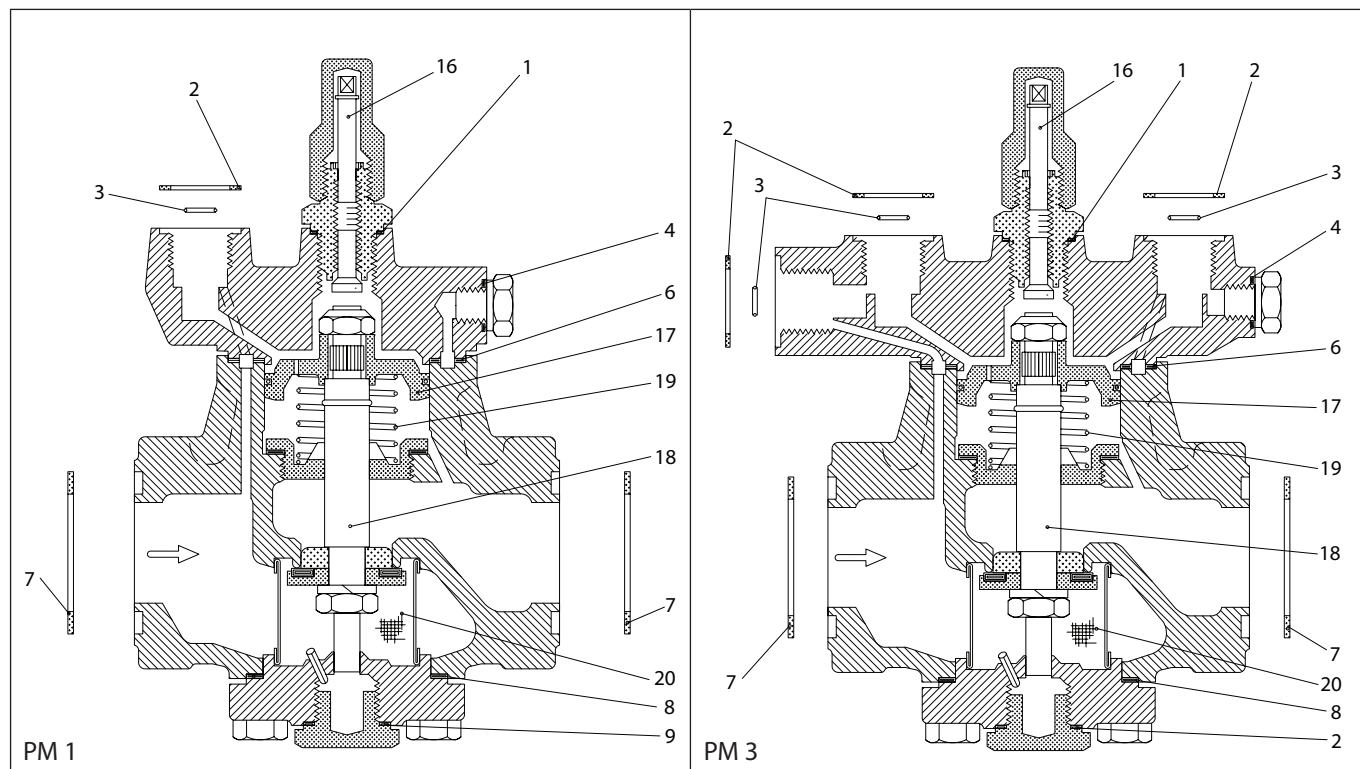
\* The spare part is included in the package but is not used for PM 1 or PM 3..



Data sheet – Spare parts and accessories

Overhaul kit | Code number 027F3383

PM, size 32 V-cone

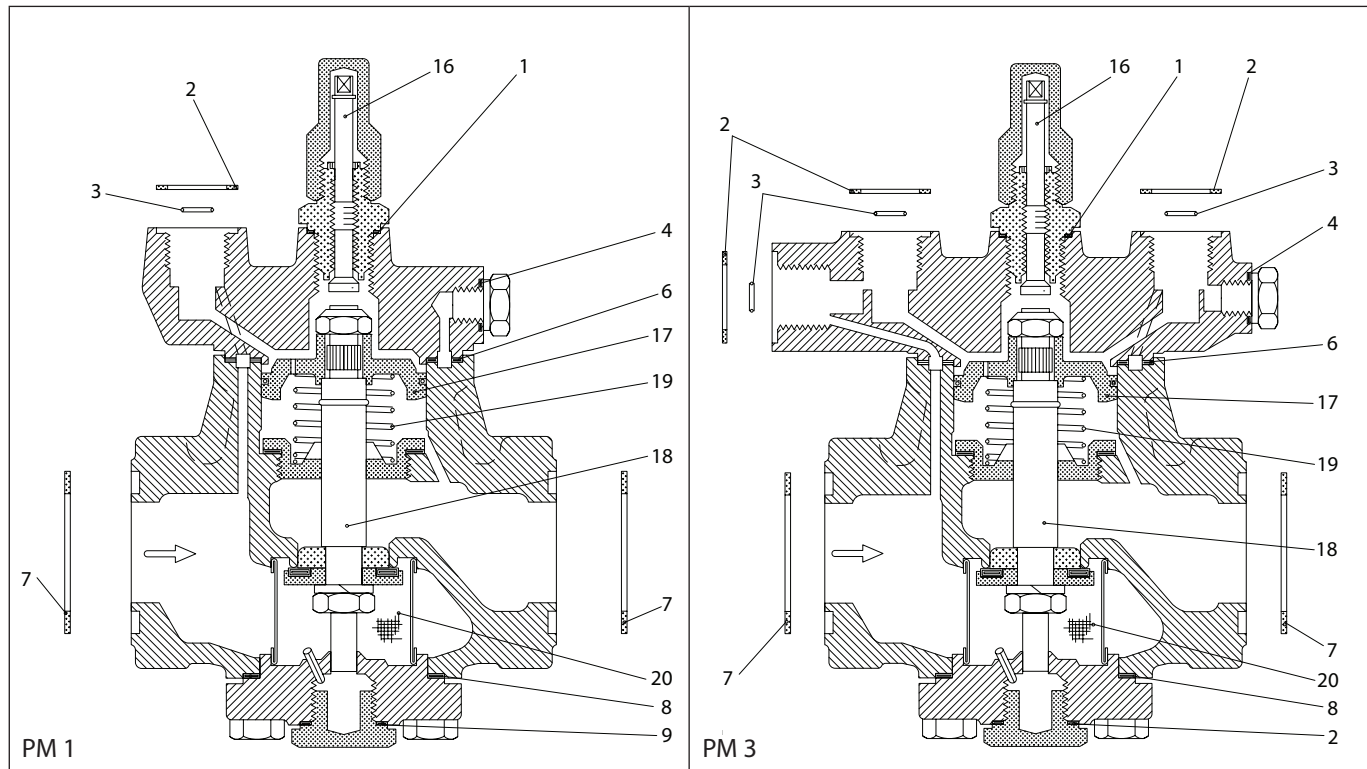


<p><b>1</b></p> <p> = Alu.</p> <p><math>\varnothing 26 \text{ mm}</math> <math>\varnothing 1.02''</math></p> <p>Total no. = 1</p>	<p><b>2</b></p> <p> = Fibre</p> <p><math>\varnothing 33 \text{ mm}</math> <math>\varnothing 1.28''</math></p> <p>Total no. = 4</p>	<p><b>3</b></p> <p> = Alu.</p> <p><math>\varnothing 9 \text{ mm}</math> <math>\varnothing 0.36''</math></p> <p>Total no. = 3</p>	<p><b>4</b></p> <p> = Alu.</p> <p><math>\varnothing 18 \text{ mm}</math> <math>\varnothing 0.70''</math></p> <p>Total no. = 1</p>	<p><b>5*</b></p> <p> = Alu.</p> <p><math>\varnothing 14 \text{ mm}</math> <math>\varnothing 0.55''</math></p> <p>Total no. = 1</p>	<p><b>6</b></p> <p> = Fibre</p> <p><math>\varnothing 85 \text{ mm}</math> <math>\varnothing 3.35''</math></p> <p>Total no. = 1</p>
<p><b>7</b></p> <p> = Fibre</p> <p><math>\varnothing 58 \text{ mm}</math> <math>\varnothing 2.28''</math></p> <p>Total no. = 2</p>	<p><b>8</b></p> <p> = Fibre</p> <p><math>\varnothing 70 \text{ mm}</math> <math>\varnothing 2.76''</math></p> <p>Total no. = 1</p>	<p><b>9</b></p> <p> = Alu.</p> <p><math>\varnothing 32 \text{ mm}</math> <math>\varnothing 1.26''</math></p> <p>Total no. = 1</p>	<p><b>10*</b></p> <p> = Alu.</p> <p><math>\varnothing 22 \text{ mm}</math> <math>\varnothing 0.87''</math></p> <p>Total no. = 1</p>	<p><b>16</b></p> <p> = Alu.</p>	<p><b>17</b></p> <p> = Fibre</p> <p><math>\varnothing 60 \text{ mm}</math> <math>\varnothing 2.36''</math></p>
<p><b>18</b></p> <p> = Alu.</p> <p><math>\varnothing 32 \text{ mm}</math> <math>\varnothing 1.26''</math></p>	<p><b>19</b></p> <p> = Fibre</p> <p><math>\varnothing 38 \text{ mm}</math> <math>\varnothing 1.48''</math></p> <p>Total no. = 1</p>	<p><b>20</b></p> <p> = Alu.</p> <p><math>\varnothing 51 \text{ mm}</math> <math>\varnothing 2.0''</math></p> <p>Total no. = 1</p>			

\* The spare part is included in the package but is not used for PM 1 or PM 3 with V-cone.

Data sheet – Spare parts and accessories

Overhaul kit | Code number 027F3384  
PM, size 40 V-cone

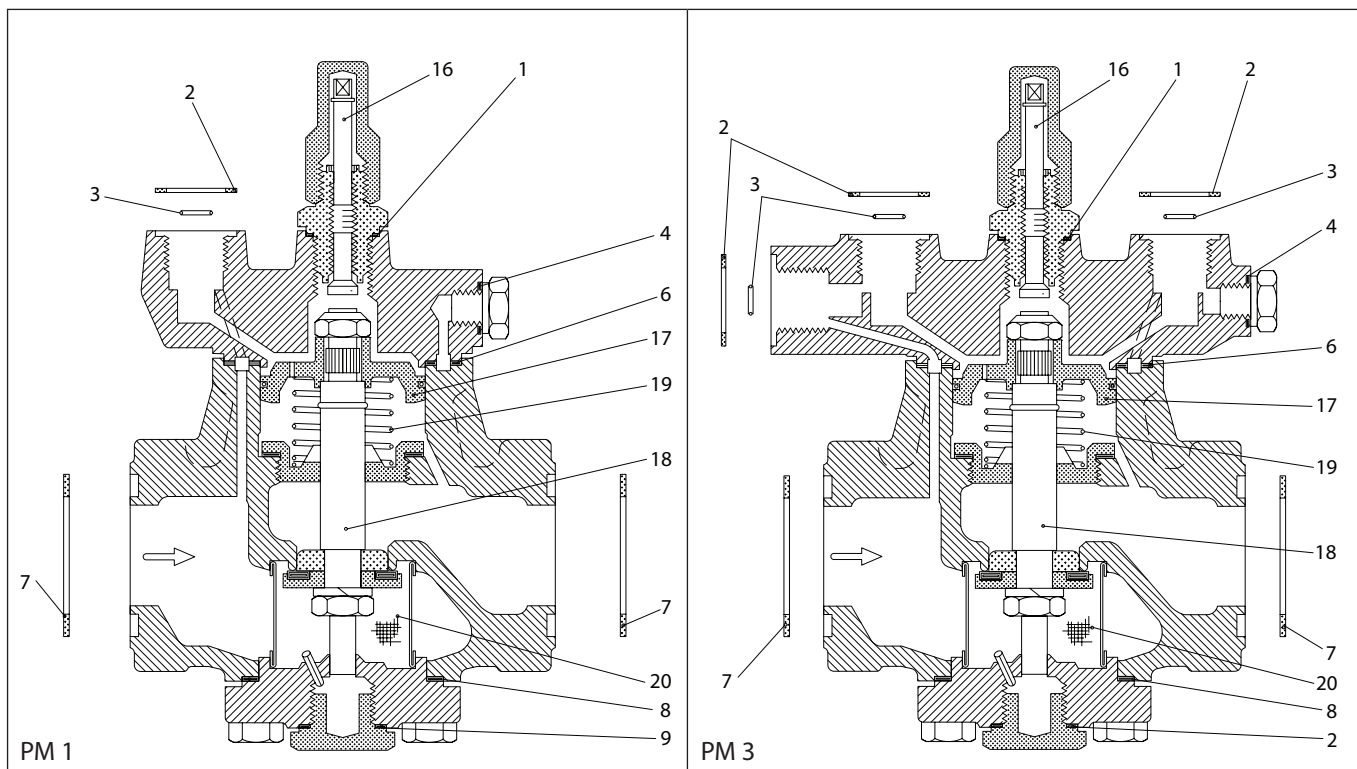


<p><b>1</b></p> <p> = Alu.</p> <p>Total no. = 1</p>	<p><b>2</b></p> <p> = Fibre</p> <p>Total no. = 4</p>	<p><b>3</b></p> <p> = Alu.</p> <p>Total no. = 3</p>	<p><b>4</b></p> <p> = Alu.</p> <p>Total no. = 1</p>	<p><b>5*</b></p> <p> = Alu.</p> <p>Total no. = 1</p>	<p><b>6</b></p> <p> = Fibre</p> <p>Total no. = 1</p>
<p><b>7</b></p> <p> = Fibre</p> <p>Total no. = 2</p>	<p><b>8</b></p> <p> = Fibre</p> <p>Total no. = 1</p>	<p><b>9</b></p> <p> = Alu.</p> <p>Total no. = 1</p>	<p><b>10*</b></p> <p> = Alu.</p> <p>Total no. = 1</p>	<p><b>16</b></p>	<p><b>17</b></p>
<p><b>18</b></p>	<p><b>19</b></p> <p>Total no. = 1</p>	<p><b>20</b></p> <p>Total no. = 1</p>			

\* The spare part is included in the package but is not used for PM 1 or PM 3 with V-cone.

Data sheet – Spare parts and accessories

Overhaul kit | Code number 027F3385  
PM, size 50 V-cone

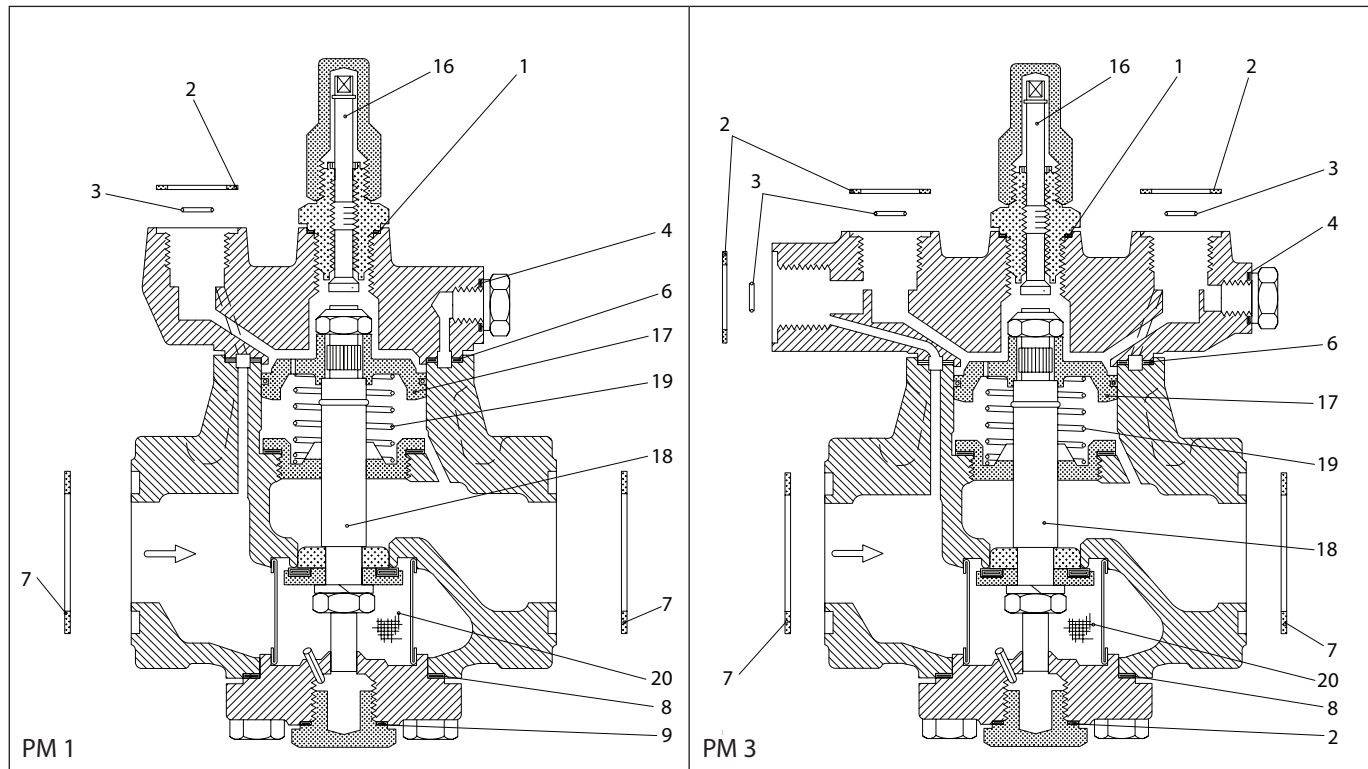


<p><b>1</b></p> <p> = Alu.</p> <p><math>\varnothing 26 \text{ mm}</math> <math>\varnothing 1.02''</math></p> <p>Total no. = 1</p>	<p><b>2</b></p> <p> = Fibre</p> <p><math>\varnothing 33 \text{ mm}</math> <math>\varnothing 1.28''</math></p> <p>Total no. = 4</p>	<p><b>3</b></p> <p> = Alu.</p> <p><math>\varnothing 9 \text{ mm}</math> <math>\varnothing 0.36''</math></p> <p>Total no. = 3</p>	<p><b>4</b></p> <p> = Alu.</p> <p><math>\varnothing 18 \text{ mm}</math> <math>\varnothing 0.70''</math></p> <p>Total no. = 1</p>	<p><b>5*</b></p> <p> = Alu.</p> <p><math>\varnothing 14 \text{ mm}</math> <math>\varnothing 0.55''</math></p> <p>Total no. = 1</p>	<p><b>6</b></p> <p> = Fibre</p> <p><math>\varnothing 105 \text{ mm}</math> <math>\varnothing 4.13''</math></p> <p>Total no. = 1</p>
<p><b>7</b></p> <p> = Fibre</p> <p><math>\varnothing 76 \text{ mm}</math> <math>\varnothing 2.99''</math></p> <p>Total no. = 2</p>	<p><b>8</b></p> <p> = Fibre</p> <p><math>\varnothing 92 \text{ mm}</math> <math>\varnothing 3.62''</math></p> <p>Total no. = 1</p>	<p><b>9</b></p> <p> = Alu.</p> <p><math>\varnothing 32 \text{ mm}</math> <math>\varnothing 1.26''</math></p> <p>Total no. = 1</p>	<p><b>10*</b></p> <p> = Alu.</p> <p><math>\varnothing 22 \text{ mm}</math> <math>\varnothing 0.87''</math></p> <p>Total no. = 1</p>	<p><b>16</b></p> <p> = Alu.</p>	<p><b>17</b></p> <p> = Alu.</p> <p><math>\varnothing 85 \text{ mm}</math> <math>\varnothing 3.35''</math></p>
<p><b>18</b></p> <p> = Alu.</p> <p><math>\varnothing 50 \text{ mm}</math> <math>\varnothing 1.97''</math></p>	<p><b>19</b></p> <p> = Fibre</p> <p><math>\varnothing 49 \text{ mm}</math> <math>\varnothing 1.93''</math></p> <p>Total no. = 1</p>	<p><b>20</b></p> <p> = Alu.</p> <p><math>\varnothing 74 \text{ mm}</math> <math>\varnothing 2.91''</math></p> <p>Total no. = 1</p>			

\* The spare part is included in the package but is not used for PM 1 or PM 3 with V-cone.

Data sheet – Spare parts and accessories

Overhaul kit | Code number 027F3386  
PM, size 65 V-cone

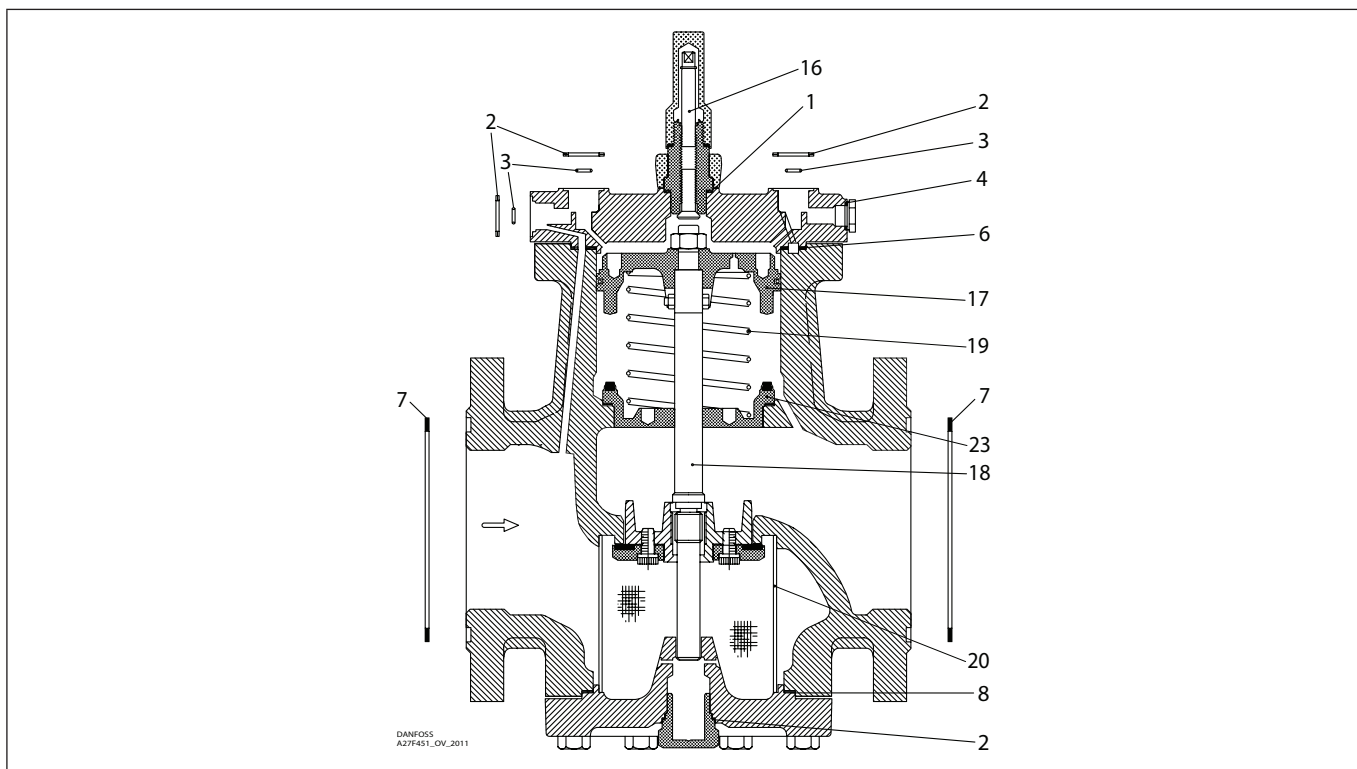


<p><b>1</b></p> <p>▨ = Alu.</p> <p>Ø26 mm Ø1.02"</p> <p>Total no. = 1</p>	<p><b>2</b></p> <p>▨ = Fibre</p> <p>Ø33 mm Ø1.28"</p> <p>Total no. = 4</p>	<p><b>3</b></p> <p>Ø9 mm Ø0.36"</p> <p>Total no. = 3</p>	<p><b>4</b></p> <p>▨ = Alu.</p> <p>Ø18 mm Ø0.70"</p> <p>Total no. = 1</p>	<p><b>5*</b></p> <p>▨ = Alu.</p> <p>Ø14 mm Ø0.55"</p> <p>Total no. = 1</p>	<p><b>6</b></p> <p>▨ = Fibre</p> <p>Ø127 mm Ø5"</p> <p>Total no. = 1</p>
<p><b>7</b></p> <p>▨ = Fibre</p> <p>Ø87 mm Ø3.43"</p> <p>Total no. = 2</p>	<p><b>8</b></p> <p>▨ = Fibre</p> <p>Ø112 mm Ø4.41"</p> <p>Total no. = 1</p>	<p><b>9</b></p> <p>▨ = Alu.</p> <p>Ø32 mm Ø1.26"</p> <p>Total no. = 1</p>	<p><b>10*</b></p> <p>▨ = Alu.</p> <p>Ø22 mm Ø0.87"</p> <p>Total no. = 1</p>	<p><b>16</b></p>	<p><b>17</b></p> <p>Ø105 mm Ø4.13"</p>
<p><b>18</b></p> <p>Ø65 mm Ø2.54"</p>	<p><b>19</b></p> <p>Ø61 mm Ø2.40"</p> <p>Total no. = 1</p>	<p><b>20</b></p> <p>Ø94 mm Ø3.70"</p> <p>Total no. = 1</p>			

\* The spare part is included in the package but is not used for PM 1 or PM 3 with V-cone.

Data sheet – Spare parts and accessories

Overhaul kit | Code number 027F3387  
PM, size 80 - V-cone



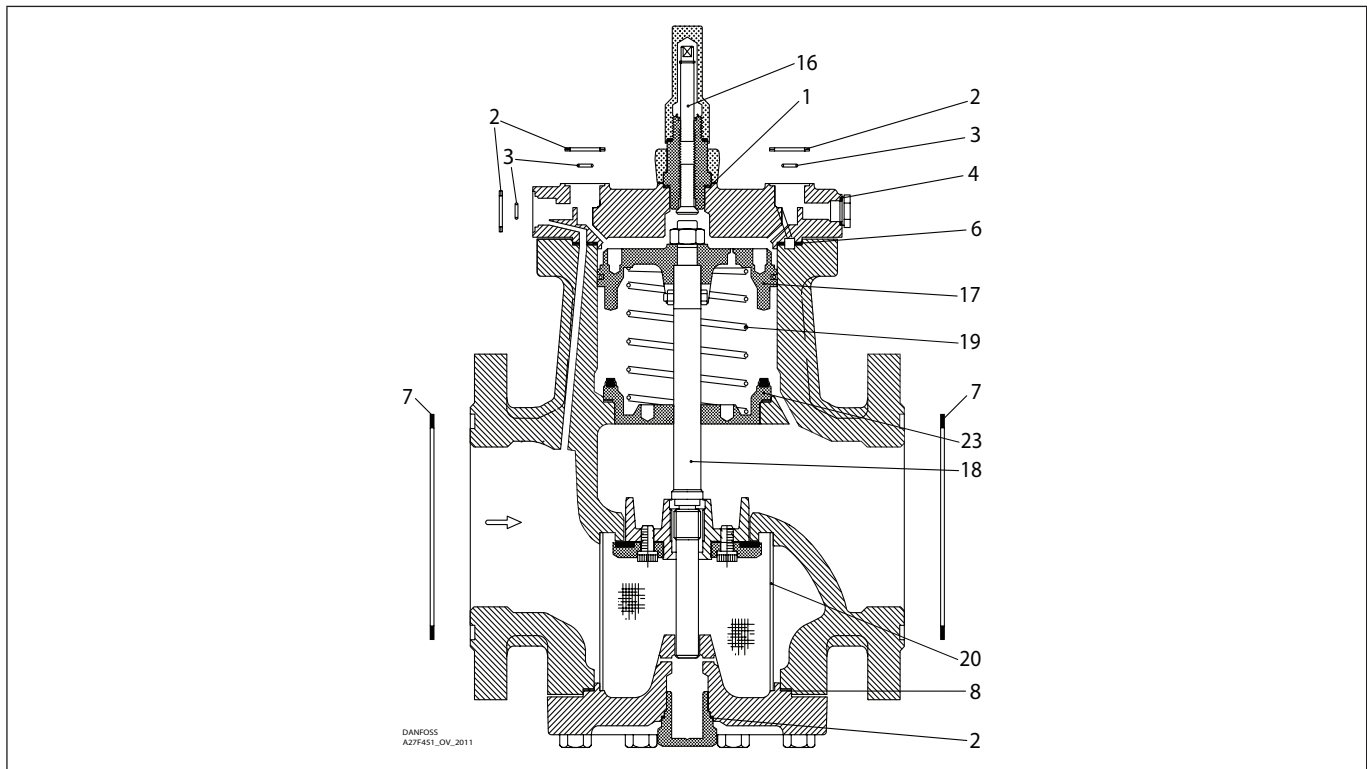
<p><b>1**</b></p> <p> = Fibre</p> <p><math>\varnothing 38 \text{ mm}</math> <math>\varnothing 1.5''</math></p> <p>Total no. = 1</p>	<p><b>2</b></p> <p> = Fibre</p> <p><math>\varnothing 33 \text{ mm}</math> <math>\varnothing 1.28''</math></p> <p>Total no. = 4</p>	<p><b>3</b></p> <p> = Alu.</p> <p><math>\varnothing 9 \text{ mm}</math> <math>\varnothing 0.36''</math></p> <p>Total no. = 3</p>	<p><b>4</b></p> <p> = Alu.</p> <p><math>\varnothing 18 \text{ mm}</math> <math>\varnothing 0.70''</math></p> <p>Total no. = 1</p>	<p><b>5*</b></p> <p> = Alu.</p> <p><math>\varnothing 14 \text{ mm}</math> <math>\varnothing 0.55''</math></p> <p>Total no. = 1</p>	<p><b>6</b></p> <p> = Fibre</p> <p><math>\varnothing 154 \text{ mm}</math> <math>\varnothing 6.06''</math></p> <p>Total no. = 1</p>
<p><b>7</b></p> <p> = Fibre</p> <p><math>\varnothing 149 \text{ mm}</math> <math>\varnothing 5.87''</math></p> <p>Total no. = 2</p>	<p><b>8</b></p> <p> = Fibre</p> <p><math>\varnothing 134 \text{ mm}</math> <math>\varnothing 5.28''</math></p> <p>Total no. = 1</p>	<p><b>9*</b></p> <p> = Alu.</p> <p><math>\varnothing 32 \text{ mm}</math> <math>\varnothing 1.26''</math></p> <p>Total no. = 1</p>	<p><b>10*</b></p> <p> = Alu.</p> <p><math>\varnothing 22 \text{ mm}</math> <math>\varnothing 0.87''</math></p> <p>Total no. = 1</p>	<p><b>16</b></p>	<p><b>17</b></p> <p><math>\varnothing 120 \text{ mm}</math> <math>\varnothing 4.72''</math></p>
<p><b>18</b></p> <p>265 mm 10.44"</p>	<p><b>19</b></p> <p><math>\varnothing 80 \text{ mm}</math> <math>\varnothing 3.15''</math></p> <p>Total no. = 1</p>	<p><b>20</b></p> <p><math>\varnothing 110 \text{ mm}</math> <math>\varnothing 4.33''</math></p> <p>Total no. = 1</p>	<p><b>23</b></p> <p><math>\varnothing 114 \text{ mm}</math> <math>\varnothing 4.49''</math></p>		

\* The spare part is included in the package but is not used for PM size 80 with V-cone.

\*\* Included in manual opening device.

Data sheet – Spare parts and accessories

**Overhaul kit | Code number 027F3388**  
**PM, size 100 - V-cone**



<p><b>1**</b></p> <p> = Fibre</p> <p>Ø38 mm Ø1.5"</p> <p>Total no. = 1</p>	<p><b>2</b></p> <p> = Fibre</p> <p>Ø33 mm Ø1.28"</p> <p>Total no. = 4</p>	<p><b>3</b></p> <p> = Fibre</p> <p>Ø9 mm Ø0.36"</p> <p>Total no. = 3</p>	<p><b>4</b></p> <p> = Alu.</p> <p>Ø18 mm Ø0.70"</p> <p>Total no. = 1</p>	<p><b>5*</b></p> <p> = Alu.</p> <p>Ø14 mm Ø0.55"</p> <p>Total no. = 1</p>	<p><b>6</b></p> <p> = Fibre</p> <p>Ø185 mm Ø7.28"</p> <p>Total no. = 1</p>
<p><b>7</b></p> <p> = Fibre</p> <p>Ø175 mm Ø6.89"</p> <p>Total no. = 2</p>	<p><b>8</b></p> <p> = Fibre</p> <p>Ø168 mm Ø6.61"</p> <p>Total no. = 1</p>	<p><b>9*</b></p> <p> = Alu.</p> <p>Ø32 mm Ø1.26"</p> <p>Total no. = 1</p>	<p><b>10*</b></p> <p> = Alu.</p> <p>Ø22 mm Ø0.87"</p> <p>Total no. = 1</p>	<p><b>16</b></p>	<p><b>17</b></p> <p>Ø145 mm Ø4.71"</p>
<p><b>18</b></p> <p>307 mm 12.09"</p>	<p><b>19</b></p> <p>Ø100 mm Ø3.94"</p> <p>Total no. = 1</p>	<p><b>20</b></p> <p>Ø141 mm Ø4.33"</p> <p>Total no. = 1</p>	<p><b>23</b></p> <p>Ø135 mm Ø5.31"</p>		

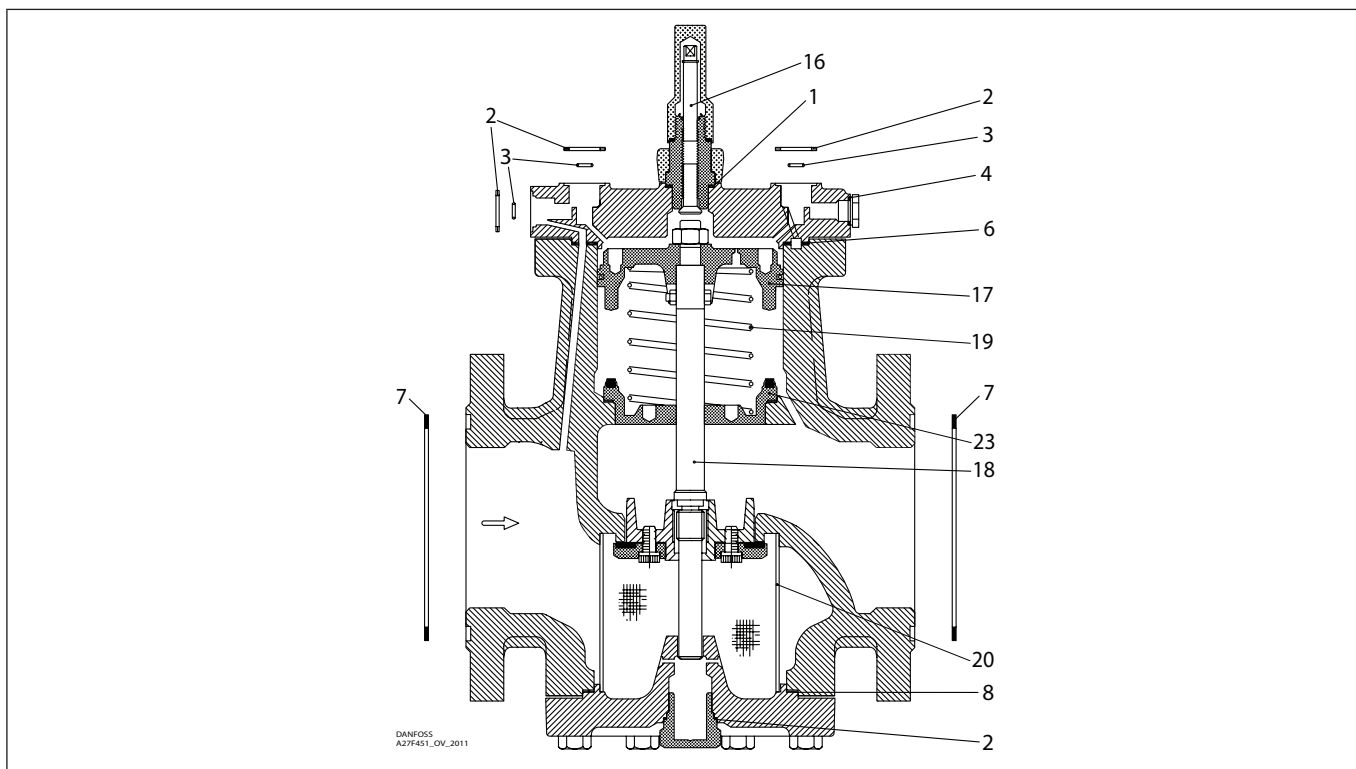
\* The spare part is included in the package but is not used for PM size 100 with V-cone.

\*\* Included in manual opening device.

Data sheet – Spare parts and accessories

Overhaul kit | Code number 027F3389

PM, size 125 - V-cone



<p><b>1**</b></p> <p> = Fibre</p> <p>Ø38 mm Ø1.5"</p> <p>Total no. = 1</p>	<p><b>2</b></p> <p> = Fibre</p> <p>Ø33 mm Ø1.28"</p> <p>Total no. = 4</p>	<p><b>3</b></p> <p> = Fibre</p> <p>Ø9 mm Ø0.36"</p> <p>Total no. = 3</p>	<p><b>4</b></p> <p> = Alu.</p> <p>Ø18 mm Ø0.70"</p> <p>Total no. = 1</p>	<p><b>5*</b></p> <p> = Alu.</p> <p>Ø14 mm Ø0.55"</p> <p>Total no. = 1</p>	<p><b>6</b></p> <p> = Fibre</p> <p>Ø221 mm Ø8.7"</p> <p>Total no. = 1</p>
<p><b>7</b></p> <p> = Fibre</p> <p>Ø203 mm Ø7.99"</p> <p>Total no. = 2</p>	<p><b>8</b></p> <p> = Fibre</p> <p>Ø196 mm Ø7.72"</p> <p>Total no. = 1</p>	<p><b>9*</b></p> <p> = Alu.</p> <p>Ø32 mm Ø1.26"</p> <p>Total no. = 1</p>	<p><b>10*</b></p> <p> = Alu.</p> <p>Ø22 mm Ø0.87"</p> <p>Total no. = 1</p>	<p><b>16</b></p>	<p><b>17</b></p> <p>Ø175 mm Ø6.89"</p>
<p><b>18</b></p> <p>386 mm 15.21"</p>	<p><b>19</b></p> <p>Ø125 mm Ø4.92"</p> <p>Total no. = 1</p>	<p><b>20</b></p> <p>Ø165 mm Ø6.5"</p> <p>Total no. = 1</p>	<p><b>23</b></p> <p>Ø160 mm Ø6.3"</p>		

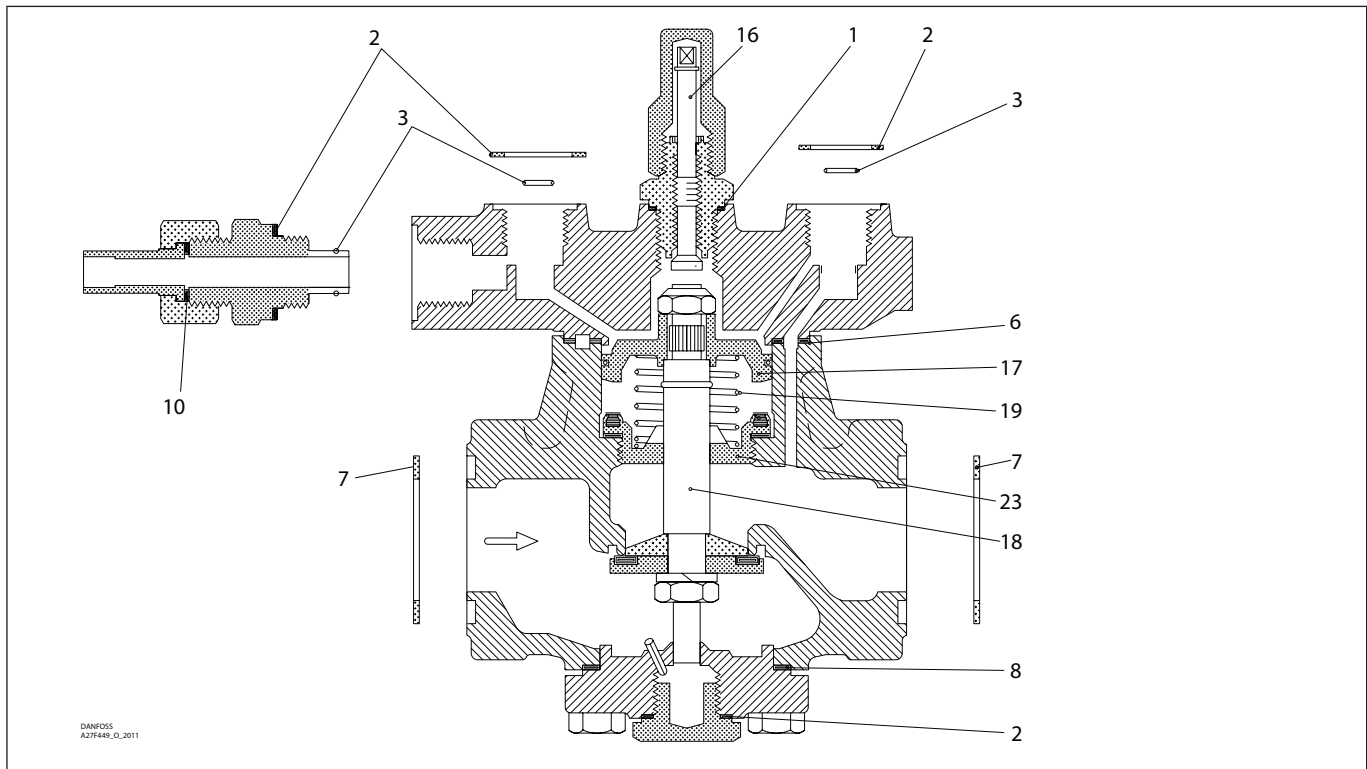
\* The spare part is included in the package but is not used for PM size 125 with V-cone.

\*\* Included in manual opening device.



Data sheet – Spare parts and accessories

Overhaul kit | Code number 027F0556  
PML, size 32



<p><b>1</b></p> <p>▨ = Alu.</p> <p>Total no. = 1</p>	<p><b>2</b></p> <p>▨ = Fibre</p> <p>Total no. = 4</p>	<p><b>3</b></p> <p>Total no. = 3</p>	<p><b>4*</b></p> <p>▨ = Alu.</p> <p>Total no. = 1</p>	<p><b>5*</b></p> <p>▨ = Alu.</p> <p>Total no. = 1</p>	<p><b>6</b></p> <p>▨ = Fibre</p> <p>Total no. = 1</p>
<p><b>7</b></p> <p>▨ = Fibre</p> <p>Total no. = 2</p>	<p><b>8</b></p> <p>▨ = Fibre</p> <p>Total no. = 1</p>	<p><b>9*</b></p> <p>▨ = Alu.</p> <p>Total no. = 1</p>	<p><b>10</b></p> <p>▨ = Alu.</p> <p>Total no. = 1</p>	<p><b>16</b></p>	<p><b>17</b></p>
<p><b>18</b></p>	<p><b>19</b></p> <p>Total no. = 1</p>	<p><b>23</b></p>			

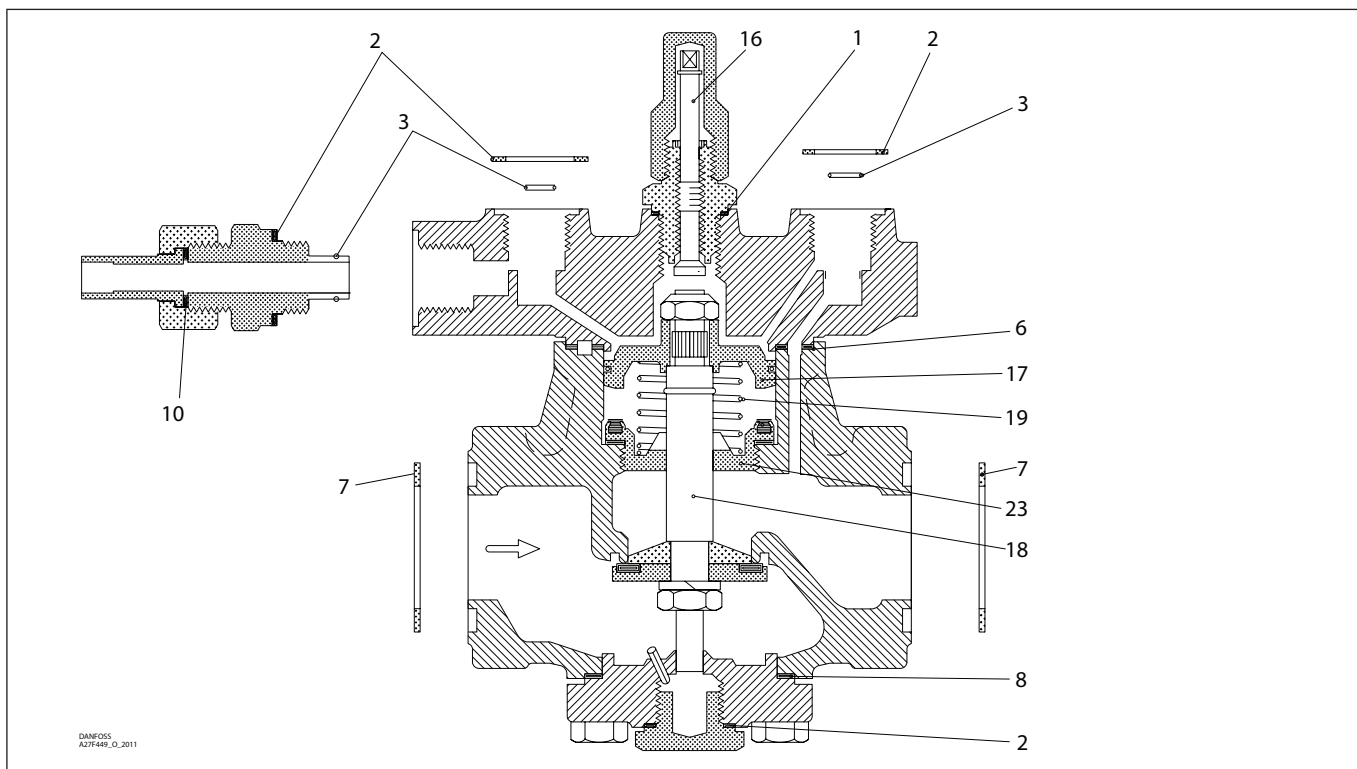
\* The spare part is included in the package but is not used for PML size 32.



Data sheet – Spare parts and accessories

Overhaul kit | Code number 027F0557

PML, size 40

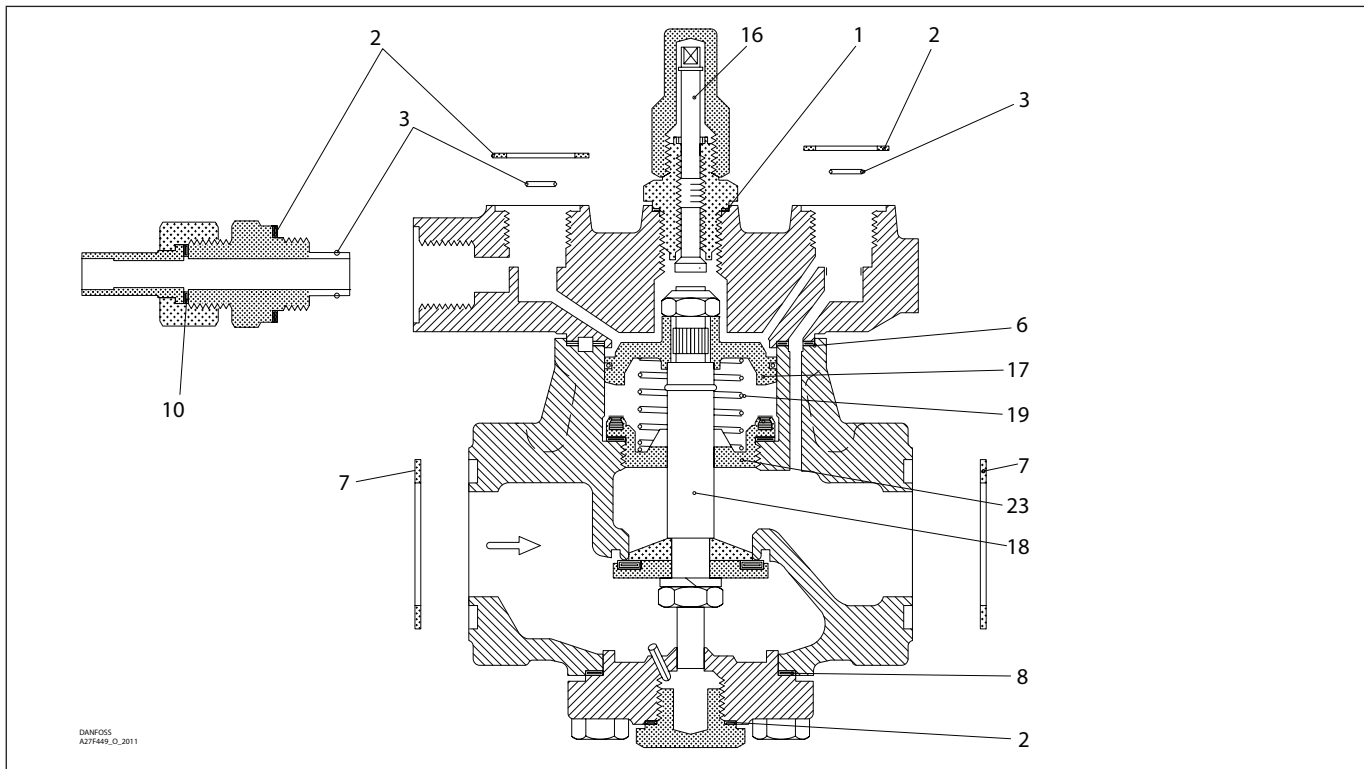


<p><b>1</b></p> <p>— = Alu.</p> <p>Ø26 mm Ø1.02"</p> <p>Total no. = 1</p>	<p><b>2</b></p> <p>— = Fibre</p> <p>Ø33 mm Ø1.28"</p> <p>Total no. = 4</p>	<p><b>3</b></p> <p>Ø9 mm Ø0.36"</p> <p>Total no. = 3</p>	<p><b>4*</b></p> <p>— = Alu.</p> <p>Ø18 mm Ø0.70"</p> <p>Total no. = 1</p>	<p><b>5*</b></p> <p>— = Alu.</p> <p>Ø14 mm Ø0.55"</p> <p>Total no. = 1</p>	<p><b>6</b></p> <p>— = Fibre</p> <p>Ø93 mm Ø3.66"</p> <p>Total no. = 1</p>
<p><b>7</b></p> <p>— = Fibre</p> <p>Ø65 mm Ø2.56"</p> <p>Total no. = 2</p>	<p><b>8</b></p> <p>— = Fibre</p> <p>Ø78 mm Ø3.07"</p> <p>Total no. = 1</p>	<p><b>9*</b></p> <p>— = Alu.</p> <p>Ø32 mm Ø1.26"</p> <p>Total no. = 1</p>	<p><b>10</b></p> <p>— = Alu.</p> <p>Ø22 mm Ø0.87"</p> <p>Total no. = 1</p>	<p><b>16</b></p>	<p><b>17</b></p> <p>Ø68 mm Ø2.68"</p>
<p><b>18</b></p> <p>Ø50 mm Ø1.97"</p>	<p><b>19</b></p> <p>Ø39 mm Ø1.54"</p> <p>Total no. = 1</p>	<p><b>23</b></p> <p>Ø65 mm Ø2.54"</p>			

\* The spare part is included in the package but is not used for PML size 40.

Data sheet – Spare parts and accessories

Overhaul kit | Code number 027F0558  
PML, size 50



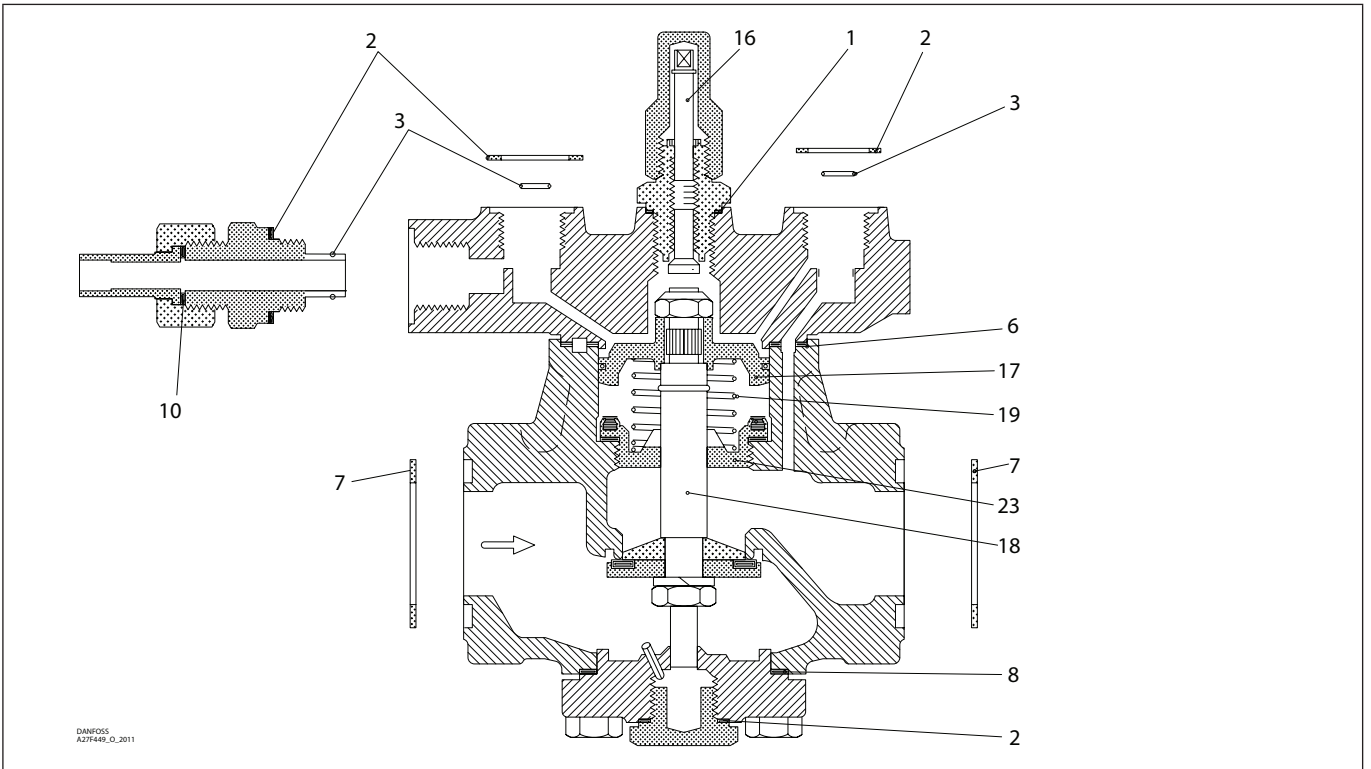
<p><b>1</b></p> <p>▨ = Alu.</p> <p>Ø26 mm Ø1.02"</p> <p>Total no. = 1</p>	<p><b>2</b></p> <p>▨ = Fibre</p> <p>Ø33 mm Ø1.28"</p> <p>Total no. = 4</p>	<p><b>3</b></p> <p>▨ = Alu.</p> <p>Ø9 mm Ø0.36"</p> <p>Total no. = 3</p>	<p><b>4*</b></p> <p>▨ = Alu.</p> <p>Ø18 mm Ø0.70"</p> <p>Total no. = 1</p>	<p><b>5*</b></p> <p>▨ = Alu.</p> <p>Ø14 mm Ø0.55"</p> <p>Total no. = 1</p>	<p><b>6</b></p> <p>▨ = Fibre</p> <p>Ø105 mm Ø4.13"</p> <p>Total no. = 1</p>
<p><b>7</b></p> <p>▨ = Fibre</p> <p>Ø76 mm Ø2.99"</p> <p>Total no. = 2</p>	<p><b>8</b></p> <p>▨ = Fibre</p> <p>Ø92 mm Ø3.62"</p> <p>Total no. = 1</p>	<p><b>9*</b></p> <p>▨ = Alu.</p> <p>Ø32 mm Ø1.26"</p> <p>Total no. = 1</p>	<p><b>10</b></p> <p>▨ = Alu.</p> <p>Ø22 mm Ø0.87"</p> <p>Total no. = 1</p>	<p><b>16</b></p>	<p><b>17</b></p> <p>Ø85 mm Ø3.35"</p>
<p><b>18</b></p> <p>Ø65 mm Ø2.56"</p>	<p><b>19</b></p> <p>Ø49 mm Ø1.93"</p> <p>Total no. = 1</p>	<p><b>23</b></p> <p>Ø78 mm Ø3.06"</p>			

\* The spare part is included in the package but is not used for PML size 50.

Data sheet – Spare parts and accessories

Overhaul kit | Code number 027F0559

PML, size 65

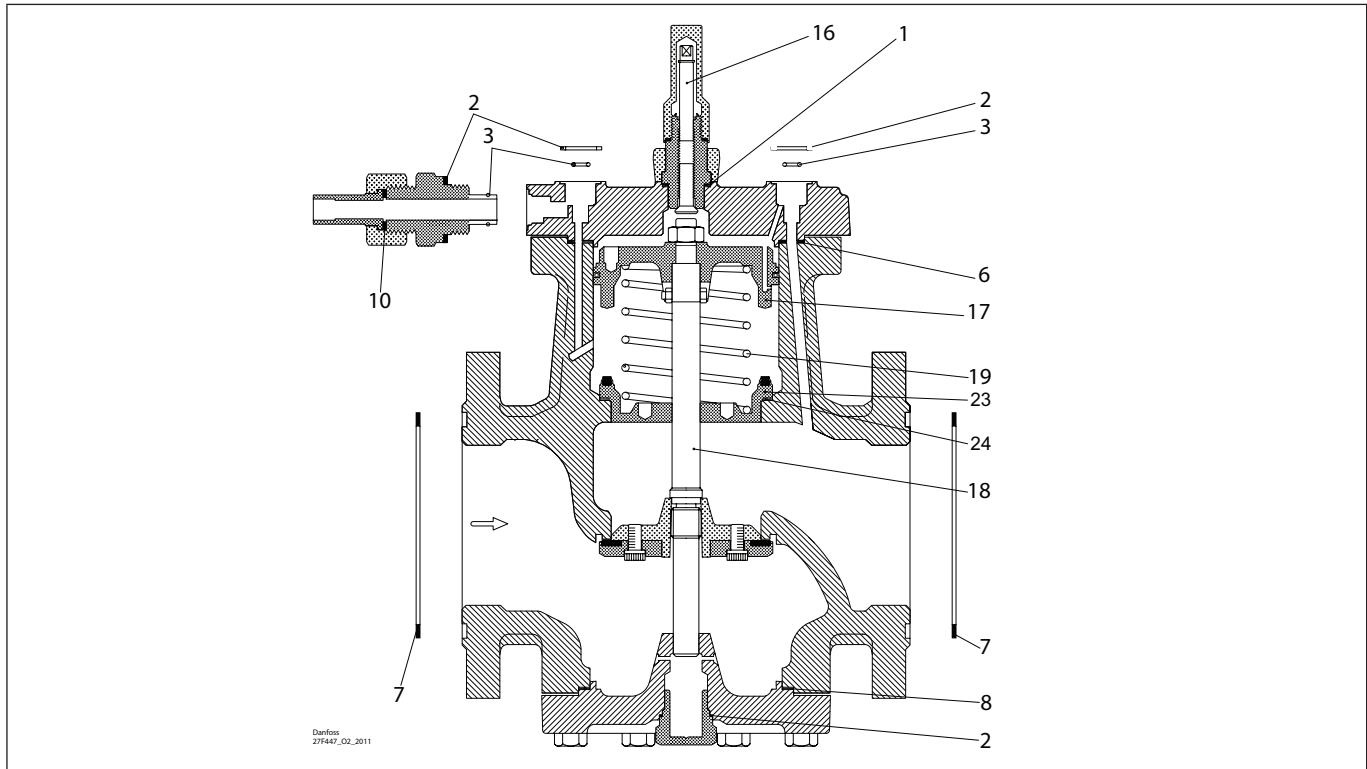


<p><b>1</b></p> <p> = Alu.</p> <p> <math>\varnothing 26 \text{ mm}</math> <math>\varnothing 1.02''</math></p> <p>Total no. = 1</p>	<p><b>2</b></p> <p> = Fibre</p> <p> <math>\varnothing 33 \text{ mm}</math> <math>\varnothing 1.28''</math></p> <p>Total no. = 4</p>	<p><b>3</b></p> <p> = Alu.</p> <p> <math>\varnothing 9 \text{ mm}</math> <math>\varnothing 0.36''</math></p> <p>Total no. = 3</p>	<p><b>4*</b></p> <p> = Alu.</p> <p> <math>\varnothing 18 \text{ mm}</math> <math>\varnothing 0.70''</math></p> <p>Total no. = 1</p>	<p><b>5*</b></p> <p> = Alu.</p> <p> <math>\varnothing 14 \text{ mm}</math> <math>\varnothing 0.55''</math></p> <p>Total no. = 1</p>	<p><b>6</b></p> <p> = Fibre</p> <p> <math>\varnothing 127 \text{ mm}</math> <math>\varnothing 5''</math></p> <p>Total no. = 1</p>
<p><b>7</b></p> <p> = Fibre</p> <p> <math>\varnothing 87 \text{ mm}</math> <math>\varnothing 3.43''</math></p> <p>Total no. = 2</p>	<p><b>8</b></p> <p> = Fibre</p> <p> <math>\varnothing 112 \text{ mm}</math> <math>\varnothing 4.41''</math></p> <p>Total no. = 1</p>	<p><b>9*</b></p> <p> = Alu.</p> <p> <math>\varnothing 32 \text{ mm}</math> <math>\varnothing 1.26''</math></p> <p>Total no. = 1</p>	<p><b>10</b></p> <p> = Alu.</p> <p> <math>\varnothing 22 \text{ mm}</math> <math>\varnothing 0.87''</math></p> <p>Total no. = 1</p>	<p><b>16</b></p>	<p><b>17</b></p> $\varnothing 105 \text{ mm}$ $\varnothing 4.13''$
<p><b>18</b></p> $\varnothing 76 \text{ mm}$ $\varnothing 2.99''$	<p><b>19</b></p> $\varnothing 65 \text{ mm}$ $\varnothing 2.56''$ <p>Total no. = 1</p>	<p><b>23</b></p> $\varnothing 96 \text{ mm}$ $\varnothing 3.76''$			

\* The spare part is included in the package but is not used for PML size 65.

Data sheet – Spare parts and accessories

Overhaul kit | Code number 027F0560  
PML, size 80

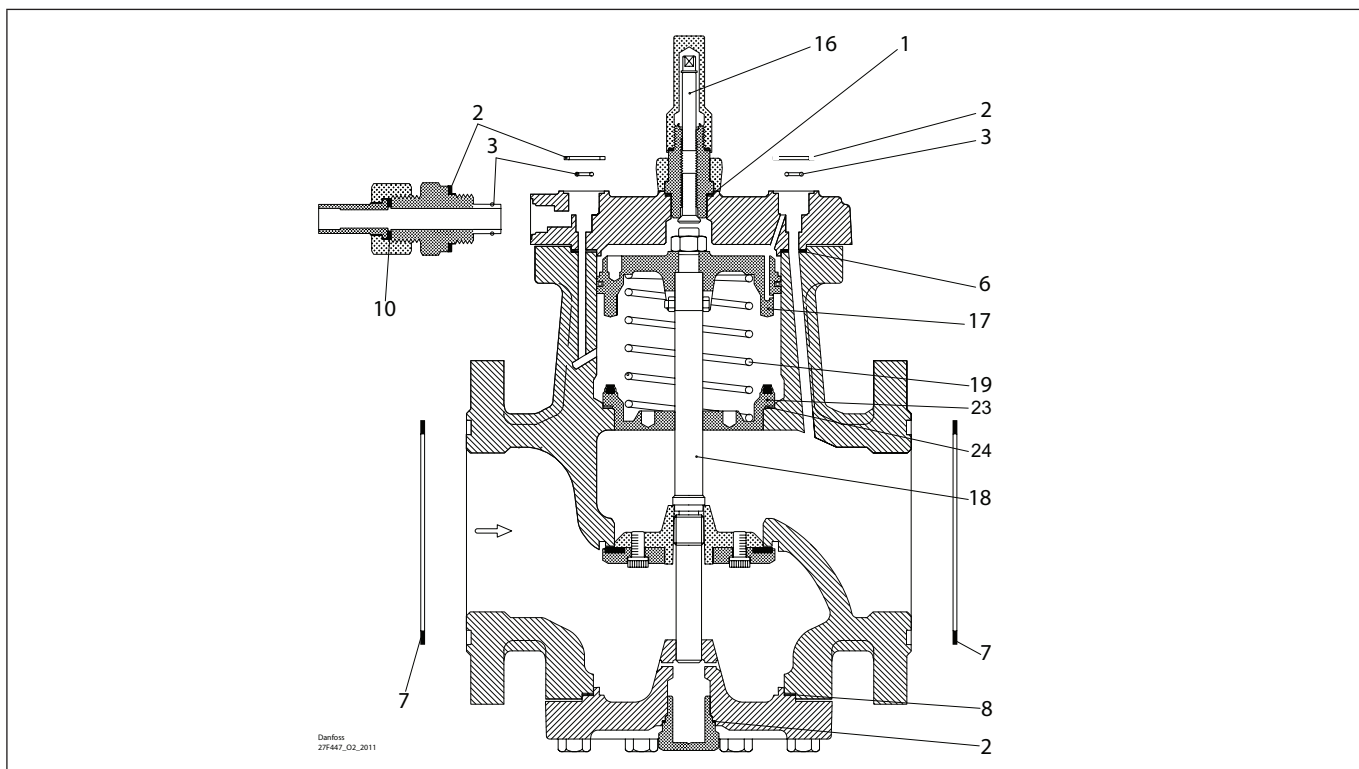


<p><b>1*</b></p> <p>Alu.</p> <p>Ø26 mm Ø1.02"</p> <p>Total no. = 1</p>	<p><b>2</b></p> <p>Fibre</p> <p>Ø33 mm Ø1.28"</p> <p>Total no. = 4</p>	<p><b>3</b></p> <p>Ø9 mm Ø0.36"</p> <p>Total no. = 3</p>	<p><b>4*</b></p> <p>Alu.</p> <p>Ø18 mm Ø0.70"</p> <p>Total no. = 1</p>	<p><b>5*</b></p> <p>Alu.</p> <p>Ø14 mm Ø0.55"</p> <p>Total no. = 1</p>	<p><b>6</b></p> <p>Fibre</p> <p>Ø154 mm Ø6.06"</p> <p>Total no. = 1</p>
<p><b>7</b></p> <p>Fibre</p> <p>Ø149 mm Ø5.87"</p> <p>Total no. = 2</p>	<p><b>8</b></p> <p>Fibre</p> <p>Ø134 mm Ø5.28"</p> <p>Total no. = 1</p>	<p><b>9*</b></p> <p>Alu.</p> <p>Ø32 mm Ø1.26"</p> <p>Total no. = 1</p>	<p><b>10</b></p> <p>Alu.</p> <p>Ø22 mm Ø0.87"</p> <p>Total no. = 1</p>	<p><b>16</b></p>	<p><b>17</b></p> <p>Ø120 mm Ø4.72"</p>
<p><b>18</b></p> <p>265 mm 10.44"</p>	<p><b>19</b></p> <p>Ø80 mm Ø3.15"</p> <p>Total no. = 1</p>	<p><b>23</b></p> <p>Ø114 mm Ø4.49"</p>	<p><b>24</b></p> <p>Fibre</p> <p>Ø113.4 mm Ø4.46"</p> <p>Total no. = 1</p>		

\* The spare part is included in the package but is not used for PML size 80.

Data sheet – Spare parts and accessories

Overhaul kit | Code number 027F0561  
PML, size 100

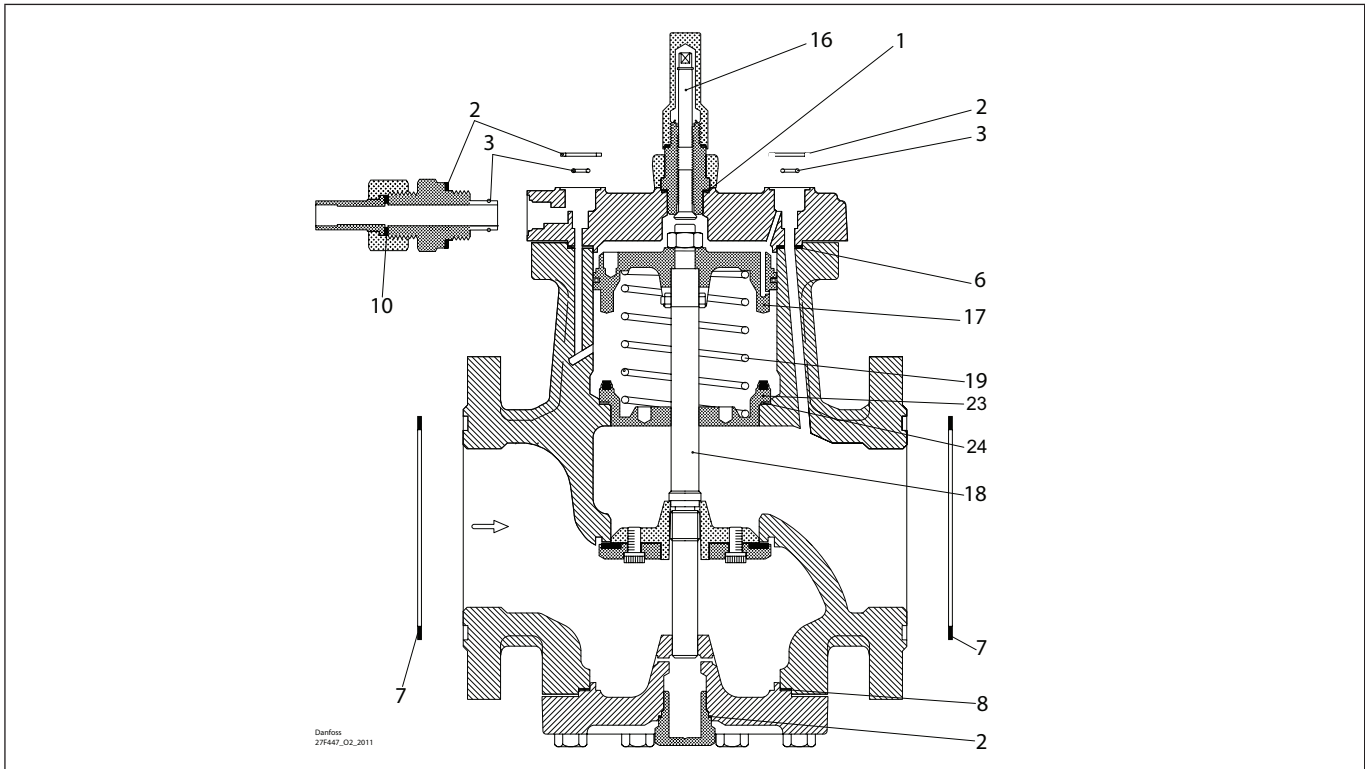


<p><b>1*</b></p> <p>Alu.</p> <p>Ø26 mm Ø1.02"</p> <p>Total no. = 1</p>	<p><b>2</b></p> <p>Fibre</p> <p>Ø33 mm Ø1.28"</p> <p>Total no. = 4</p>	<p><b>3</b></p> <p>Ø9 mm Ø0.36"</p> <p>Total no. = 3</p>	<p><b>4*</b></p> <p>Alu.</p> <p>Ø18 mm Ø0.70"</p> <p>Total no. = 1</p>	<p><b>5*</b></p> <p>Alu.</p> <p>Ø14 mm Ø0.55"</p> <p>Total no. = 1</p>	<p><b>6</b></p> <p>Fibre</p> <p>Ø185 mm Ø7.28"</p> <p>Total no. = 1</p>
<p><b>7</b></p> <p>Fibre</p> <p>Ø175 mm Ø6.89"</p> <p>Total no. = 2</p>	<p><b>8</b></p> <p>Fibre</p> <p>Ø168 mm Ø6.61"</p> <p>Total no. = 1</p>	<p><b>9*</b></p> <p>Alu.</p> <p>Ø32 mm Ø1.26"</p> <p>Total no. = 1</p>	<p><b>10</b></p> <p>Alu.</p> <p>Ø22 mm Ø0.87"</p> <p>Total no. = 1</p>	<p><b>16</b></p>	<p><b>17</b></p> <p>Ø145 mm Ø5.71"</p>
<p><b>18</b></p> <p>307 mm 12.09"</p>	<p><b>19</b></p> <p>Ø100 mm Ø3.94"</p> <p>Total no. = 1</p>	<p><b>23</b></p> <p>Ø135 mm Ø5.31"</p>	<p><b>24</b></p> <p>Fibre</p> <p>Ø134.4 mm Ø5.29"</p> <p>Total no. = 1</p>		

\* The spare part is included in the package but is not used for PML size 100.

Data sheet – Spare parts and accessories

Overhaul kit | Code number 027F0562  
PML, size 125



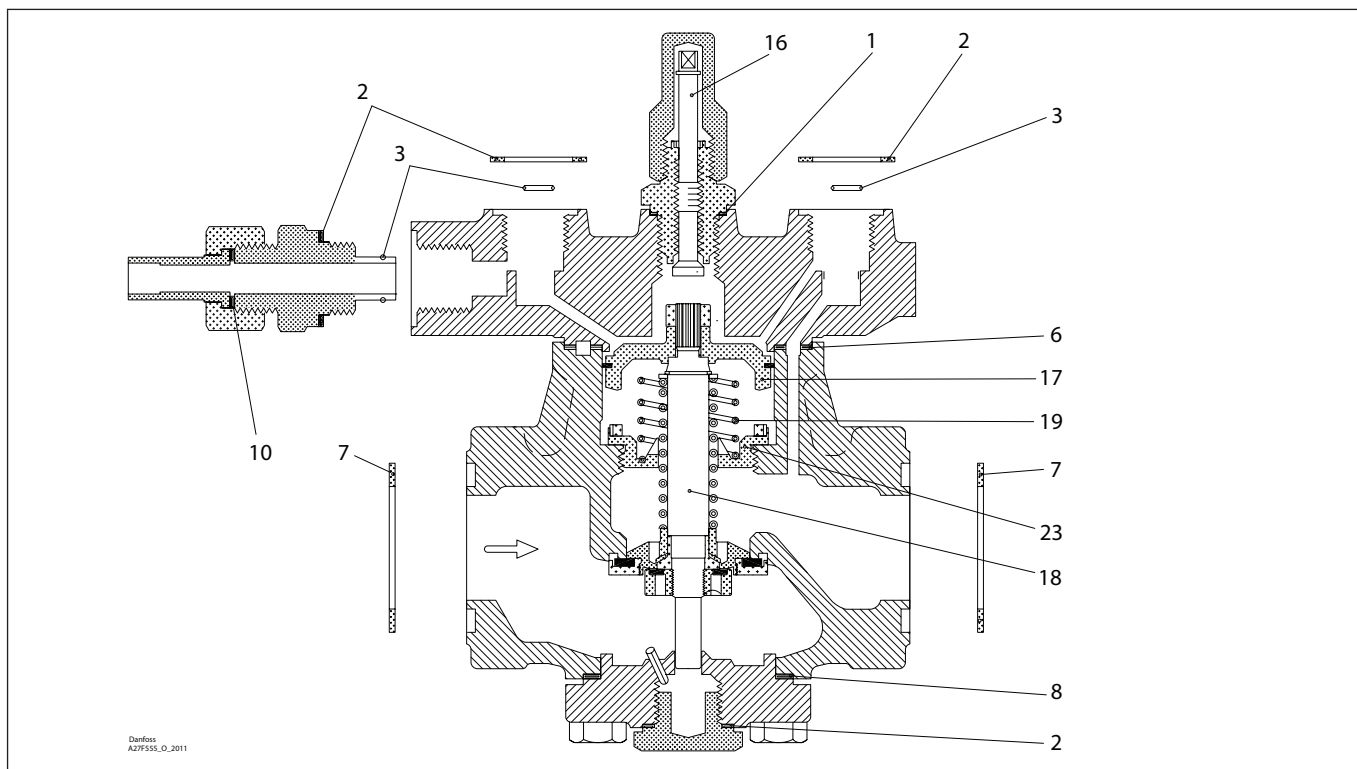
<p><b>1*</b></p> <p>▨ = Alu.</p> <p>Ø26 mm Ø1.02"</p> <p>Total no. = 1</p>	<p><b>2</b></p> <p>▨ = Fibre</p> <p>Ø33 mm Ø1.28"</p> <p>Total no. = 4</p>	<p><b>3</b></p> <p>Ø9 mm Ø0.36"</p> <p>Total no. = 3</p>	<p><b>4*</b></p> <p>▨ = Alu.</p> <p>Ø18 mm Ø0.70"</p> <p>Total no. = 1</p>	<p><b>5*</b></p> <p>▨ = Alu.</p> <p>Ø14 mm Ø0.55"</p> <p>Total no. = 1</p>	<p><b>6</b></p> <p>▨ = Fibre</p> <p>Ø221 mm Ø8.7"</p> <p>Total no. = 1</p>
<p><b>7</b></p> <p>▨ = Fibre</p> <p>Ø203 mm Ø7.99"</p> <p>Total no. = 2</p>	<p><b>8</b></p> <p>▨ = Fibre</p> <p>Ø196 mm Ø7.72"</p> <p>Total no. = 1</p>	<p><b>9*</b></p> <p>▨ = Alu.</p> <p>Ø32 mm Ø1.26"</p> <p>Total no. = 1</p>	<p><b>10</b></p> <p>▨ = Alu.</p> <p>Ø22 mm Ø0.87"</p> <p>Total no. = 1</p>	<p><b>16</b></p>	<p><b>17</b></p> <p>Ø175 mm Ø6.89"</p>
<p><b>18</b></p> <p>386 mm 15.21"</p>	<p><b>19</b></p> <p>Ø125 mm Ø4.92"</p> <p>Total no. = 1</p>	<p><b>23</b></p> <p>Ø160 mm Ø6.3"</p>	<p><b>24</b></p> <p>▨ = Fibre</p> <p>Ø159.4 mm Ø6.27"</p> <p>Total no. = 1</p>		

\* The spare part is included in the package but is not used for PML size 125.

Data sheet – Spare parts and accessories

Overhaul kit | Code number 027F0563

PMLX, size 32

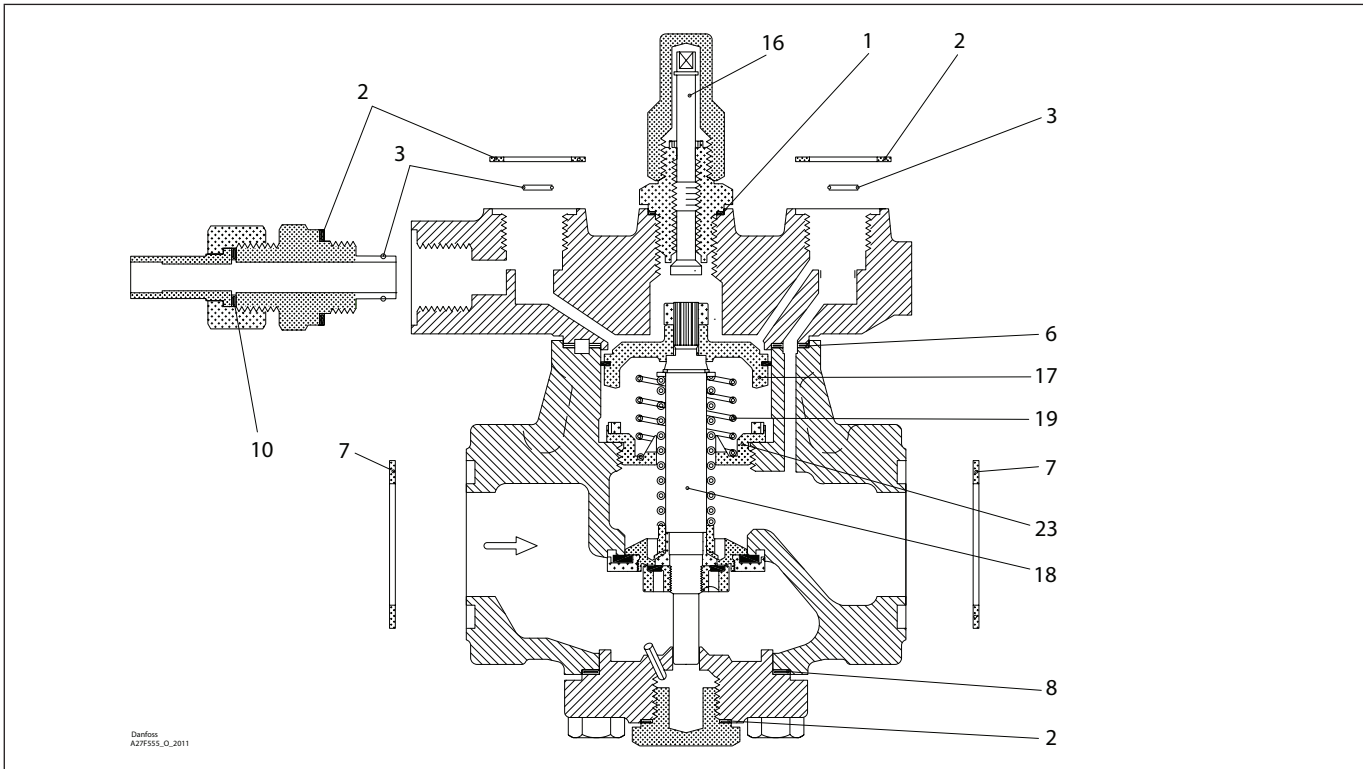


<p><b>1</b></p> <p> = Alu.</p> <p><math>\varnothing 26 \text{ mm}</math> <math>\varnothing 1.02''</math></p> <p>Total no. = 1</p>	<p><b>2</b></p> <p> = Fibre</p> <p><math>\varnothing 33 \text{ mm}</math> <math>\varnothing 1.28''</math></p> <p>Total no. = 4</p>	<p><b>3</b></p> <p> = Alu.</p> <p><math>\varnothing 9 \text{ mm}</math> <math>\varnothing 0.36''</math></p> <p>Total no. = 3</p>	<p><b>4*</b></p> <p> = Alu.</p> <p><math>\varnothing 18 \text{ mm}</math> <math>\varnothing 0.70''</math></p> <p>Total no. = 1</p>	<p><b>5*</b></p> <p> = Alu.</p> <p><math>\varnothing 14 \text{ mm}</math> <math>\varnothing 0.55''</math></p> <p>Total no. = 1</p>	<p><b>6</b></p> <p> = Fibre</p> <p><math>\varnothing 85 \text{ mm}</math> <math>\varnothing 3.35''</math></p> <p>Total no. = 1</p>
<p><b>7</b></p> <p> = Fibre</p> <p><math>\varnothing 58 \text{ mm}</math> <math>\varnothing 2.28''</math></p> <p>Total no. = 2</p>	<p><b>8*</b></p> <p> = Fibre</p> <p><math>\varnothing 70 \text{ mm}</math> <math>\varnothing 2.76''</math></p> <p>Total no. = 1</p>	<p><b>9*</b></p> <p> = Alu.</p> <p><math>\varnothing 32 \text{ mm}</math> <math>\varnothing 1.26''</math></p> <p>Total no. = 1</p>	<p><b>10</b></p> <p> = Alu.</p> <p><math>\varnothing 22 \text{ mm}</math> <math>\varnothing 0.87''</math></p> <p>Total no. = 1</p>	<p><b>16</b></p>	<p><b>17</b></p> <p><math>\varnothing 60 \text{ mm}</math> <math>\varnothing 2.36''</math></p>
<p><b>18</b></p> <p><math>\varnothing 42 \text{ mm}</math> <math>\varnothing 1.65''</math></p>	<p><b>19</b></p> <p><math>\varnothing 37 \text{ mm}</math> <math>\varnothing 1.46''</math></p> <p>Total no. = 1</p>	<p><b>23</b></p> <p><math>\varnothing 58 \text{ mm}</math> <math>\varnothing 2.28''</math></p>			

\* The spare part is included in the package but is not used for PMLX size 32.

Data sheet – Spare parts and accessories

Overhaul kit | Code number 027F0568  
PMLX, size 40



<p><b>1</b></p> <p> = Alu.</p> <p> Ø26 mm Ø1.02"</p> <p>Total no. = 1</p>	<p><b>2</b></p> <p> = Fibre</p> <p> Ø33 mm Ø1.28"</p> <p>Total no. = 4</p>	<p><b>3</b></p> <p> = Alu.</p> <p> Ø9 mm Ø0.36"</p> <p>Total no. = 3</p>	<p><b>4*</b></p> <p> = Alu.</p> <p> Ø18 mm Ø0.70"</p> <p>Total no. = 1</p>	<p><b>5*</b></p> <p> = Alu.</p> <p> Ø14 mm Ø0.55"</p> <p>Total no. = 1</p>	<p><b>6</b></p> <p> = Fibre</p> <p> Ø93 mm Ø3.66"</p> <p>Total no. = 1</p>
<p><b>7</b></p> <p> = Fibre</p> <p> Ø65 mm Ø2.56"</p> <p>Total no. = 2</p>	<p><b>8*</b></p> <p> = Fibre</p> <p> Ø78 mm Ø3.07"</p> <p>Total no. = 1</p>	<p><b>9*</b></p> <p> = Alu.</p> <p> Ø32 mm Ø1.26"</p> <p>Total no. = 1</p>	<p><b>10</b></p> <p> = Alu.</p> <p> Ø22 mm Ø0.87"</p> <p>Total no. = 1</p>	<p><b>16</b></p> <p></p>	<p><b>17</b></p> <p> Ø68 mm Ø2.63"</p>
<p><b>18</b></p> <p></p> <p>Ø50 mm Ø1.97"</p>	<p><b>19</b></p> <p></p> <p>Ø39 mm Ø1.54"</p> <p>Total no. = 1</p>	<p><b>23</b></p> <p> Ø65 mm Ø2.56"</p>			

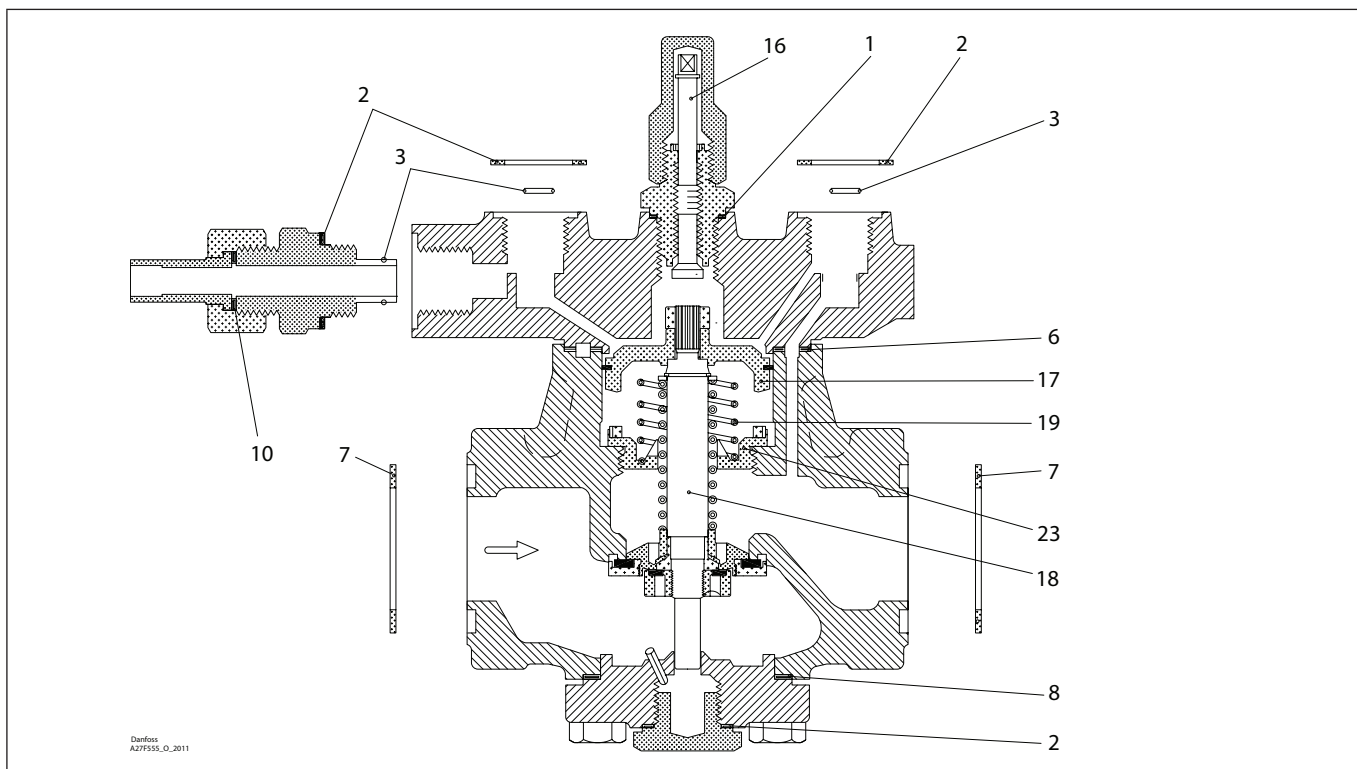
\* The spare part is included in the package but is not used for PMLX size 40.



Data sheet – Spare parts and accessories

Overhaul kit | Code number 027F0569

PMLX, size 50

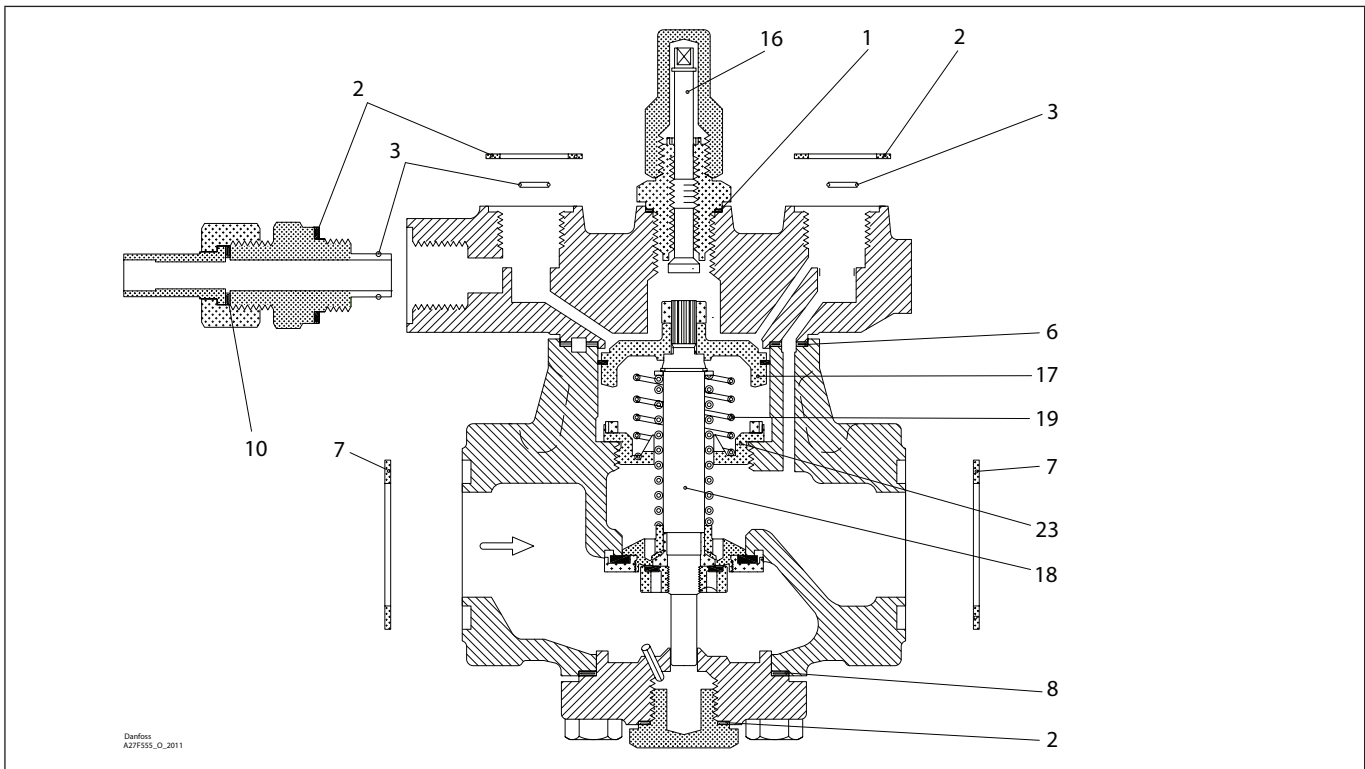


<p><b>1</b></p> <p> = Alu.</p> <p>Total no. = 1</p>	<p><b>2</b></p> <p> = Fibre</p> <p>Total no. = 4</p>	<p><b>3</b></p> <p>Total no. = 3</p>	<p><b>4*</b></p> <p> = Alu.</p> <p>Total no. = 1</p>	<p><b>5*</b></p> <p> = Alu.</p> <p>Total no. = 1</p>	<p><b>6</b></p> <p> = Fibre</p> <p>Total no. = 1</p>
<p><b>7</b></p> <p> = Fibre</p> <p>Total no. = 2</p>	<p><b>8*</b></p> <p> = Fibre</p> <p>Total no. = 1</p>	<p><b>9*</b></p> <p> = Alu.</p> <p>Total no. = 1</p>	<p><b>10</b></p> <p> = Alu.</p> <p>Total no. = 1</p>	<p><b>16</b></p>	<p><b>17</b></p>
<p><b>18</b></p>	<p><b>19</b></p> <p>Total no. = 1</p>	<p><b>23</b></p>			

\* The spare part is included in the package but is not used for PMLX size 50.

Data sheet – Spare parts and accessories

Overhaul kit | Code number 027F0570  
PMLX, size 65

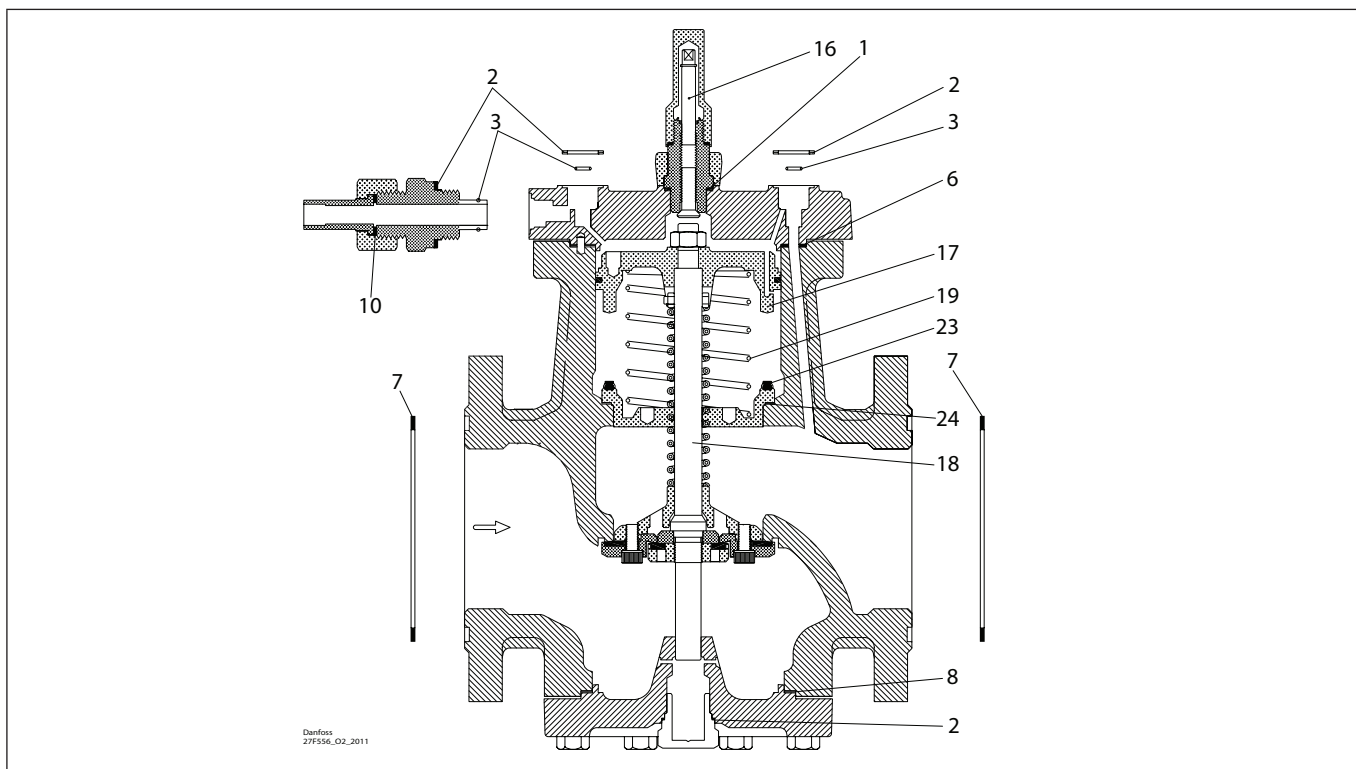


<p><b>1</b></p> <p>▨ = Alu.</p> <p>Ø26 mm Ø1.02"</p> <p>Total no. = 1</p>	<p><b>2</b></p> <p>▨ = Fibre</p> <p>Ø33 mm Ø1.28"</p> <p>Total no. = 4</p>	<p><b>3</b></p> <p>Ø9 mm Ø0.36"</p> <p>Total no. = 3</p>	<p><b>4*</b></p> <p>▨ = Alu.</p> <p>Ø18 mm Ø0.70"</p> <p>Total no. = 1</p>	<p><b>5*</b></p> <p>▨ = Alu.</p> <p>Ø14 mm Ø0.55"</p> <p>Total no. = 1</p>	<p><b>6</b></p> <p>▨ = Fibre</p> <p>Ø127 mm Ø5"</p> <p>Total no. = 1</p>
<p><b>7</b></p> <p>▨ = Fibre</p> <p>Ø87 mm Ø3.43"</p> <p>Total no. = 2</p>	<p><b>8*</b></p> <p>▨ = Fibre</p> <p>Ø112 mm Ø4.41"</p> <p>Total no. = 1</p>	<p><b>9*</b></p> <p>▨ = Alu.</p> <p>Ø32 mm Ø1.26"</p> <p>Total no. = 1</p>	<p><b>10</b></p> <p>▨ = Alu.</p> <p>Ø22 mm Ø0.87"</p> <p>Total no. = 1</p>	<p><b>16</b></p>	<p><b>17</b></p> <p>Ø105 mm Ø4.13"</p>
<p><b>18</b></p> <p>Ø76 mm Ø2.99"</p>	<p><b>19</b></p> <p>Ø65 mm Ø2.56"</p> <p>Total no. = 1</p>	<p><b>23</b></p> <p>Ø96 mm Ø3.78"</p>			

\* The spare part is included in the package but is not used for PMLX size 65.

Data sheet – Spare parts and accessories

Overhaul kit | Code number 027F0571  
PMLX, size 80

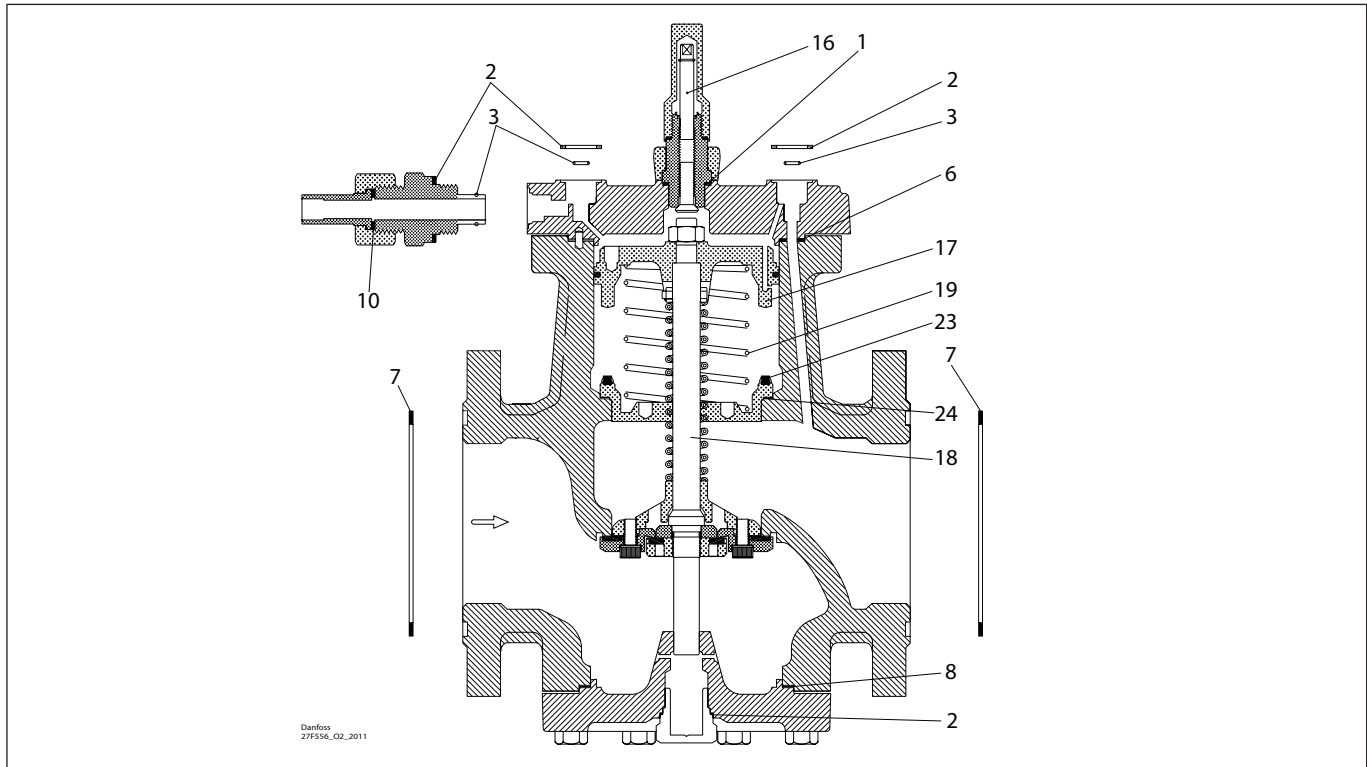


<p><b>1*</b></p> <p> = Alu.</p> <p></p> <p>Total no. = 1</p>	<p><b>2</b></p> <p> = Fibre</p> <p></p> <p>Total no. = 4</p>	<p><b>3</b></p> <p> = Alu.</p> <p></p> <p>Total no. = 3</p>	<p><b>4*</b></p> <p> = Alu.</p> <p></p> <p>Total no. = 1</p>	<p><b>5*</b></p> <p> = Alu.</p> <p></p> <p>Total no. = 1</p>	<p><b>6</b></p> <p> = Fibre</p> <p></p> <p>Total no. = 1</p>
<p><b>7</b></p> <p> = Fibre</p> <p></p> <p>Total no. = 2</p>	<p><b>8</b></p> <p> = Fibre</p> <p></p> <p>Total no. = 1</p>	<p><b>9*</b></p> <p> = Alu.</p> <p></p> <p>Total no. = 1</p>	<p><b>10</b></p> <p> = Alu.</p> <p></p> <p>Total no. = 1</p>	<p><b>16</b></p> <p></p>	<p><b>17</b></p> <p></p>
<p><b>18</b></p> <p></p>	<p><b>19</b></p> <p></p> <p>Total no. = 1</p>	<p><b>23</b></p> <p></p>	<p><b>24</b></p> <p> = Fibre</p> <p></p> <p>Total no. = 1</p>		

\* The spare part is included in the package but is not used for PMLX size 80.

Data sheet – Spare parts and accessories

Overhaul kit | Code number 027F0572  
PMLX, size 100

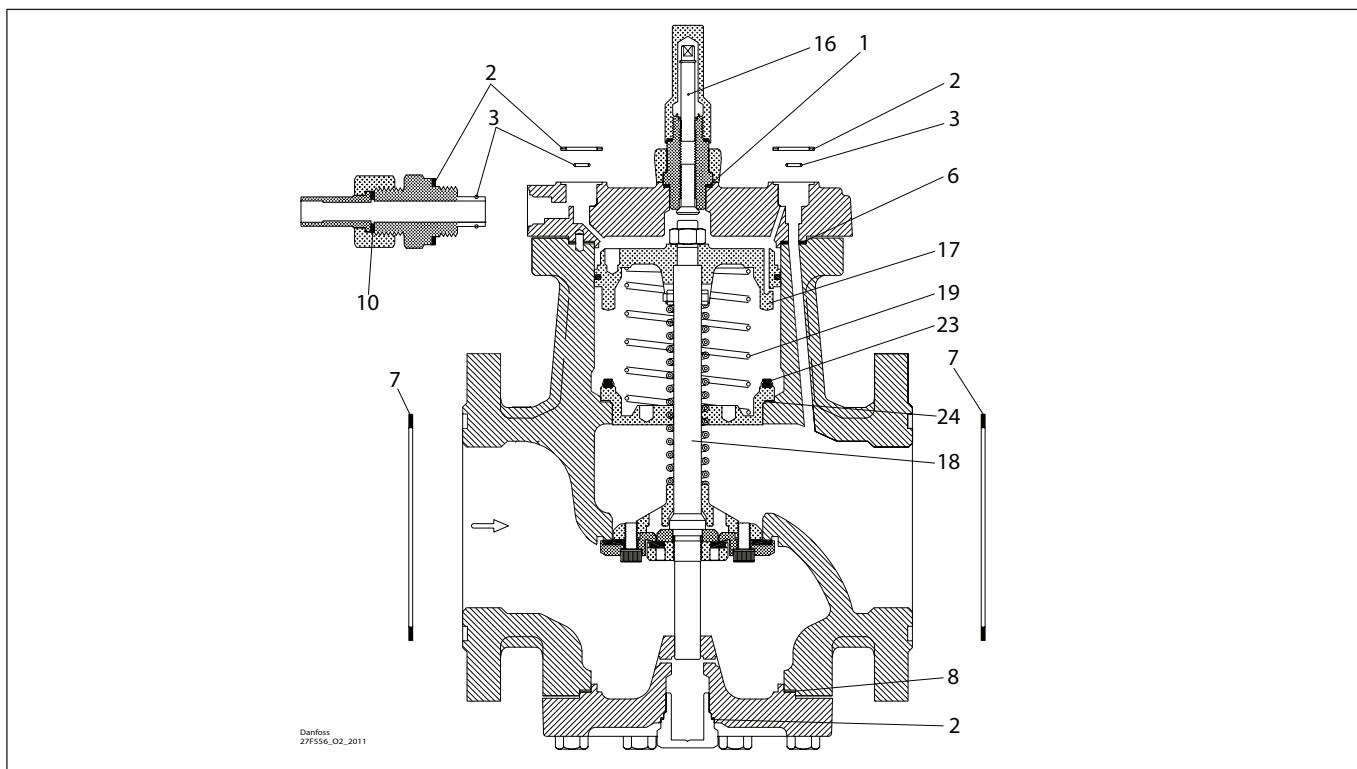


<p><b>1*</b></p> <p>▨ = Alu.</p> <p>Ø26 mm Ø1.02"</p> <p>Total no. = 1</p>	<p><b>2</b></p> <p>▨ = Fibre</p> <p>Ø33 mm Ø1.28"</p> <p>Total no. = 4</p>	<p><b>3</b></p> <p>Ø9 mm Ø0.36"</p> <p>Total no. = 3</p>	<p><b>4*</b></p> <p>▨ = Alu.</p> <p>Ø18 mm Ø0.70"</p> <p>Total no. = 1</p>	<p><b>5*</b></p> <p>▨ = Alu.</p> <p>Ø14 mm Ø0.55"</p> <p>Total no. = 1</p>	<p><b>6</b></p> <p>▨ = Fibre</p> <p>Ø185 mm Ø7.28"</p> <p>Total no. = 1</p>
<p><b>7</b></p> <p>▨ = Fibre</p> <p>Ø175 mm Ø6.89"</p> <p>Total no. = 2</p>	<p><b>8</b></p> <p>▨ = Fibre</p> <p>Ø168 mm Ø6.61"</p> <p>Total no. = 1</p>	<p><b>9*</b></p> <p>▨ = Alu.</p> <p>Ø32 mm Ø1.26"</p> <p>Total no. = 1</p>	<p><b>10</b></p> <p>▨ = Alu.</p> <p>Ø22 mm Ø0.87"</p> <p>Total no. = 1</p>	<p><b>16</b></p>	<p><b>17</b></p> <p>Ø145 mm Ø5.71"</p>
<p><b>18</b></p> <p>342 mm 13.46"</p>	<p><b>19</b></p> <p>Ø100 mm Ø3.94"</p> <p>Total no. = 1</p>	<p><b>23</b></p> <p>Ø135 mm Ø5.31"</p>	<p><b>24</b></p> <p>▨ = Fibre</p> <p>Ø134.4 mm Ø5.29"</p> <p>Total no. = 1</p>		

\* The spare part is included in the package but is not used for PMLX size 100.

Data sheet – Spare parts and accessories

Overhaul kit | Code number 027F0573  
PMLX, size 125

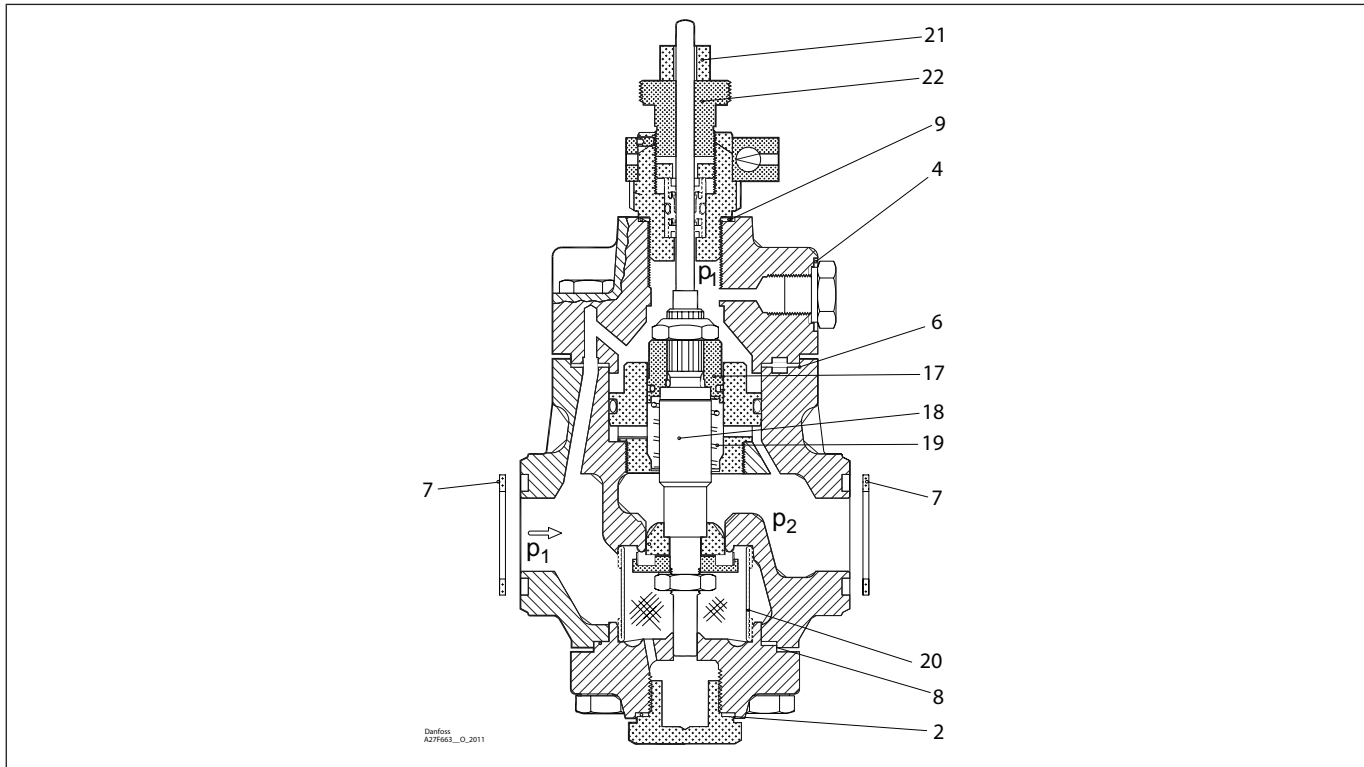


<p><b>1*</b></p> <p>Alu.</p> <p>Ø26 mm Ø1.02"</p> <p>Total no. = 1</p>	<p><b>2</b></p> <p>Fibre</p> <p>Ø33 mm Ø1.28"</p> <p>Total no. = 4</p>	<p><b>3</b></p> <p>Alu.</p> <p>Ø9 mm Ø0.36"</p> <p>Total no. = 3</p>	<p><b>4*</b></p> <p>Alu.</p> <p>Ø18 mm Ø0.70"</p> <p>Total no. = 1</p>	<p><b>5*</b></p> <p>Alu.</p> <p>Ø14 mm Ø0.55"</p> <p>Total no. = 1</p>	<p><b>6</b></p> <p>Fibre</p> <p>Ø221 mm Ø8.7"</p> <p>Total no. = 1</p>
<p><b>7</b></p> <p>Fibre</p> <p>Ø203 mm Ø7.99"</p> <p>Total no. = 2</p>	<p><b>8</b></p> <p>Fibre</p> <p>Ø196 mm Ø7.72"</p> <p>Total no. = 1</p>	<p><b>9*</b></p> <p>Alu.</p> <p>Ø32 mm Ø1.26"</p> <p>Total no. = 1</p>	<p><b>10</b></p> <p>Alu.</p> <p>Ø22 mm Ø0.87"</p> <p>Total no. = 1</p>	<p><b>16</b></p>	<p><b>17</b></p> <p>Ø175 mm Ø6.89"</p>
<p><b>18</b></p> <p>426 mm 16.75"</p>	<p><b>19</b></p> <p>Ø125 mm Ø4.92"</p> <p>Total no. = 1</p>	<p><b>23</b></p> <p>Ø160 mm Ø6.3"</p>	<p><b>24</b></p> <p>Fibre</p> <p>Ø159.4 mm Ø6.27"</p> <p>Total no. = 1</p>		

\* The spare part is included in the package but is not used for PMLX size 125.

Data sheet – Spare parts and accessories

**Overhaul kit | Code number 027F0577**  
**MRV, size 5**



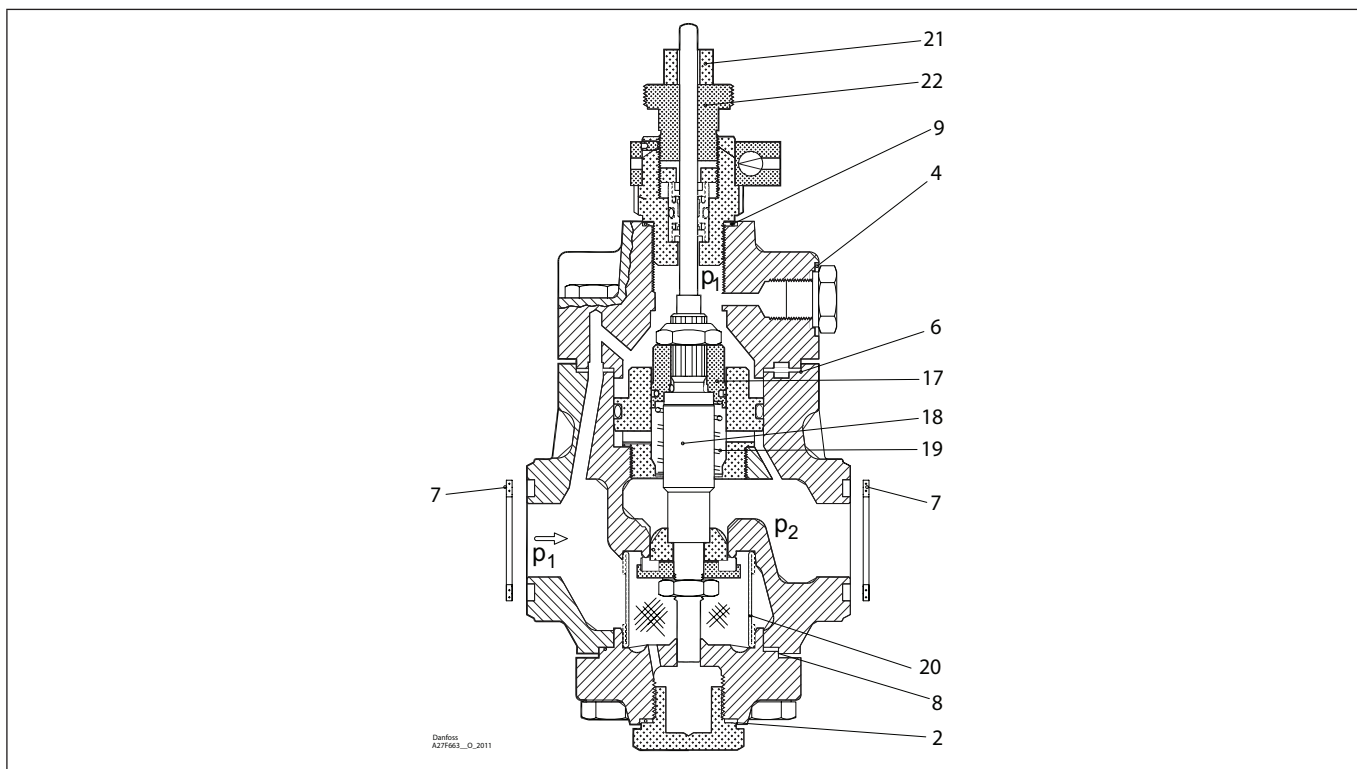
<p><b>1*</b></p> <p>▨ = Alu.</p> <p>Ø26 mm Ø1.02"</p> <p>Total no. = 1</p>	<p><b>2</b></p> <p>▨ = Fibre</p> <p>Ø33 mm Ø1.28"</p> <p>Total no. = 4</p>	<p><b>3*</b></p> <p>Ø9 mm Ø0.36"</p> <p>Total no. = 3</p>	<p><b>4</b></p> <p>▨ = Alu.</p> <p>Ø18 mm Ø0.70"</p> <p>Total no. = 1</p>	<p><b>5*</b></p> <p>▨ = Alu.</p> <p>Ø14 mm Ø0.55"</p> <p>Total no. = 1</p>	<p><b>6</b></p> <p>▨ = Fibre</p> <p>Ø75 mm Ø2.95"</p> <p>Total no. = 1</p>
<p><b>7</b></p> <p>▨ = Fibre</p> <p>Ø39 mm Ø1.54"</p> <p>Total no. = 2</p>	<p><b>8</b></p> <p>▨ = Fibre</p> <p>Ø60 mm Ø2.36"</p> <p>Total no. = 1</p>	<p><b>9</b></p> <p>▨ = Alu.</p> <p>Ø32 mm Ø1.26"</p> <p>Total no. = 1</p>	<p><b>10*</b></p> <p>▨ = Alu.</p> <p>Ø22 mm Ø0.87"</p> <p>Total no. = 1</p>	<p><b>17</b></p> <p>Ø25 mm Ø0.97"</p>	<p><b>18</b></p> <p>Ø26 mm Ø1.02"</p>
<p><b>19</b></p> <p>Ø22 mm Ø0.87"</p> <p>Total no. = 1</p>	<p><b>20</b></p> <p>Ø44 mm Ø1.73"</p> <p>Total no. = 1</p>	<p><b>21</b></p> <p>Ø17 mm Ø0.67"</p> <p>Total no. = 1</p>	<p><b>22</b></p> <p>9 mm 0.35"</p>		

\* The spare part is included in the package but is not used for MRV 5.

Data sheet – Spare parts and accessories

Overhaul kit | Code number 027F0578

MRV, size 10

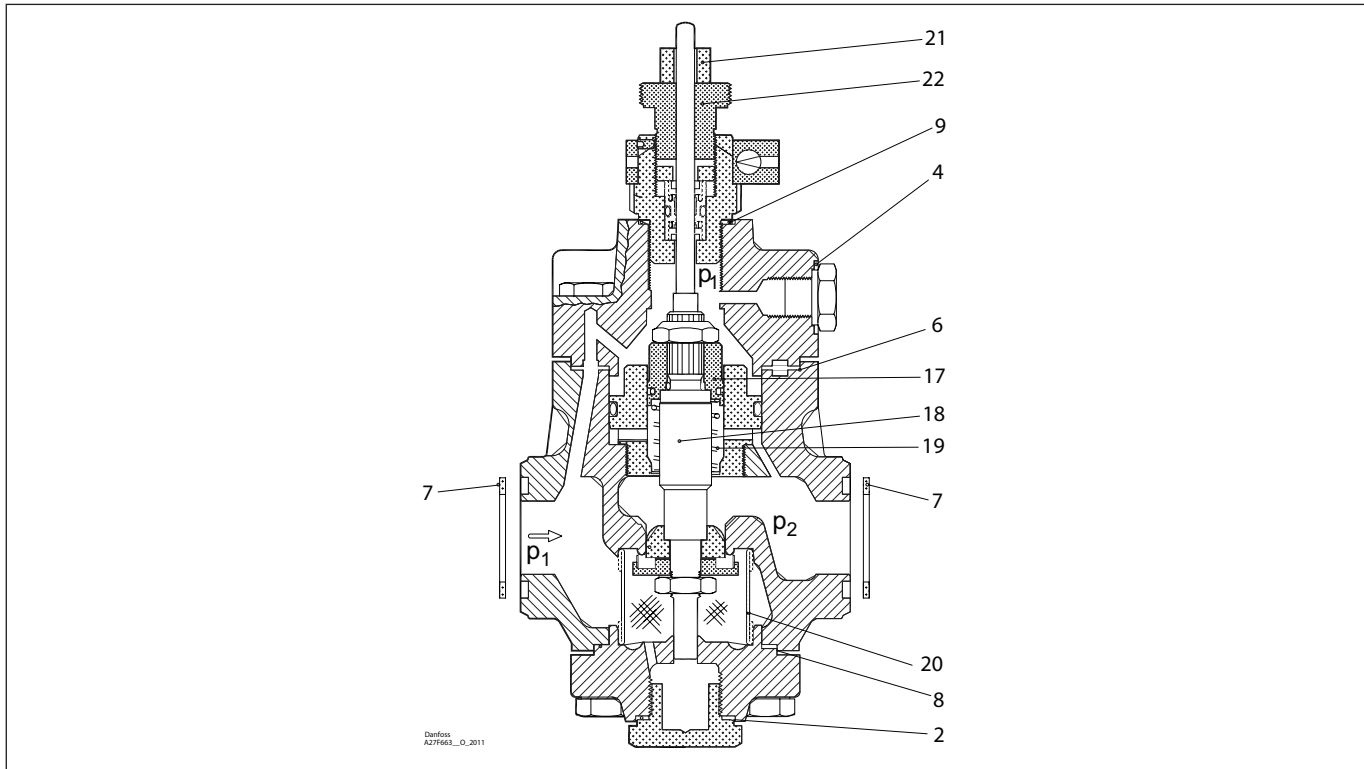


<p><b>1*</b></p> <p> = Alu.</p> <p></p> <p>Total no. = 1</p>	<p><b>2</b></p> <p> = Fibre</p> <p></p> <p>Total no. = 4</p>	<p><b>3*</b></p> <p> = Alu.</p> <p></p> <p>Total no. = 3</p>	<p><b>4</b></p> <p> = Alu.</p> <p></p> <p>Total no. = 1</p>	<p><b>5*</b></p> <p> = Alu.</p> <p></p> <p>Total no. = 1</p>	<p><b>6</b></p> <p> = Fibre</p> <p></p> <p>Total no. = 1</p>
<p><b>7</b></p> <p> = Fibre</p> <p></p> <p>Total no. = 2</p>	<p><b>8</b></p> <p> = Fibre</p> <p></p> <p>Total no. = 1</p>	<p><b>9</b></p> <p> = Alu.</p> <p></p> <p>Total no. = 1</p>	<p><b>10*</b></p> <p> = Alu.</p> <p></p> <p>Total no. = 1</p>	<p><b>17</b></p> <p></p>	<p><b>18</b></p> <p></p>
<p><b>19</b></p> <p></p> <p>Total no. = 1</p>	<p><b>20</b></p> <p></p> <p>Total no. = 1</p>	<p><b>21</b></p> <p></p> <p>Total no. = 1</p>	<p><b>22</b></p> <p></p>		

\* The spare part is included in the package but is not used for MRV 10.

Data sheet – Spare parts and accessories

Overhaul kit | Code number 027F0579  
MRV, size 15



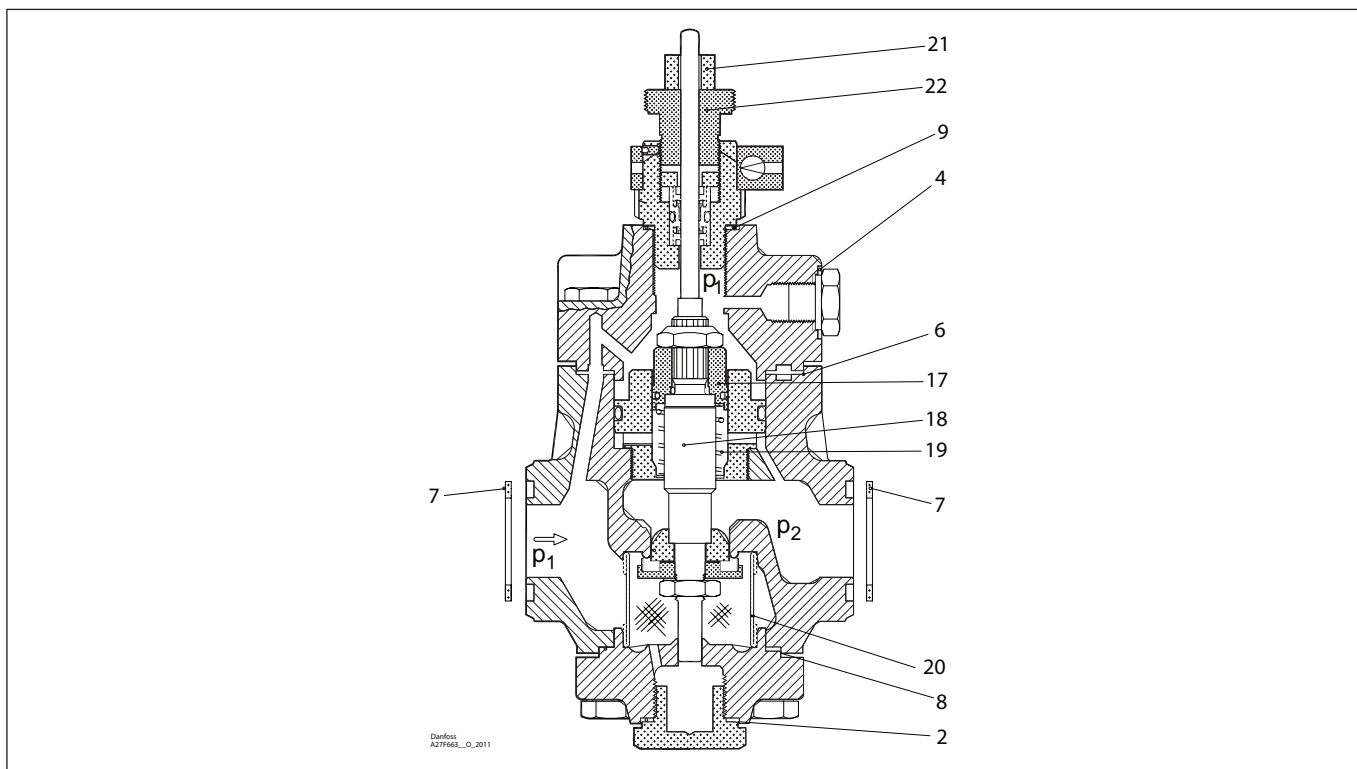
<p><b>1*</b></p> <p>▨ = Alu.</p> <p>Total no. = 1</p>	<p><b>2</b></p> <p>▨ = Fibre</p> <p>Total no. = 4</p>	<p><b>3*</b></p> <p>Total no. = 3</p>	<p><b>4</b></p> <p>▨ = Alu.</p> <p>Total no. = 1</p>	<p><b>5*</b></p> <p>▨ = Alu.</p> <p>Total no. = 1</p>	<p><b>6</b></p> <p>▨ = Fibre</p> <p>Total no. = 1</p>
<p><b>7</b></p> <p>▨ = Fibre</p> <p>Total no. = 2</p>	<p><b>8</b></p> <p>▨ = Fibre</p> <p>Total no. = 1</p>	<p><b>9</b></p> <p>▨ = Alu.</p> <p>Total no. = 1</p>	<p><b>10*</b></p> <p>▨ = Alu.</p> <p>Total no. = 1</p>	<p><b>17</b></p>	<p><b>18</b></p>
<p><b>19</b></p> <p>Total no. = 1</p>	<p><b>20</b></p> <p>Total no. = 1</p>	<p><b>21</b></p> <p>Total no. = 1</p>	<p><b>22</b></p>		

\* The spare part is included in the package but is not used for MRV 15.



Data sheet – Spare parts and accessories

Overhaul kit | Code number 027F0580  
MRV, size 20

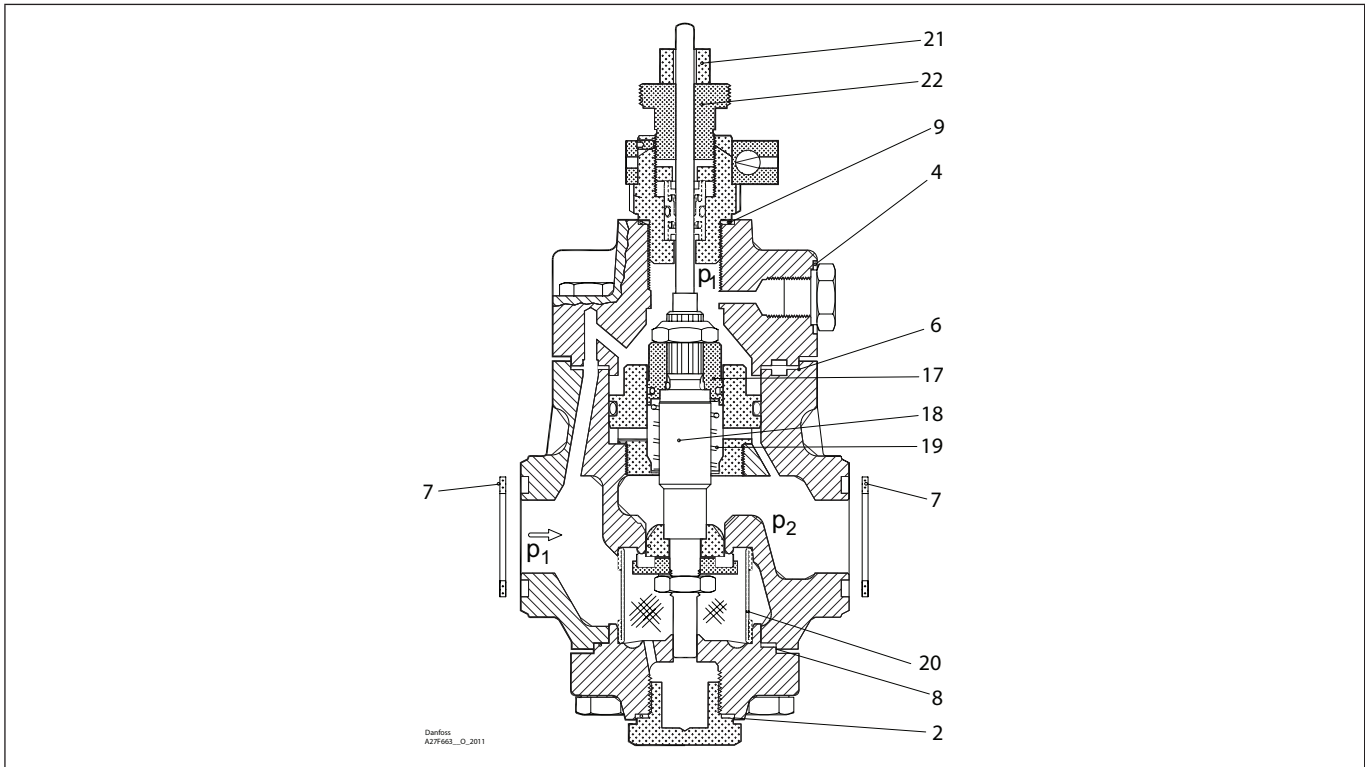


<p><b>1*</b></p> <p> = Alu.</p> <p><math>\varnothing 26 \text{ mm}</math> <math>\varnothing 1.02''</math></p> <p>Total no. = 1</p>	<p><b>2</b></p> <p> = Fibre</p> <p><math>\varnothing 33 \text{ mm}</math> <math>\varnothing 1.28''</math></p> <p>Total no. = 4</p>	<p><b>3*</b></p> <p> = Alu.</p> <p><math>\varnothing 9 \text{ mm}</math> <math>\varnothing 0.36''</math></p> <p>Total no. = 3</p>	<p><b>4</b></p> <p> = Alu.</p> <p><math>\varnothing 18 \text{ mm}</math> <math>\varnothing 0.70''</math></p> <p>Total no. = 1</p>	<p><b>5*</b></p> <p> = Alu.</p> <p><math>\varnothing 14 \text{ mm}</math> <math>\varnothing 0.55''</math></p> <p>Total no. = 1</p>	<p><b>6</b></p> <p> = Fibre</p> <p><math>\varnothing 75 \text{ mm}</math> <math>\varnothing 2.95''</math></p> <p>Total no. = 1</p>
<p><b>7</b></p> <p> = Fibre</p> <p><math>\varnothing 39 \text{ mm}</math> <math>\varnothing 1.54''</math></p> <p>Total no. = 2</p>	<p><b>8</b></p> <p> = Fibre</p> <p><math>\varnothing 60 \text{ mm}</math> <math>\varnothing 2.36''</math></p> <p>Total no. = 1</p>	<p><b>9</b></p> <p> = Alu.</p> <p><math>\varnothing 32 \text{ mm}</math> <math>\varnothing 1.26''</math></p> <p>Total no. = 1</p>	<p><b>10*</b></p> <p> = Alu.</p> <p><math>\varnothing 22 \text{ mm}</math> <math>\varnothing 0.87''</math></p> <p>Total no. = 1</p>	<p><b>17</b></p> <p> = Alu.</p> <p><math>\varnothing 25 \text{ mm}</math> <math>\varnothing 0.97''</math></p>	<p><b>18</b></p> <p> = Alu.</p> <p>15 mm 0.59''</p>
<p><b>19</b></p> <p> = Alu.</p> <p><math>\varnothing 22 \text{ mm}</math> <math>\varnothing 0.87''</math></p> <p>Total no. = 1</p>	<p><b>20</b></p> <p> = Alu.</p> <p><math>\varnothing 44 \text{ mm}</math> <math>\varnothing 1.73''</math></p> <p>Total no. = 1</p>	<p><b>21</b></p> <p> = Alu.</p> <p><math>\varnothing 17 \text{ mm}</math> <math>\varnothing 0.67''</math></p> <p>Total no. = 1</p>	<p><b>22</b></p> <p> = Alu.</p> <p>9 mm 0.35''</p>		

\* The spare part is included in the package but is not used for MRV 20.

Data sheet – Spare parts and accessories

Overhaul kit | Code number 027F0581  
MRV, size 25



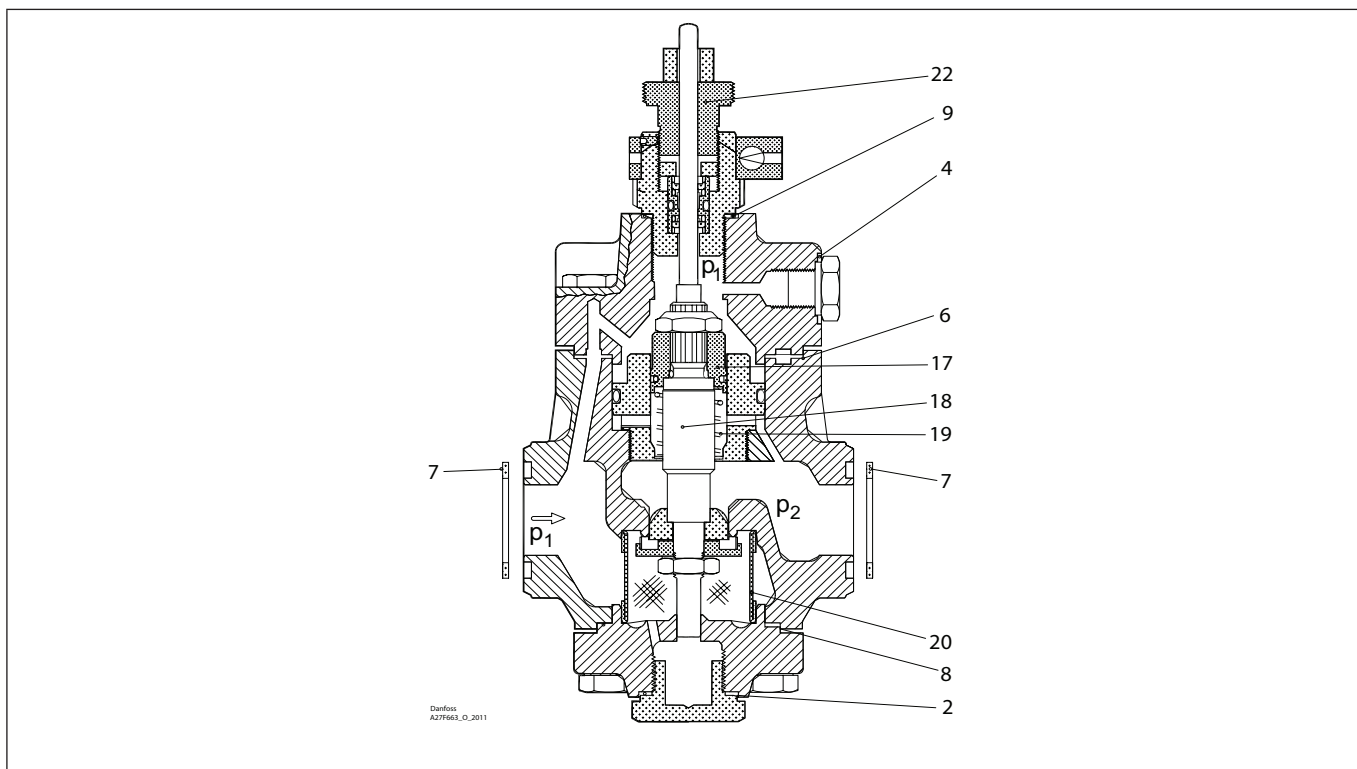
<p><b>1*</b></p> <p>Alu.</p> <p>Total no. = 1</p>	<p><b>2</b></p> <p>Fibre</p> <p>Total no. = 4</p>	<p><b>3*</b></p> <p>Total no. = 3</p>	<p><b>4</b></p> <p>Alu.</p> <p>Total no. = 1</p>	<p><b>5*</b></p> <p>Alu.</p> <p>Total no. = 1</p>	<p><b>6</b></p> <p>Fibre</p> <p>Total no. = 1</p>
<p><b>7</b></p> <p>Fibre</p> <p>Total no. = 2</p>	<p><b>8</b></p> <p>Fibre</p> <p>Total no. = 1</p>	<p><b>9</b></p> <p>Alu.</p> <p>Total no. = 1</p>	<p><b>10*</b></p> <p>Alu.</p> <p>Total no. = 1</p>	<p><b>17</b></p>	<p><b>18</b></p>
<p><b>19</b></p> <p>Total no. = 1</p>	<p><b>20</b></p> <p>Total no. = 1</p>	<p><b>21</b></p> <p>Total no. = 1</p>	<p><b>22</b></p>		

\* The spare part is included in the package but is not used for MRV 25.

Data sheet – Spare parts and accessories

Overhaul kit | Code number 027F0582

MRV, size 32

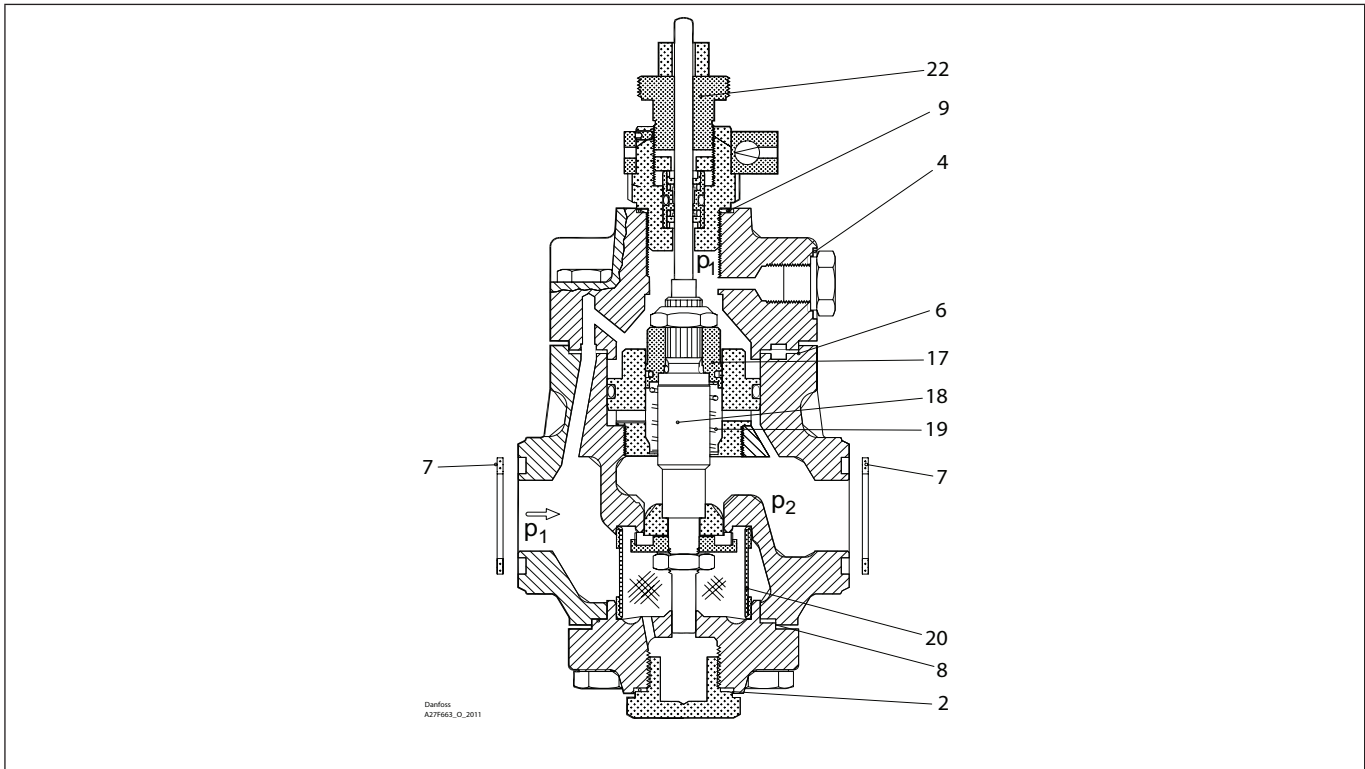


<p><b>1*</b></p> <p> = Alu.</p> <p><math>\varnothing 26 \text{ mm}</math> <math>\varnothing 1.02''</math></p> <p>Total no. = 1</p>	<p><b>2</b></p> <p> = Fibre</p> <p><math>\varnothing 33 \text{ mm}</math> <math>\varnothing 1.28''</math></p> <p>Total no. = 4</p>	<p><b>3*</b></p> <p> = Alu.</p> <p><math>\varnothing 9 \text{ mm}</math> <math>\varnothing 0.36''</math></p> <p>Total no. = 3</p>	<p><b>4</b></p> <p> = Alu.</p> <p><math>\varnothing 18 \text{ mm}</math> <math>\varnothing 0.70''</math></p> <p>Total no. = 1</p>	<p><b>5*</b></p> <p> = Alu.</p> <p><math>\varnothing 14 \text{ mm}</math> <math>\varnothing 0.55''</math></p> <p>Total no. = 1</p>	<p><b>6</b></p> <p> = Fibre</p> <p><math>\varnothing 85 \text{ mm}</math> <math>\varnothing 3.35''</math></p> <p>Total no. = 1</p>
<p><b>7</b></p> <p> = Fibre</p> <p><math>\varnothing 58 \text{ mm}</math> <math>\varnothing 2.28''</math></p> <p>Total no. = 2</p>	<p><b>8</b></p> <p> = Fibre</p> <p><math>\varnothing 70 \text{ mm}</math> <math>\varnothing 2.76''</math></p> <p>Total no. = 1</p>	<p><b>9</b></p> <p> = Alu.</p> <p><math>\varnothing 32 \text{ mm}</math> <math>\varnothing 1.26''</math></p> <p>Total no. = 1</p>	<p><b>10*</b></p> <p> = Alu.</p> <p><math>\varnothing 22 \text{ mm}</math> <math>\varnothing 0.87''</math></p> <p>Total no. = 1</p>	<p><b>17</b></p> <p></p> <p><math>\varnothing 30 \pm 0.2</math></p> <p>Total no. = 1</p>	<p><b>18</b></p> <p></p> <p><math>\varnothing 32 \text{ mm}</math> <math>\varnothing 1.26''</math></p>
<p><b>19</b></p> <p></p> <p><math>\varnothing 25 \text{ mm}</math> <math>\varnothing 0.98''</math></p> <p>Total no. = 1</p>	<p><b>20</b></p> <p></p> <p><math>\varnothing 51 \text{ mm}</math> <math>\varnothing 2.00''</math></p> <p>Total no. = 1</p>	<p><b>22</b></p> <p></p> <p>9mm 0.35''</p> <p>Total no. = 1</p>			

\* The spare part is included in the package but is not used for MRV 32.

Data sheet – Spare parts and accessories

Overhaul kit | Code number 027F0583  
MRV, size 40

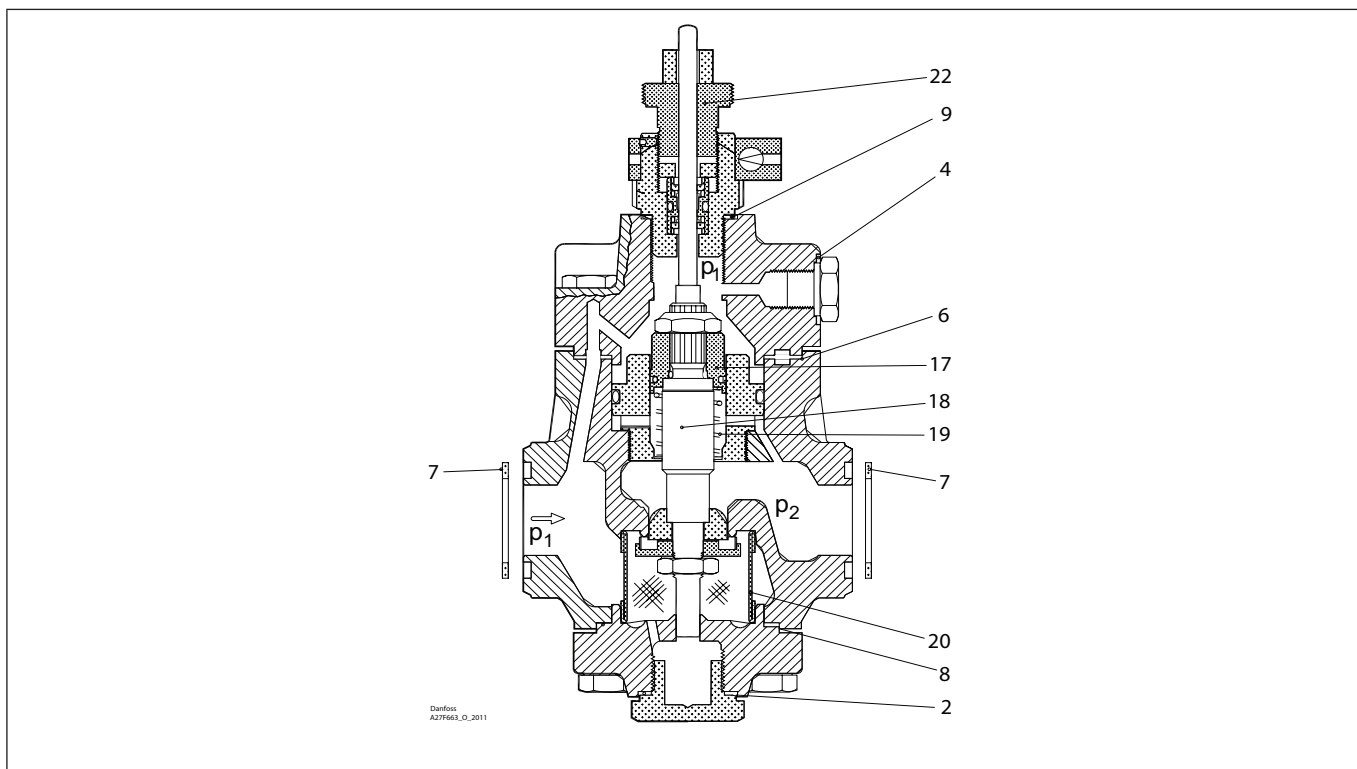


<p><b>1*</b></p> <p>Alu.</p> <p>Total no. = 1</p>	<p><b>2</b></p> <p>Fibre</p> <p>Total no. = 4</p>	<p><b>3*</b></p> <p>Total no. = 3</p>	<p><b>4</b></p> <p>Alu.</p> <p>Total no. = 1</p>	<p><b>5*</b></p> <p>Alu.</p> <p>Total no. = 1</p>	<p><b>6</b></p> <p>Fibre</p> <p>Total no. = 1</p>
<p><b>7</b></p> <p>Fibre</p> <p>Total no. = 2</p>	<p><b>8</b></p> <p>Fibre</p> <p>Total no. = 1</p>	<p><b>9</b></p> <p>Alu.</p> <p>Total no. = 1</p>	<p><b>10*</b></p> <p>Alu.</p> <p>Total no. = 1</p>	<p><b>17</b></p> <p>Total no. = 1</p>	<p><b>18</b></p>
<p><b>19</b></p> <p>Total no. = 1</p>	<p><b>20</b></p> <p>Total no. = 1</p>	<p><b>22</b></p> <p>Total no. = 1</p>			

\* The spare part is included in the package but is not used for MRV 40.

Data sheet – Spare parts and accessories

Overhaul kit | Code number 027F0584  
MRV, size 50

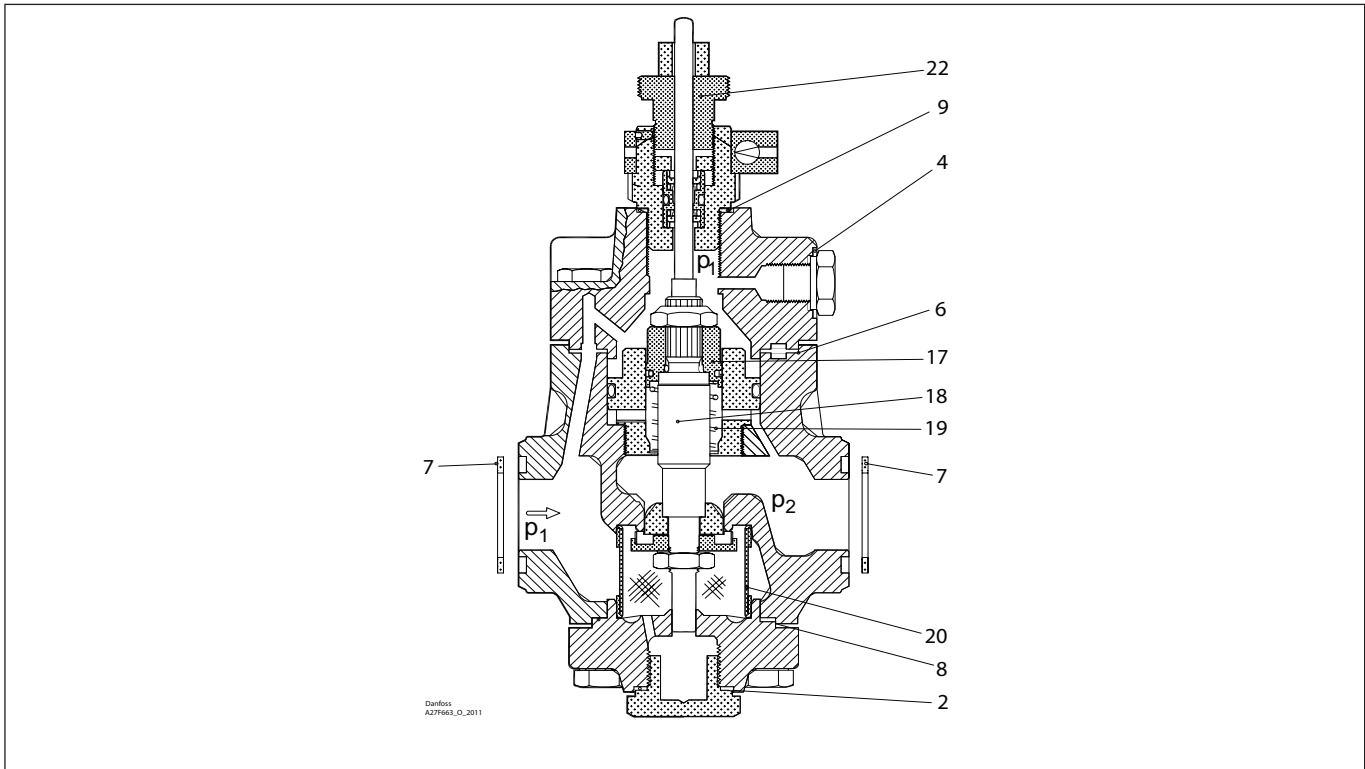


<p><b>1*</b></p> <p> = Alu.</p> <p><math>\varnothing 26 \text{ mm}</math> <math>\varnothing 1.02''</math></p> <p>Total no. = 1</p>	<p><b>2</b></p> <p> = Fibre</p> <p><math>\varnothing 33 \text{ mm}</math> <math>\varnothing 1.28''</math></p> <p>Total no. = 4</p>	<p><b>3*</b></p> <p> = Alu.</p> <p><math>\varnothing 9 \text{ mm}</math> <math>\varnothing 0.36''</math></p> <p>Total no. = 3</p>	<p><b>4</b></p> <p> = Alu.</p> <p><math>\varnothing 18 \text{ mm}</math> <math>\varnothing 0.70''</math></p> <p>Total no. = 1</p>	<p><b>5*</b></p> <p> = Alu.</p> <p><math>\varnothing 14 \text{ mm}</math> <math>\varnothing 0.55''</math></p> <p>Total no. = 1</p>	<p><b>6</b></p> <p> = Fibre</p> <p><math>\varnothing 105 \text{ mm}</math> <math>\varnothing 4.13''</math></p> <p>Total no. = 1</p>
<p><b>7</b></p> <p> = Fibre</p> <p><math>\varnothing 76 \text{ mm}</math> <math>\varnothing 2.99''</math></p> <p>Total no. = 2</p>	<p><b>8</b></p> <p> = Fibre</p> <p><math>\varnothing 92 \text{ mm}</math> <math>\varnothing 3.62''</math></p> <p>Total no. = 1</p>	<p><b>9</b></p> <p> = Alu.</p> <p><math>\varnothing 32 \text{ mm}</math> <math>\varnothing 1.26''</math></p> <p>Total no. = 1</p>	<p><b>10*</b></p> <p> = Alu.</p> <p><math>\varnothing 22 \text{ mm}</math> <math>\varnothing 0.87''</math></p> <p>Total no. = 1</p>	<p><b>17</b></p> <p> = Alu.</p> <p><math>\varnothing 49 \pm 0.2</math></p> <p>Total no. = 1</p>	<p><b>18</b></p> <p> = Fibre</p> <p><math>\varnothing 50 \text{ mm}</math> <math>\varnothing 1.97''</math></p> <p>Total no. = 1</p>
<p><b>19</b></p> <p> = Fibre</p> <p><math>\varnothing 34 \text{ mm}</math> <math>\varnothing 1.34''</math></p> <p>Total no. = 1</p>	<p><b>20</b></p> <p> = Fibre</p> <p><math>\varnothing 74 \text{ mm}</math> <math>\varnothing 2.91''</math></p> <p>Total no. = 1</p>	<p><b>22</b></p> <p> = Alu.</p> <p>9 mm 0.35''</p> <p>Total no. = 1</p>			

\* The spare part is included in the package but is not used for MRV 50.

Data sheet – Spare parts and accessories

Overhaul kit | Code number 027F0592  
MRV, size 65

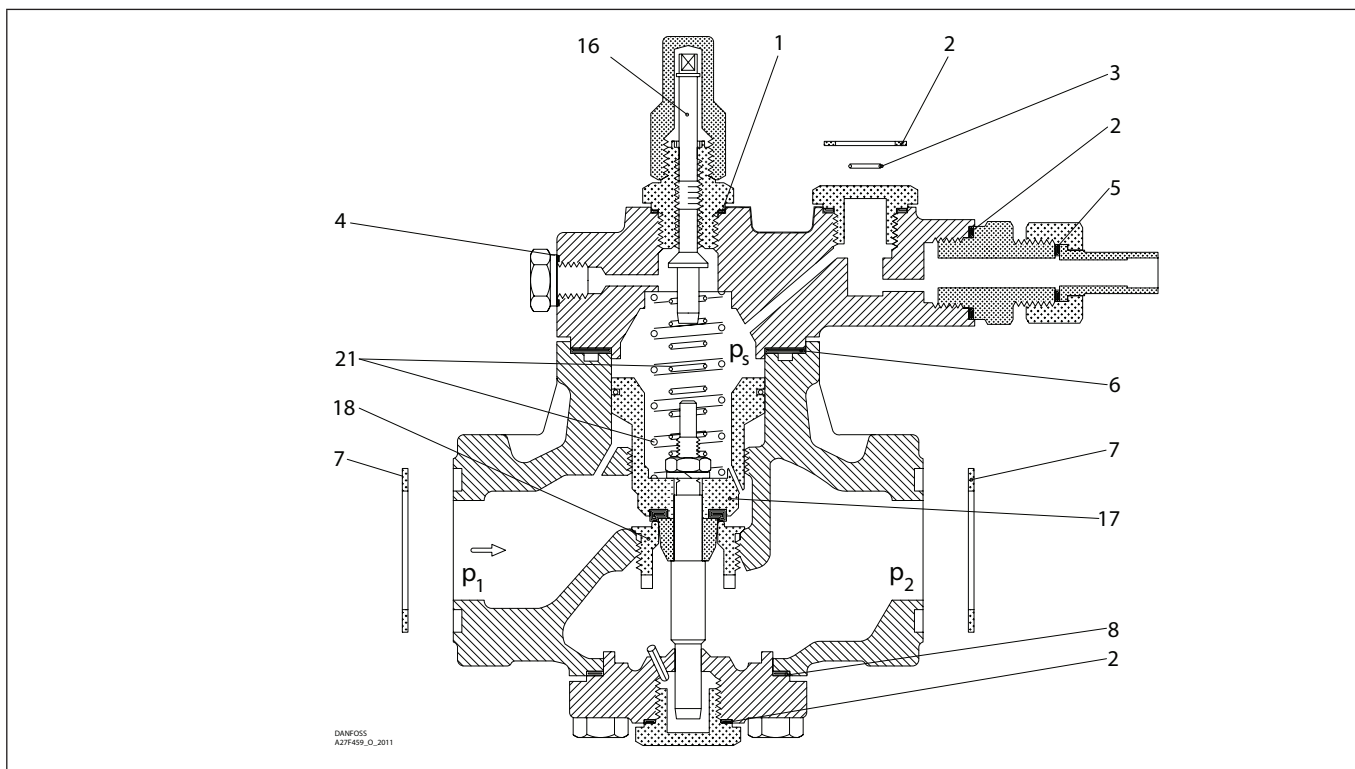


<p><b>1*</b></p> <p>▨ = Alu.</p> <p>Total no. = 1</p>	<p><b>2</b></p> <p>▨ = Fibre</p> <p>Total no. = 4</p>	<p><b>3*</b></p> <p>Total no. = 3</p>	<p><b>4</b></p> <p>▨ = Alu.</p> <p>Total no. = 1</p>	<p><b>5*</b></p> <p>▨ = Alu.</p> <p>Total no. = 1</p>	<p><b>6</b></p> <p>▨ = Fibre</p> <p>Total no. = 1</p>
<p><b>7</b></p> <p>▨ = Fibre</p> <p>Total no. = 2</p>	<p><b>8</b></p> <p>▨ = Fibre</p> <p>Total no. = 1</p>	<p><b>9</b></p> <p>▨ = Alu.</p> <p>Total no. = 1</p>	<p><b>10*</b></p> <p>▨ = Alu.</p> <p>Total no. = 1</p>	<p><b>17</b></p> <p>Total no. = 1</p>	<p><b>18</b></p>
<p><b>19</b></p> <p>Total no. = 1</p>	<p><b>20</b></p> <p>Total no. = 1</p>	<p><b>22</b></p> <p>Total no. = 1</p>			

\* The spare part is included in the package but is not used for MRV 65.

Data sheet – Spare parts and accessories

Overhaul kit | Code number 027F0611  
PMFL, size 80-1



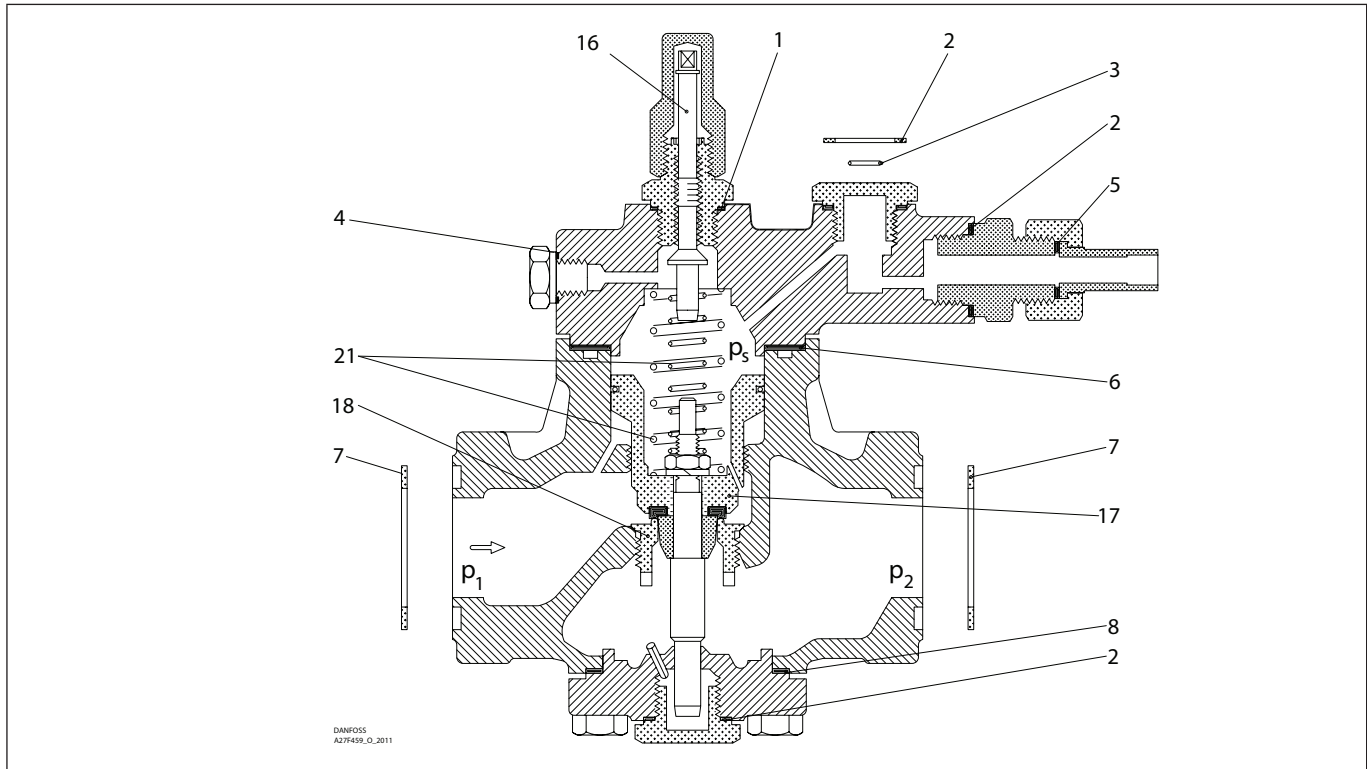
<p><b>1</b></p> <p>Alu.</p> <p>Total no. = 1</p>	<p><b>2</b></p> <p>Fibre</p> <p>Total no. = 4</p>	<p><b>3</b></p> <p>Total no. = 3</p>	<p><b>4</b></p> <p>Alu.</p> <p>Total no. = 1</p>	<p><b>5</b></p> <p>Alu.</p> <p>Total no. = 1</p>	<p><b>6</b></p> <p>Fibre</p> <p>Total no. = 1</p>
<p><b>7</b></p> <p>Fibre</p> <p>Total no. = 2</p>	<p><b>8</b></p> <p>Fibre</p> <p>Total no. = 1</p>	<p><b>9*</b></p> <p>Alu.</p> <p>Total no. = 1</p>	<p><b>10*</b></p> <p>Alu.</p> <p>Total no. = 1</p>	<p><b>16</b></p>	<p><b>17</b></p>
<p><b>18</b></p>	<p><b>21</b> Standard</p> <p>1 set</p>				

\* The spare part is included in the package but is not used for PMFL size 80-1.

For identification and installation of Weak and Strong spring sets please see Installation guide DKRCI.PI.GE1.C

Data sheet – Spare parts and accessories

Overhaul kit | Code number 027F0631  
PMFL, size 80-2



<p><b>1</b></p> <p>▨ = Alu.</p> <p>Ø26 mm Ø1.02"</p> <p>Total no. = 1</p>	<p><b>2</b></p> <p>▨ = Fibre</p> <p>Ø33 mm Ø1.28"</p> <p>Total no. = 4</p>	<p><b>3</b></p> <p>Ø9 mm Ø0.36"</p> <p>Total no. = 3</p>	<p><b>4</b></p> <p>▨ = Alu.</p> <p>Ø18 mm Ø0.70"</p> <p>Total no. = 1</p>	<p><b>5</b></p> <p>▨ = Alu.</p> <p>Ø14 mm Ø0.55"</p> <p>Total no. = 1</p>	<p><b>6</b></p> <p>▨ = Fibre</p> <p>Ø75 mm Ø2.95"</p> <p>Total no. = 1</p>
<p><b>7</b></p> <p>▨ = Fibre</p> <p>Ø39 mm Ø1.54"</p> <p>Total no. = 2</p>	<p><b>8</b></p> <p>▨ = Fibre</p> <p>Ø60 mm Ø2.36"</p> <p>Total no. = 1</p>	<p><b>9*</b></p> <p>▨ = Alu.</p> <p>Ø32 mm Ø1.26"</p> <p>Total no. = 1</p>	<p><b>10*</b></p> <p>▨ = Alu.</p> <p>Ø22 mm Ø0.87"</p> <p>Total no. = 1</p>	<p><b>16</b></p>	<p><b>17</b></p> <p>Ø80 mm Ø3.15"</p>
<p><b>18</b></p> <p>Ø18 mm Ø0.71"</p>	<p><b>21</b> Standard</p> <p>Ø13 mm Ø0.51"</p> <p>Ø25 mm Ø0.98"</p> <p>1 set</p>				

\* The spare part is included in the package but is not used for PMFL size 80-2.

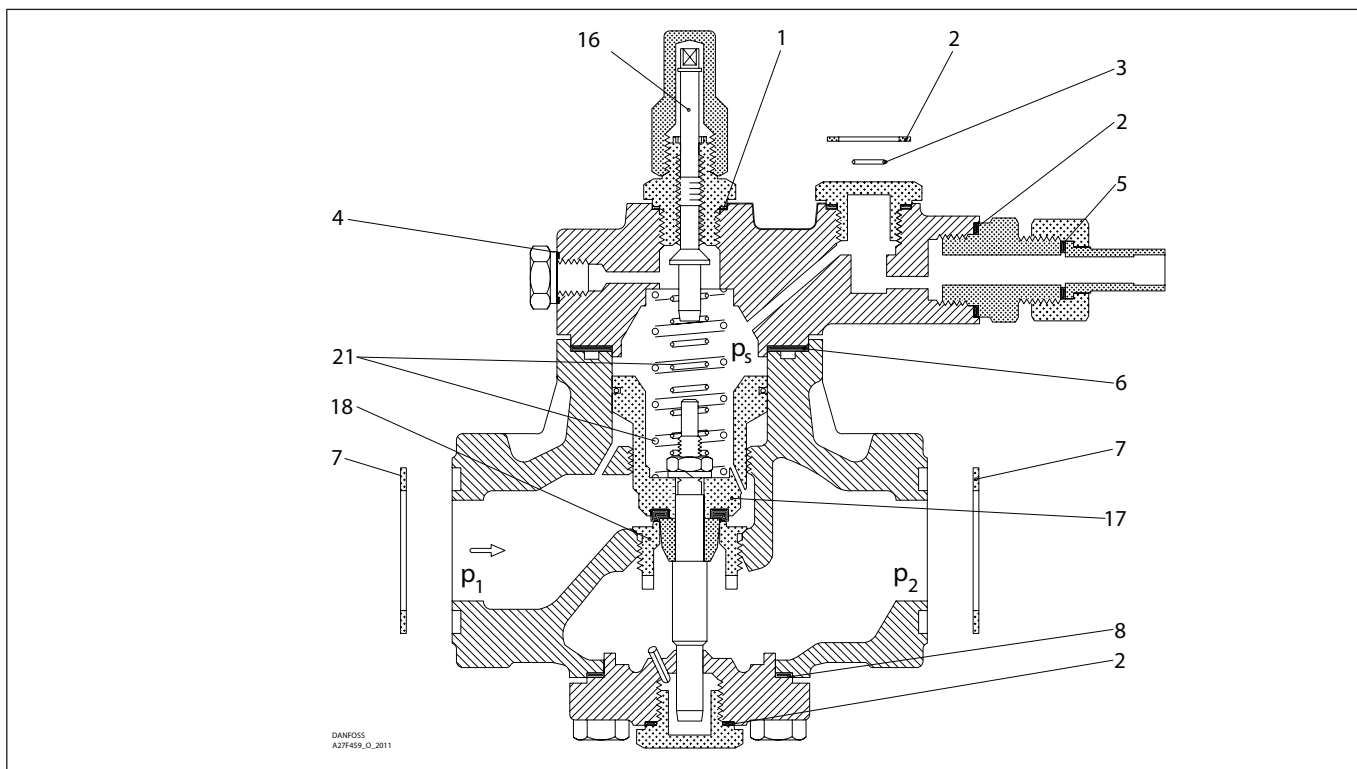
For identification and installation of Weak and Strong spring sets please see Installation guide DKRCI.PI.GE1.C



Data sheet – Spare parts and accessories

Overhaul kit | Code number 027F0632

PMFL, size 80-3



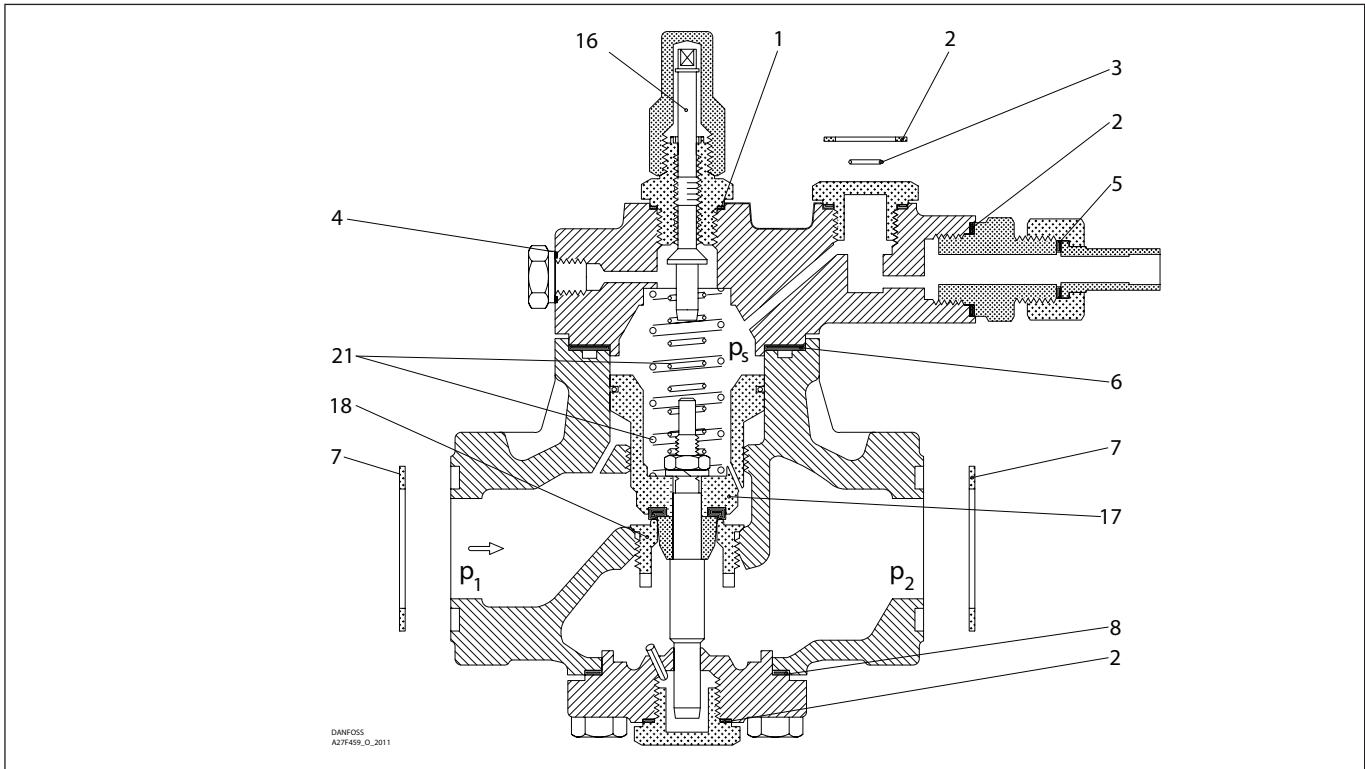
<p><b>1</b></p> <p>Alu.</p> <p>Ø26 mm Ø1.02"</p> <p>Total no. = 1</p>	<p><b>2</b></p> <p>Fibre</p> <p>Ø33 mm Ø1.28"</p> <p>Total no. = 4</p>	<p><b>3</b></p> <p>Ø9 mm Ø0.36"</p> <p>Total no. = 3</p>	<p><b>4</b></p> <p>Alu.</p> <p>Ø18 mm Ø0.70"</p> <p>Total no. = 1</p>	<p><b>5</b></p> <p>Alu.</p> <p>Ø14 mm Ø0.55"</p> <p>Total no. = 1</p>	<p><b>6</b></p> <p>Fibre</p> <p>Ø75 mm Ø2.95"</p> <p>Total no. = 1</p>
<p><b>7</b></p> <p>Fibre</p> <p>Ø39 mm Ø1.54"</p> <p>Total no. = 2</p>	<p><b>8</b></p> <p>Fibre</p> <p>Ø60 mm Ø2.36"</p> <p>Total no. = 1</p>	<p><b>9*</b></p> <p>Alu.</p> <p>Ø32 mm Ø1.26"</p> <p>Total no. = 1</p>	<p><b>10*</b></p> <p>Alu.</p> <p>Ø22 mm Ø0.87"</p> <p>Total no. = 1</p>	<p><b>16</b></p>	<p><b>17</b></p> <p>Ø80 mm Ø3.15"</p>
<p><b>18</b></p> <p>Ø18 mm Ø0.71"</p>	<p><b>21</b> Standard</p> <p>Ø13 mm Ø0.51"</p> <p>Ø25 mm Ø0.98"</p> <p>1 set</p>				

\* The spare part is included in the package but is not used for PMFL size 80-3.

For identification and installation of Weak and Strong spring sets please see Installation guide DKRCI.PI.GE1.C

Data sheet – Spare parts and accessories

**Overhaul kit | Code number 027F0633**  
**PMFL, size 80-4**



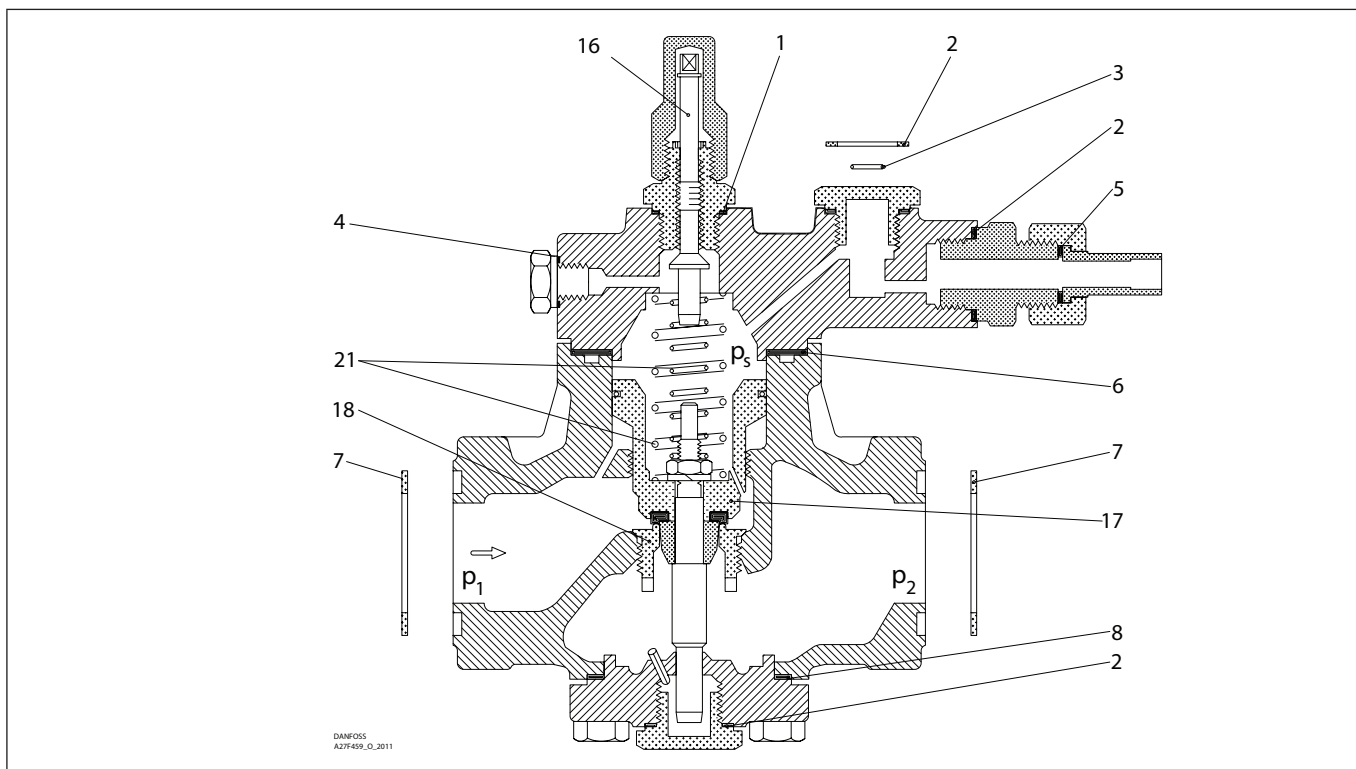
<p><b>1</b></p> <p>▨ = Alu.</p> <p>Total no. = 1</p>	<p><b>2</b></p> <p>▨ = Fibre</p> <p>Total no. = 4</p>	<p><b>3</b></p> <p>Total no. = 3</p>	<p><b>4</b></p> <p>▨ = Alu.</p> <p>Total no. = 1</p>	<p><b>5</b></p> <p>▨ = Alu.</p> <p>Total no. = 1</p>	<p><b>6</b></p> <p>▨ = Fibre</p> <p>Total no. = 1</p>
<p><b>7</b></p> <p>▨ = Fibre</p> <p>Total no. = 2</p>	<p><b>8</b></p> <p>▨ = Fibre</p> <p>Total no. = 1</p>	<p><b>9*</b></p> <p>▨ = Alu.</p> <p>Total no. = 1</p>	<p><b>10*</b></p> <p>▨ = Alu.</p> <p>Total no. = 1</p>	<p><b>16</b></p>	<p><b>17</b></p>
<p><b>18</b></p>	<p><b>21</b> Standard</p> <p>1 set</p>				

\* The spare part is included in the package but is not used for PMFL size 80-4.

For identification and installation of Weak and Strong spring sets please see Installation guide DKRCI.PI.GE1.C

Data sheet – Spare parts and accessories

Overhaul kit | Code number 027F0634  
PMFL, size 80-5



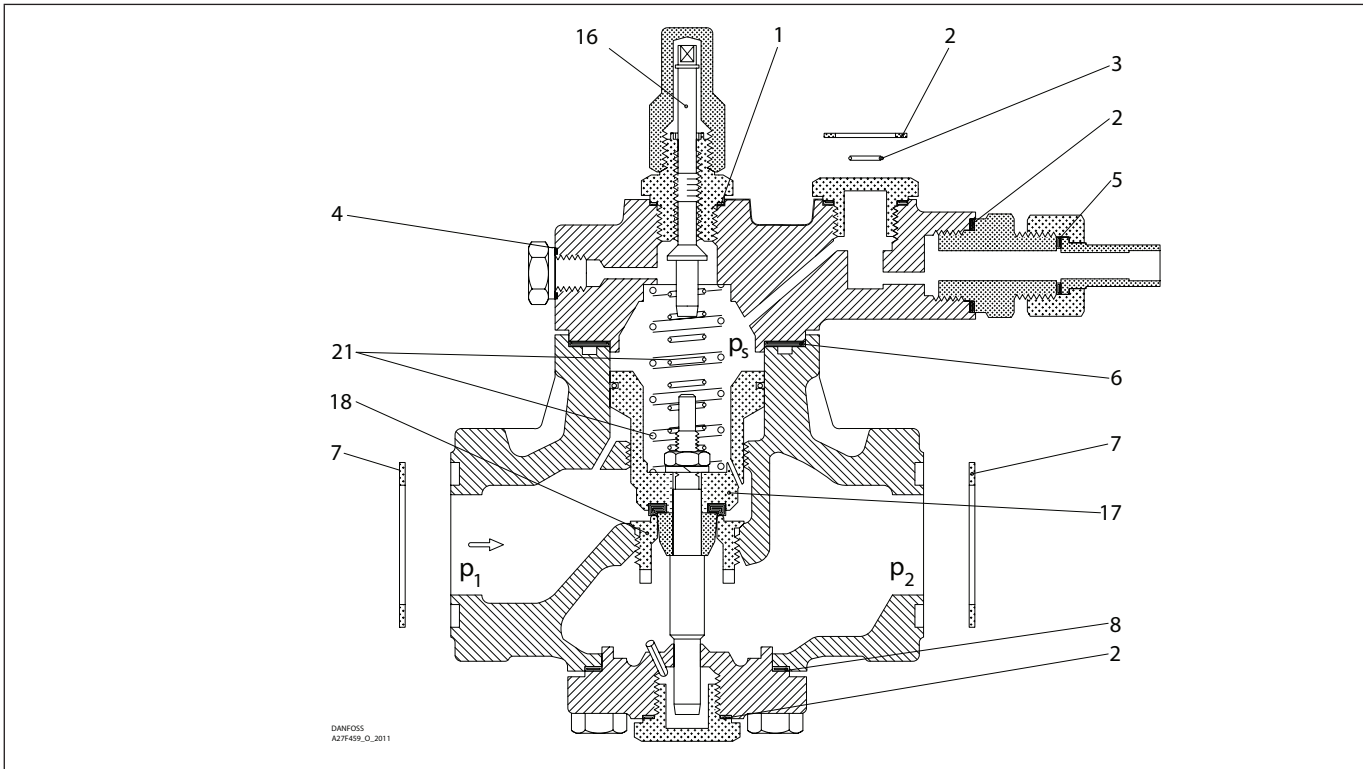
<p><b>1</b></p> <p>Alu.</p> <p>Total no. = 1</p>	<p><b>2</b></p> <p>Fibre</p> <p>Total no. = 4</p>	<p><b>3</b></p> <p>Total no. = 3</p>	<p><b>4</b></p> <p>Alu.</p> <p>Total no. = 1</p>	<p><b>5</b></p> <p>Alu.</p> <p>Total no. = 1</p>	<p><b>6</b></p> <p>Fibre</p> <p>Total no. = 1</p>
<p><b>7</b></p> <p>Fibre</p> <p>Total no. = 2</p>	<p><b>8</b></p> <p>Fibre</p> <p>Total no. = 1</p>	<p><b>9*</b></p> <p>Alu.</p> <p>Total no. = 1</p>	<p><b>10*</b></p> <p>Alu.</p> <p>Total no. = 1</p>	<p><b>16</b></p>	<p><b>17</b></p>
<p><b>18</b></p>	<p><b>21</b> Standard</p> <p>1 set</p>				

\* The spare part is included in the package but is not used for PMFL size 80-5.

For identification and installation of Weak and Strong spring sets please see Installation guide DKRCI.PI.GE1.C

Data sheet – Spare parts and accessories

**Overhaul kit | Code number 027F0635**  
**PMFL, size 80-6**



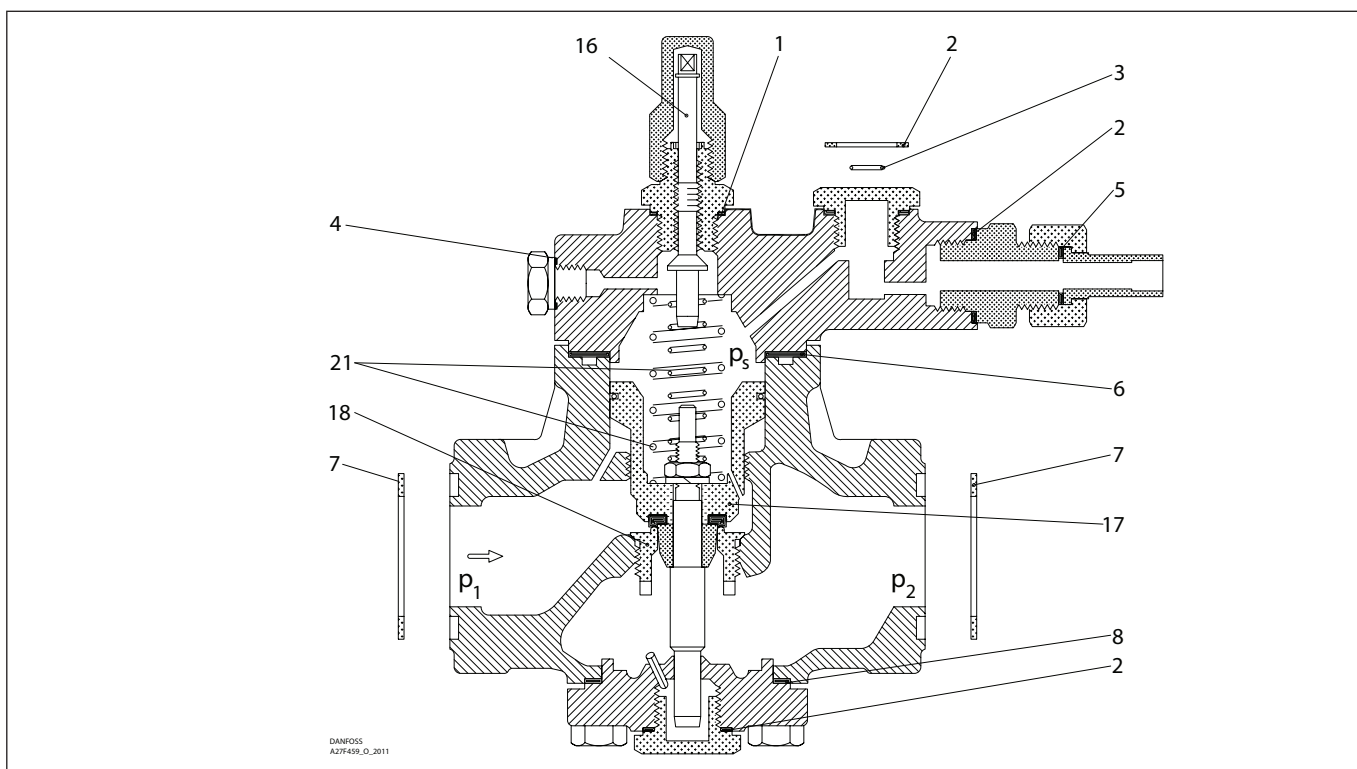
<p><b>1</b></p> <p>▨ = Alu.</p> <p>Total no. = 1</p>	<p><b>2</b></p> <p>▨ = Fibre</p> <p>Total no. = 4</p>	<p><b>3</b></p> <p>Total no. = 3</p>	<p><b>4</b></p> <p>▨ = Alu.</p> <p>Total no. = 1</p>	<p><b>5</b></p> <p>▨ = Alu.</p> <p>Total no. = 1</p>	<p><b>6</b></p> <p>▨ = Fibre</p> <p>Total no. = 1</p>
<p><b>7</b></p> <p>▨ = Fibre</p> <p>Total no. = 2</p>	<p><b>8</b></p> <p>▨ = Fibre</p> <p>Total no. = 1</p>	<p><b>9*</b></p> <p>▨ = Alu.</p> <p>Total no. = 1</p>	<p><b>10*</b></p> <p>▨ = Alu.</p> <p>Total no. = 1</p>	<p><b>16</b></p>	<p><b>17</b></p>
<p><b>18</b></p>	<p><b>21</b> Standard</p> <p>1 set</p>				

\* The spare part is included in the package but is not used for PMFL size 80-6.

For identification and installation of Weak and Strong spring sets please see Installation guide DKRCI.PI.GE1.C

Data sheet – Spare parts and accessories

Overhaul kit | Code number 027F0636  
PMFL, size 80-7



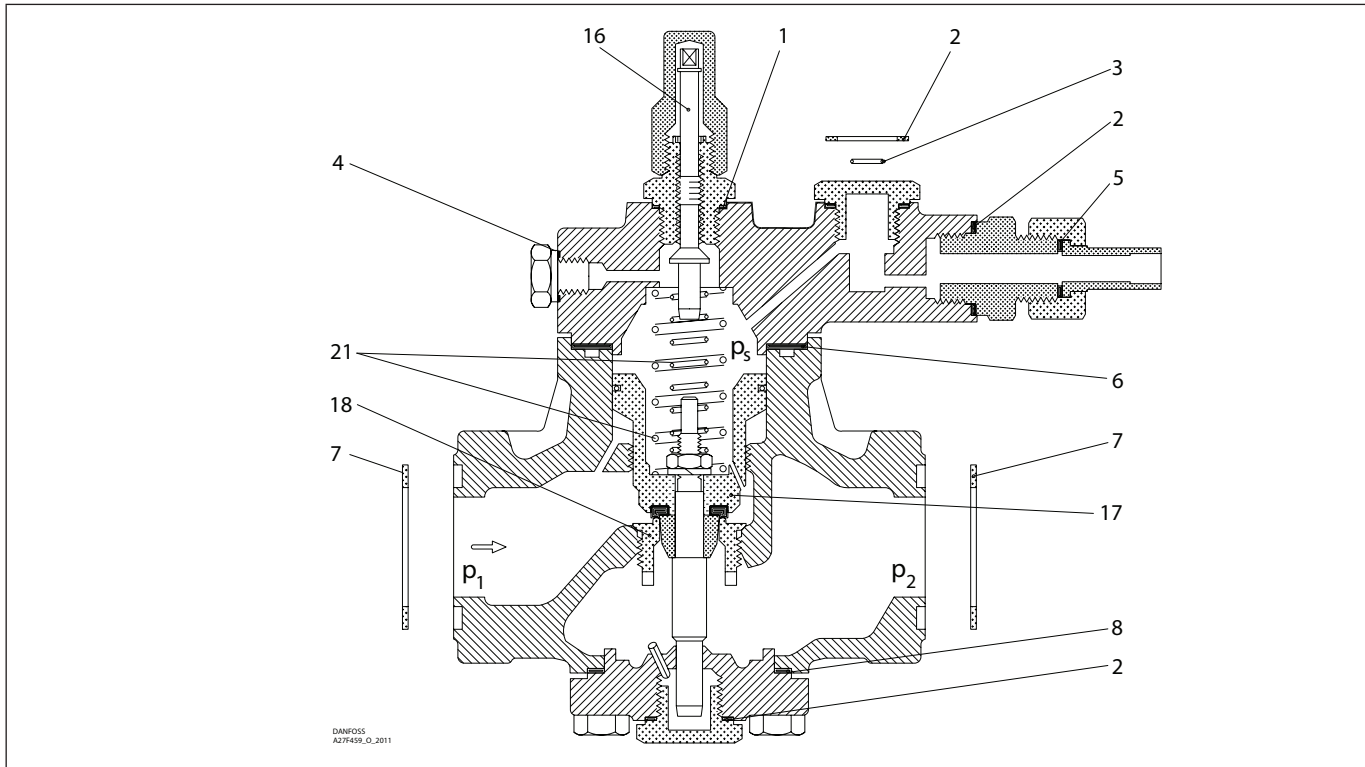
<p><b>1</b></p> <p>▨ = Alu.</p> <p>Total no. = 1</p>	<p><b>2</b></p> <p>▨ = Fibre</p> <p>Total no. = 4</p>	<p><b>3</b></p> <p>Total no. = 3</p>	<p><b>4</b></p> <p>▨ = Alu.</p> <p>Total no. = 1</p>	<p><b>5</b></p> <p>▨ = Alu.</p> <p>Total no. = 1</p>	<p><b>6</b></p> <p>▨ = Fibre</p> <p>Total no. = 1</p>
<p><b>7</b></p> <p>▨ = Fibre</p> <p>Total no. = 2</p>	<p><b>8</b></p> <p>▨ = Fibre</p> <p>Total no. = 1</p>	<p><b>9*</b></p> <p>▨ = Alu.</p> <p>Total no. = 1</p>	<p><b>10*</b></p> <p>▨ = Alu.</p> <p>Total no. = 1</p>	<p><b>16</b></p>	<p><b>17</b></p>
<p><b>18</b></p>	<p><b>21</b> Standard</p> <p>1 set</p>				

\* The spare part is included in the package but is not used for PMFL size 80-7.

For identification and installation of Weak and Strong spring sets please see Installation guide DKRCI.PI.GE1.C

Data sheet – Spare parts and accessories

**Overhaul kit | Code number 027F0637**  
**PMFL, size 125**



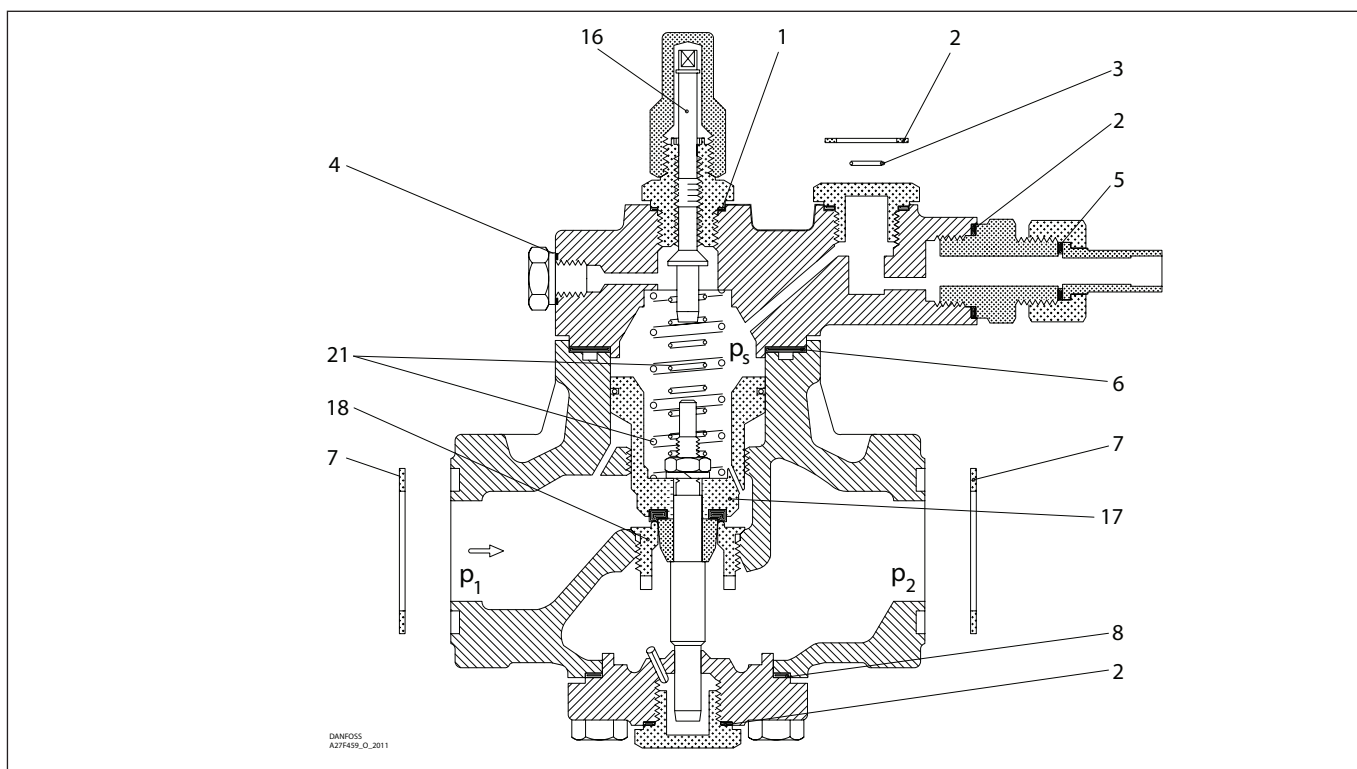
<p><b>1</b></p> <p>Alu.</p> <p>Ø26 mm Ø1.02"</p> <p>Total no. = 1</p>	<p><b>2</b></p> <p>Fibre</p> <p>Ø33 mm Ø1.28"</p> <p>Total no. = 4</p>	<p><b>3</b></p> <p>Ø9 mm Ø0.36"</p> <p>Total no. = 3</p>	<p><b>4</b></p> <p>Alu.</p> <p>Ø18 mm Ø0.70"</p> <p>Total no. = 1</p>	<p><b>5</b></p> <p>Alu.</p> <p>Ø14 mm Ø0.55"</p> <p>Total no. = 1</p>	<p><b>6</b></p> <p>Fibre</p> <p>Ø85 mm Ø3.35"</p> <p>Total no. = 1</p>
<p><b>7</b></p> <p>Fibre</p> <p>Ø58 mm Ø2.28"</p> <p>Total no. = 2</p>	<p><b>8</b></p> <p>Fibre</p> <p>Ø70 mm Ø2.76"</p> <p>Total no. = 1</p>	<p><b>9*</b></p> <p>Alu.</p> <p>Ø32 mm Ø1.26"</p> <p>Total no. = 1</p>	<p><b>10*</b></p> <p>Alu.</p> <p>Ø22 mm Ø0.87"</p> <p>Total no. = 1</p>	<p><b>16</b></p> <p>20 mm 0.79"</p>	<p><b>17</b></p> <p>Ø60 mm Ø2.36"</p>
<p><b>18</b></p> <p>Ø26 mm Ø1.02"</p>	<p><b>21</b> Standard</p> <p>Ø16 mm Ø0.63"</p> <p>Ø32 mm Ø1.26"</p> <p>1 set</p>				

\* The spare part is included in the package but is not used for PMFL size 125.

For identification and installation of Weak and Strong spring sets please see Installation guide DKRCI.PI.GE1.C

Data sheet – Spare parts and accessories

Overhaul kit | Code number 027F0638  
PMFL, size 200



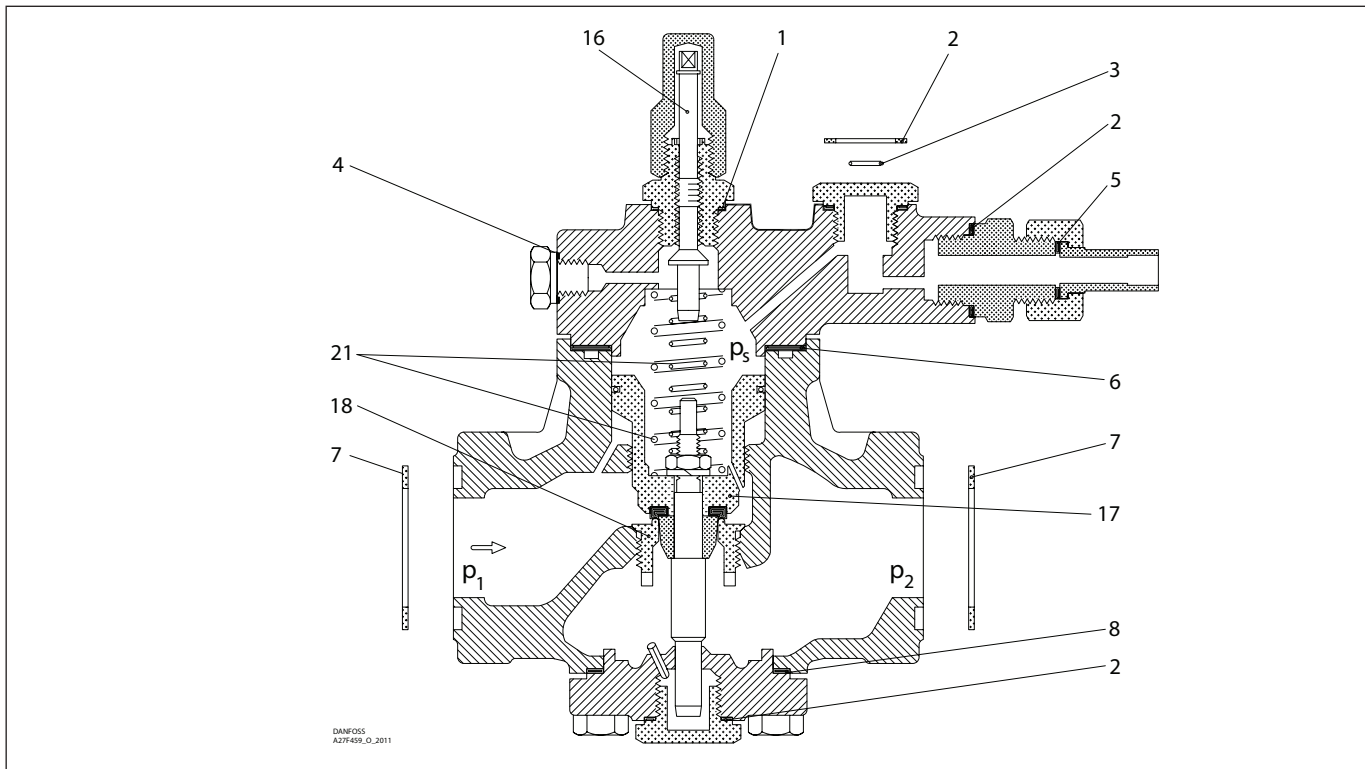
<p><b>1</b></p> <p> = Alu.</p> <p><math>\varnothing 26 \text{ mm}</math> <math>\varnothing 1.02''</math></p> <p>Total no. = 1</p>	<p><b>2</b></p> <p> = Fibre</p> <p><math>\varnothing 33 \text{ mm}</math> <math>\varnothing 1.28''</math></p> <p>Total no. = 4</p>	<p><b>3</b></p> <p> = Alu.</p> <p><math>\varnothing 9 \text{ mm}</math> <math>\varnothing 0.36''</math></p> <p>Total no. = 3</p>	<p><b>4</b></p> <p> = Alu.</p> <p><math>\varnothing 18 \text{ mm}</math> <math>\varnothing 0.70''</math></p> <p>Total no. = 1</p>	<p><b>5</b></p> <p> = Alu.</p> <p><math>\varnothing 14 \text{ mm}</math> <math>\varnothing 0.55''</math></p> <p>Total no. = 1</p>	<p><b>6</b></p> <p> = Fibre</p> <p><math>\varnothing 93 \text{ mm}</math> <math>\varnothing 3.66''</math></p> <p>Total no. = 1</p>
<p><b>7</b></p> <p> = Fibre</p> <p><math>\varnothing 65 \text{ mm}</math> <math>\varnothing 2.56''</math></p> <p>Total no. = 2</p>	<p><b>8</b></p> <p> = Fibre</p> <p><math>\varnothing 78 \text{ mm}</math> <math>\varnothing 3.07''</math></p> <p>Total no. = 1</p>	<p><b>9*</b></p> <p> = Alu.</p> <p><math>\varnothing 32 \text{ mm}</math> <math>\varnothing 1.26''</math></p> <p>Total no. = 1</p>	<p><b>10*</b></p> <p> = Alu.</p> <p><math>\varnothing 22 \text{ mm}</math> <math>\varnothing 0.87''</math></p> <p>Total no. = 1</p>	<p><b>16</b></p> <p> = 20 mm 0.79"</p>	<p><b>17</b></p> <p><math>\varnothing 68 \text{ mm}</math> <math>\varnothing 2.68''</math></p> <p></p>
<p><b>18</b></p> <p><math>\varnothing 34 \text{ mm}</math> <math>\varnothing 1.34''</math></p> <p></p>	<p><b>21</b> Standard</p> <p><math>\varnothing 16 \text{ mm}</math> <math>\varnothing 0.63''</math></p> <p><math>\varnothing 35 \text{ mm}</math> <math>\varnothing 1.38''</math></p> <p></p> <p>1 set</p>				

\* The spare part is included in the package but is not used for PMFL size 200.

For identification and installation of Weak and Strong spring sets please see Installation guide DKRCI.PI.GE1.C

Data sheet – Spare parts and accessories

Overhaul kit | Code number 027F0639  
PMFL, size 300



<p><b>1</b></p> <p>▨ = Alu.</p> <p>Ø26 mm Ø1.02"</p> <p>Total no. = 1</p>	<p><b>2</b></p> <p>▨ = Fibre</p> <p>Ø33 mm Ø1.28"</p> <p>Total no. = 4</p>	<p><b>3</b></p> <p>Ø9 mm Ø0.36"</p> <p>Total no. = 3</p>	<p><b>4</b></p> <p>▨ = Alu.</p> <p>Ø18 mm Ø0.70"</p> <p>Total no. = 1</p>	<p><b>5</b></p> <p>▨ = Alu.</p> <p>Ø14 mm Ø0.55"</p> <p>Total no. = 1</p>	<p><b>6</b></p> <p>▨ = Fibre</p> <p>Ø105 mm Ø4.13"</p> <p>Total no. = 1</p>
<p><b>7</b></p> <p>▨ = Fibre</p> <p>Ø76 mm Ø2.99"</p> <p>Total no. = 2</p>	<p><b>8</b></p> <p>▨ = Fibre</p> <p>Ø92 mm Ø3.62"</p> <p>Total no. = 1</p>	<p><b>9*</b></p> <p>▨ = Alu.</p> <p>Ø32 mm Ø1.26"</p> <p>Total no. = 1</p>	<p><b>10*</b></p> <p>▨ = Alu.</p> <p>Ø22 mm Ø0.87"</p> <p>Total no. = 1</p>	<p><b>16</b></p> <p>26 mm 1.02"</p>	<p><b>17</b></p> <p>Ø80 mm Ø3.14"</p>
<p><b>18</b></p> <p>Ø37 mm Ø1.46"</p>	<p><b>21</b> Standard</p> <p>Ø17 mm Ø0.67"</p> <p>Ø35 mm Ø1.38"</p> <p>1 set</p>				

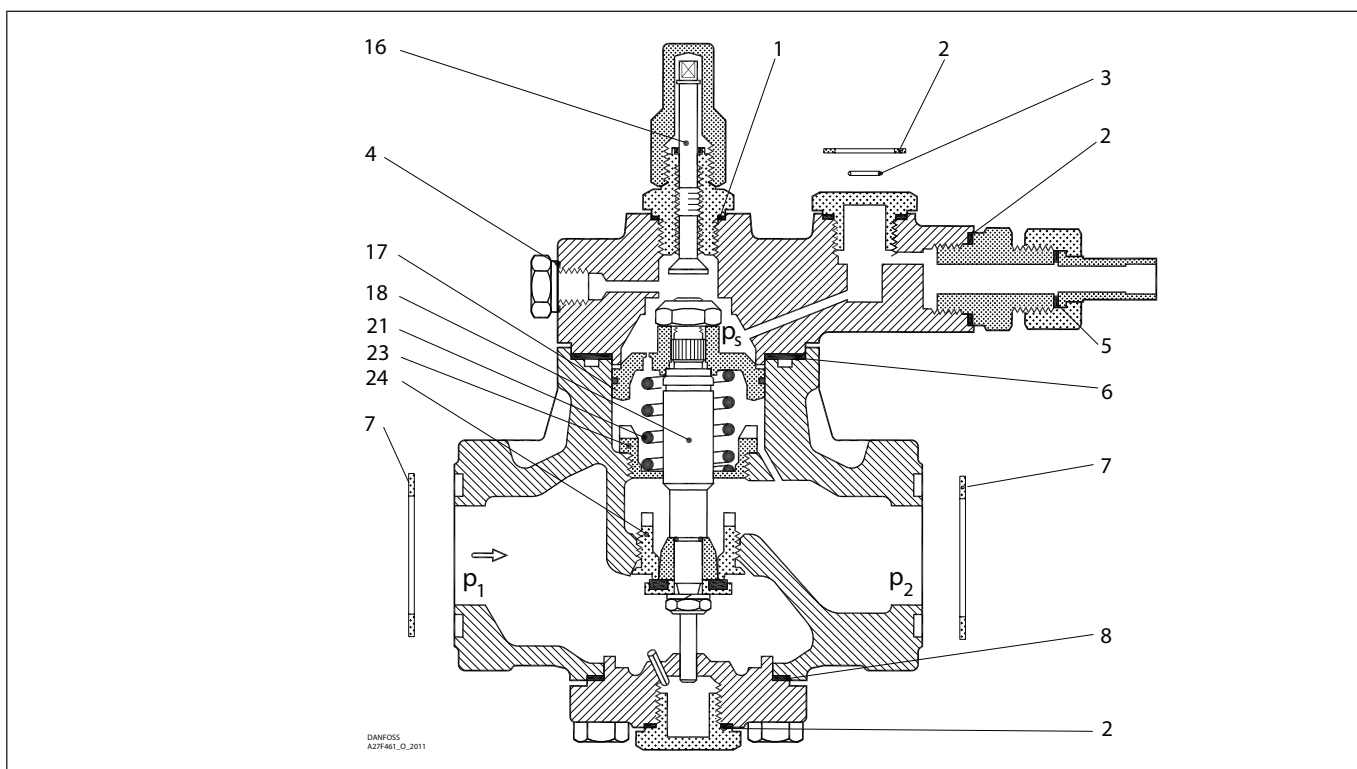
\* The spare part is included in the package but is not used for PMFL size 300.

For identification and installation of Weak and Strong spring sets please see Installation guide DKRCI.PI.GE1.C



Data sheet – Spare parts and accessories

Overhaul kit | Code number 027F0663  
PMFH, size 80-2

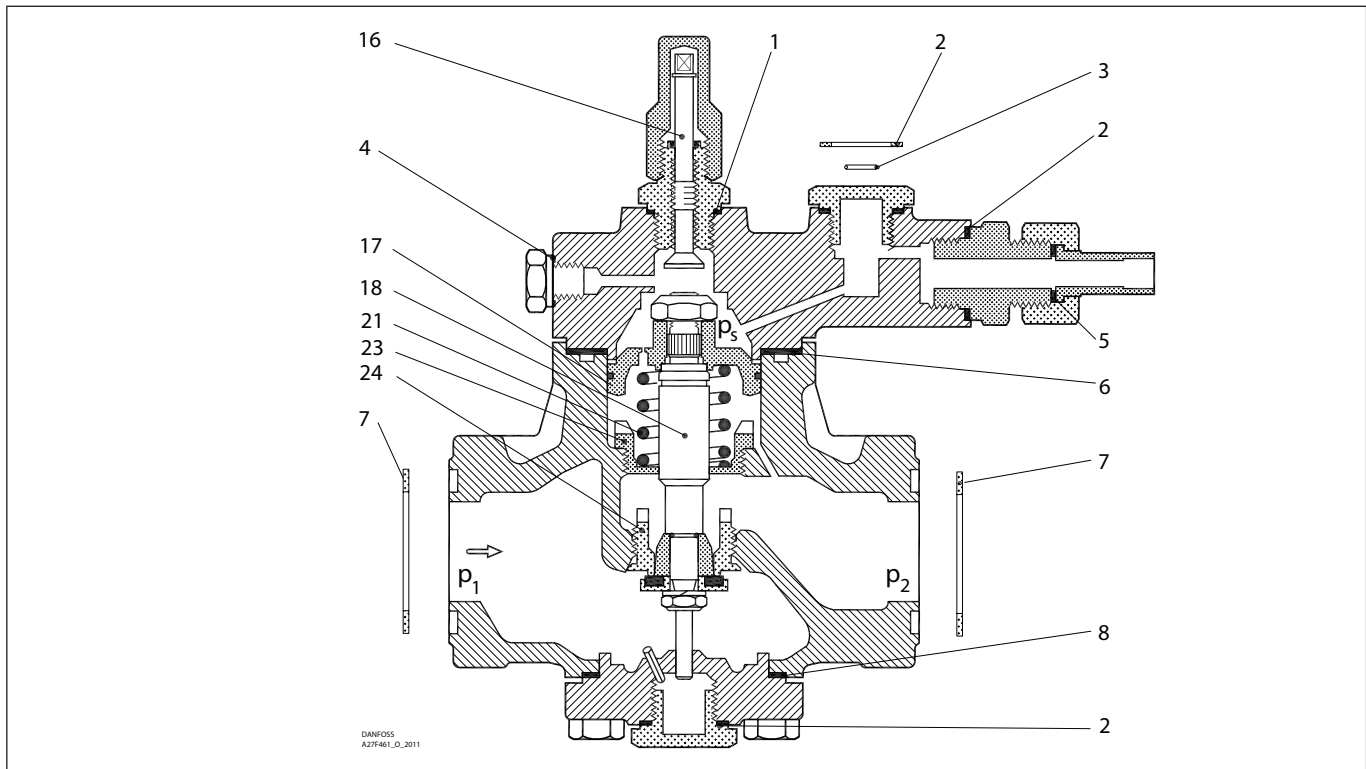


<p><b>1</b></p> <p> = Alu.</p> <p>Ø26 mm Ø1.02"</p> <p>Total no. = 1</p>	<p><b>2</b></p> <p> = Fibre</p> <p>Ø33 mm Ø1.28"</p> <p>Total no. = 4</p>	<p><b>3</b></p> <p> = Alu.</p> <p>Ø9 mm Ø0.36"</p> <p>Total no. = 3</p>	<p><b>4</b></p> <p> = Alu.</p> <p>Ø18 mm Ø0.70"</p> <p>Total no. = 1</p>	<p><b>5</b></p> <p> = Alu.</p> <p>Ø14 mm Ø0.55"</p> <p>Total no. = 1</p>	<p><b>6</b></p> <p> = Fibre</p> <p>Ø75 mm Ø2.95"</p> <p>Total no. = 1</p>
<p><b>7</b></p> <p> = Fibre</p> <p>Ø39 mm Ø1.54"</p> <p>Total no. = 2</p>	<p><b>8</b></p> <p> = Fibre</p> <p>Ø60 mm Ø2.36"</p> <p>Total no. = 1</p>	<p><b>9*</b></p> <p> = Alu.</p> <p>Ø32 mm Ø1.26"</p> <p>Total no. = 1</p>	<p><b>10*</b></p> <p> = Alu.</p> <p>Ø22 mm Ø0.87"</p> <p>Total no. = 1</p>	<p><b>16</b></p>	<p><b>17</b></p> <p>Ø50 mm Ø1.97"</p>
<p><b>18</b></p> <p>Ø18 mm Ø0.71"</p>	<p><b>21</b></p> <p>Standard</p> <p>Ø28 mm Ø1.10"</p> <p>Total no. = 1</p> <p>Weak</p> <p>Ø27 mm Ø1.06"</p> <p>Total no. = 1</p>	<p><b>23</b></p> <p>M39</p>	<p><b>24</b></p> <p>Ø23 mm Ø0.91"</p>		

\* The spare part is included in the package but is not used for PMFH size 80-2.

Data sheet – Spare parts and accessories

Overhaul kit | Code number 027F0669  
PMFH, size 80-3



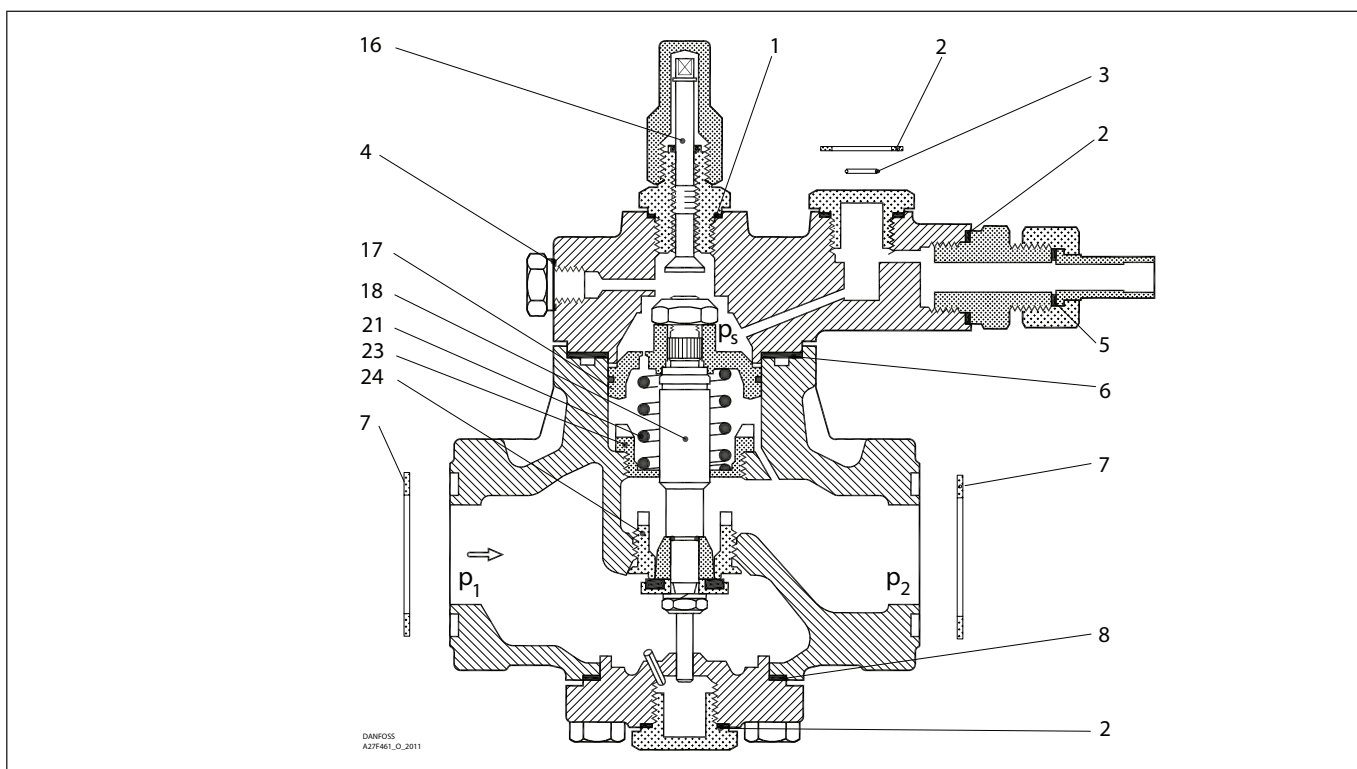
<p><b>1</b></p> <p>▨ = Alu.</p> <p>Ø26 mm Ø1.02"</p> <p>Total no. = 1</p>	<p><b>2</b></p> <p>▨ = Fibre</p> <p>Ø33 mm Ø1.28"</p> <p>Total no. = 4</p>	<p><b>3</b></p> <p>Ø9 mm Ø0.36"</p> <p>Total no. = 3</p>	<p><b>4</b></p> <p>▨ = Alu.</p> <p>Ø18 mm Ø0.70"</p> <p>Total no. = 1</p>	<p><b>5</b></p> <p>▨ = Alu.</p> <p>Ø14 mm Ø0.55"</p> <p>Total no. = 1</p>	<p><b>6</b></p> <p>▨ = Fibre</p> <p>Ø75 mm Ø2.95"</p> <p>Total no. = 1</p>
<p><b>7</b></p> <p>▨ = Fibre</p> <p>Ø39 mm Ø1.54"</p> <p>Total no. = 2</p>	<p><b>8</b></p> <p>▨ = Fibre</p> <p>Ø60 mm Ø2.36"</p> <p>Total no. = 1</p>	<p><b>9*</b></p> <p>▨ = Alu.</p> <p>Ø32 mm Ø1.26"</p> <p>Total no. = 1</p>	<p><b>10*</b></p> <p>▨ = Alu.</p> <p>Ø22 mm Ø0.87"</p> <p>Total no. = 1</p>	<p><b>16</b></p>	<p><b>17</b></p> <p>Ø50 mm Ø1.97"</p>
<p><b>18</b></p> <p>Ø18 mm Ø0.71"</p>	<p><b>21</b></p> <p>Standard</p> <p>Ø28 mm Ø1.10"</p> <p>Total no. = 1</p> <p>Weak</p> <p>Ø27 mm Ø1.06"</p> <p>Total no. = 1</p>	<p><b>23</b></p> <p>M39</p>	<p><b>24</b></p> <p>Ø23 mm Ø0.91"</p>		

\* The spare part is included in the package but is not used for PMFH size 80-3.

Data sheet – Spare parts and accessories

Overhaul kit | Code number 027F0676

PMFH, size 80-4

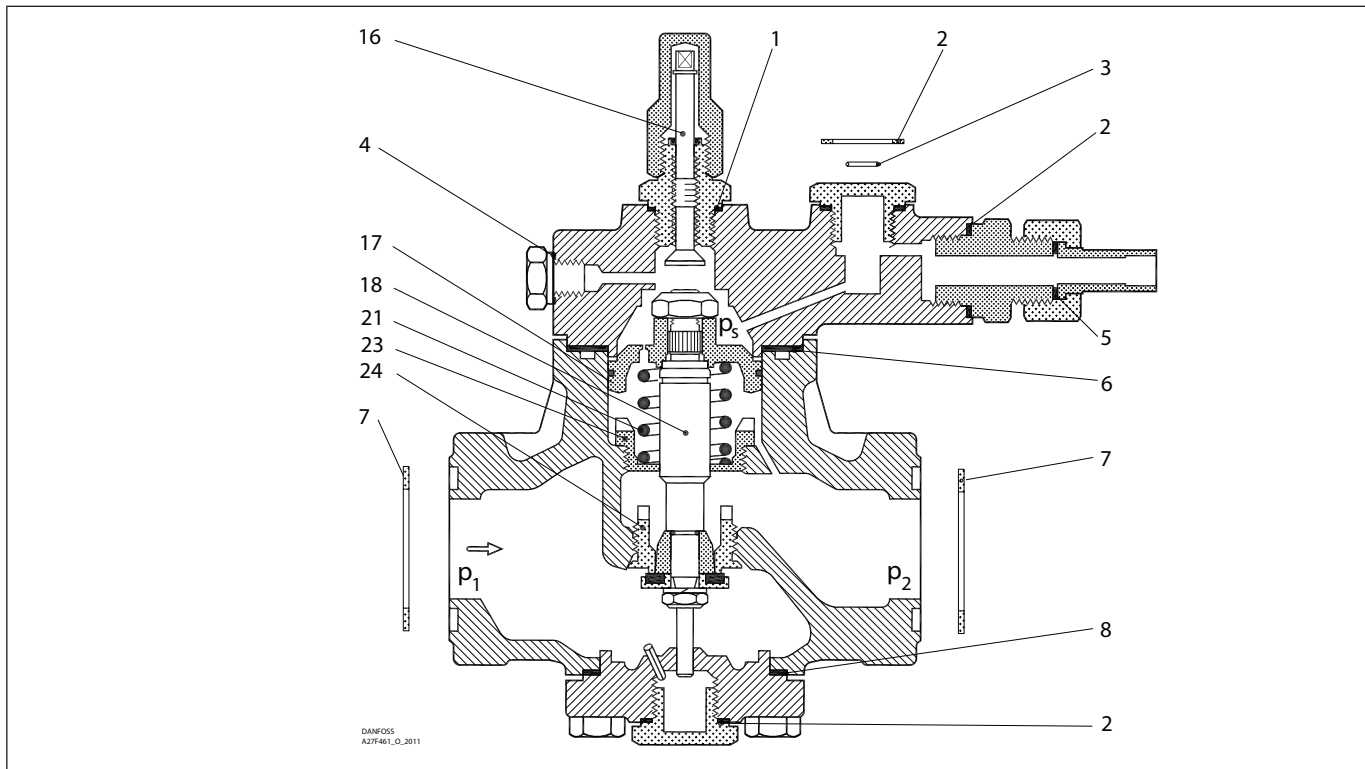


<p><b>1</b></p> <p>Alu.</p> <p>Total no. = 1</p>	<p><b>2</b></p> <p>Fibre</p> <p>Total no. = 4</p>	<p><b>3</b></p> <p>Total no. = 3</p>	<p><b>4</b></p> <p>Alu.</p> <p>Total no. = 1</p>	<p><b>5</b></p> <p>Alu.</p> <p>Total no. = 1</p>	<p><b>6</b></p> <p>Fibre</p> <p>Total no. = 1</p>
<p><b>7</b></p> <p>Fibre</p> <p>Total no. = 2</p>	<p><b>8</b></p> <p>Fibre</p> <p>Total no. = 1</p>	<p><b>9*</b></p> <p>Alu.</p> <p>Total no. = 1</p>	<p><b>10*</b></p> <p>Alu.</p> <p>Total no. = 1</p>	<p><b>16</b></p>	<p><b>17</b></p>
<p><b>18</b></p>	<p><b>21</b></p> <p>Standard</p> <p>Total no. = 1</p> <p>Weak</p> <p>Total no. = 1</p>	<p><b>23</b></p>	<p><b>24</b></p>		

\* The spare part is included in the package but is not used for PMFH size 80-4.

Data sheet – Spare parts and accessories

**Overhaul kit | Code number 027F0677**  
**PMFH, size 80-5**



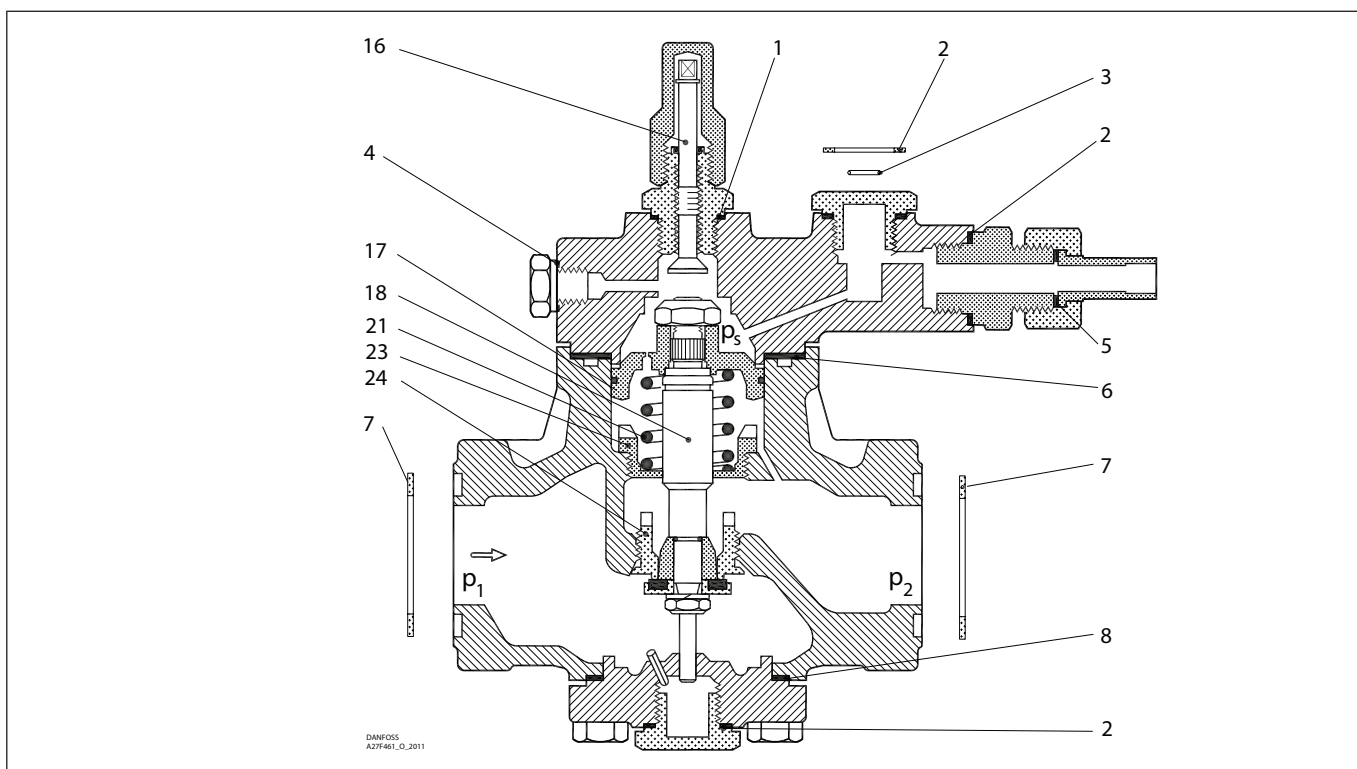
<p><b>1</b></p> <p>▨ = Alu.</p> <p>Total no. = 1</p>	<p><b>2</b></p> <p>▨ = Fibre</p> <p>Total no. = 4</p>	<p><b>3</b></p> <p>Total no. = 3</p>	<p><b>4</b></p> <p>▨ = Alu.</p> <p>Total no. = 1</p>	<p><b>5</b></p> <p>▨ = Alu.</p> <p>Total no. = 1</p>	<p><b>6</b></p> <p>▨ = Fibre</p> <p>Total no. = 1</p>
<p><b>7</b></p> <p>▨ = Fibre</p> <p>Total no. = 2</p>	<p><b>8</b></p> <p>▨ = Fibre</p> <p>Total no. = 1</p>	<p><b>9*</b></p> <p>▨ = Alu.</p> <p>Total no. = 1</p>	<p><b>10*</b></p> <p>▨ = Alu.</p> <p>Total no. = 1</p>	<p><b>16</b></p>	<p><b>17</b></p>
<p><b>18</b></p>	<p><b>21</b></p> <p>Standard</p> <p>Total no. = 1</p> <p>Weak</p> <p>Total no. = 1</p>	<p><b>23</b></p>	<p><b>24</b></p>		

\* The spare part is included in the package but is not used for PMFH size 80-5.

Data sheet – Spare parts and accessories

Overhaul kit | Code number 027F0678

PMFH, size 80-6

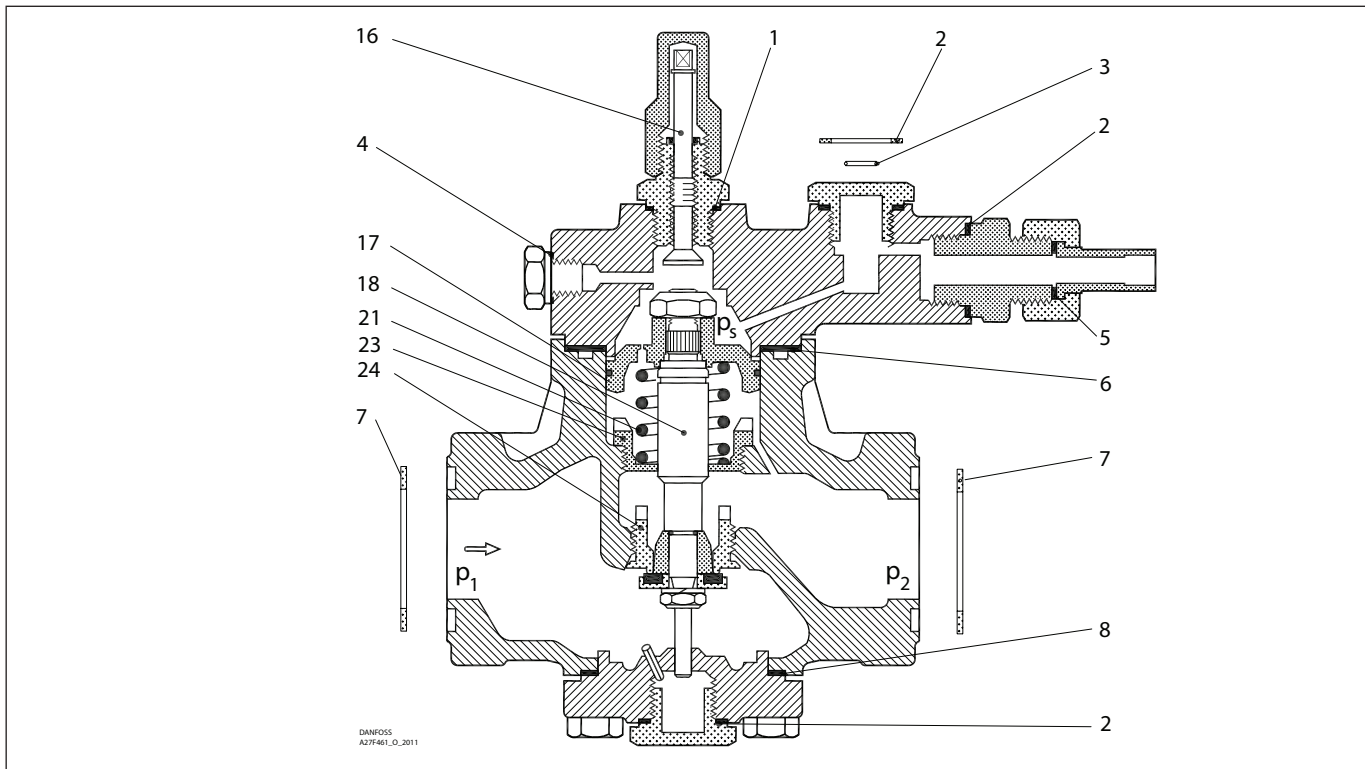


<p><b>1</b></p> <p>Alu.</p> <p>Ø26 mm Ø1.02"</p> <p>Total no. = 1</p>	<p><b>2</b></p> <p>Fibre</p> <p>Ø33 mm Ø1.28"</p> <p>Total no. = 4</p>	<p><b>3</b></p> <p>Alu.</p> <p>Ø9 mm Ø0.36"</p> <p>Total no. = 3</p>	<p><b>4</b></p> <p>Alu.</p> <p>Ø18 mm Ø0.70"</p> <p>Total no. = 1</p>	<p><b>5</b></p> <p>Alu.</p> <p>Ø14 mm Ø0.55"</p> <p>Total no. = 1</p>	<p><b>6</b></p> <p>Fibre</p> <p>Ø75 mm Ø2.95"</p> <p>Total no. = 1</p>
<p><b>7</b></p> <p>Fibre</p> <p>Ø39 mm Ø1.54"</p> <p>Total no. = 2</p>	<p><b>8</b></p> <p>Fibre</p> <p>Ø60 mm Ø2.36"</p> <p>Total no. = 1</p>	<p><b>9*</b></p> <p>Alu.</p> <p>Ø32 mm Ø1.26"</p> <p>Total no. = 1</p>	<p><b>10*</b></p> <p>Alu.</p> <p>Ø22 mm Ø0.87"</p> <p>Total no. = 1</p>	<p><b>16</b></p>	<p><b>17</b></p> <p>Ø50 mm Ø1.97"</p>
<p><b>18</b></p> <p>Ø18 mm Ø0.71"</p>	<p><b>21</b></p> <p>Standard Weak</p> <p>Ø28 mm Ø1.10"</p> <p>Ø27 mm Ø1.06"</p> <p>Total no. = 1      Total no. = 1</p>	<p><b>23</b></p> <p>M39</p>	<p><b>24</b></p> <p>Ø23 mm Ø0.91"</p>		

\* The spare part is included in the package but is not used for PMFH size 80-6.

Data sheet – Spare parts and accessories

**Overhaul kit | Code number 027F0700**  
**PMFH, size 80-7**

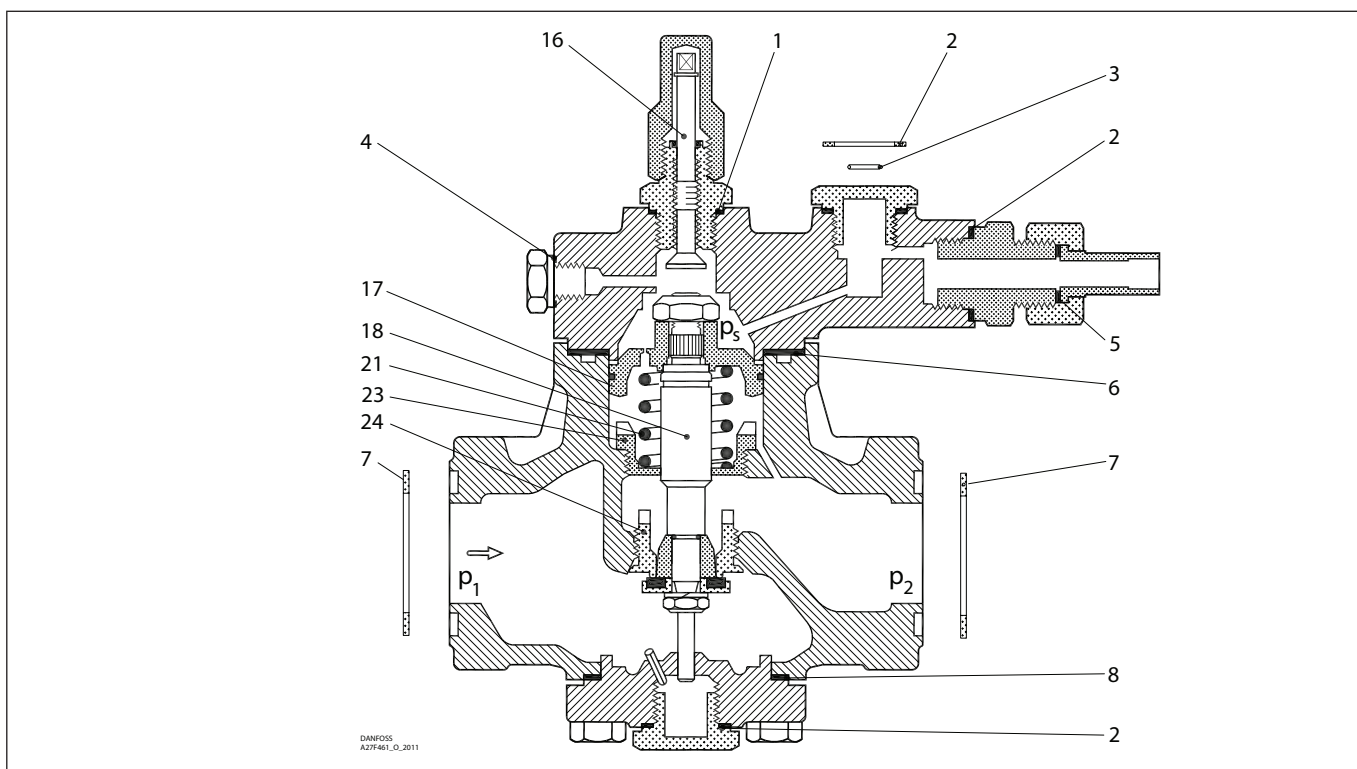


<p><b>1</b></p> <p>▨ = Alu.</p> <p>Ø26 mm Ø1.02"</p> <p>Total no. = 1</p>	<p><b>2</b></p> <p>▨ = Fibre</p> <p>Ø33 mm Ø1.28"</p> <p>Total no. = 4</p>	<p><b>3</b></p> <p>Ø9 mm Ø0.36"</p> <p>Total no. = 3</p>	<p><b>4</b></p> <p>▨ = Alu.</p> <p>Ø18 mm Ø0.70"</p> <p>Total no. = 1</p>	<p><b>5</b></p> <p>▨ = Alu.</p> <p>Ø14 mm Ø0.55"</p> <p>Total no. = 1</p>	<p><b>6</b></p> <p>▨ = Fibre</p> <p>Ø75 mm Ø2.95"</p> <p>Total no. = 1</p>
<p><b>7</b></p> <p>▨ = Fibre</p> <p>Ø39 mm Ø1.54"</p> <p>Total no. = 2</p>	<p><b>8</b></p> <p>▨ = Fibre</p> <p>Ø60 mm Ø2.36"</p> <p>Total no. = 1</p>	<p><b>9*</b></p> <p>▨ = Alu.</p> <p>Ø32 mm Ø1.26"</p> <p>Total no. = 1</p>	<p><b>10*</b></p> <p>▨ = Alu.</p> <p>Ø22 mm Ø0.87"</p> <p>Total no. = 1</p>	<p><b>16</b></p>	<p><b>17</b></p> <p>Ø50 mm Ø1.97"</p>
<p><b>18</b></p> <p>Ø18 mm Ø0.71"</p>	<p><b>21</b></p> <p>Standard</p> <p>Ø28 mm Ø1.10"</p> <p>Total no. = 1</p> <p>Weak</p> <p>Ø27 mm Ø1.06"</p> <p>Total no. = 1</p>	<p><b>23</b></p> <p>M39</p>	<p><b>24</b></p> <p>Ø23 mm Ø0.91"</p>		

\* The spare part is included in the package but is not used for PMFH size 80-7.

Data sheet – Spare parts and accessories

Overhaul kit | Code number 027F0704  
PMFH, size 125



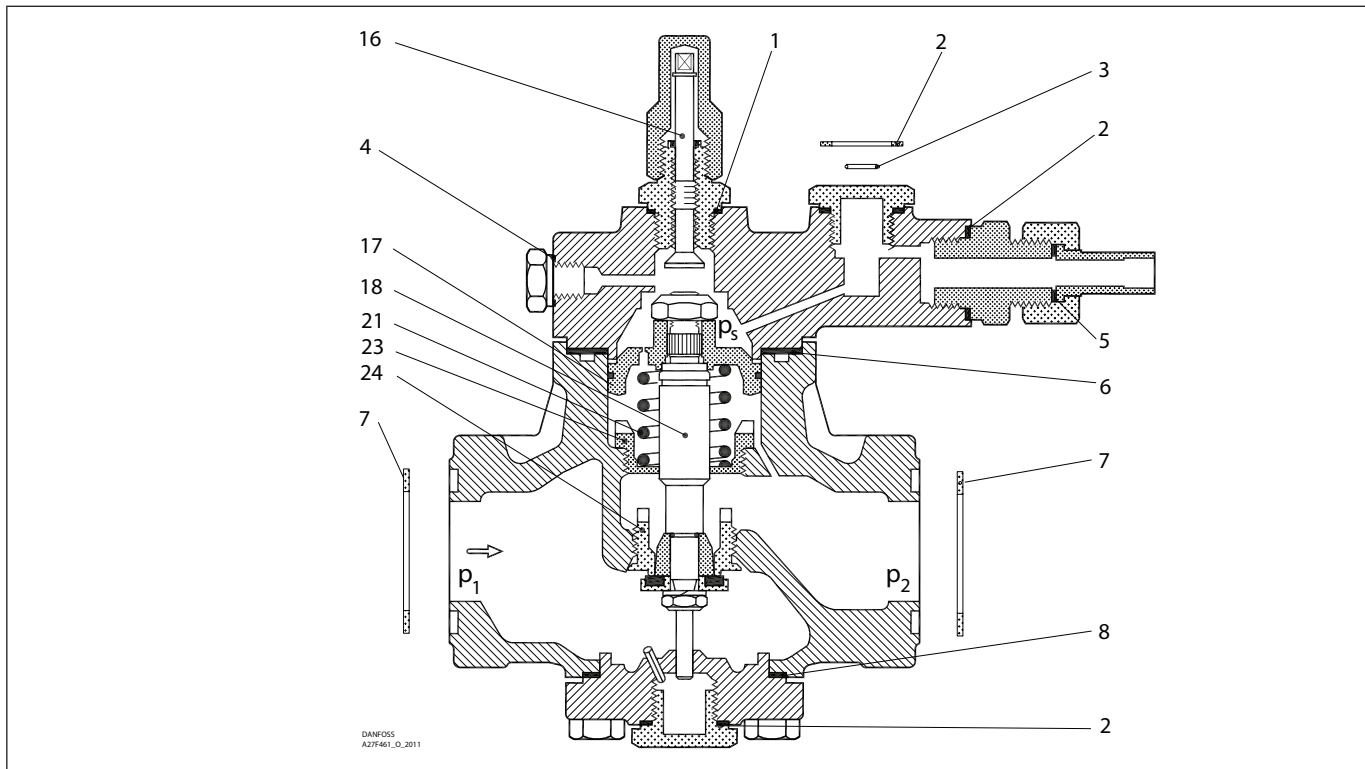
<p><b>1</b></p> <p> = Alu.</p> <p><math>\varnothing 26 \text{ mm}</math> <math>\varnothing 1.02''</math></p> <p>Total no. = 1</p>	<p><b>2</b></p> <p> = Fibre</p> <p><math>\varnothing 33 \text{ mm}</math> <math>\varnothing 1.28''</math></p> <p>Total no. = 4</p>	<p><b>3</b></p> <p> = Alu.</p> <p><math>\varnothing 9 \text{ mm}</math> <math>\varnothing 0.36''</math></p> <p>Total no. = 3</p>	<p><b>4</b></p> <p> = Alu.</p> <p><math>\varnothing 18 \text{ mm}</math> <math>\varnothing 0.70''</math></p> <p>Total no. = 1</p>	<p><b>5</b></p> <p> = Alu.</p> <p><math>\varnothing 22 \text{ mm}</math> <math>\varnothing 0.87''</math></p> <p>Total no. = 1</p>	<p><b>6</b></p> <p> = Fibre</p> <p><math>\varnothing 85 \text{ mm}</math> <math>\varnothing 3.35''</math></p> <p>Total no. = 1</p>
<p><b>7</b></p> <p> = Fibre</p> <p><math>\varnothing 58 \text{ mm}</math> <math>\varnothing 2.28''</math></p> <p>Total no. = 2</p>	<p><b>8</b></p> <p> = Fibre</p> <p><math>\varnothing 70 \text{ mm}</math> <math>\varnothing 2.76''</math></p> <p>Total no. = 1</p>	<p><b>9*</b></p> <p> = Alu.</p> <p><math>\varnothing 32 \text{ mm}</math> <math>\varnothing 1.26''</math></p> <p>Total no. = 1</p>	<p><b>10*</b></p> <p> = Alu.</p> <p><math>\varnothing 22 \text{ mm}</math> <math>\varnothing 0.87''</math></p> <p>Total no. = 1</p>	<p><b>16</b></p>	<p><b>17</b></p> <p><math>\varnothing 60 \text{ mm}</math> <math>\varnothing 2.36''</math></p>
<p><b>18</b></p> <p><math>\varnothing 21 \text{ mm}</math> <math>\varnothing 0.83''</math></p>	<p><b>21</b></p> <p>Standard</p> <p> <math>\varnothing 29 \text{ mm}</math> <math>\varnothing 1.14''</math></p> <p>Total no. = 1</p> <p>Weak</p> <p> <math>\varnothing 27 \text{ mm}</math> <math>\varnothing 1.06''</math></p> <p>Total no. = 1</p>	<p><b>23</b></p> <p>M48</p>	<p><b>24</b></p> <p><math>\varnothing 26 \text{ mm}</math> <math>\varnothing 1.02''</math></p>		

\* The spare part is included in the package but is not used for PMFH size 125.



Data sheet – Spare parts and accessories

Overhaul kit | Code number 027F0705  
PMFH, size 200



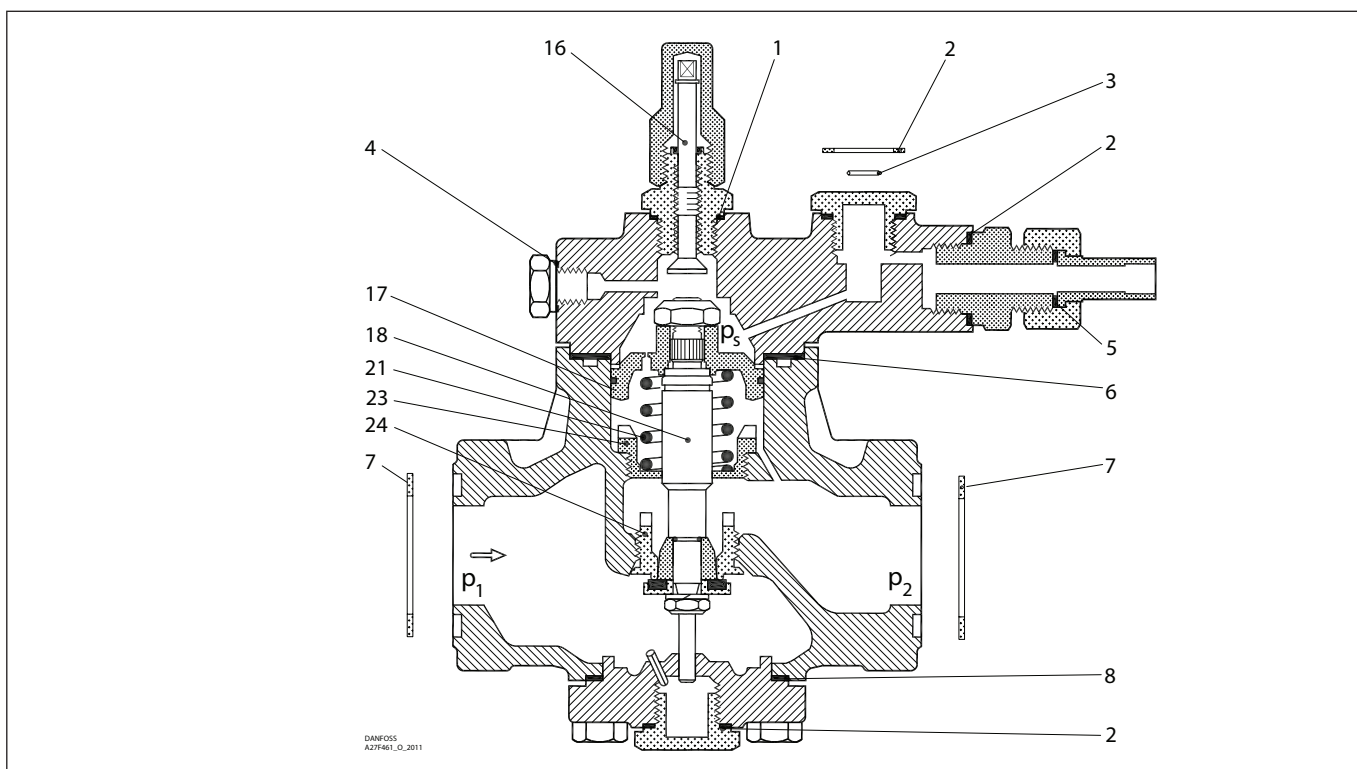
<p><b>1</b></p> <p>▨ = Alu.</p> <p>Total no. = 1</p>	<p><b>2</b></p> <p>▨ = Fibre</p> <p>Total no. = 4</p>	<p><b>3</b></p> <p>Total no. = 3</p>	<p><b>4</b></p> <p>▨ = Alu.</p> <p>Total no. = 1</p>	<p><b>5</b></p> <p>▨ = Alu.</p> <p>Total no. = 1</p>	<p><b>6</b></p> <p>▨ = Fibre</p> <p>Total no. = 1</p>
<p><b>7</b></p> <p>▨ = Fibre</p> <p>Total no. = 2</p>	<p><b>8</b></p> <p>▨ = Fibre</p> <p>Total no. = 1</p>	<p><b>9*</b></p> <p>▨ = Alu.</p> <p>Total no. = 1</p>	<p><b>10*</b></p> <p>▨ = Alu.</p> <p>Total no. = 1</p>	<p><b>16</b></p>	<p><b>17</b></p>
<p><b>18</b></p>	<p><b>21</b></p> <p>Standard</p> <p>Total no. = 1</p> <p>Weak</p> <p>Total no. = 1</p>	<p><b>23</b></p>	<p><b>24</b></p>		

\* The spare part is included in the package but is not used for PMFH size 200.



Data sheet – Spare parts and accessories

Overhaul kit | Code number 027F0709  
PMFH, size 300

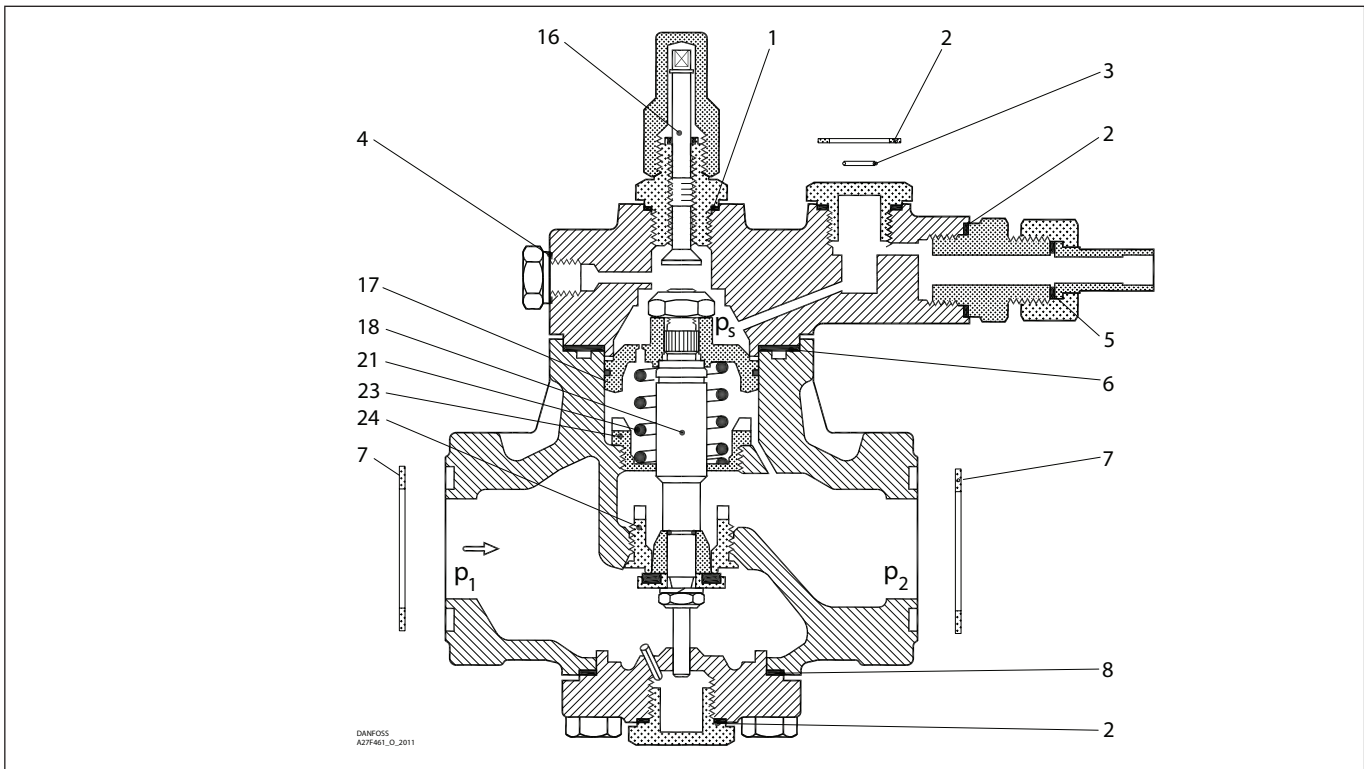


<p><b>1</b></p> <p>Alu.</p> <p>Total no. = 1</p>	<p><b>2</b></p> <p>Fibre</p> <p>Total no. = 4</p>	<p><b>3</b></p> <p>Total no. = 3</p>	<p><b>4</b></p> <p>Alu.</p> <p>Total no. = 1</p>	<p><b>5</b></p> <p>Alu.</p> <p>Total no. = 1</p>	<p><b>6</b></p> <p>Fibre</p> <p>Total no. = 1</p>
<p><b>7</b></p> <p>Fibre</p> <p>Total no. = 2</p>	<p><b>8</b></p> <p>Fibre</p> <p>Total no. = 1</p>	<p><b>9*</b></p> <p>Alu.</p> <p>Total no. = 1</p>	<p><b>10*</b></p> <p>Alu.</p> <p>Total no. = 1</p>	<p><b>16</b></p>	<p><b>17</b></p>
<p><b>18</b></p>	<p><b>21</b></p> <p>Standard Weak</p> <p>Total no. = 1</p>	<p><b>23</b></p>	<p><b>24</b></p>		

\* The spare part is included in the package but is not used for PMFH size 300.

Data sheet – Spare parts and accessories

**Overhaul kit | Code number 027F0710**  
**PMFH, size 500**

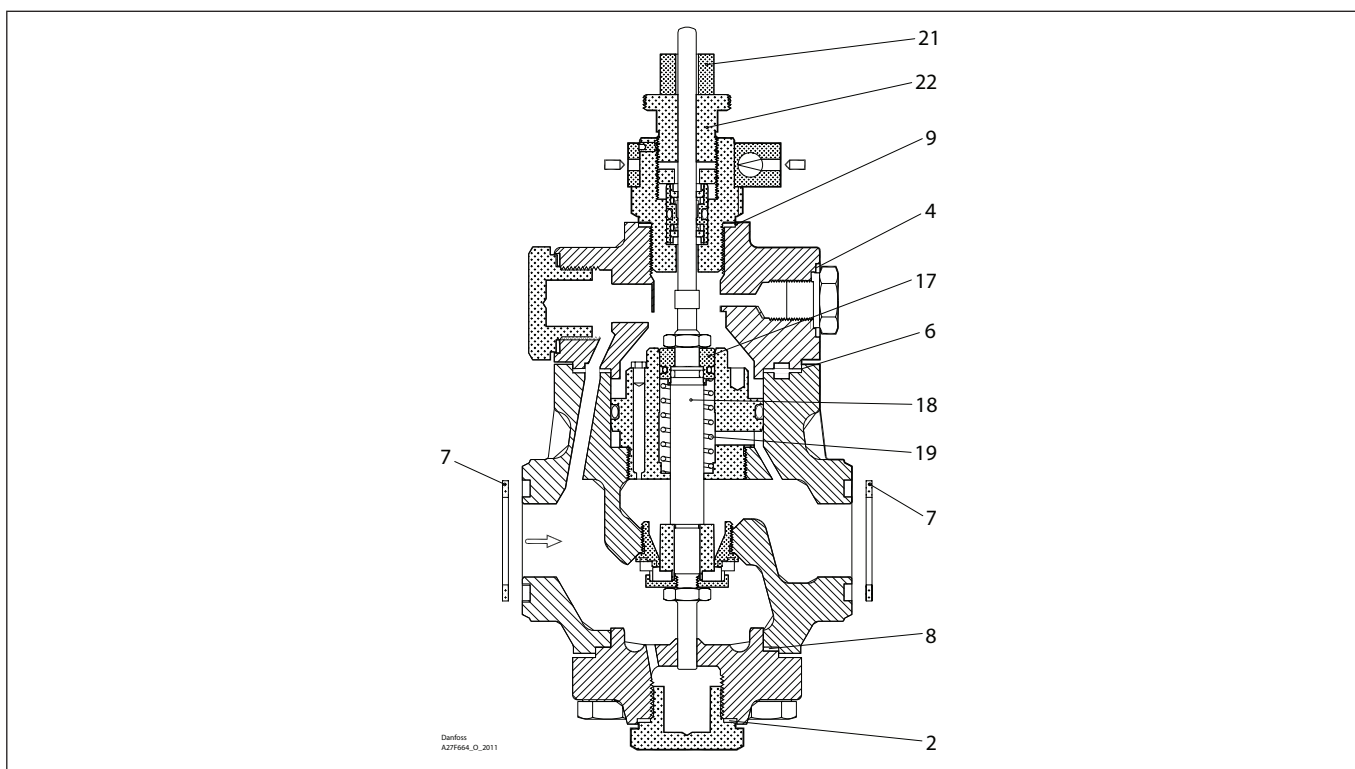


<p><b>1</b></p> <p>▨ = Alu.</p> <p>Ø26 mm Ø1.02"</p> <p>Total no. = 1</p>	<p><b>2</b></p> <p>▨ = Fibre</p> <p>Ø33 mm Ø1.28"</p> <p>Total no. = 4</p>	<p><b>3</b></p> <p>Ø9 mm Ø0.36"</p> <p>Total no. = 3</p>	<p><b>4</b></p> <p>▨ = Alu.</p> <p>Ø18 mm Ø0.70"</p> <p>Total no. = 1</p>	<p><b>5</b></p> <p>▨ = Alu.</p> <p>Ø14 mm Ø0.55"</p> <p>Total no. = 1</p>	<p><b>6</b></p> <p>▨ = Fibre</p> <p>Ø127 mm Ø5"</p> <p>Total no. = 1</p>
<p><b>7</b></p> <p>▨ = Fibre</p> <p>Ø87 mm Ø3.43"</p> <p>Total no. = 2</p>	<p><b>8</b></p> <p>▨ = Fibre</p> <p>Ø112 mm Ø4.41"</p> <p>Total no. = 1</p>	<p><b>9*</b></p> <p>▨ = Alu.</p> <p>Ø32 mm Ø1.26"</p> <p>Total no. = 1</p>	<p><b>10*</b></p> <p>▨ = Alu.</p> <p>Ø22 mm Ø0.87"</p> <p>Total no. = 1</p>	<p><b>16</b></p>	<p><b>17</b></p> <p>Ø100 mm Ø3.94"</p>
<p><b>18</b></p> <p>Ø42 mm Ø1.65"</p>	<p><b>21</b></p> <p>Standard</p> <p>Ø36 mm Ø1.42"</p> <p>Total no. = 1</p> <p>Weak</p> <p>Ø33 mm Ø1.30"</p> <p>Total no. = 1</p>	<p><b>23</b></p> <p>M80</p>	<p><b>24</b></p> <p>Ø50 mm Ø1.97"</p>		

\* The spare part is included in the package but is not used for PMFH size 500.

Data sheet – Spare parts and accessories

Overhaul kit | Code number 027F0760  
MEV, size 80-2

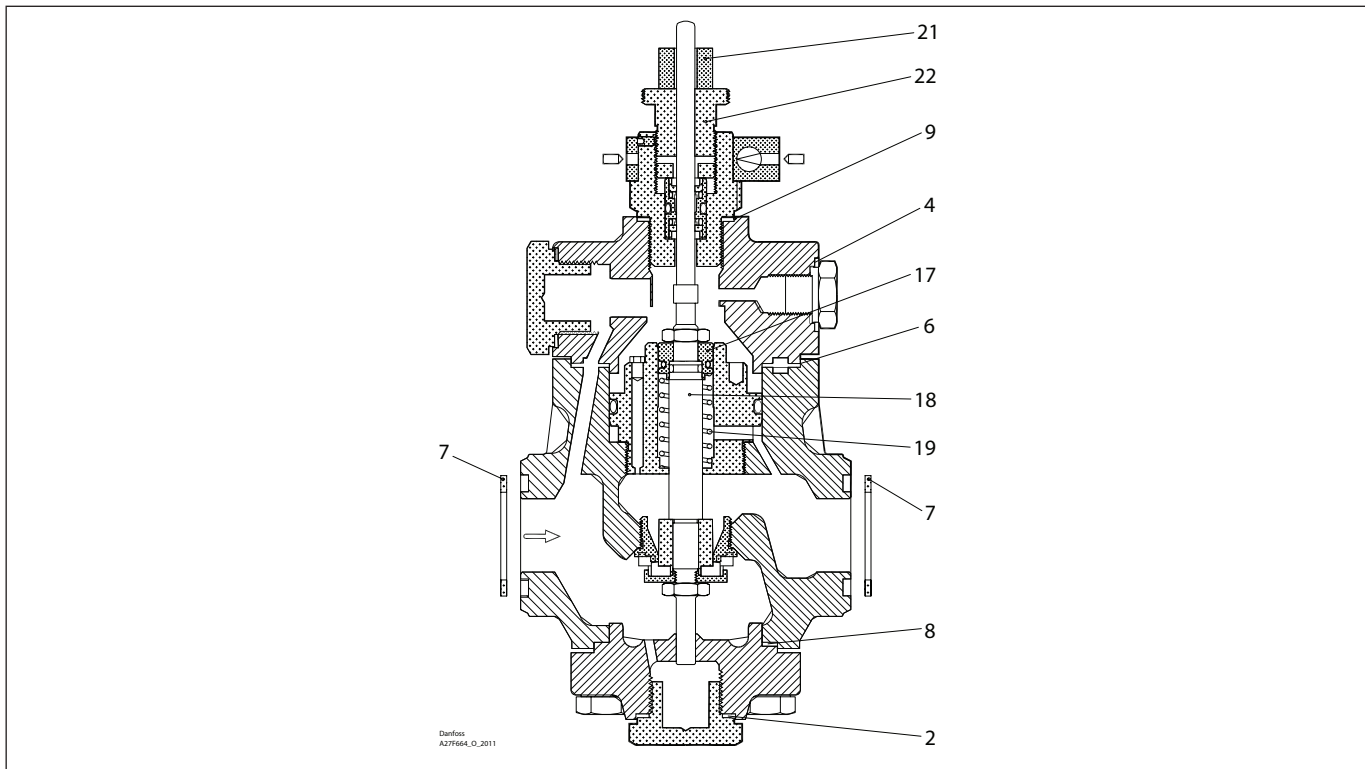


<p><b>1*</b></p> <p> = Alu.</p> <p></p> <p>Total no. = 1</p>	<p><b>2</b></p> <p> = Fibre</p> <p></p> <p>Total no. = 4</p>	<p><b>3*</b></p> <p></p> <p></p> <p>Total no. = 3</p>	<p><b>4</b></p> <p> = Alu.</p> <p></p> <p>Total no. = 1</p>	<p><b>5*</b></p> <p> = Alu.</p> <p></p> <p>Total no. = 1</p>	<p><b>6</b></p> <p> = Fibre</p> <p></p> <p>Total no. = 1</p>
<p><b>7</b></p> <p> = Fibre</p> <p></p> <p>Total no. = 2</p>	<p><b>8</b></p> <p> = Fibre</p> <p></p> <p>Total no. = 1</p>	<p><b>9</b></p> <p> = Alu.</p> <p></p> <p>Total no. = 1</p>	<p><b>10*</b></p> <p> = Alu.</p> <p></p> <p>Total no. = 1</p>	<p><b>17</b></p> <p></p>	<p><b>18</b></p> <p></p>
<p><b>19</b></p> <p></p> <p>Total no. = 1</p>	<p><b>21</b></p> <p></p> <p>Total no. = 1</p>	<p><b>22</b></p> <p></p>			

\* The spare part is included in the package but is not used for MEV 80-2.

Data sheet – Spare parts and accessories

Overhaul kit | Code number 027F0762  
MEV, size 80-4

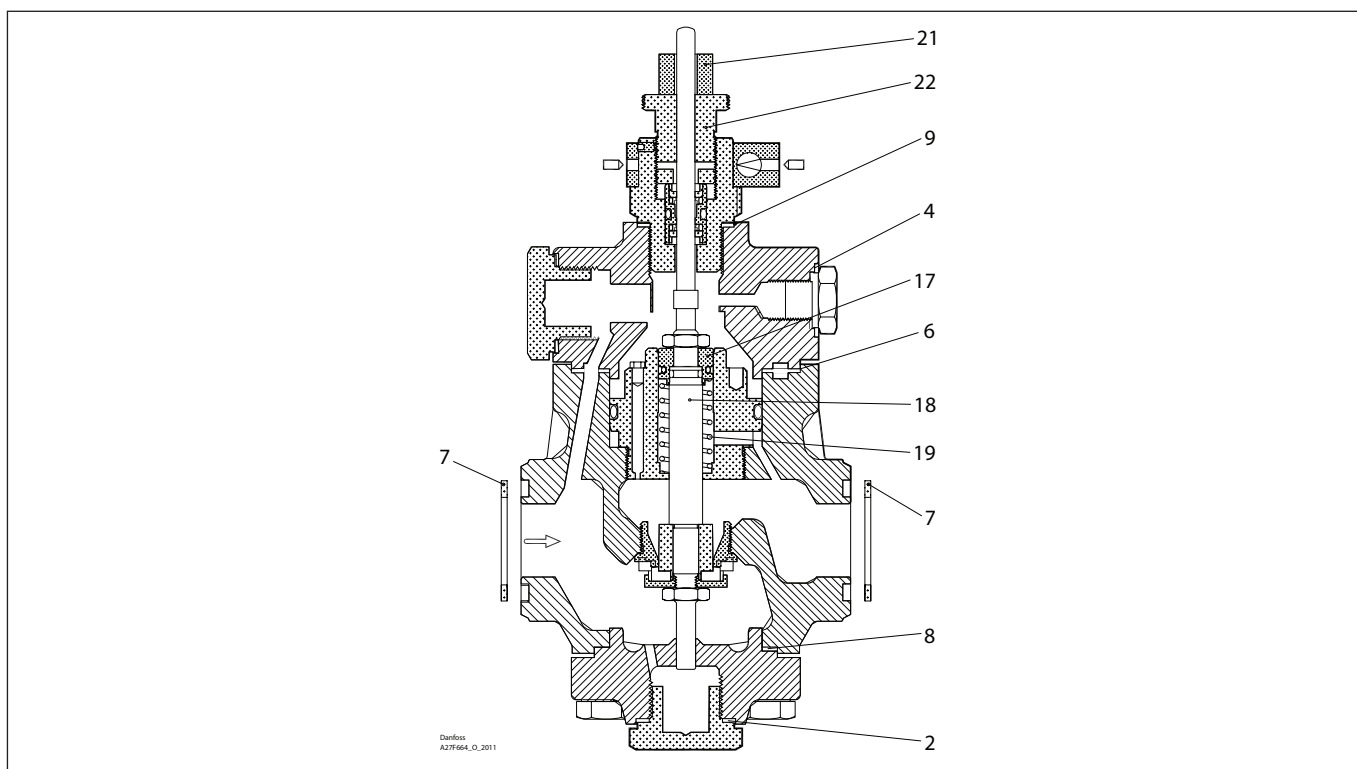


<p><b>1*</b></p> <p> = Alu.</p> <p> = Fibre</p> <p><math>\varnothing 26 \text{ mm}</math> <math>\varnothing 1.02''</math></p> <p>Total no. = 1</p>	<p><b>2</b></p> <p> = Alu.</p> <p> = Fibre</p> <p><math>\varnothing 33 \text{ mm}</math> <math>\varnothing 1.28''</math></p> <p>Total no. = 4</p>	<p><b>3*</b></p> <p> = Alu.</p> <p> = Fibre</p> <p><math>\varnothing 9 \text{ mm}</math> <math>\varnothing 0.36''</math></p> <p>Total no. = 3</p>	<p><b>4</b></p> <p> = Alu.</p> <p><math>\varnothing 18 \text{ mm}</math> <math>\varnothing 0.70''</math></p> <p>Total no. = 1</p>	<p><b>5*</b></p> <p> = Alu.</p> <p><math>\varnothing 14 \text{ mm}</math> <math>\varnothing 0.55''</math></p> <p>Total no. = 1</p>	<p><b>6</b></p> <p> = Fibre</p> <p><math>\varnothing 75 \text{ mm}</math> <math>\varnothing 2.95''</math></p> <p>Total no. = 1</p>
<p><b>7</b></p> <p> = Fibre</p> <p><math>\varnothing 39 \text{ mm}</math> <math>\varnothing 1.54''</math></p> <p>Total no. = 2</p>	<p><b>8</b></p> <p> = Fibre</p> <p><math>\varnothing 60 \text{ mm}</math> <math>\varnothing 2.36''</math></p> <p>Total no. = 1</p>	<p><b>9</b></p> <p> = Alu.</p> <p><math>\varnothing 32 \text{ mm}</math> <math>\varnothing 1.26''</math></p> <p>Total no. = 1</p>	<p><b>10*</b></p> <p> = Alu.</p> <p><math>\varnothing 22 \text{ mm}</math> <math>\varnothing 0.87''</math></p> <p>Total no. = 1</p>	<p><b>17</b></p> <p> <math>\varnothing 18 \text{ mm}</math> <math>\varnothing 0.71''</math></p>	<p><b>18</b></p> <p> <math>\varnothing 18 \text{ mm}</math> <math>\varnothing 0.71''</math></p>
<p><b>19</b></p> <p> <math>\varnothing 16 \text{ mm}</math> <math>\varnothing 0.63''</math></p> <p>Total no. = 1</p>	<p><b>21</b></p> <p> <math>\varnothing 17 \text{ mm}</math> <math>\varnothing 0.67''</math></p> <p>Total no. = 1</p>	<p><b>22</b></p> <p> <math>9 \text{ mm}</math> <math>0.35''</math></p>			

\*The spare part is included in the package but is not used for MEV 80-4.

Data sheet – Spare parts and accessories

Overhaul kit | Code number 027F0763  
MEV, size 80-5

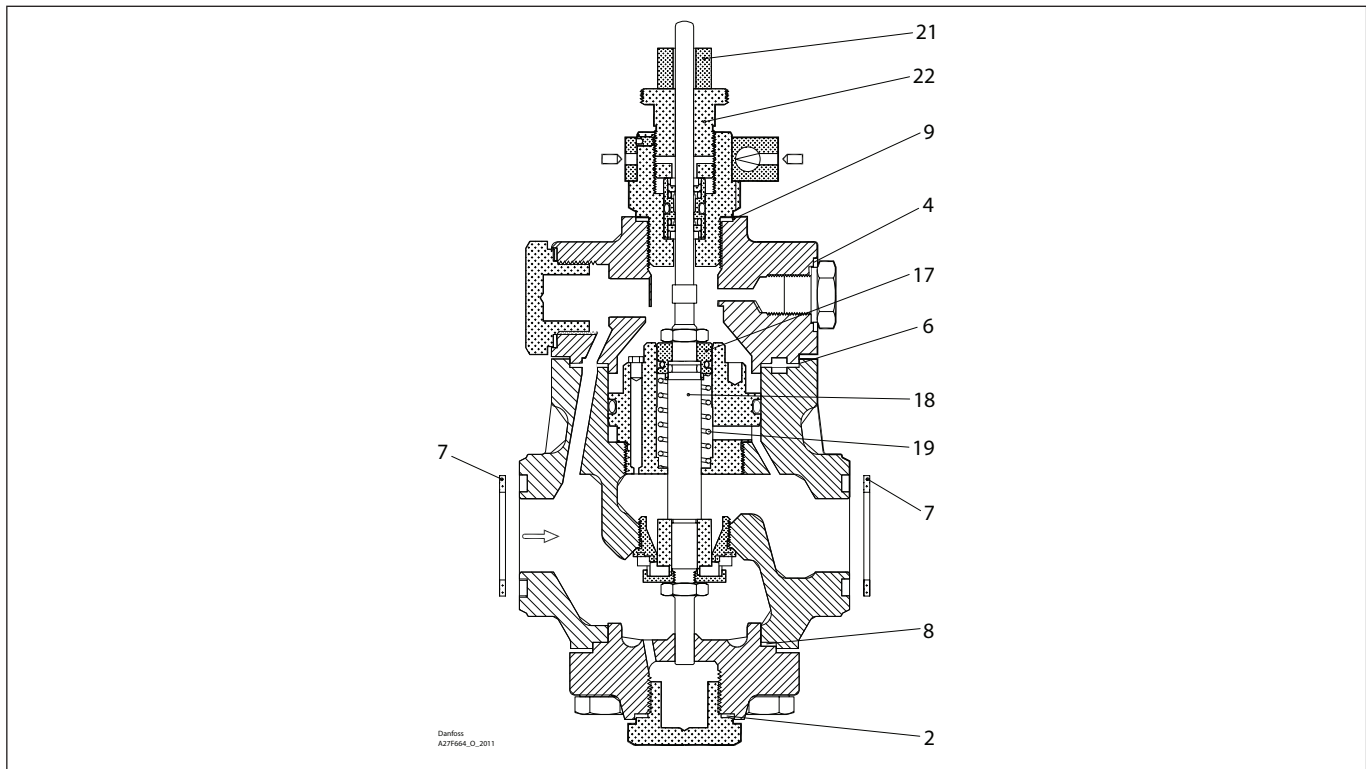


<p><b>1*</b></p> <p> = Alu.</p> <p><math>\varnothing 26 \text{ mm}</math> <math>\varnothing 1.02''</math></p> <p>Total no. = 1</p>	<p><b>2</b></p> <p> = Fibre</p> <p><math>\varnothing 33 \text{ mm}</math> <math>\varnothing 1.28''</math></p> <p>Total no. = 4</p>	<p><b>3*</b></p> <p> = Alu.</p> <p><math>\varnothing 9 \text{ mm}</math> <math>\varnothing 0.36''</math></p> <p>Total no. = 3</p>	<p><b>4</b></p> <p> = Alu.</p> <p><math>\varnothing 18 \text{ mm}</math> <math>\varnothing 0.70''</math></p> <p>Total no. = 1</p>	<p><b>5*</b></p> <p> = Alu.</p> <p><math>\varnothing 14 \text{ mm}</math> <math>\varnothing 0.55''</math></p> <p>Total no. = 1</p>	<p><b>6</b></p> <p> = Fibre</p> <p><math>\varnothing 75 \text{ mm}</math> <math>\varnothing 2.95''</math></p> <p>Total no. = 1</p>
<p><b>7</b></p> <p> = Fibre</p> <p><math>\varnothing 39 \text{ mm}</math> <math>\varnothing 1.54''</math></p> <p>Total no. = 2</p>	<p><b>8</b></p> <p> = Fibre</p> <p><math>\varnothing 60 \text{ mm}</math> <math>\varnothing 2.36''</math></p> <p>Total no. = 1</p>	<p><b>9</b></p> <p> = Alu.</p> <p><math>\varnothing 32 \text{ mm}</math> <math>\varnothing 1.26''</math></p> <p>Total no. = 1</p>	<p><b>10*</b></p> <p> = Alu.</p> <p><math>\varnothing 22 \text{ mm}</math> <math>\varnothing 0.87''</math></p> <p>Total no. = 1</p>	<p><b>17</b></p> <p> = Alu.</p> <p><math>\varnothing 18 \text{ mm}</math> <math>\varnothing 0.71''</math></p>	<p><b>18</b></p> <p> = Alu.</p> <p><math>\varnothing 18 \text{ mm}</math> <math>\varnothing 0.71''</math></p>
<p><b>19</b></p> <p> = Alu.</p> <p><math>\varnothing 16 \text{ mm}</math> <math>\varnothing 0.63''</math></p> <p>Total no. = 1</p>	<p><b>21</b></p> <p> = Alu.</p> <p><math>\varnothing 17 \text{ mm}</math> <math>\varnothing 0.67''</math></p> <p>Total no. = 1</p>	<p><b>22</b></p> <p> = Alu.</p> <p>9mm 0.35''</p>			

\* The spare part is included in the package but is not used for MEV 80-5.

Data sheet – Spare parts and accessories

Overhaul kit | Code number 027F0764  
MEV, size 80-6

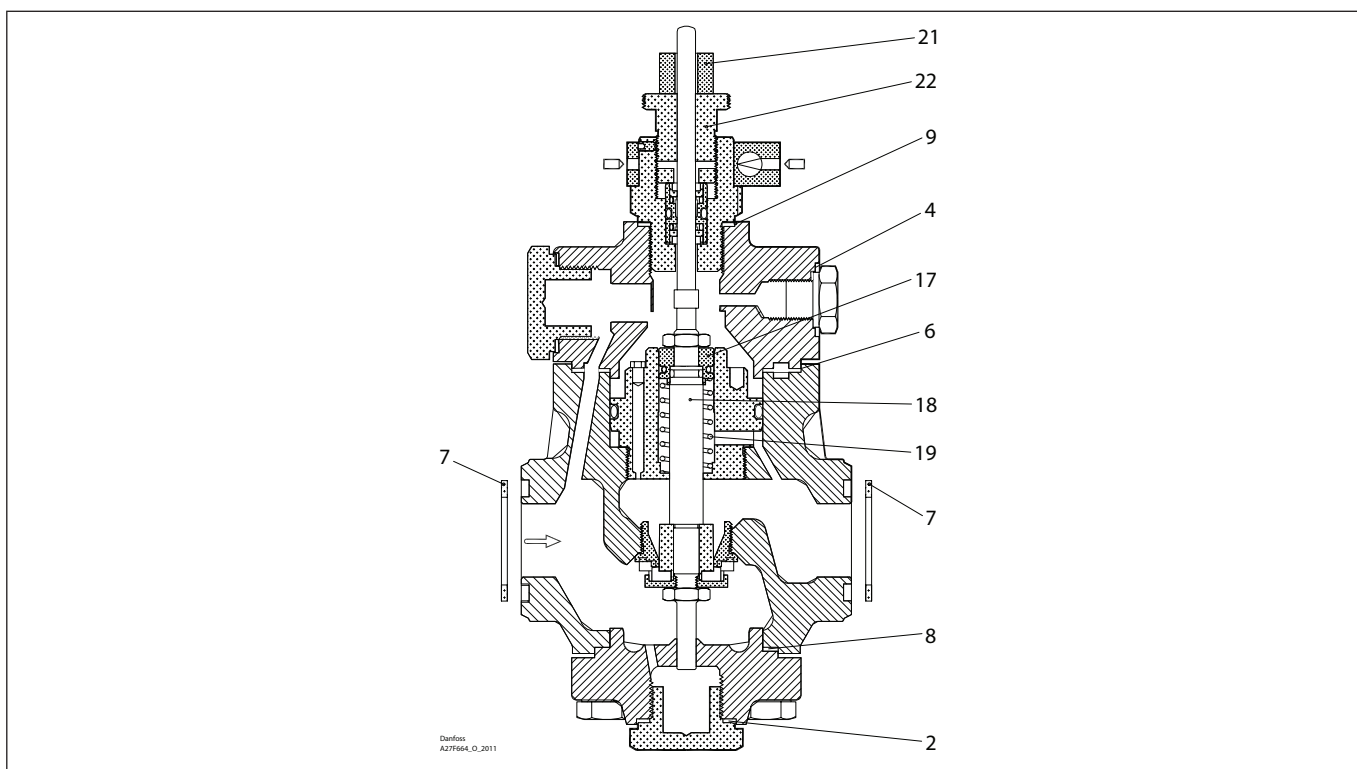


<p><b>1*</b></p> <p> = Alu.</p> <p></p> <p>Total no. = 1</p>	<p><b>2</b></p> <p> = Fibre</p> <p></p> <p>Total no. = 4</p>	<p><b>3*</b></p> <p> = Alu.</p> <p></p> <p>Total no. = 3</p>	<p><b>4</b></p> <p> = Alu.</p> <p></p> <p>Total no. = 1</p>	<p><b>5*</b></p> <p> = Alu.</p> <p></p> <p>Total no. = 1</p>	<p><b>6</b></p> <p> = Fibre</p> <p></p> <p>Total no. = 1</p>
<p><b>7</b></p> <p> = Fibre</p> <p></p> <p>Total no. = 2</p>	<p><b>8</b></p> <p> = Fibre</p> <p></p> <p>Total no. = 1</p>	<p><b>9</b></p> <p> = Alu.</p> <p></p> <p>Total no. = 1</p>	<p><b>10*</b></p> <p> = Alu.</p> <p></p> <p>Total no. = 1</p>	<p><b>17</b></p> <p></p>	<p><b>18</b></p> <p></p>
<p><b>19</b></p> <p></p> <p>Total no. = 1</p>	<p><b>21</b></p> <p></p> <p>Total no. = 1</p>	<p><b>22</b></p> <p></p>			

\* The spare part is included in the package but is not used for MEV 80-6.

Data sheet – Spare parts and accessories

Overhaul kit | Code number 027F0765  
MEV, size 80-7

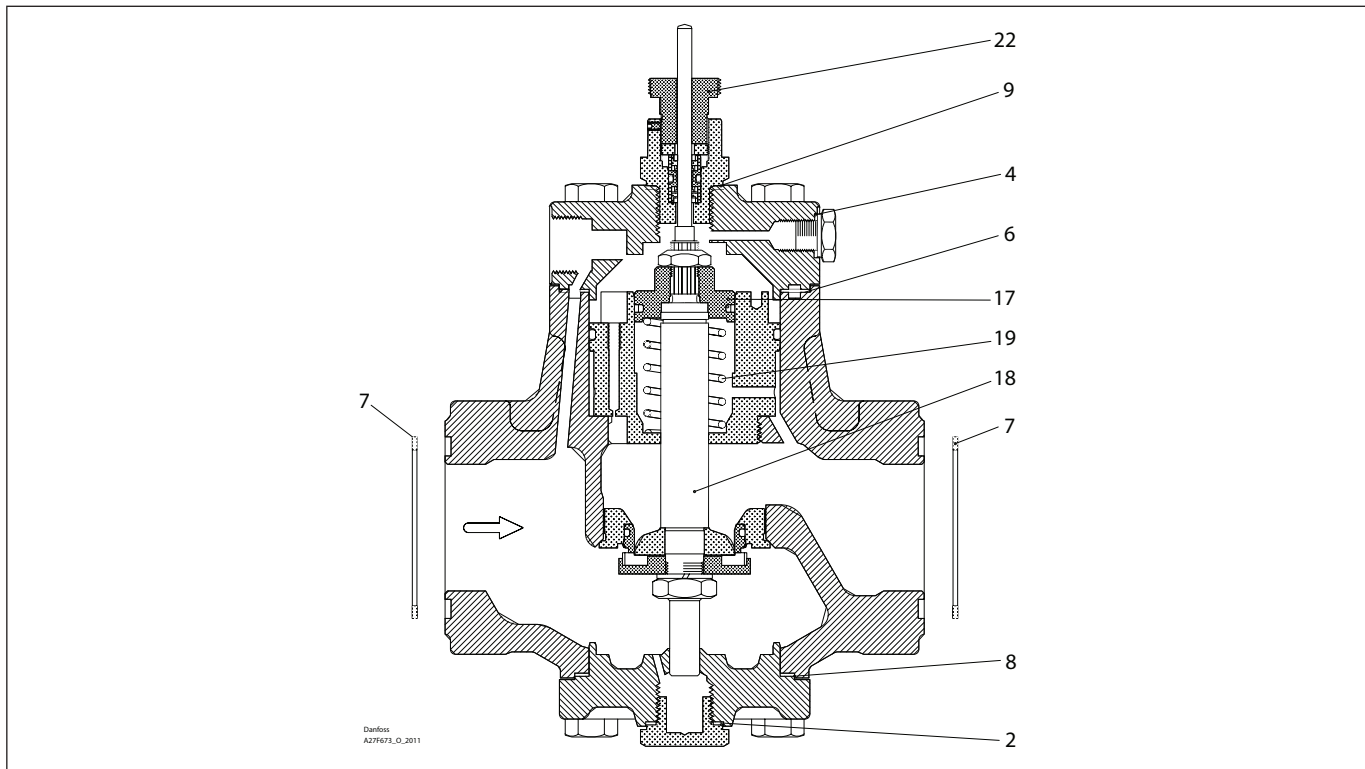


<p><b>1*</b></p> <p> = Alu.</p> <p></p> <p>Total no. = 1</p>	<p><b>2</b></p> <p> = Fibre</p> <p></p> <p>Total no. = 4</p>	<p><b>3*</b></p> <p></p> <p></p> <p>Total no. = 3</p>	<p><b>4</b></p> <p> = Alu.</p> <p></p> <p>Total no. = 1</p>	<p><b>5*</b></p> <p> = Alu.</p> <p></p> <p>Total no. = 1</p>	<p><b>6</b></p> <p> = Fibre</p> <p></p> <p>Total no. = 1</p>
<p><b>7</b></p> <p> = Fibre</p> <p></p> <p>Total no. = 2</p>	<p><b>8</b></p> <p> = Fibre</p> <p></p> <p>Total no. = 1</p>	<p><b>9</b></p> <p> = Alu.</p> <p></p> <p>Total no. = 1</p>	<p><b>10*</b></p> <p> = Alu.</p> <p></p> <p>Total no. = 1</p>	<p><b>17</b></p> <p></p>	<p><b>18</b></p> <p></p>
<p><b>19</b></p> <p></p> <p>Total no. = 1</p>	<p><b>21</b></p> <p></p> <p>Total no. = 1</p>	<p><b>22</b></p> <p></p>			

\* The spare part is included in the package but is not used for MEV 80-7.

Data sheet – Spare parts and accessories

Overhaul kit | Code number 027F0766  
MEV, size 125



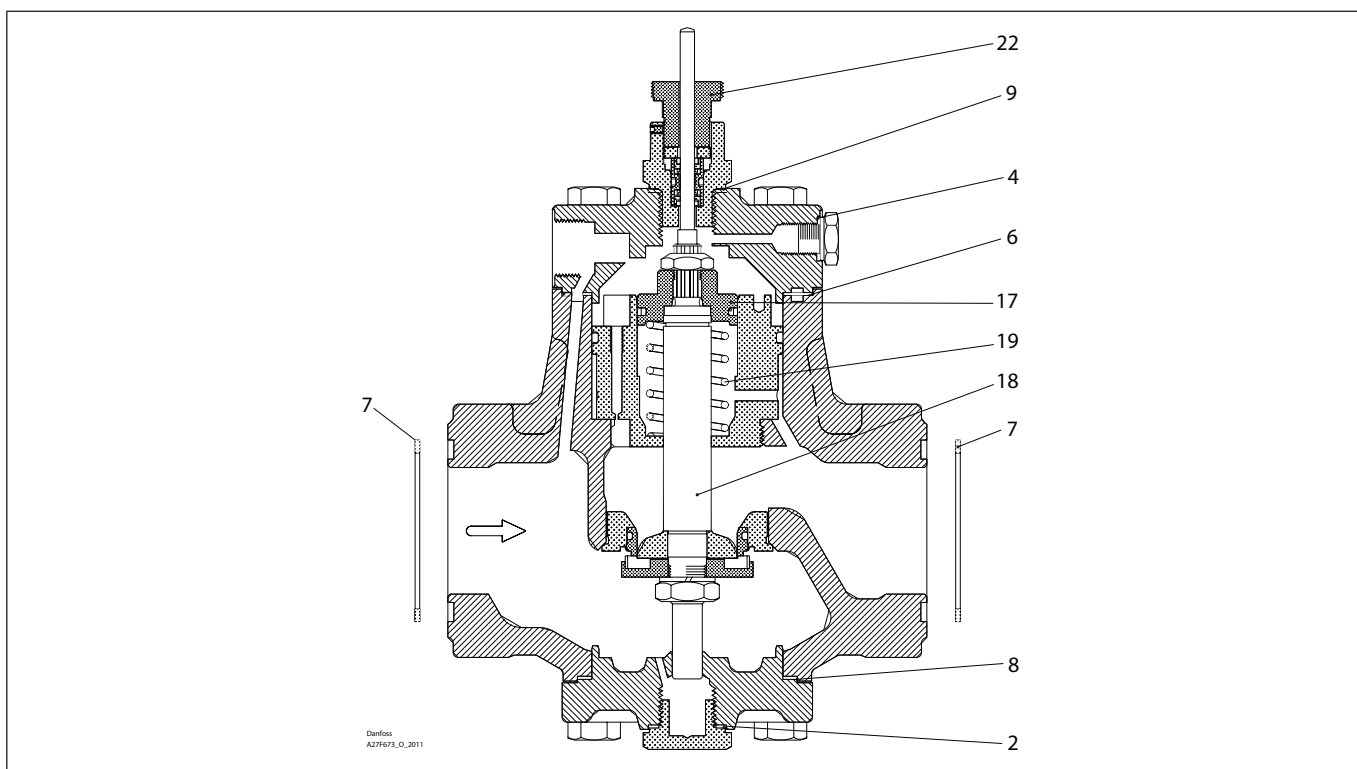
<p><b>1*</b></p> <p>Alu.</p> <p>Total no. = 1</p>	<p><b>2</b></p> <p>Fibre</p> <p>Total no. = 4</p>	<p><b>3*</b></p> <p>Total no. = 3</p>	<p><b>4</b></p> <p>Alu.</p> <p>Total no. = 1</p>	<p><b>5*</b></p> <p>Alu.</p> <p>Total no. = 1</p>	<p><b>6</b></p> <p>Fibre</p> <p>Total no. = 1</p>
<p><b>7</b></p> <p>Fibre</p> <p>Total no. = 2</p>	<p><b>8</b></p> <p>Fibre</p> <p>Total no. = 1</p>	<p><b>9</b></p> <p>Alu.</p> <p>Total no. = 1</p>	<p><b>10*</b></p> <p>Alu.</p> <p>Total no. = 1</p>	<p><b>17</b></p>	<p><b>18</b></p>
<p><b>19</b></p> <p>Total no. = 1</p>	<p><b>22</b></p>				

\* The spare part is included in the package but is not used for MEV 125.



Data sheet – Spare parts and accessories

Overhaul kit | Code number 027F0767  
MEV, size 200

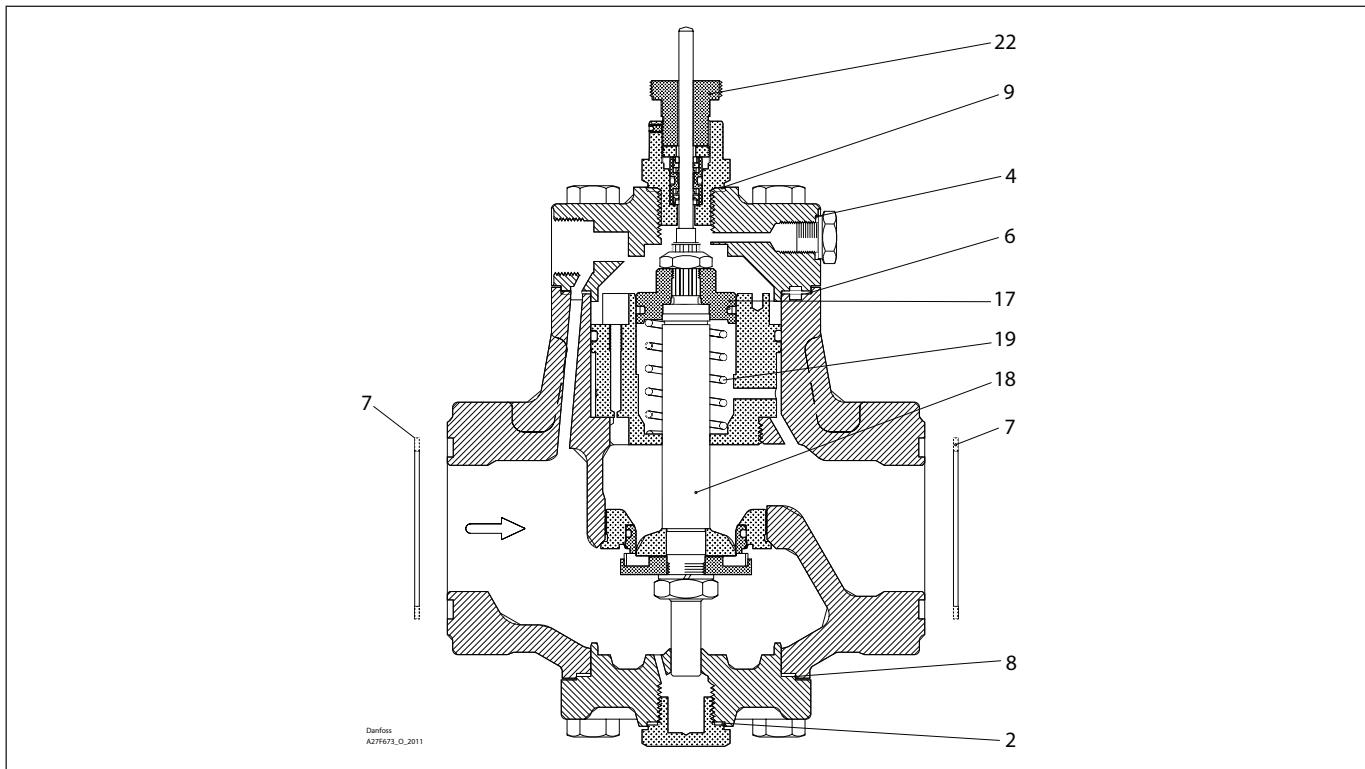


<p><b>1*</b></p> <p> = Alu.</p> <p><math>\varnothing 26 \text{ mm}</math> <math>\varnothing 1.02''</math></p> <p>Total no. = 1</p>	<p><b>2</b></p> <p> = Fibre</p> <p><math>\varnothing 33 \text{ mm}</math> <math>\varnothing 1.28''</math></p> <p>Total no. = 4</p>	<p><b>3*</b></p> <p> = Alu.</p> <p><math>\varnothing 9 \text{ mm}</math> <math>\varnothing 0.36''</math></p> <p>Total no. = 3</p>	<p><b>4</b></p> <p> = Alu.</p> <p><math>\varnothing 18 \text{ mm}</math> <math>\varnothing 0.70''</math></p> <p>Total no. = 1</p>	<p><b>5*</b></p> <p> = Alu.</p> <p><math>\varnothing 14 \text{ mm}</math> <math>\varnothing 0.55''</math></p> <p>Total no. = 1</p>	<p><b>6</b></p> <p> = Fibre</p> <p><math>\varnothing 93 \text{ mm}</math> <math>\varnothing 3.66''</math></p> <p>Total no. = 1</p>
<p><b>7</b></p> <p> = Fibre</p> <p><math>\varnothing 65 \text{ mm}</math> <math>\varnothing 2.56''</math></p> <p>Total no. = 2</p>	<p><b>8</b></p> <p> = Fibre</p> <p><math>\varnothing 78 \text{ mm}</math> <math>\varnothing 3.07''</math></p> <p>Total no. = 1</p>	<p><b>9</b></p> <p> = Alu.</p> <p><math>\varnothing 32 \text{ mm}</math> <math>\varnothing 1.26''</math></p> <p>Total no. = 1</p>	<p><b>10*</b></p> <p> = Alu.</p> <p><math>\varnothing 22 \text{ mm}</math> <math>\varnothing 0.87''</math></p> <p>Total no. = 1</p>	<p><b>17</b></p> <p> <math>\varnothing 26 \text{ mm}</math> 1.02"</p>	<p><b>18</b></p> <p> <math>\varnothing 26 \text{ mm}</math> <math>\varnothing 1.02''</math></p>
<p><b>19</b></p> <p> <math>\varnothing 22 \text{ mm}</math> <math>\varnothing 0.87''</math></p> <p>Total no. = 1</p>	<p><b>22</b></p> <p> 9mm 0.35"</p>				

\* The spare part is included in the package but is not used for MEV 200.

Data sheet – Spare parts and accessories

Overhaul kit | Code number 027F0768  
MEV, size 300

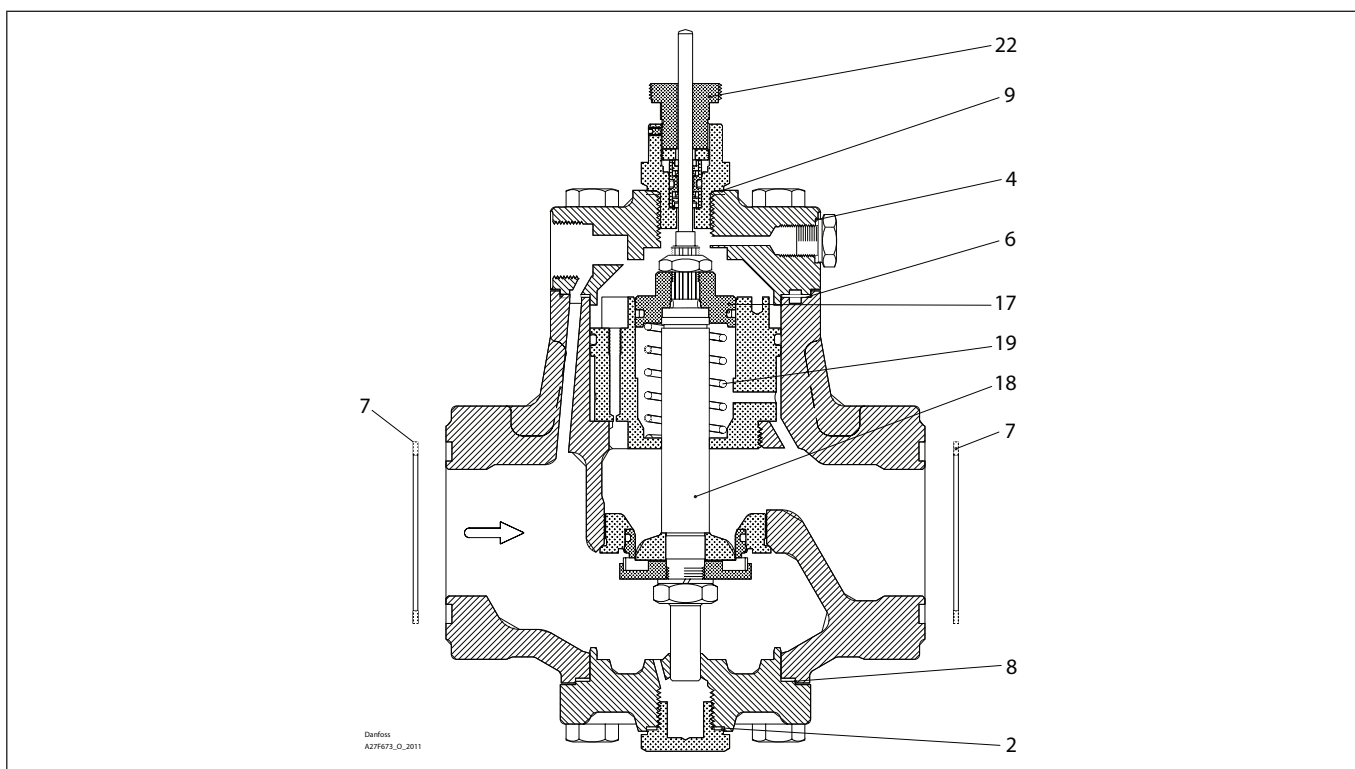


<p><b>1*</b></p> <p>▨ = Alu.</p> <p>Ø26 mm Ø1.02"</p> <p>Total no. = 1</p>	<p><b>2</b></p> <p>▨ = Fibre</p> <p>Ø33 mm Ø1.28"</p> <p>Total no. = 4</p>	<p><b>3*</b></p> <p>▨ = Alu.</p> <p>Ø9 mm Ø0.36"</p> <p>Total no. = 3</p>	<p><b>4</b></p> <p>▨ = Alu.</p> <p>Ø18 mm Ø0.70"</p> <p>Total no. = 1</p>	<p><b>5*</b></p> <p>▨ = Alu.</p> <p>Ø14 mm Ø0.55"</p> <p>Total no. = 1</p>	<p><b>6</b></p> <p>▨ = Fibre</p> <p>Ø105 mm Ø4.13"</p> <p>Total no. = 1</p>
<p><b>7</b></p> <p>▨ = Fibre</p> <p>Ø76 mm Ø2.99"</p> <p>Total no. = 2</p>	<p><b>8</b></p> <p>▨ = Fibre</p> <p>Ø92 mm Ø3.62"</p> <p>Total no. = 1</p>	<p><b>9</b></p> <p>▨ = Alu.</p> <p>Ø32 mm Ø1.26"</p> <p>Total no. = 1</p>	<p><b>10*</b></p> <p>▨ = Alu.</p> <p>Ø22 mm Ø0.87"</p> <p>Total no. = 1</p>	<p><b>17</b></p> <p>Ø32mm 1,26"</p>	<p><b>18</b></p> <p>Ø32mm Ø1,26"</p>
<p><b>19</b></p> <p>Ø28 mm Ø1.10"</p> <p>Total no. = 1</p>	<p><b>22</b></p> <p>9mm 0.35"</p>				

\* The spare part is included in the package but is not used for MEV 300.

Data sheet – Spare parts and accessories

Overhaul kit | Code number 027F0769  
MEV, size 500

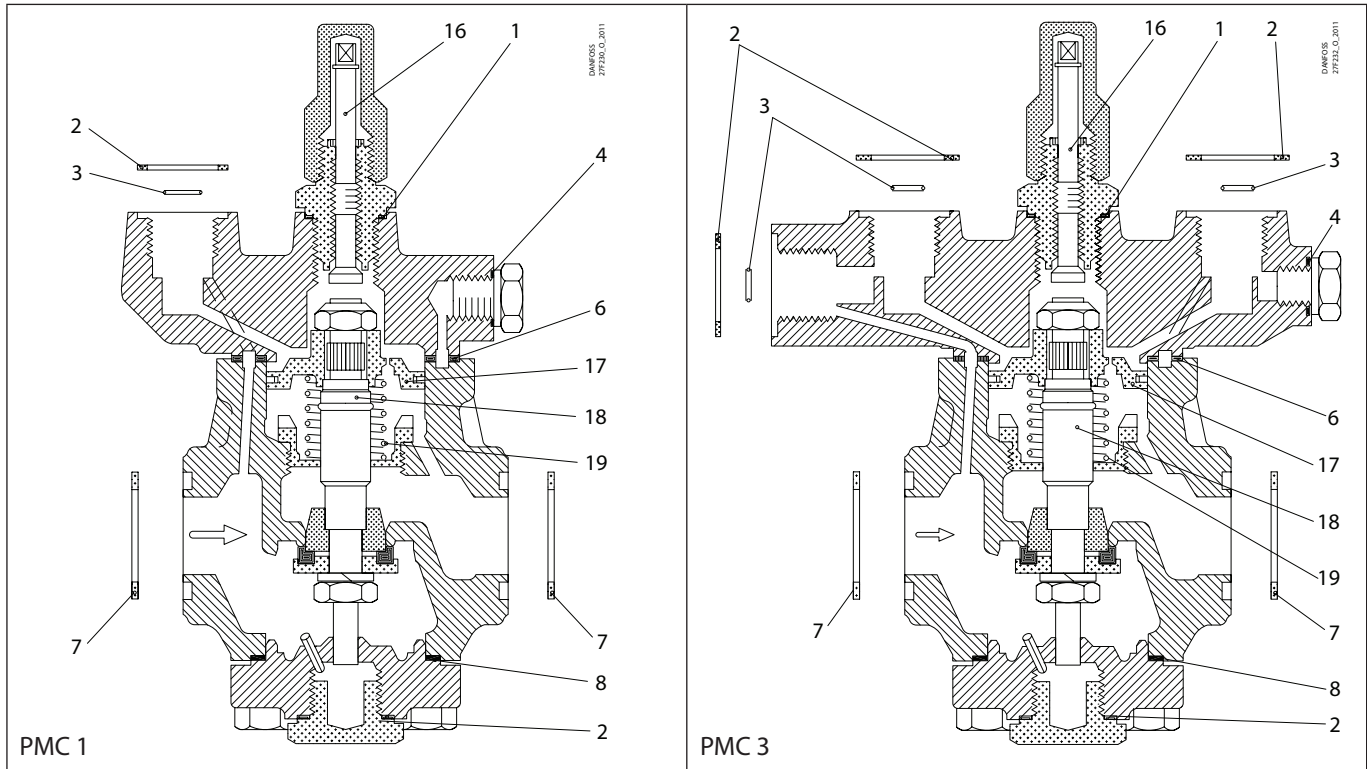


<p><b>1*</b></p> <p> = Alu.</p> <p><math>\varnothing 26 \text{ mm}</math> <math>\varnothing 1.02''</math></p> <p>Total no. = 1</p>	<p><b>2</b></p> <p> = Fibre</p> <p><math>\varnothing 33 \text{ mm}</math> <math>\varnothing 1.28''</math></p> <p>Total no. = 4</p>	<p><b>3*</b></p> <p> = Alu.</p> <p><math>\varnothing 9 \text{ mm}</math> <math>\varnothing 0.36''</math></p> <p>Total no. = 3</p>	<p><b>4</b></p> <p> = Alu.</p> <p><math>\varnothing 18 \text{ mm}</math> <math>\varnothing 0.70''</math></p> <p>Total no. = 1</p>	<p><b>5*</b></p> <p> = Alu.</p> <p><math>\varnothing 14 \text{ mm}</math> <math>\varnothing 0.55''</math></p> <p>Total no. = 1</p>	<p><b>6</b></p> <p> = Fibre</p> <p><math>\varnothing 127 \text{ mm}</math> <math>\varnothing 5''</math></p> <p>Total no. = 1</p>
<p><b>7</b></p> <p> = Fibre</p> <p><math>\varnothing 87 \text{ mm}</math> <math>\varnothing 3.43''</math></p> <p>Total no. = 2</p>	<p><b>8</b></p> <p> = Fibre</p> <p><math>\varnothing 112 \text{ mm}</math> <math>\varnothing 4.41''</math></p> <p>Total no. = 1</p>	<p><b>9</b></p> <p> = Alu.</p> <p><math>\varnothing 32 \text{ mm}</math> <math>\varnothing 1.26''</math></p> <p>Total no. = 1</p>	<p><b>10*</b></p> <p> = Alu.</p> <p><math>\varnothing 22 \text{ mm}</math> <math>\varnothing 0.87''</math></p> <p>Total no. = 1</p>	<p><b>17</b></p> <p> <math>\varnothing 42 \text{ mm}</math> 1.64"</p>	<p><b>18</b></p> <p> <math>\varnothing 42 \text{ mm}</math> <math>\varnothing 1.65''</math></p>
<p><b>19</b></p> <p> <math>\varnothing 34 \text{ mm}</math> <math>\varnothing 1.34''</math></p> <p>Total no. = 1</p>	<p><b>22</b></p> <p> 29mm 1.14"</p>				

\* The spare part is included in the package but is not used for MEV 500.

Data sheet – Spare parts and accessories

**Overhaul kit | Code number 027F0770**  
**PMC, size 5**

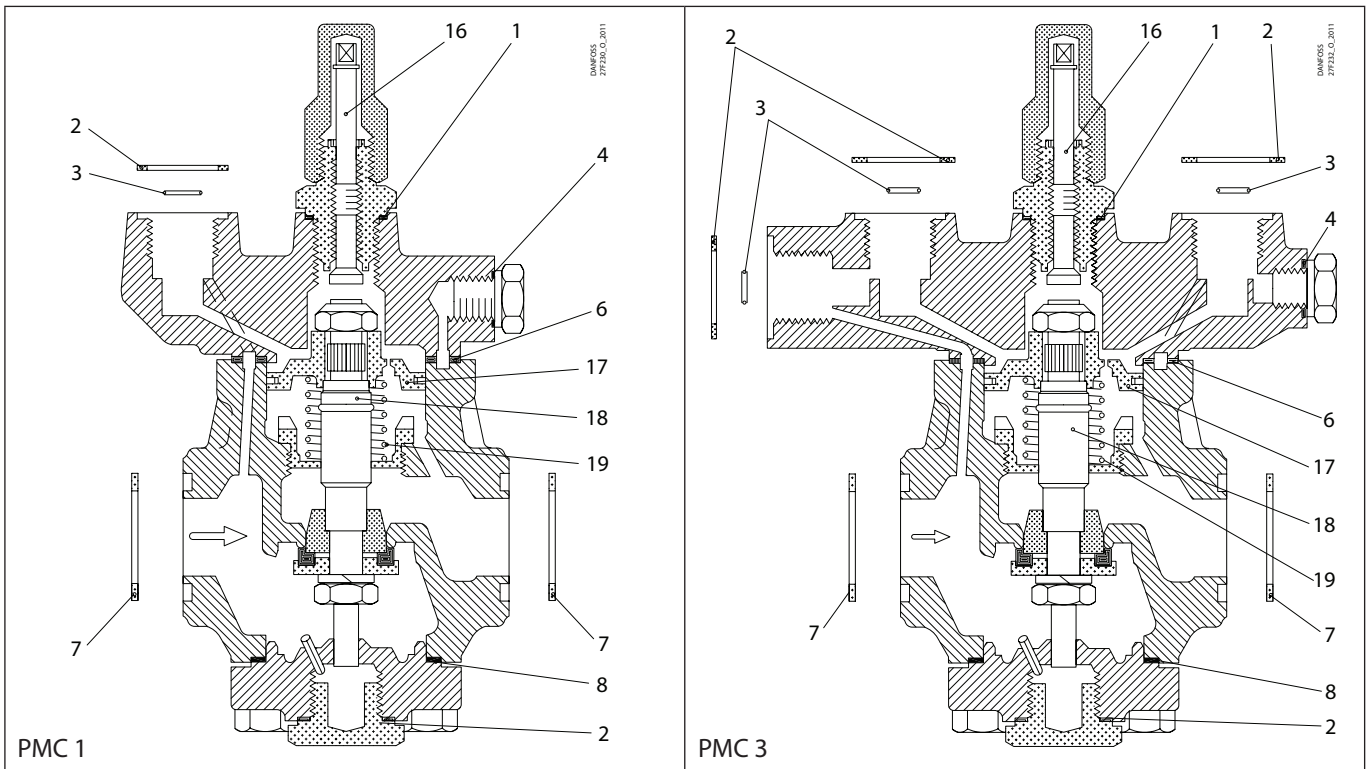


<p><b>1</b></p> <p> = Alu.</p> <p></p> <p>Total no. = 1</p>	<p><b>2</b></p> <p> = Fibre</p> <p></p> <p>Total no. = 4</p>	<p><b>3</b></p> <p></p> <p></p> <p>Total no. = 3</p>	<p><b>4</b></p> <p> = Alu.</p> <p></p> <p>Total no. = 1</p>	<p><b>5*</b></p> <p> = Alu.</p> <p></p> <p>Total no. = 1</p>	<p><b>6</b></p> <p> = Fibre</p> <p></p> <p>Total no. = 1</p>
<p><b>7</b></p> <p> = Fibre</p> <p></p> <p>Total no. = 2</p>	<p><b>8</b></p> <p> = Fibre</p> <p></p> <p>Total no. = 1</p>	<p><b>9*</b></p> <p> = Alu.</p> <p></p> <p>Total no. = 1</p>	<p><b>10*</b></p> <p> = Alu.</p> <p></p> <p>Total no. = 1</p>	<p><b>16</b></p> <p></p>	<p><b>17</b></p> <p></p> <p>Ø50 mm Ø1.97"</p>
<p><b>18</b></p> <p></p> <p>Ø26 mm Ø1.02"</p>	<p><b>19</b></p> <p></p> <p>Ø26 mm Ø1.04"</p> <p>Total no. = 1</p>				

\* The spare part is included in the package but is not used for PMC 1 or PMC 3..

Data sheet – Spare parts and accessories

Overhaul kit | Code number 027F0754  
PMC, size 8

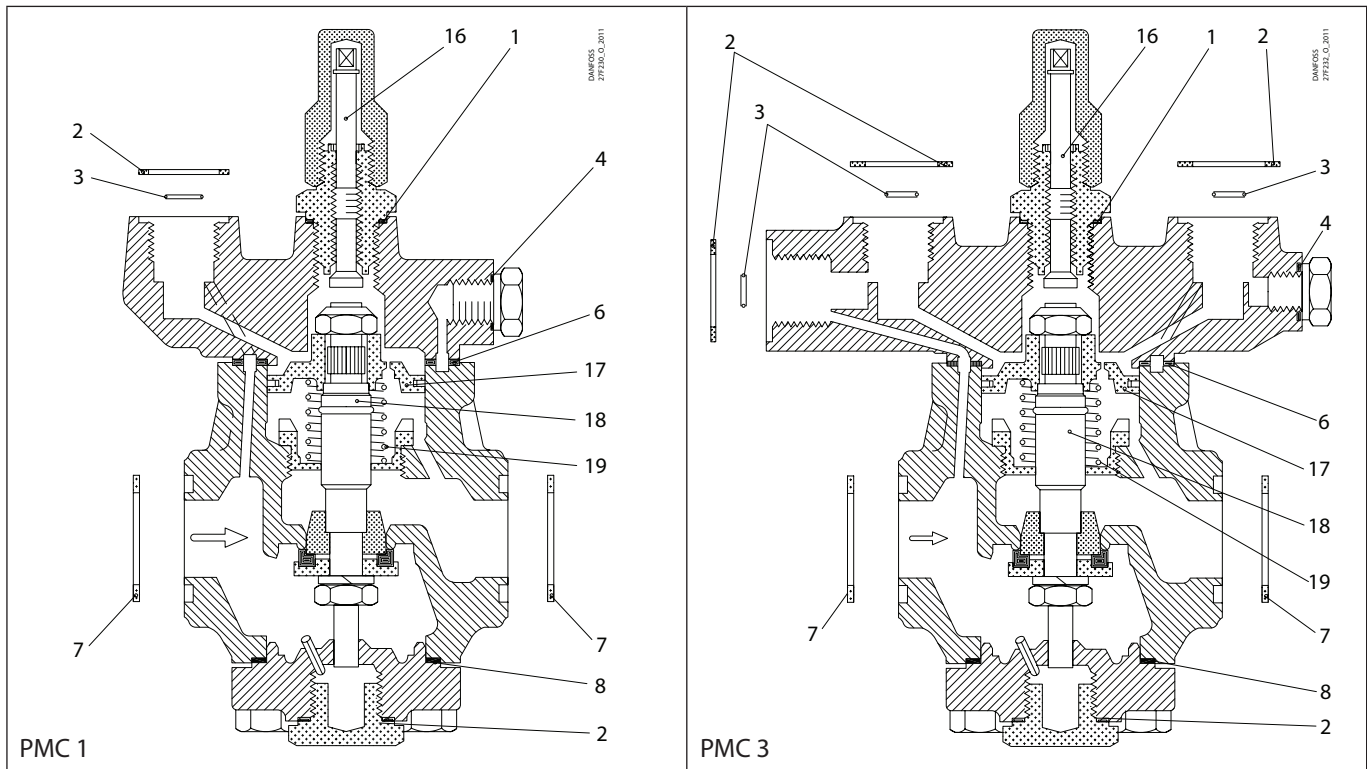


<p><b>1</b></p> <p> = Alu.</p> <p></p> <p>Total no. = 1</p>	<p><b>2</b></p> <p> = Fibre</p> <p></p> <p>Total no. = 4</p>	<p><b>3</b></p> <p></p> <p>Total no. = 3</p>	<p><b>4</b></p> <p> = Alu.</p> <p></p> <p>Total no. = 1</p>	<p><b>5*</b></p> <p> = Alu.</p> <p></p> <p>Total no. = 1</p>	<p><b>6</b></p> <p> = Fibre</p> <p></p> <p>Total no. = 1</p>
<p><b>7</b></p> <p> = Fibre</p> <p></p> <p>Total no. = 2</p>	<p><b>8</b></p> <p> = Fibre</p> <p></p> <p>Total no. = 1</p>	<p><b>9*</b></p> <p> = Alu.</p> <p></p> <p>Total no. = 1</p>	<p><b>10*</b></p> <p> = Alu.</p> <p></p> <p>Total no. = 1</p>	<p><b>16</b></p> <p></p>	<p><b>17</b></p> <p></p>
<p><b>18</b></p> <p></p>	<p><b>19</b></p> <p></p> <p>Total no. = 1</p>				

\* The spare part is included in the package but is not used for PMC 1 or PMC 3..

Data sheet – Spare parts and accessories

Overhaul kit | Code number 027F0755  
PMC, size 12

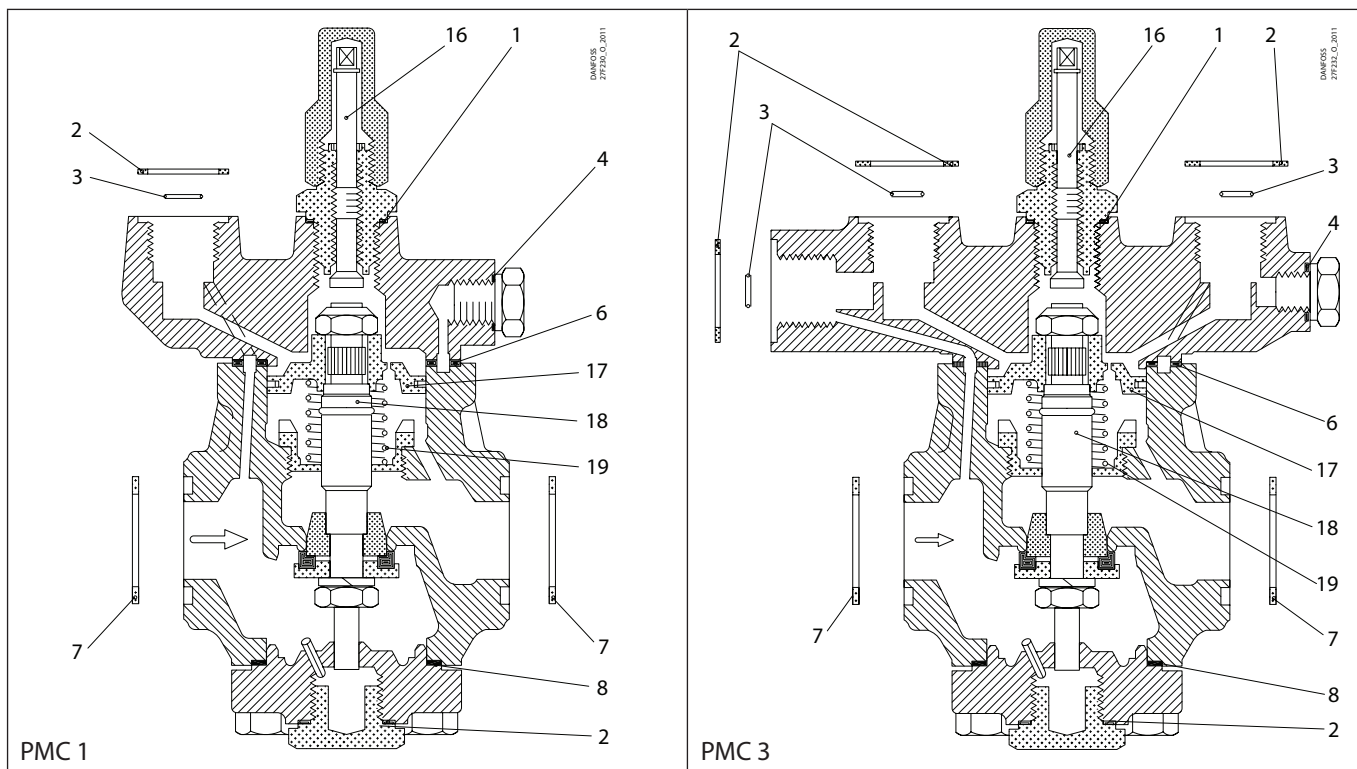


<p><b>1</b></p> <p> = Alu.</p> <p> <p>Total no. = 1</p> </p>	<p><b>2</b></p> <p> = Fibre</p> <p> <p>Total no. = 4</p> </p>	<p><b>3</b></p> <p> = Alu.</p> <p> <p>Total no. = 3</p> </p>	<p><b>4</b></p> <p> = Alu.</p> <p> <p>Total no. = 1</p> </p>	<p><b>5*</b></p> <p> = Alu.</p> <p> <p>Total no. = 1</p> </p>	<p><b>6</b></p> <p> = Fibre</p> <p> <p>Total no. = 1</p> </p>
<p><b>7</b></p> <p> = Fibre</p> <p> <p>Total no. = 2</p> </p>	<p><b>8</b></p> <p> = Fibre</p> <p> <p>Total no. = 1</p> </p>	<p><b>9*</b></p> <p> = Alu.</p> <p> <p>Total no. = 1</p> </p>	<p><b>10*</b></p> <p> = Alu.</p> <p> <p>Total no. = 1</p> </p>	<p><b>16</b></p> <p></p>	<p><b>17</b></p> <p></p> <p>Ø50 mm Ø1.97"</p>
<p><b>18</b></p> <p></p> <p>Ø26 mm Ø1.02"</p>	<p><b>19</b></p> <p></p> <p>Ø26 mm Ø1.04"</p> <p>Total no. = 1</p>				

\* The spare part is included in the package but is not used for PMC 1 or PMC 3..

Data sheet – Spare parts and accessories

Overhaul kit | Code number 027F0756  
PMC, size 20



<p><b>1</b></p> <p>Alu.</p> <p>Total no. = 1</p>	<p><b>2</b></p> <p>Fibre</p> <p>Total no. = 4</p>	<p><b>3</b></p> <p>Total no. = 3</p>	<p><b>4</b></p> <p>Alu.</p> <p>Total no. = 1</p>	<p><b>5*</b></p> <p>Alu.</p> <p>Total no. = 1</p>	<p><b>6</b></p> <p>Fibre</p> <p>Total no. = 1</p>
<p><b>7</b></p> <p>Fibre</p> <p>Total no. = 2</p>	<p><b>8</b></p> <p>Fibre</p> <p>Total no. = 1</p>	<p><b>9*</b></p> <p>Alu.</p> <p>Total no. = 1</p>	<p><b>10*</b></p> <p>Alu.</p> <p>Total no. = 1</p>	<p><b>16</b></p>	<p><b>17</b></p>
<p><b>18</b></p>	<p><b>19</b></p> <p>Total no. = 1</p>				

\* The spare part is included in the package but is not used for PMC 1 or PMC 3..



## Data sheet – Spare parts and accessories

### Accessories

#### ICV PM flanged valve housings

ICV PM flanged valve housings can replace the PM valves on already installed refrigeration systems.

#### Pressure range

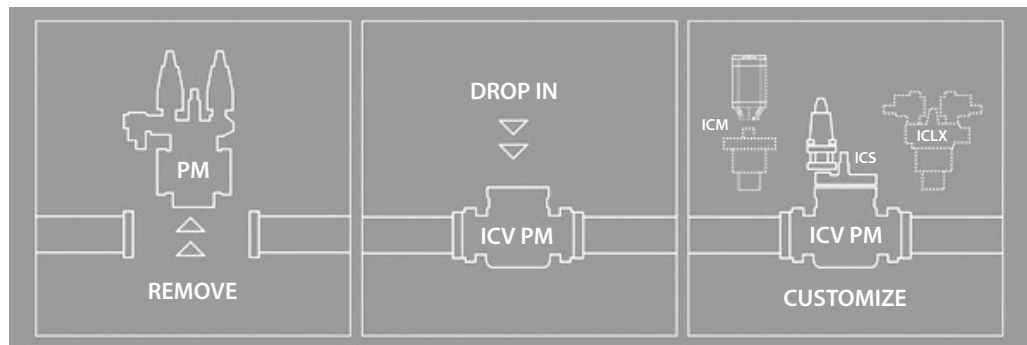
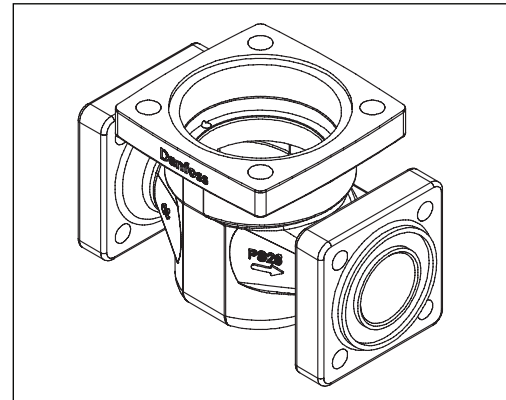
The ICV PM valve housing is designed for a max. working pressure of 28 bar g (406 psig) and therefore a suitable replacement for PM valves in the service market. They also offer the same drop-in dimensions as the PM valves.

Description	Code no.
ICV 25 PM Valve housing	<b>027H2119</b> *)
ICV 32 PM Valve housing	<b>027H3129</b> *)
ICV 40 PM Valve housing	<b>027H4128</b> *)
ICV 50 PM Valve housing	<b>027H5127</b> **)
ICV 65 PM Valve housing	<b>027H6128</b> **)

\*) Includes ICV PM valve housing, flange gaskets and flange bolts.

\*\*) Includes ICV PM valve housing, flange gaskets, flange bolts and flange nuts.

Function modules and top covers must be ordered separately (see the section "Ordering").



#### ICV (H)A4A flanged valve housings

ICV (H)A4A flanged valve housings can replace the (H)A4A valves on already installed refrigeration systems.

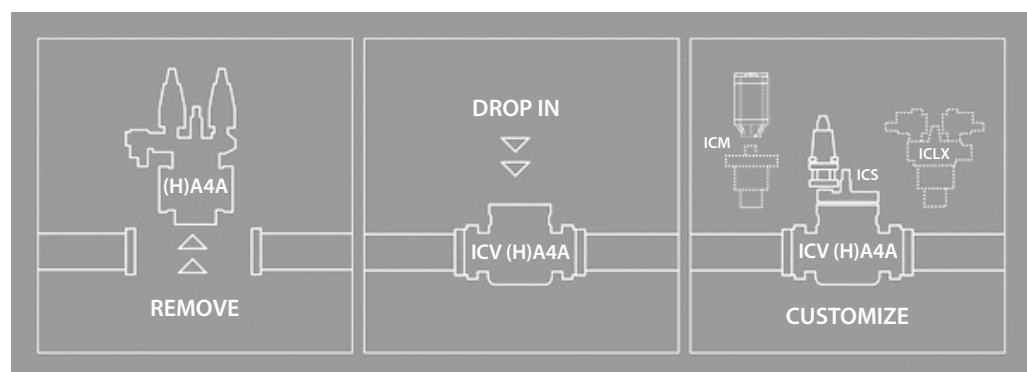
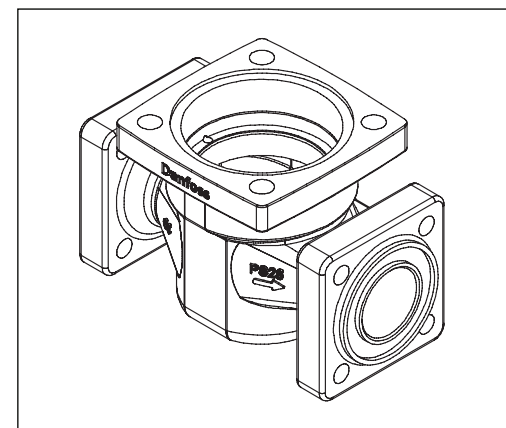
#### Pressure range

The ICV (H)A4A valve housing is designed for a max. working pressure of 28 bar g (406 psig) and therefore a suitable replacement for (H)A4A valves in the service market. They also offer the same drop-in dimensions as the (H)A4A valves.

Description	Code no.
ICV 25 (H)A4A Valve housing	<b>027H2304</b> *)
ICV 32 A4A Valve housing	<b>027H3130</b> *)
ICV 32 HA4A Valve housing	<b>027H3131</b> *)
ICV 40 (H)A4A Valve housing	<b>027H4129</b> *)
ICV 50 (H)A4A Valve housing	<b>027H5128</b> *)
ICV 65 (H)A4A Valve housing	<b>027H6129</b> *)

\*) Includes ICV (H)A4A valve housing, flange gaskets, flange bolts and flange nuts.

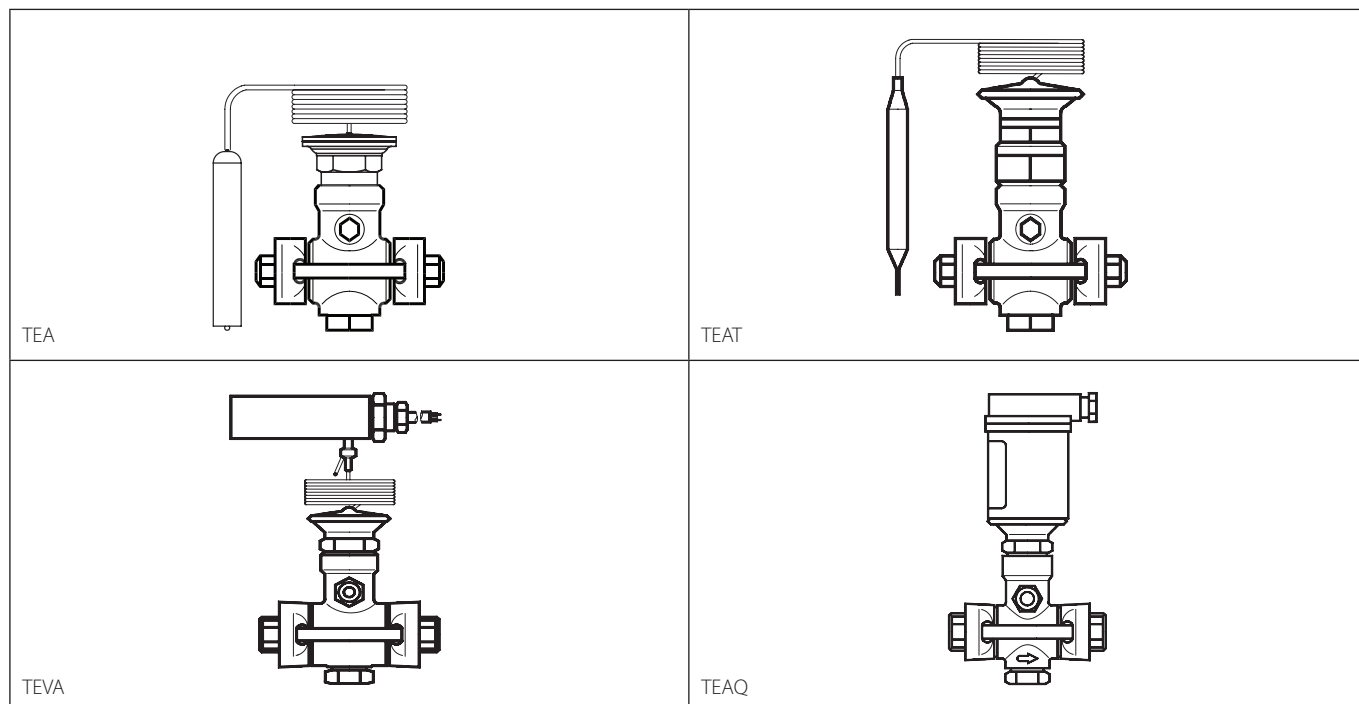
Function modules and top covers must be ordered separately (see the section "Ordering").





Data sheet – Spare parts and accessories

**Expansion valves,  
TEA, TEAT, TEVA and TEAQ, size 20 and 85**



Valve type	Size	See details on page #	Code no.
<b>Inspection kits</b>			
TEA, TEAT, TEVA, TEAQ	All	272	<b>068G0064</b>
<b>Repair kits, orifice</b>			
TEA, TEAT, TEVA, TEAQ	20 - 1	273	<b>068G2050</b>
	20 - 2	273	<b>068G2051</b>
	20 - 3	273	<b>068G2052</b>
	20 - 5	273	<b>068G2053</b>
	20 - 8	273	<b>068G2054</b>
	20 - 12	273	<b>068G2055</b>
	20 - 20	273	<b>068G2056</b>
	85 - 33	273	<b>068G2057</b>
	85 - 55	273	<b>068G2058</b>
85 - 85	273	<b>068G2059</b>	

Valve type	Size	Temperature setting	See details on page #	Code no.
<b>Repair kits, element</b>				
TEA	All	-50°C / 0°C	274	<b>068G3250</b>
	All	-20°C / +30°C	274	<b>068G3252</b>
TEAT	All	+35°C / +65°C	274	<b>068G3262</b>
	All	+55°C / +95°C	274	<b>068G3260</b>
	All	+90°C / +130°C	274	<b>068G3261</b>

Valve type	Size	Description	See details on page #	Code no.
<b>Repair kits, element</b>				
TEVA	All	Thermostatic element without electric heating element	274	<b>068G3255</b>
	All	Electric heating element only	274	<b>068G0037</b>

**No overhaul kit available.**

For ordering new valves please see the Danfoss website.  
TEAQ is out of production and cannot be ordered anymore.

**Inspection kits:**

Contains all gaskets, O-rings and sealings belonging to 1 valve size.  
For detailed content, see specific pages mentioned above.

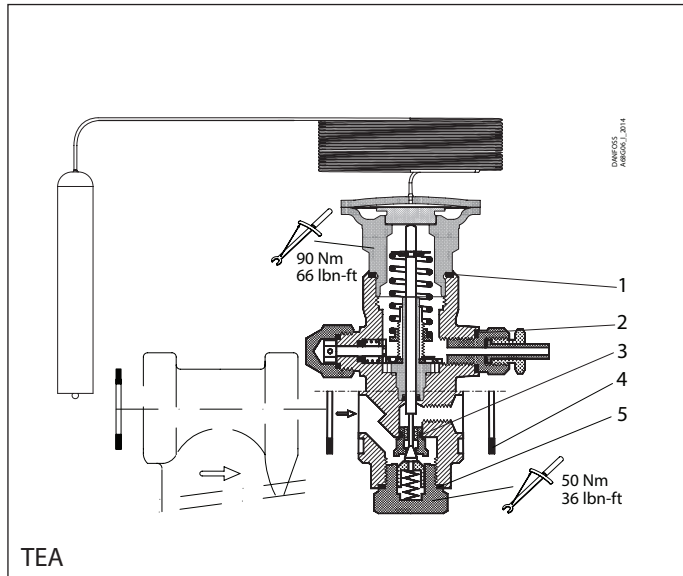
**Repair kits, orifice:**

Repair kit orifice contains all gaskets, O-rings, sealings and one orifice belonging to one valve size.  
For detailed content, see specific pages mentioned above.

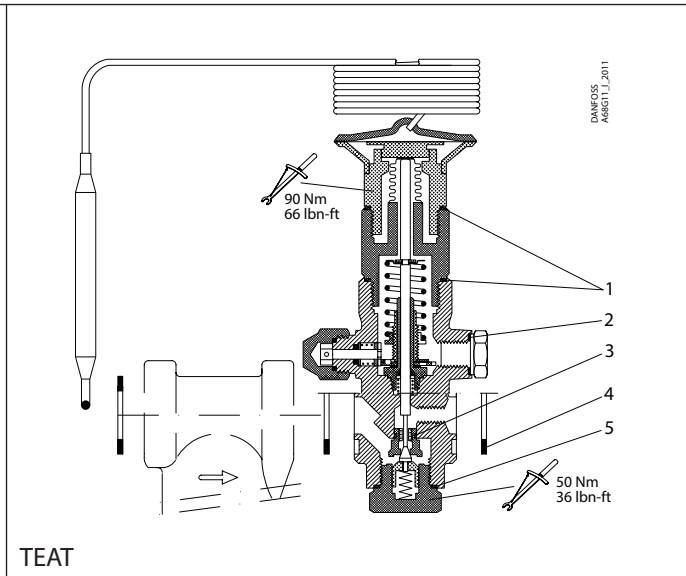
**Repair kits, element:**

Repair kit element contains all gaskets, O-rings, sealings and one element belonging to one valve size.  
For detailed content, see specific pages mentioned above.

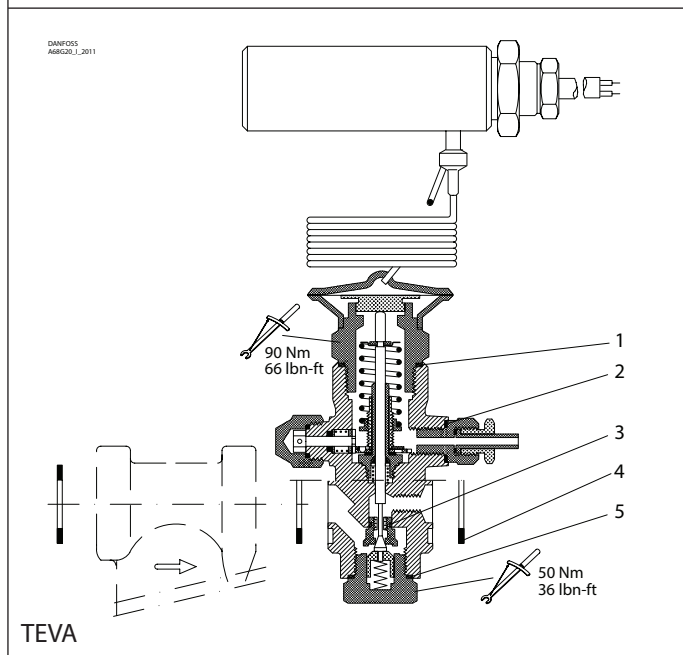
Data sheet – Spare parts and accessories  
**Inspection kit | Code number 068G0064**  
**TEA, TEAT, TEVA and TEAQ, Size 20 and 85**



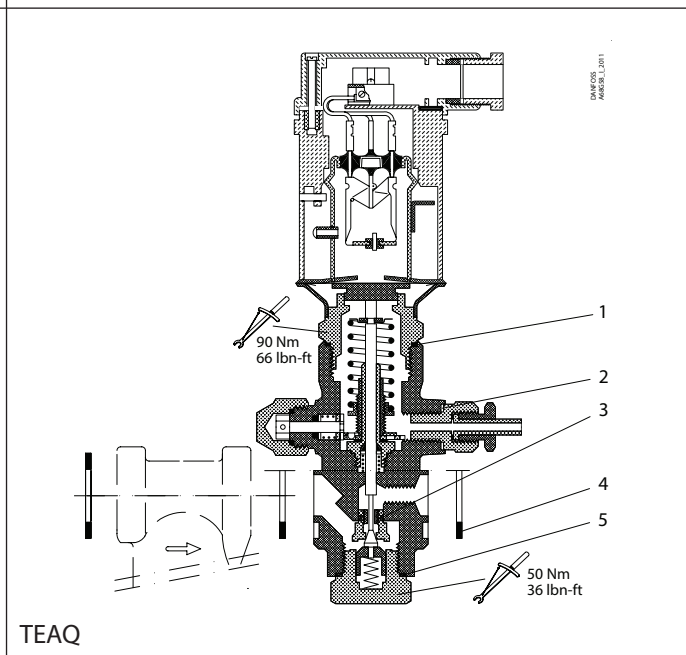
TEA



TEAT



TEVA

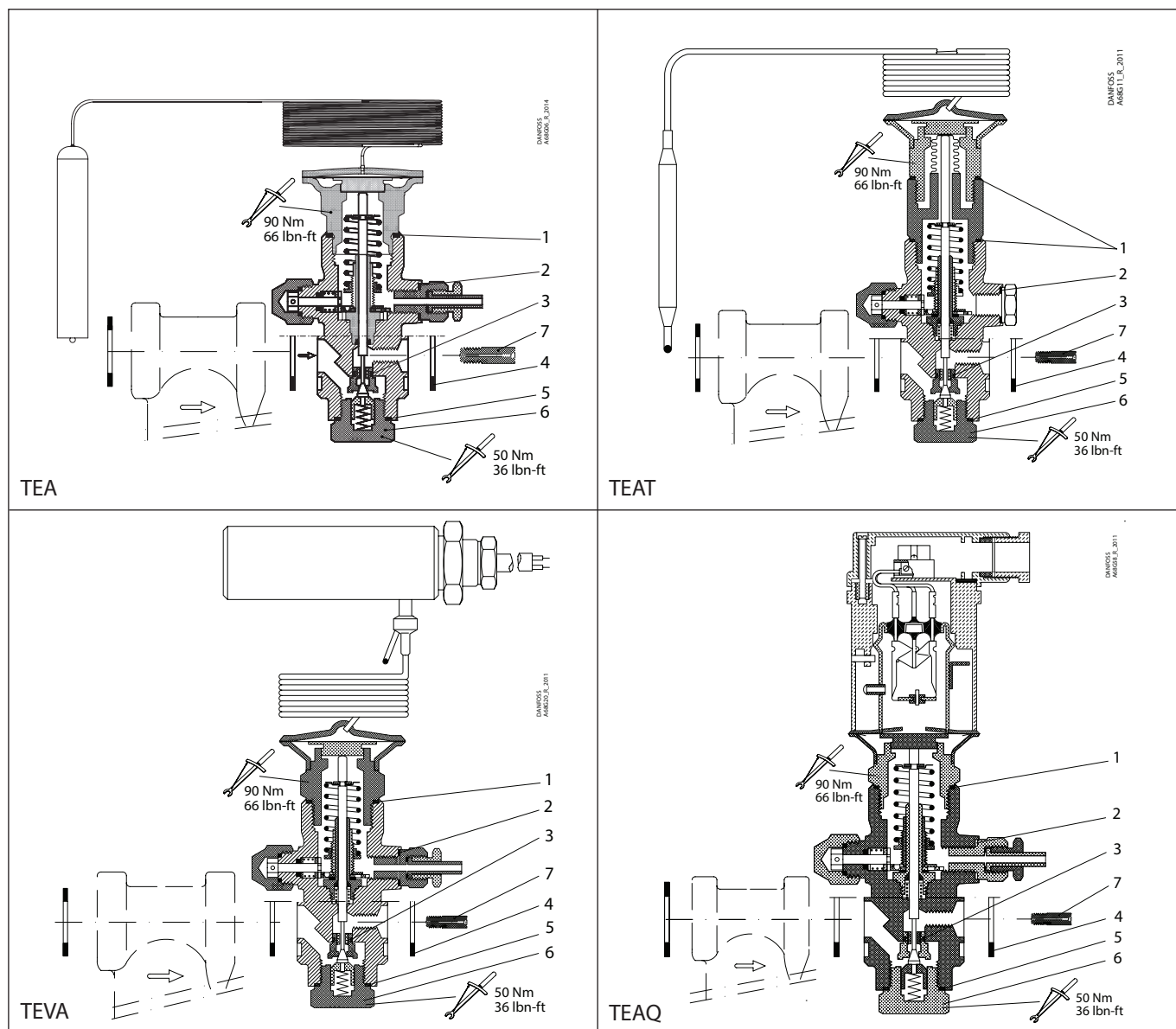


TEAQ

<p><b>1</b></p> <p>— = Alu.</p> <p>Total no. = 2</p>	<p><b>2</b></p> <p>— = Alu.</p> <p>Total no. = 1</p>	<p><b>3 (size 20)</b></p> <p>Total no. = 1</p>	<p><b>3 (size 85)</b></p> <p>Total no. = 1</p>
<p><b>4 (size 20)</b></p> <p>— = Fibre</p> <p>Total no. = 3</p>	<p><b>4 (size 85)</b></p> <p>— = Fibre</p> <p>Total no. = 3</p>	<p><b>5</b></p> <p>— = Alu.</p> <p>Total no. = 1</p>	

Data sheet – Spare parts and accessories

Repair kit, orifice | Code numbers: 068G2050 / 068G2051 / 068G2052 / 068G2053 / 068G2054 / 068G2055 / 068G2056 / 068G2057 / 068G2058 / 068G2059  
TEA, TEAT, TEVA and TEAQ, Size 20 and 85

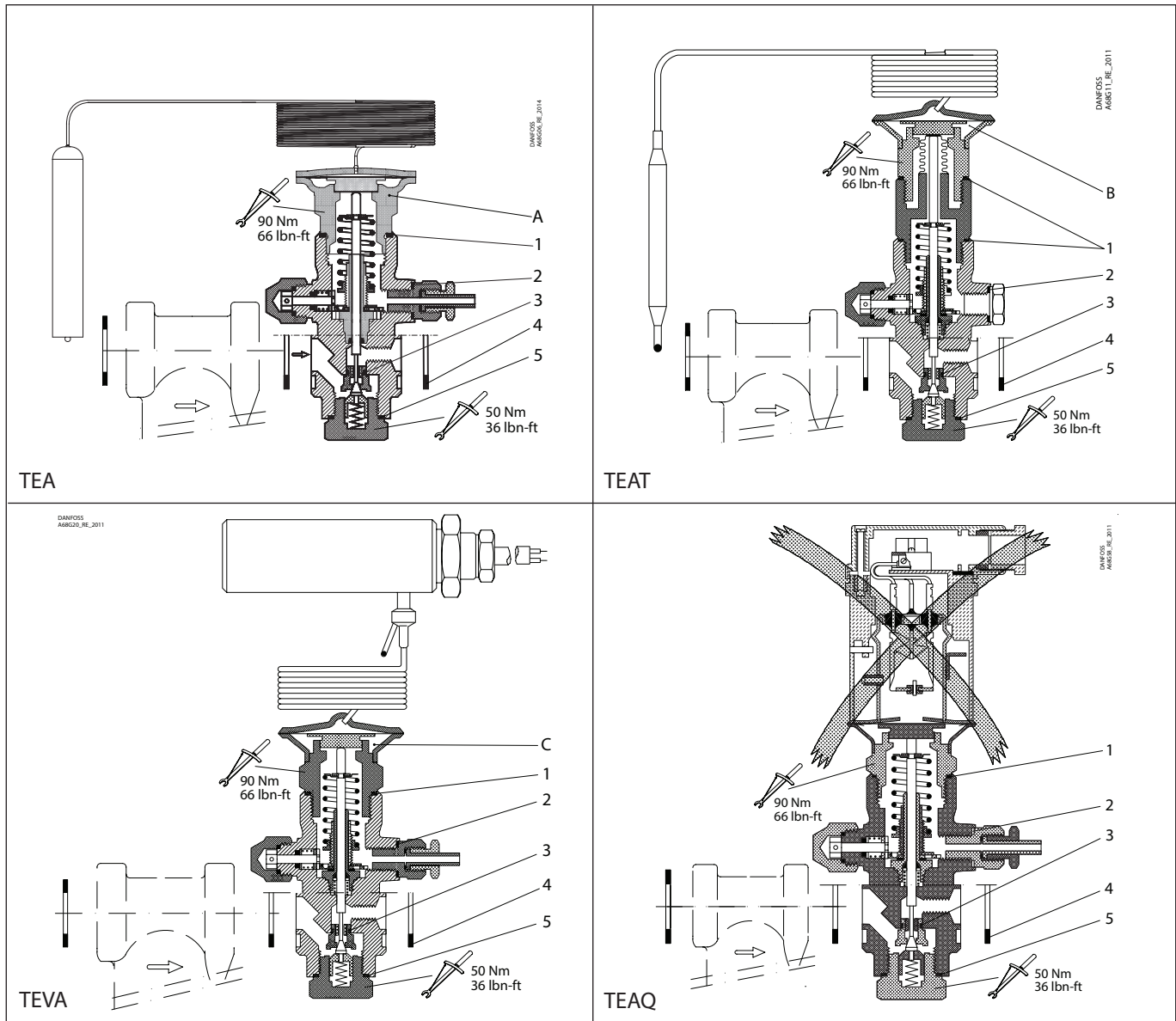


<p><b>1</b></p> <p>▨ = Alu.</p> <p>Total no. = 2</p>	<p><b>2</b></p> <p>▨ = Alu.</p> <p>Total no. = 1</p>	<p><b>3 (size 20)</b></p> <p>Total no. = 1</p>	<p><b>3 (size 85)</b></p> <p>Total no. = 1</p>	<p><b>4 (size 20)</b></p> <p>▨ = Fibre</p> <p>Total no. = 3</p>
<p><b>4 (size 85)</b></p> <p>▨ = Fibre</p> <p>Total no. = 3</p>	<p><b>5</b></p> <p>▨ = Alu.</p> <p>Total no. = 1</p>	<p><b>6</b></p> <p>Total no. = 1</p>	<p><b>7</b></p> <p>Included in the repair kit <b>068G2050</b> only</p> <p>Total no. = 1</p>	

Data sheet – Spare parts and accessories

Repair kit, element | Code numbers: 068G3250 / 068G3252 / 068G3260 / 068G3261 / 068G3262 / 068G3255

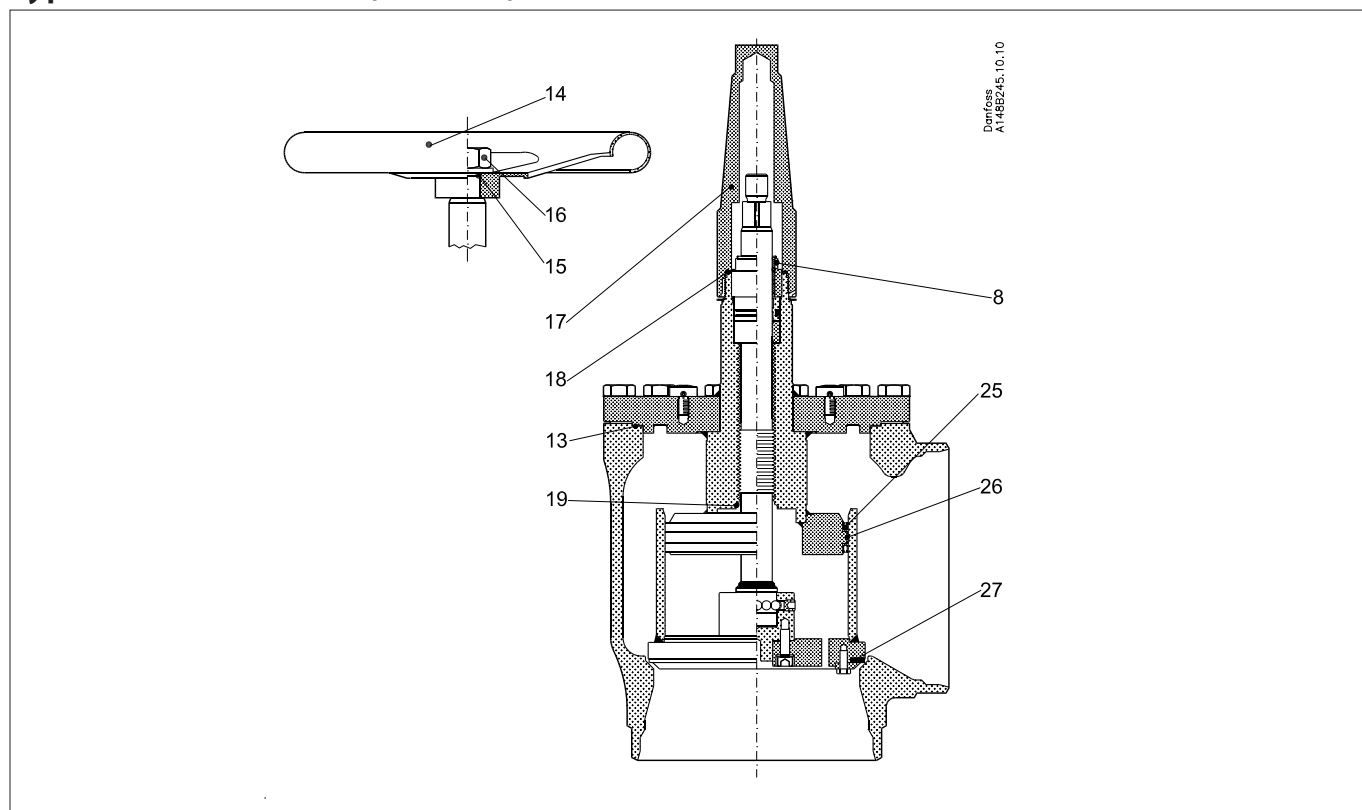
TEA, TEAT, TEVA and TEAQ, Size 20 and 85



<p><b>1</b></p> <p> = Alu.</p> <p></p> <p>Total no. = 2</p>	<p><b>2</b></p> <p> = Alu.</p> <p></p> <p>Total no. = 1</p>	<p><b>3 (size 20)</b></p> <p></p> <p>Total no. = 1</p>	<p><b>3 (size 85)</b></p> <p></p> <p>Total no. = 1</p>	<p><b>4 (size 20)</b></p> <p> = Fibre</p> <p></p> <p>Total no. = 3</p>	<p><b>4 (size 85)</b></p> <p> = Fibre</p> <p></p> <p>Total no. = 3</p>
<p><b>5</b></p> <p> = Alu.</p> <p></p> <p>Total no. = 1</p>	<p><b>6</b></p> <p>1 of A or 1 of B or 1 of C</p>	<p><b>Bulb strap</b></p> <p></p> <p>Total no. = 1</p>			

Data sheet – Spare parts and accessories

**Shut-off valve**  
**Type SVA-DH 250-300 (10-12 in.)**



Description	Pos. #	Qty.	Size	Code no.
-------------	--------	------	------	----------

**Spare part kit, for bonnet and cap**

Gasket for bonnet	13	1	DN 250 (10 in.)	<b>148B4162</b>
Gasket	18	1	DN 250 (10 in.)	
Gasket for backseat	19	1	DN 250 (10 in.)	
Gasket for bonnet	13	1	DN 300 (12 in.)	<b>148B4163</b>
Gasket	18	1	DN 300 (12 in.)	
Gasket for backseat	19	1	DN 300 (12 in.)	

**Spare part kit for cone**

Gasket for cone (u-sleeve)	25	1	DN 250 (10 in.)	<b>148B4164</b>
Wear ring for cone	26	1	DN 250 (10 in.)	
Gasket for cone (valve seat)	27	1	DN 250 (10 in.)	
Gasket for cone (u-sleeve)	25	1	DN 300 (12 in.)	<b>148B4165</b>
Wear ring for cone	26	1	DN 300 (12 in.)	
Gasket for cone (valve seat)	27	1	DN 300 (12 in.)	

**Packing gland (complete)**

Packing gland complete	8	1	DN 250 (10 in.)	<b>148B4166</b>
Packing gland complete	8	1	DN 300 (10 in.)	

**Complete repair kit**

Packing gland complete	8	1	DN 250 (10 in.)	<b>148B4167</b>
Gasket for bonnet	13	1	DN 250 (10 in.)	
Gasket	18	1	DN 250 (10 in.)	
Gasket for backseat	19	1	DN 250 (10 in.)	
Gasket for cone (u-sleeve)	25	1	DN 250 (10 in.)	
Wear ring for cone	26	1	DN 250 (10 in.)	
Gasket for cone (valve seat)	27	1	DN 250 (10 in.)	

Description	Pos. #	Qty.	Size	Code no.
-------------	--------	------	------	----------

**Complete repair kit**

Packing gland complete	8	1	DN 300 (12 in.)	<b>148B4168</b>
Gasket for bonnet	13	1	DN 300 (12 in.)	
Gasket	18	1	DN 300 (12 in.)	
Gasket for backseat	19	1	DN 300 (12 in.)	
Gasket for cone (u-sleeve)	25	1	DN 300 (12 in.)	
Wear ring for cone	26	1	DN 300 (12 in.)	
Gasket for cone (valve seat)	27	1	DN 300 (12 in.)	

**Handwheel incl. nut and washer**

Handwheel	14	1	DN 250 (10 in.)	<b>148B4169</b>
Washer	15	1	DN 250 (10 in.)	
Nut	16	1	DN 250 (10 in.)	
Handwheel	15	1	DN 300 (12 in.)	<b>148B4170</b>
Washer	15	1	DN 300 (12 in.)	
Nut	16	1	DN 300 (12 in.)	

**Cap incl. Gasket**

Cap	17	1	DN 250 (10 in.)	<b>148B4171</b>
Gasket	18	1	DN 250 (10 in.)	
Cap	17	1	DN 300 (12 in.)	
Gasket	18	1	DN 300 (12 in.)	

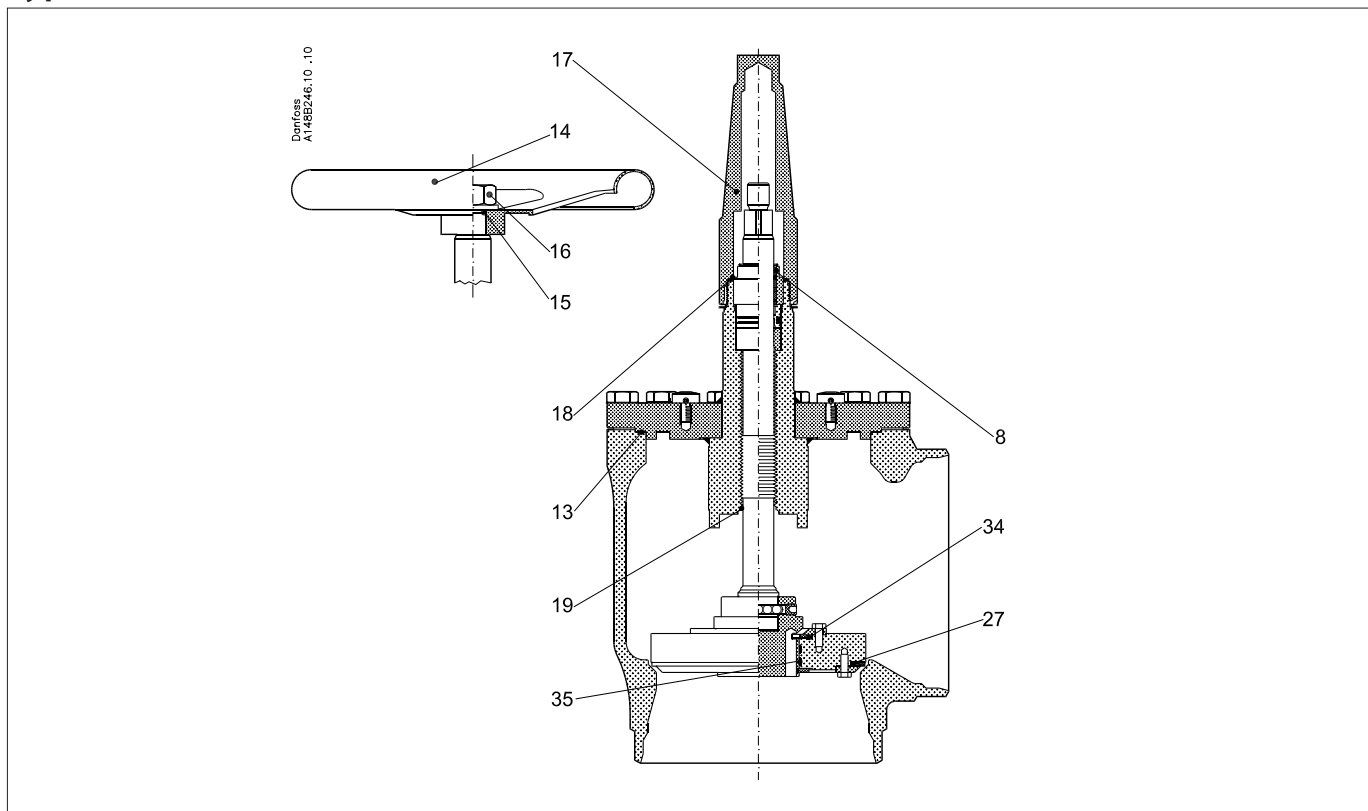
**Grease for packing gland (tube)**

Grease for packing gland (tube)	-	1	DN 250 (10 in.)	<b>148H3445</b>
Grease for packing gland (tube)	-	1	DN 300 (12 in.)	

Data sheet – Spare parts and accessories

**Shut-off valve**

**Type SVA-DL 250-300 (10-12 in.)**



Description	Pos. #	Qty.	Size	Code no.
-------------	--------	------	------	----------

**Spare part kit, for bonnet and cap**

Gasket for bonnet	13	1	DN 250 (10 in.)	<b>148B4162</b>
Cap + gasket	18	1	DN 250 (10 in.)	
Gasket for backseat	19	1	DN 250 (10 in.)	
Gasket for bonnet	13	1	DN 300 (12 in.)	<b>148B4163</b>
Cap + gasket	18	1	DN 300 (12 in.)	
Gasket for backseat	19	1	DN 300 (12 in.)	

**Spare part kit for cone**

Gasket for cone (valve seat)	27	1	DN 250 (10 in.)	<b>148B4173</b>
Gasket for cone (insert)	34	1	DN 250 (10 in.)	
Wear ring for cone (insert)	35	1	DN 250 (10 in.)	
Gasket for cone (valve seat)	27	1	DN 300 (12 in.)	<b>148B4174</b>
Gasket for cone (insert)	34	1	DN 300 (12 in.)	
Wear ring for cone (insert)	35	1	DN 300 (12 in.)	

**Packing gland (complete)**

Packing gland complete	8	1	DN 250 (10 in.)	<b>148B4166</b>
Packing gland complete	8	1	DN 300 (10 in.)	

**Complete repair kit**

Packing gland complete	8	1	DN 250 (10 in.)	<b>148B4175</b>
Gasket for bonnet	13	1	DN 250 (10 in.)	
Cap + gasket	18	1	DN 250 (10 in.)	
Gasket for backseat	19	1	DN 250 (10 in.)	
Gasket for cone (valve seat)	27	1	DN 250 (10 in.)	
Gasket for cone (insert)	34	1	DN 250 (10 in.)	
Wear ring for cone (insert)	35	1	DN 250 (10 in.)	

Description	Pos. #	Qty.	Size	Code no.
-------------	--------	------	------	----------

**Complete repair kit**

Packing gland complete	8	1	DN 300 (12 in.)	<b>148B4176</b>
Gasket for bonnet	13	1	DN 300 (12 in.)	
Cap + gasket	18	1	DN 300 (12 in.)	
Gasket for backseat	19	1	DN 300 (12 in.)	
Gasket for cone (valve seat)	27	1	DN 300 (12 in.)	
Gasket for cone (insert)	34	1	DN 300 (12 in.)	
Wear ring for cone (insert)	35	1	DN 300 (12 in.)	

**Handwheel incl. nut and washer**

Handwheel	14	1	DN 250 (10 in.)	<b>148B4169</b>
Washer	15	1	DN 250 (10 in.)	
Nut	16	1	DN 250 (10 in.)	
Handwheel	15	1	DN 300 (12 in.)	<b>148B4170</b>
Washer	15	1	DN 300 (12 in.)	
Nut	16	1	DN 300 (12 in.)	

**Cap incl. Gasket**

Cap	17	1	DN 250 (10 in.)	<b>148B4171</b>
Gasket	18	1	DN 250 (10 in.)	
Cap	17	1	DN 300 (12 in.)	
Gasket	18	1	DN 300 (12 in.)	

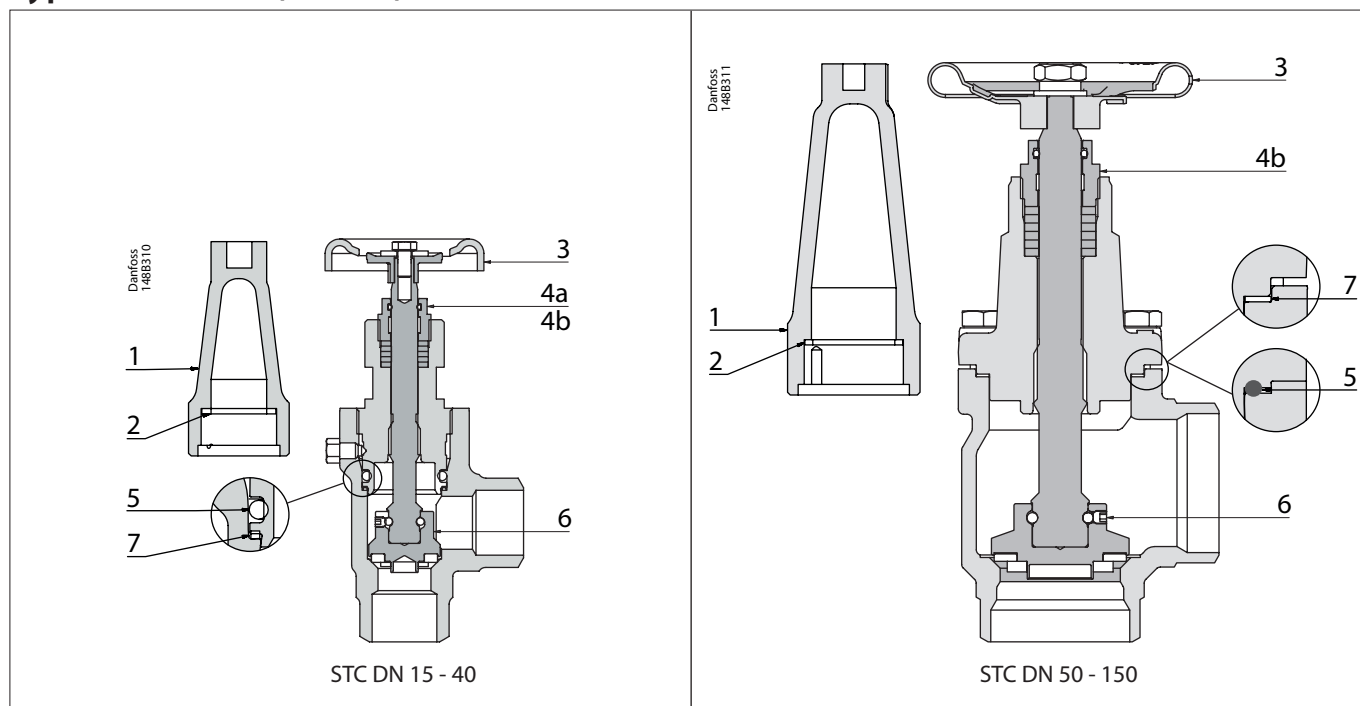
**Grease for packing gland (tube)**

Grease for packing gland (tube)	-	1	DN 250 (10 in.)	<b>148H3445</b>
Grease for packing gland (tube)	-	1	DN 300 (12 in.)	

## Data sheet – Spare parts and accessories

### Shut-off valves

#### Type STC 15-150 (1/2-6 in.)



Size	Description	Pos. #	Qty.	Code no.
<b>Spare part kit, cone</b>				
DN 15-25	O-ring for housing/bonnet	5	1	<b>148B6456</b>
	Cone complete incl. steel balls and allen screw	6	1	
	Gasket for housing/bonnet	7	1	
	Allen key		1	
DN 32-40	O-ring for housing/bonnet	5	1	<b>148B6457</b>
	Cone complete incl. steel balls and allen screw	6	1	
	Gasket for housing/bonnet	7	1	
	Allen key		1	
DN 50	O-ring for housing/bonnet	5	1	<b>148B6469</b>
	Cone complete incl. steel balls and allen screw	6	1	
	Gasket for housing/bonnet	7	1	
	Allen key		1	
DN 65	O-ring for housing/bonnet	5	1	<b>148B6470</b>
	Cone complete incl. steel balls and allen screw	6	1	
	Gasket for housing/bonnet	7	1	
	Allen key		1	
DN 80	O-ring for housing/bonnet	5	1	<b>148B6450</b>
	Cone complete incl. steel balls and allen screw	6	1	
	Gasket for housing/bonnet	7	1	
	Allen key		1	
DN 100	O-ring for housing/bonnet	5	1	<b>148B6451</b>
	Cone complete incl. steel balls and allen screw	6	1	
	Gasket for housing/bonnet	7	1	
	Allen key		1	
DN 125	O-ring for housing/bonnet	5	1	<b>148B6452</b>
	Cone complete incl. steel balls and allen screw	6	1	
	Gasket for housing/bonnet	7	1	
	Allen key		1	
DN 150	O-ring for housing/bonnet	5	1	<b>148B6453</b>
	Cone complete incl. steel balls and allen screw	6	1	
	Gasket for housing/bonnet	7	1	
	Allen key		1	

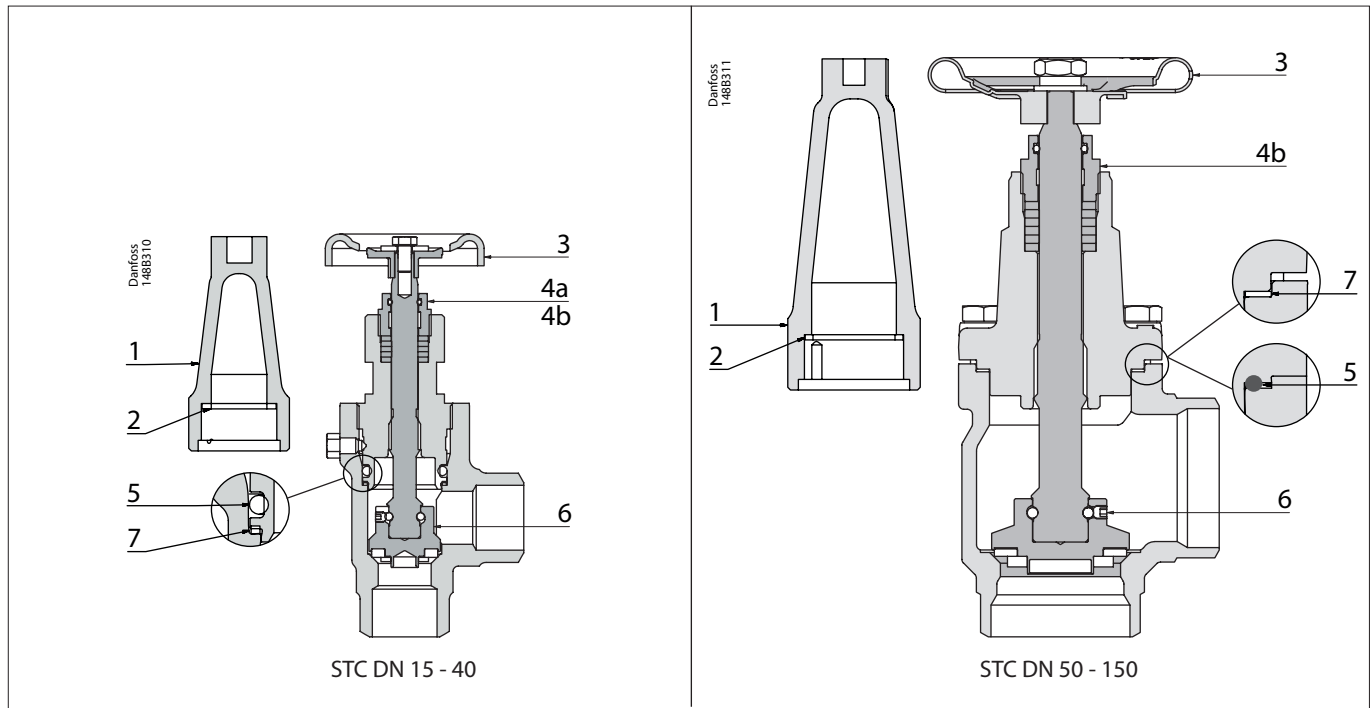
Size	Description	Pos. #	Qty.	Code no.
<b>Spare part kit, for bonnet and cap (dismounting set)</b>				
DN 15-25	O-ring for housing/bonnet	5	1	<b>148B6454</b>
	Gasket for cap	2	1	
	Gasket for housing/bonnet	7	1	
DN 32-40	O-ring for housing/bonnet	5	1	<b>148B6455</b>
	Gasket for cap	2	1	
	Gasket for housing/bonnet	7	1	
DN 50	O-ring for housing/bonnet	5	1	<b>148B6463</b>
	Gasket for cap	2	1	
	Gasket for housing/bonnet	7	1	
DN 65	O-ring for housing/bonnet	5	1	<b>148B6464</b>
	Gasket for cap	2	1	
	Gasket for housing/bonnet	7	1	
DN 80	O-ring for housing/bonnet	5	1	<b>148B6465</b>
	Gasket for cap	2	1	
	Gasket for housing/bonnet	7	1	
DN 100	O-ring for housing/bonnet	5	1	<b>148B6466</b>
	Gasket for cap	2	1	
	Gasket for housing/bonnet	7	1	
DN 125	O-ring for housing/bonnet	5	1	<b>148B6467</b>
	Gasket for cap	2	1	
	Gasket for housing/bonnet	7	1	
DN 150	O-ring for housing/bonnet	5	1	<b>148B6468</b>
	Gasket for cap	2	1	
	Gasket for housing/bonnet	7	1	

#### Packing gland incl. gaskets (with O-rings)

DN 15-25	Packing gland incl.sealings	4a,4b	1	<b>148B6458</b>
DN 32-40	Packing gland incl.sealings	4a,4b	1	<b>148B6459</b>
DN 50-65	Packing gland incl.sealings	4a,4b	1	<b>148B6460</b>
DN 80-100	Packing gland incl.sealings	4a,4b	1	<b>148B6461</b>
DN 125-150	Packing gland incl.sealings	4a,4b	1	<b>148B6462</b>

Data sheet – Spare parts and accessories

**Shut-off valves**  
**Type STC 15-150 (1/2-6 in.)**



Size	Description	Pos. #	Qty.	Code no.
<b>Handwheel incl. screw and washer</b>				
DN 15-25	Handwheel incl. nut and washer	3	1	<b>148B4476</b>
DN 32-40	Handwheel incl. nut and washer	3	1	<b>148B4477</b>
DN 50-65	Handwheel incl. nut and washer	3	1	<b>148B4478</b>
DN 80-100	Handwheel incl. nut and washer	3	1	<b>148B4479</b>
DN 125-150	Handwheel incl. nut and washer	3	1	<b>148B4480</b>

Size	Description	Pos. #	Qty.	Code no.
<b>Cap incl. gasket</b>				
DN 15-25	Cap incl. gasket	1,2	1	<b>148B4447</b>
DN 32-65	Cap incl. gasket	1,2	1	<b>148B4448</b>
DN 80-100	Cap incl. gasket	1,2	1	<b>148B4449</b>
DN 125-150	Cap incl. gasket	1,2	1	<b>148B4450</b>



## Data sheet – Spare parts and accessories

### Gauge valve Type SNV

**1** New versions of SNV valves with groove at the top of the spindle **have back seating.**

Old versions of SNV valves without groove at the top of the spindle **have no back seating.**

SNV 8

**2**

Welding nipple incl. O-ring

---

**3**

Threaded nipple incl. gasket

---

**4**

Blind nut incl. gasket

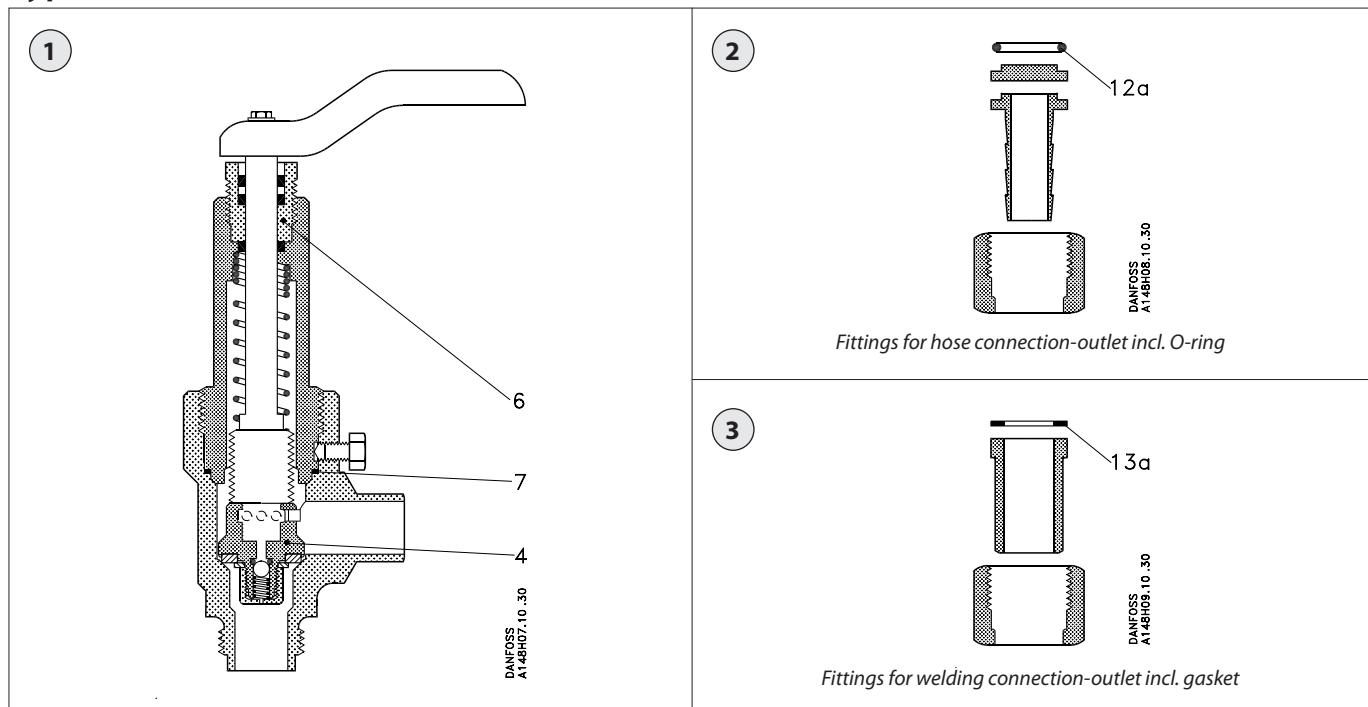
Description	Pos. #	Qty.	Code no.
<b>Cap incl. gasket</b>			
Cap incl. gasket	7	1	148B4074
<b>Grease for packing gland (tube)</b>			
Grease for packing gland (tube)		1	148H3445

\*) **Note:** If further parts are necessary – renew the complete valve.

Description	Pos. #	Qty.	Code no.
<b>Accessories</b>			
Welding nipple type CD-WN-TN-T incl. O-ring, fig. 2		1	2469-008
Threaded nipple type CD-WN-TN-T incl. gasket, fig. 3		1	2469+022
Blind nut type NPT incl. gasket, fig. 4		1	148H3450

Data sheet – Spare parts and accessories

**Shut-off valve  
Type QDV**



Description	Pos. #	Qty.	Code no.
<b>Repair kit, complete set of gaskets</b>			
Cone for complete incl. steel balls and Allen screw	4	1	<b>2453+092*</b>
Gaskets complete for packing gland	6	1	
Gasket for housing/bonnet	7	1	
O-ring hose connection	12a	1	
Gasket for nipple connection Allen key	13a	1	

Description	Pos. #	Qty.	Code no.
<b>Packing gland incl. gaskets (with O-rings)</b>			
Packing gland incl. gaskets	6	1	<b>148B4056*</b>

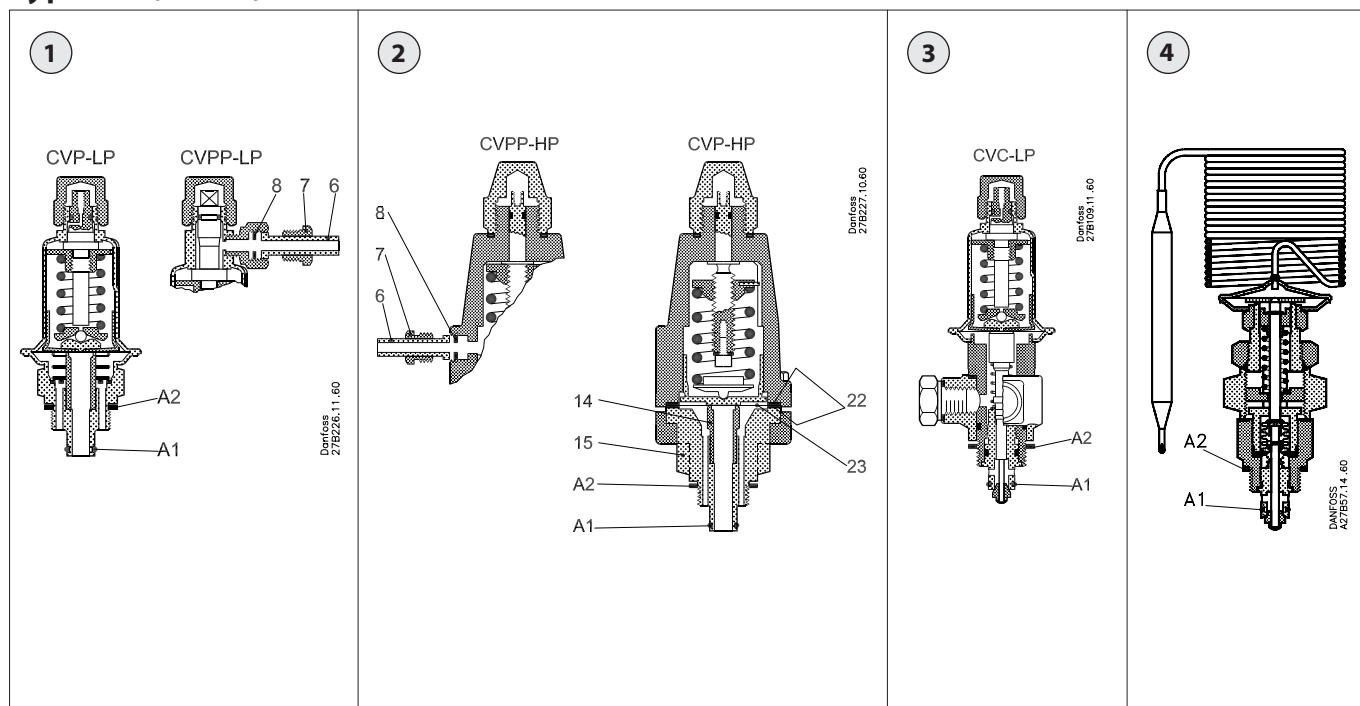
\* Only suitable for QDV valves produced before 5<sup>th</sup> March 2006.

Description	Pos. #	Qty.	Code no.
<b>Grease for packing gland (tube)</b>			
Grease for packing gland (tube)		1	<b>148H3445</b>
<b>Optional extra Fittings for:</b>			
Hose connection-outlet incl. O-ring - G $\frac{3}{8}$ - fig. 2		1	<b>148H3451</b>
Welding connection-outlet incl. gasket - G $\frac{3}{8}$ - fig. 3		1	<b>148H3452</b>

Data sheet – Spare parts and accessories

Pilot valves

Type CVP, CVPP, CVC and CVT

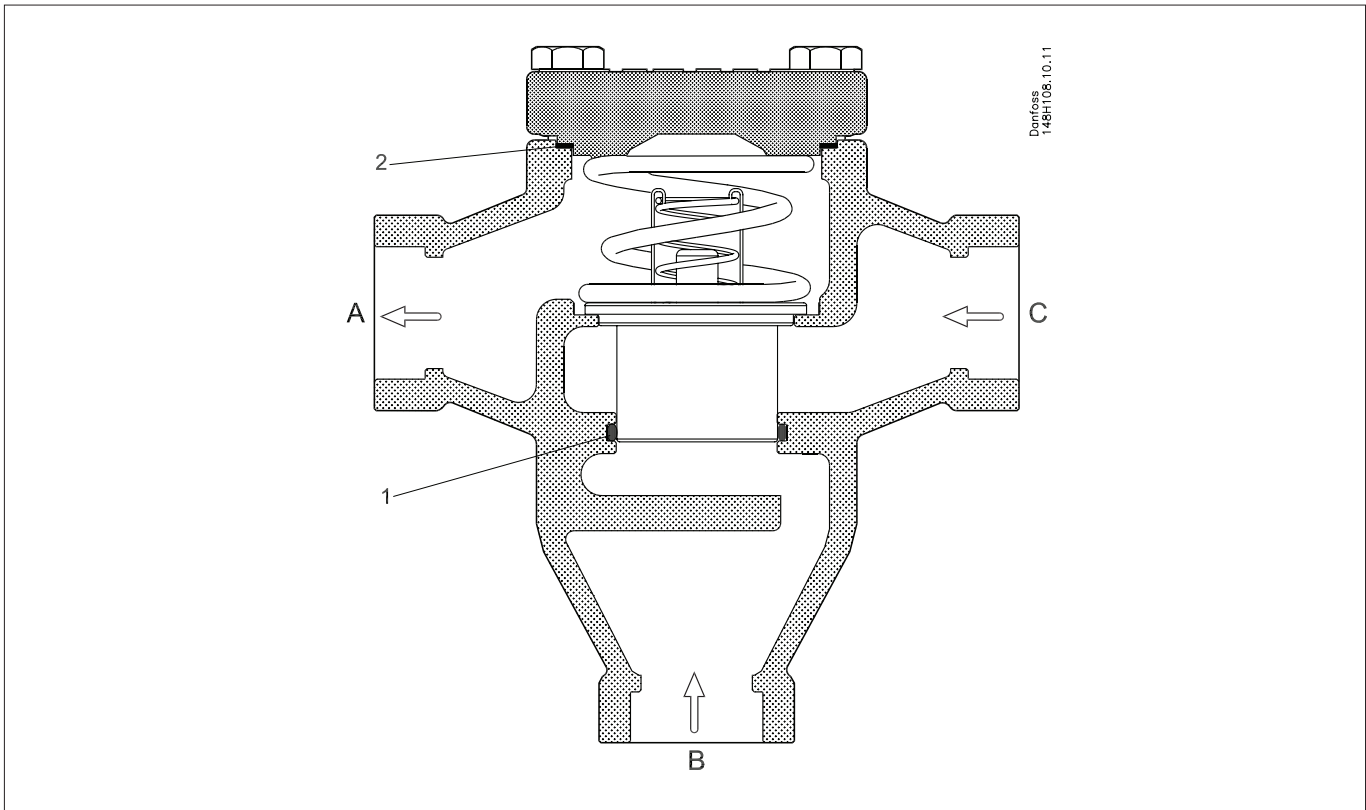


Description	Pos. #	Qty.	Code no.
<b>CVP (LP) (low pressure), pressure controlled, fig. 1</b>			
Seal kit:			
O-ring	A1	1	027F0666
Gasket	A2	1	
<b>CVPP (LP) (low pressure), differential pressure, controlled, fig. 1</b>			
Seal kit:			
O-ring	A1	1	027F0666
Gasket	A2	1	
Connection kit:			
Nipple	6	1	027B0120
Connector	7	1	
Alu gasket	8	1	
<b>CVP (HP) (high pressure), pressure controlled, fig. 2</b>			
Seal kit:			
O-ring	A1	1	027F0666
Gasket	A2	1	
Repair kit:			
Orifice	14	1	027B0164
Body	15	1	
Gasket	22	2	
Diaphragm	23	2	

Description	Pos. #	Qty.	Code no.
<b>CVPP (HP) (high pressure), differential pressure controlled, fig. 2</b>			
Seal kit:			
O-ring	A1	1	027F0666
Gasket	A2	1	
Connection kit:			
Nipple	6	1	027B0120
Connector	7	1	
Alu gasket	8	1	
<b>CVC-LP, pressure controlled with signal connector, fig. 3</b>			
Seal kit:			
O-ring	A1	1	027F0666
Gasket	A2	1	
<b>CVT, temperature controlled, fig. 4</b>			
Seal kit:			
O-ring	A1	1	027F0666
Gasket	A2	1	

Data sheet – Spare parts and accessories

Temperature regulating valve  
Type ORV



Description	Pos. #	Qty.	Code no.
-------------	--------	------	----------

Dismounting kit, ORV 25 and ORV 40 valve house H1			
Guide ring	1	1	148H3246
Gasket	2	1	

Dismounting kit, ORV 40 and ORV 50 valve house H2			
Guide ring	1	1	148H3247
Gasket	2	1	

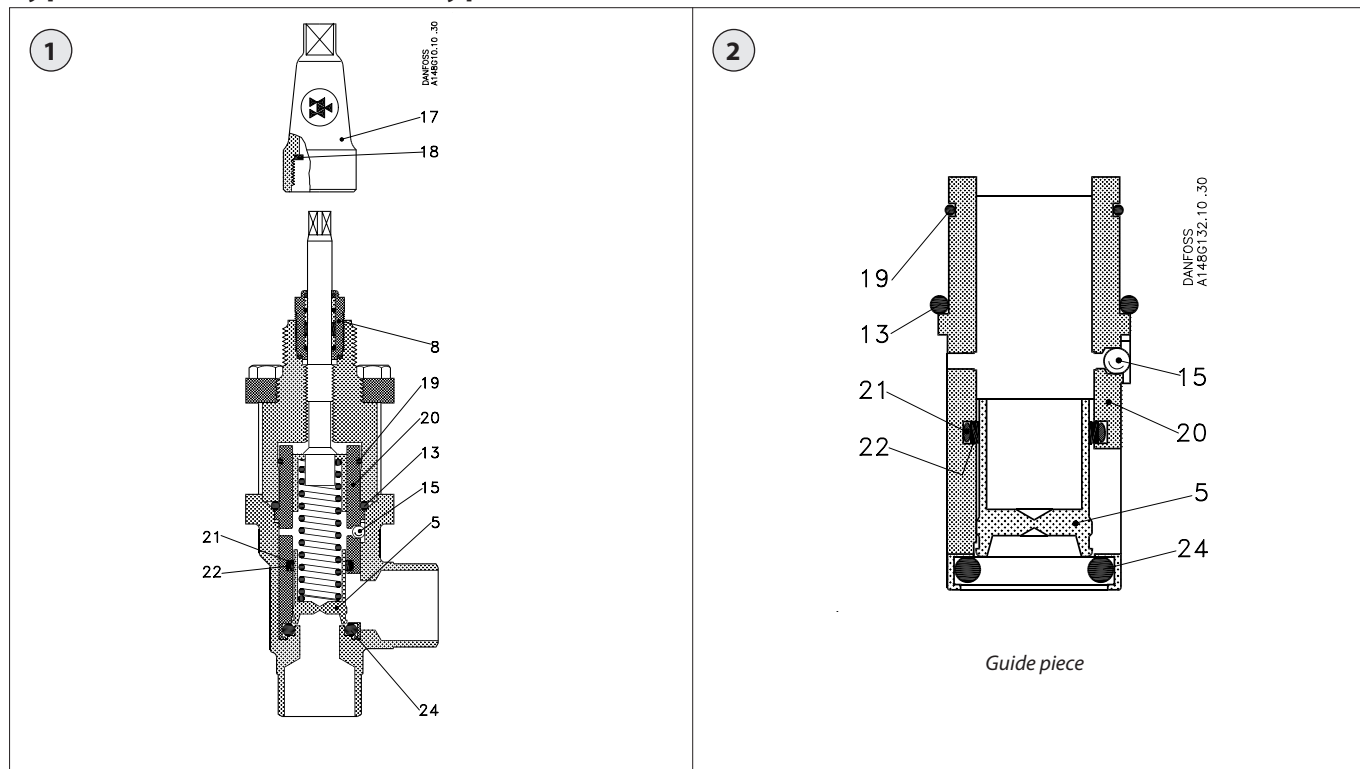
\* Including two guide rings and one gasket.

Description	Pos. #	Qty.	Code no.
-------------	--------	------	----------

Dismounting kit, ORV 65 and ORV 80 valve house H3			
Guide ring	1	1	148H3248*
Gasket	2	1	

Data sheet – Spare parts and accessories

**Pressure regulating valve**  
**Type OFV 20-25 (3/4 - 1 in.) type 133**



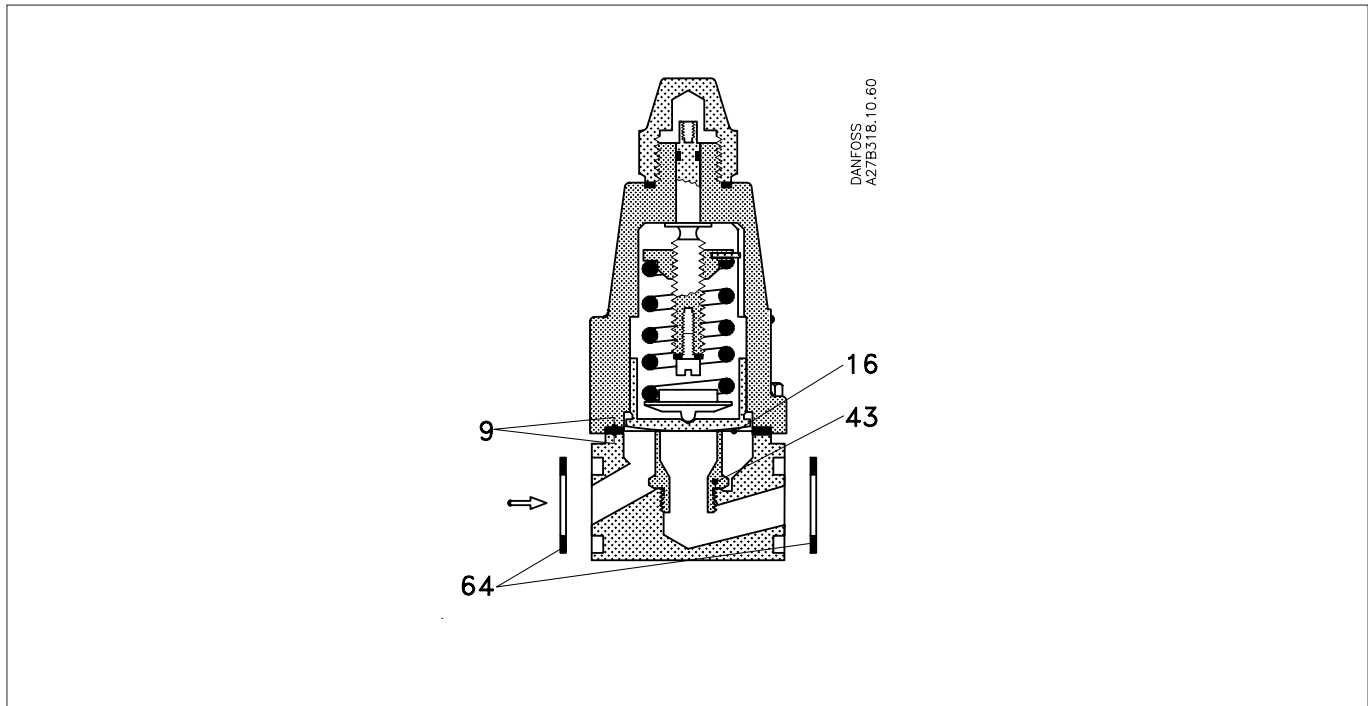
Description	Pos. #	Qty.	Size	Code no.
<b>Repair kit, set of gaskets</b>				
Gaskets complete for packing gland	8a	1	20 (3/4 in.)	2453+093
O-ring for housing/bonnet	13	1		
Gasket for cap	18	1		
O-ring	19	1		
O-ring (Excl. 21-22)	24	1		
Gaskets complete for packing gland	8a	1	25 (1 in.)	
O-ring for housing/bonnet	13	1		
Gasket for cap	18	1		
O-ring	19	1		
O-ring (Excl. 21-22)	24	1		

<b>Repair kit, guide piece incl. cone and complete set of gaskets</b>				
Cone complete	5	1	20 (3/4 in.)	2433+107
Gaskets complete for packing gland	8a	1		
O-ring for housing/bonnet	13	1		
Steel ball	15	1		
Gasket for cap	18	1		
O-ring	19	1		
Guide piece	20	1		
O-ring	21	1		
Sealing ring	22	1		
O-ring	24	1		
Cone complete	5	1	25 (1 in.)	2433+108
Gaskets complete for packing gland	8a	1		
O-ring for housing/bonnet	13	1		
Steel ball	15	1		
Gasket for cap	18	1		
O-ring	19	1		
Guide piece	20	1		
O-ring	21	1		
Sealing ring	22	1		
O-ring	24	1		

Description	Pos. #	Qty.	Size	Code no.
<b>Packing gland incl. gaskets (with O-rings)</b>				
Packing gland incl. gaskets	8	1	20 (3/4 in.)	148B4056
Packing gland incl. gaskets	8	1	25 (1 in.)	
<b>Cap incl. gasket</b>				
Cap incl. gasket	17	1	20 (3/4 in.)	148B4075
Cap incl. gasket	17	1	25 (1 in.)	
<b>Grease for packing gland (tube)</b>				
Grease for packing gland (tube)	-	1	20 (3/4 in.)	148H3445
Grease for packing gland (tube)	-	1	25 (1 in.)	

Data sheet – Spare parts and accessories

**Constant pressure valve  
Type CVMD**



Description	Pos. #	Qty.	Code no.
<b>Repair kit</b>			
Gasket	9	2	027B0161
Diaphragm	16	2	
Orifice	43	1	
<b>Flange gaskets</b>			
Gasket	64	2	020-2133

Data sheet – Spare parts and accessories

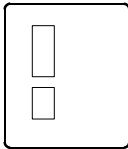
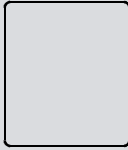





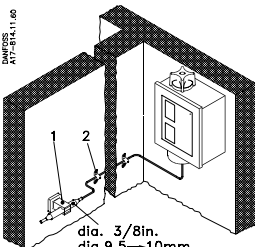
Pressure controls  
Type RT

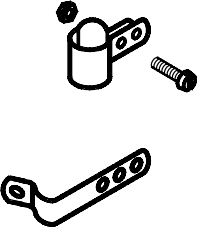
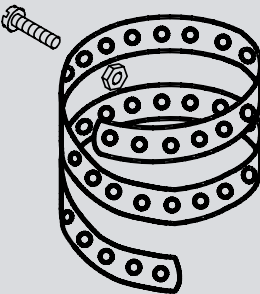

Description	Qty	Code no.
<p>1 2 dia. 3/8 in. dia. 9.5 - 10 mm Danfoss 60-281</p>	<b>Sensor holder kit</b> 017-420166	
	Sensor holder (1)	1
	Clamp (2)	4
<p>Danfoss 17-9049</p>	<b>Sensor clamp</b> 017-420366	
	Clamp	1
	Screw	1
	Nut	1
<p>Danfoss 17-9018</p>	<b>Clamping band</b> 017-420466	
	Band	1
	Screw	1
	Nut	1
<p>M14x1 Danfoss A17-14713 G 1/2A</p>	<b>Capillary tube gland</b> 017-422066	
	Rubber gasket	1
	Union	1
	Gland	1
	Washer	4

Description	Qty	Code no.
<p>Danfoss A17-57414</p>	<b>Sensor pocket, G 1/2A (ISO 228/1)</b>	
	<b>Screw-in depth: 112 mm, material: brass</b>	
	017-437066	
	<b>Screw-in depth: 465 mm, material: brass</b>	
	017-421666	
	<b>Screw-in depth: 112 mm, material: stainless steel 18/8</b>	
	017-436966	
	Sensor pocket	1
	Union	1
Washer	1	
Rubber plug	1	
Washer	2	

Data sheet – Spare parts and accessories

Thermostats,  
Type RT

Description	Qty	Code no.
	<b>Cover with pane</b> 017-436166	
	Cover	1
	Screws	4
	<b>Cover without pane</b> 017-436266	
	Cover	1
	Screws	4
 <p>DIN 404</p>   	Seal screw for cover	1 017425166
	Protective cap	1 017-436066
	Seal screw for cap	1 017-425166
	Setting knob	1 017-436366
 <p>M14x1</p> <p>G 1/2A</p>	<b>Capillary tube gland</b> 017-422066	
	Rubber gasket	1
	Union	1
	Gland	1
	Washer	4
 <p>1</p> <p>2</p> <p>dia. 3/8in.</p> <p>dia. 9.5 → 10mm</p>	<b>Sensor holder kit</b> 017-420166	
	Sensor holder (1)	1
	Clamp (2)	4

Description	Qty	Code no.
	<b>Sensor clamp</b> 017-420366	
	Clamp	1
	Screw	1
	Nut	1
	<b>Clamping band</b> 017-420466	
	Band	1
	Screw	1
	Nut	1
	<b>Sensor pocket, G 1/2 A (ISO 228/1)</b>	
	<b>Screw-in depth: 112 mm, material: brass</b> 017-437066	
	<b>Screw-in depth: 112 mm, material: stainless steel 18/8</b> 017-436966	
	Sensor pocket	1
	Union	1
	Washer	1
	Rubber plug	1
	Washer	2



Data sheet – Spare parts and accessories

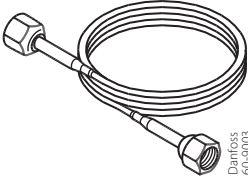
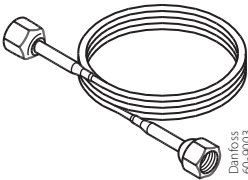
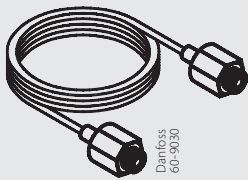
Pressure switches  
Type KP

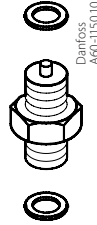

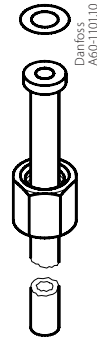

Description		Qty.	Code no.	Description		Qty.	Code no.	
	<b>Front cover for single switch</b>	1	<b>060-008666 <sup>1)</sup></b>		<b>Angle bracket</b>		<b>060-105666</b>	
	<b>Front cover for dual switch</b>	1	<b>060-011366 <sup>1)</sup></b>		Bracket	1		
			Screw, M4 x 6		4			
			Washer		4			
	<b>Top cover for single switch</b>		<b>060-109766</b>		<b>Locking plate with screw</b>		<b>060-018966</b>	
	Top plate	1			Plate (1)	1		
	Screw	2			Screw (2)	1		
	<b>Top cover for dual switch</b>		<b>060-109866</b>					
Top plate	1							
Screw	2							
	<b>Protective cap for single switch</b>	1	<b>060-003166</b>		<b>Seal screw for locking plate</b>		2	<b>060-105766</b>
	<b>Protective cap for dual switch</b>	1	<b>060-003266</b>					
	<b>IP55 Enclosure for single switch</b>	1	<b>060-033066</b>		<b>Screwed cable entry, Pg 13.5</b>		<b>060-105966</b>	
	<b>IP55 Enclosure for dual switch</b>	1	<b>060-035066</b>		Cable entry	1		
					Nut	1		
	<b>Wall bracket</b>		<b>060-105566</b>					
	Bracket	1						
	Screw, M4 x 6	4						
	Washer	4						

<sup>1)</sup> Can be used only if compliance with UL 353 is not needed.

Data sheet – Spare parts and accessories

Pressure switches  
Type KP

Description	Code no. Multi pack	Code no. Industrial pack
Capillary tube, copper 1/4 inch or 6 mm flare nut	21 mm tube "tail"	
	0.5 m	– 060-019066 <sup>1)</sup>
	1.0 m	060-004866 060-019166 <sup>1)</sup>
	1.5 m	– 060-019266 <sup>1)</sup>
	2.0 m	060-016366 060-019366 <sup>1)</sup>
	50 mm tube "tail"	
	0.5 m	– 060-007066 <sup>1)</sup>
	1.0 m	060-017166 060-007166 <sup>2)</sup>
	1.5 m	– 060-007266 <sup>1)</sup>
	2.25 m	060-017666 –
	with Schraeder valve opener	
	0.5 m	– 060-000466 <sup>1)</sup>
	1.0 m	– 060-000566 <sup>1)</sup>
	1.5 m	060-002366 –
Capillary tube, steel not for NH <sub>3</sub>	1/4 inch or 6 mm flare nut	
	1.0 m	060-016766 –
	1.5 m	060-016866 –
Capillary tube, steel for NH <sub>3</sub>	M10 × 0.75	
	1.0 m	060-007866 –
	G 3/8 and M10 × 0.75	
	1.0 m	060-008266 –

Description	Qty.	Code no.
	<b>Nipple</b> M10 × 0.75 / G 1/4 A <b>060-010466</b>	
	Nipple	1
	Alu gasket	2
	1	<b>060B121066</b>
	<b>Weld nipple</b> M10 × 0.75 for NH <sub>3</sub> <b>060-005766</b>	
	Union	1
	Nipple, OD 6 mm × 150 mm	1
	Alu gasket	1
	2	<b>060-104866</b>

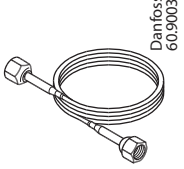
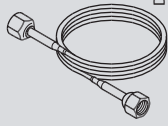

<sup>1)</sup> 50 pcs.

<sup>2)</sup> 40 pcs.

Data sheet – Spare parts and accessories

Pressure controls  
Type RT

Description	Qty.	Code no.
	<b>Cover with pane</b>	
		<b>017-436166</b>
	Cover	1
	Screws	4
	<b>Cover without pane</b>	
		<b>017-436266</b>
	Cover	1
	Screw	4
	Seal screw for cover	1
		<b>017-425166</b>
	Seal screw for cap	1
	Protective cap	1
		<b>017-436066</b>
	Setting knob	1
		<b>017-436366</b>
	<b>Clamping band</b>	
		<b>017-420466</b>
	Band	1
	Screw	1
	Nut	1

Description	Code no. Multi pack	Code no. Industrial pack	
<b>Capillary tube, copper</b> 1/4 in. or 6 mm flare 	21 mm tube "tail"		
	0.5 m	-	<b>060-019066</b> <sup>1)</sup>
	1.0 m	<b>060-004866</b>	<b>060-019166</b> <sup>1)</sup>
	1.5 m	-	<b>060-019266</b> <sup>1)</sup>
	2.0 m	<b>060-016366</b>	<b>060-019366</b> <sup>1)</sup>
	2.25 m	<b>060-017666</b>	-
	50 mm tube "tail"		
	0.5 m	-	<b>060-007066</b> <sup>1)</sup>
	1.0 m	<b>060-017166</b>	<b>060-007166</b> <sup>2)</sup>
	1.5 m	-	<b>060-007266</b> <sup>1)</sup>
	with Schraeder valve opener		
	0.5 m	-	<b>060-000466</b> <sup>1)</sup>
	1.0 m	-	<b>060-000566</b> <sup>1)</sup>
1.5 m	<b>060-002366</b>	-	
<b>Capillary tube, steel</b> 1/4 in. or 6 mm flare not for R717 (NH <sub>3</sub> ) 	1.0 m	<b>060-016766</b>	-
	1.5 m	<b>060-016866</b>	-
<b>Capillary tube, steel</b> G 3/8 and M10 x 0.75 for R717 (NH <sub>3</sub> ) 	1.0 m	<b>060-008266</b>	-

<sup>1)</sup> 50 pcs.

<sup>2)</sup> 40 pcs.

Data sheet – Spare parts and accessories

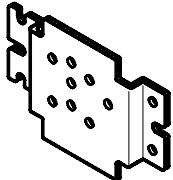
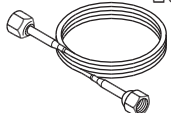
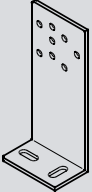
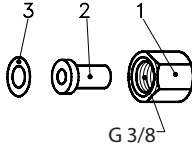
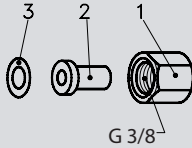
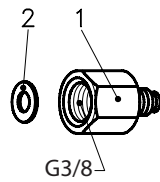
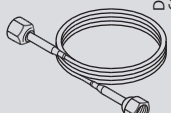
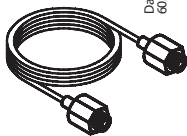

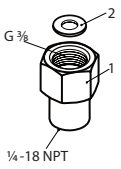
Pressure controls  
Type RT

Description	Qty.	Code no.
<p><b>Solder nipple for G <math>\frac{3}{8}</math></b></p> <p>017-436866</p>	1. Union	1
	2. Nipple ID 8 mm / OD 10 mm	1
	3. Alu gasket	1
<p><b>Weld nipple for G <math>\frac{3}{8}</math></b></p> <p>017-422966</p>	1. Union	1
	2. Nipple, OD 10 mm	1
	3. Alu gasket	1
<p><b>Reducer G <math>\frac{3}{8}</math></b> <math>\frac{1}{4}</math> in. flare</p> <p>017-420566</p>	1. Reducer	1
	2. Alu gasket	1

Description	Qty.	Code no.
<p><b>Adaptor</b> <math>\frac{3}{8}</math> G x <math>\frac{1}{4}</math>-18 NPT</p> <p>060B030266</p>	1. Adapter	1
	2. Alu gasket	1
<p><b>Reducer M10 x 0.75</b> <math>\frac{1}{4}</math> - 18 NPT</p> <p>060-014166</p>	1. Nipple	1
	2. Alu gasket	1
<p><b>Alu gasket</b> for reducer and nipple</p> <p>060B120866</p>	2	
<p><b>Cutting ring coupling</b> for 6 mm steel tube</p> <p>060B121066</p>	1	

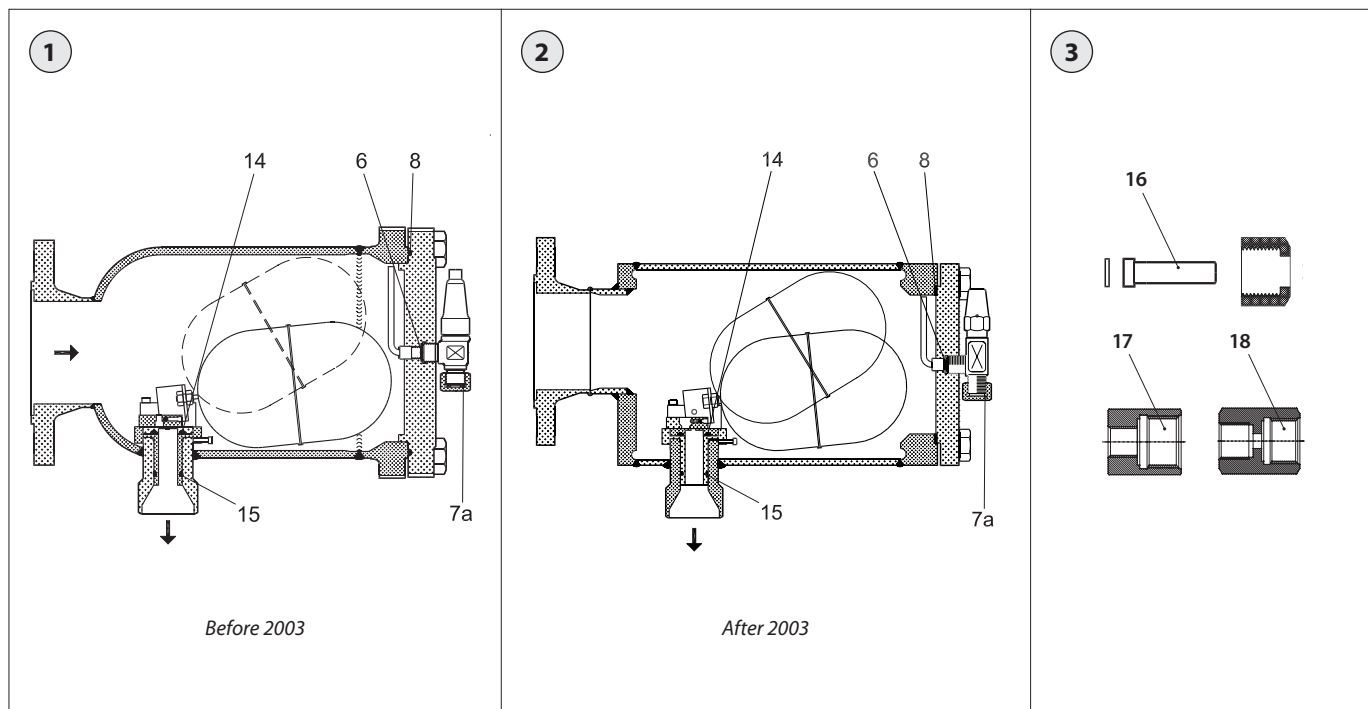
Data sheet – Spare parts and accessories

## Differential pressure switches Types MP 54, MP 55 and MP 55A

Description		Qty.	Code no.	Description		Code no. Multi pack	Code no. Industrial pack
	<b>Wall bracket</b>		<b>060-105566</b>		21 mm tube "tail"		
	Bracket	1			0.5 m	–	<b>060-019066</b> <sup>1)</sup>
	Screw, M4 x 5	4			1.0 m	<b>060-004866</b>	<b>060-019166</b> <sup>1)</sup>
	Washer	4			1.5 m	–	<b>060-019266</b> <sup>1)</sup>
	<b>Angle bracket</b>		<b>060-105666</b>		2.0 m	<b>060-016366</b>	<b>060-019366</b> <sup>1)</sup>
	Bracket	1			50 mm tube "tail"		
	Screw, M4 x 5	4			0.5 m	–	<b>060-007066</b> <sup>1)</sup>
	Washer	4			1.0 m	<b>060-017166</b>	<b>060-007166</b> <sup>2)</sup>
	<b>Solder nipple for G 3/8</b>		<b>017-436866</b>		1.5 m	–	<b>060-007266</b> <sup>1)</sup>
	1. Union	1			with Schraeder valve opener		
	2. Nipple, ID 8 mm/ OD 10 mm	1		0.5 m	–	<b>060-000466</b> <sup>1)</sup>	
	<b>Weld nipple for G 3/8</b>		<b>017-422966</b>	1.0 m	–	<b>060-000566</b> <sup>1)</sup>	
	1. Union	1		Capillary tube, steel			
	2. Nipple, OD 10 mm	1		1/4 in. or 6 mm flare nut not for NH <sub>3</sub>	1.0 m	<b>060-016766</b>	–
	<b>Reducer G 3/8 – 1/4 in. flare</b>		<b>017-420566</b>		1.5 m	<b>060-016866</b>	–
	1. Reducer	1					
	2. Alu gasket	1			1.0 m	<b>060-016966</b>	–
<b>Alu gasket for reducer and nipple</b>		<b>060B120866</b>					
2. Alu gasket	2						
	<b>Cutting ring coupling for 6 mm steel tube</b>	1	<b>060B121066</b>				
	<b>Adaptor G 3/8 x 1/4 – 18 NPT</b>		<b>060B030266</b>	<sup>1)</sup> 50 pcs. <sup>2)</sup> 40 pcs.			
	1. Adapter	1					
	2. Alu gasket	1					

Data sheet – Spare parts and accessories

**Float valve**  
**Type HFI**



Description	Type of nozzle (nominal capacity)	Pos. #	Qty.	Code no.
-------------	-----------------------------------	--------	------	----------

**Repair kit, complete set of gaskets**

Gasket	040	6	1	<b>2453+094</b>
Gasket		7a	1	
O-ring for housing/end cover (Before 2003)		8	1	
Gasket for housing/end cover (After 2003)		8	1	
O-ring		14	1	
O-ring		15	1	

**Repair kit, complete set of gaskets**

Gasket	050	6	1	<b>2453+094</b>
Gasket		7a	1	
O-ring for housing/end cover (Before 2003)		8	1	
Gasket for housing/end cover (After 2003)		8	1	
O-ring		14	1	
O-ring		15	1	

**Repair kit, complete set of gaskets**

Gasket	060	6	1	<b>2453+094</b>
Gasket		7a	1	
O-ring for housing/end cover (Before 2003)		8	1	
Gasket for housing/end cover (After 2003)		8	1	
O-ring		14	1	
O-ring		15	1	

**Repair kit, complete set of gaskets**

Gasket	070	6	1	<b>2453+094</b>
Gasket		7a	1	
O-ring for housing/end cover (Before 2003)		8	1	
Gasket for housing/end cover (After 2003)		8	1	
O-ring		14	1	
O-ring		15	1	

Description	Type of nozzle (nominal capacity)	Pos. #	Qty.	Code no.
-------------	-----------------------------------	--------	------	----------

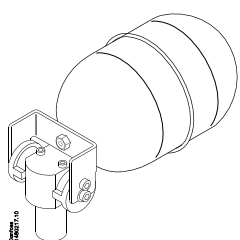
**Complete renewal kit\***

Gasket	040	6	1	<b>148G3661</b>
Gasket		7a	1	
O-ring for housing/end cover (Before 2003)		8	1	
Gasket for housing/end cover (After 2003)		8	1	
Complete insert including the float ball (R717)		-	1	
		-	1	
Gasket	050	6	1	<b>148G3662</b>
Gasket		7a	1	
O-ring for housing/end cover (Before 2003)		8	1	
Gasket for housing/end cover (After 2003)		8	1	
Complete insert including the float ball (R717)		-	1	
		-	1	
Gasket	060	6	1	<b>148G3663</b>
Gasket		7a	1	
O-ring for housing/end cover (Before 2003)		8	1	
Gasket for housing/end cover (After 2003)		8	1	
Complete insert including the float ball (R717)		-	1	
		-	1	
Gasket	070	6	1	<b>148G3584</b>
Gasket		7a	1	
O-ring for housing/end cover (Before 2003)		8	1	
Gasket for housing/end cover (After 2003)		8	1	
Complete insert including the float ball (R717)		-	1	
		-	1	

**Welding nipple - G½-ND6**

Welding nipple including aluminium gasket	-	16	2	<b>148B4184</b>
Aluminium gaskets included - ¼" FPT - ½" G	-	17	1	<b>148B3860</b>
Aluminium gaskets included - 3/8" G - ½" G	-	18	1	<b>148B3861</b>

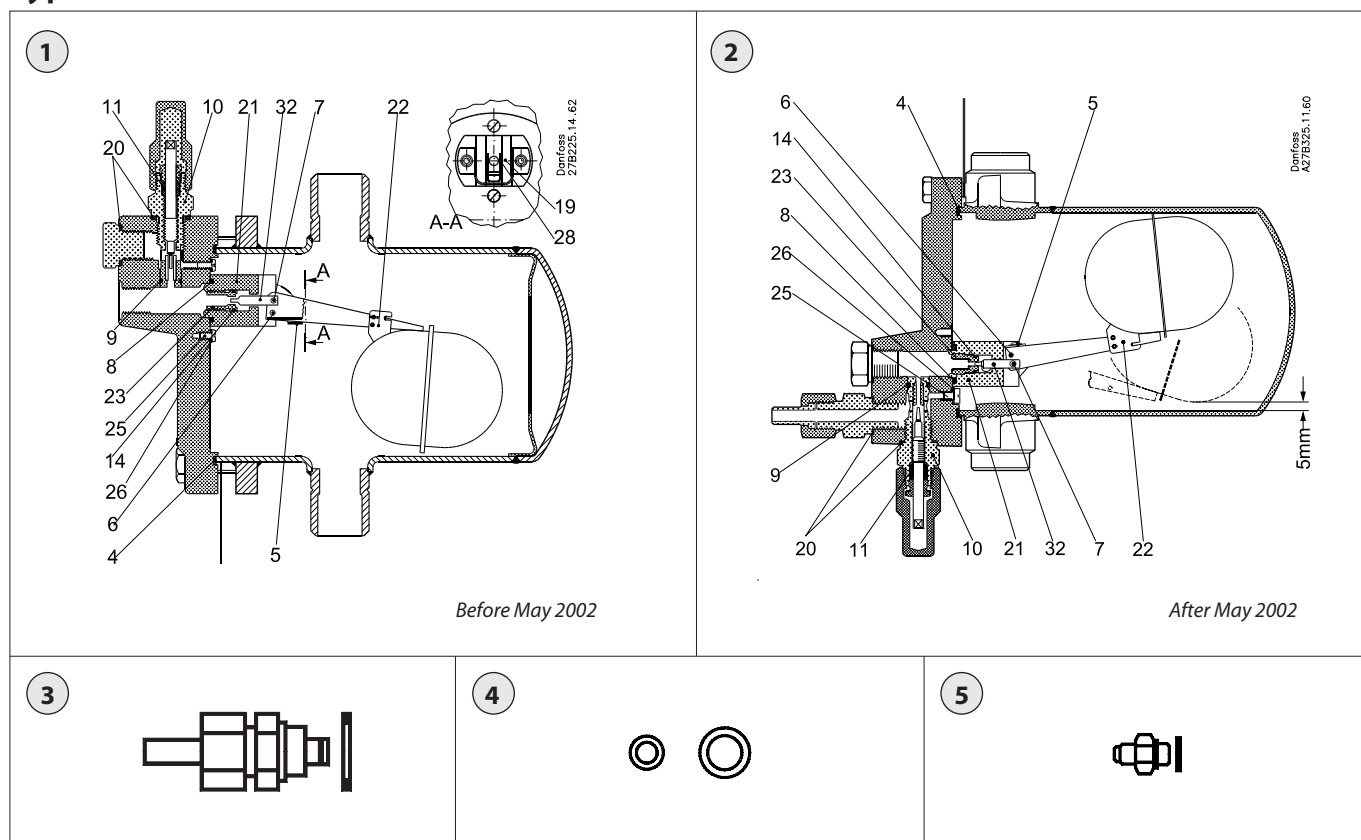
\* The float mechanism is assembled and adjusted from factory



HFI insert after 2006

Data sheet – Spare parts and accessories

# Float valves Types SV 1 and SV 3



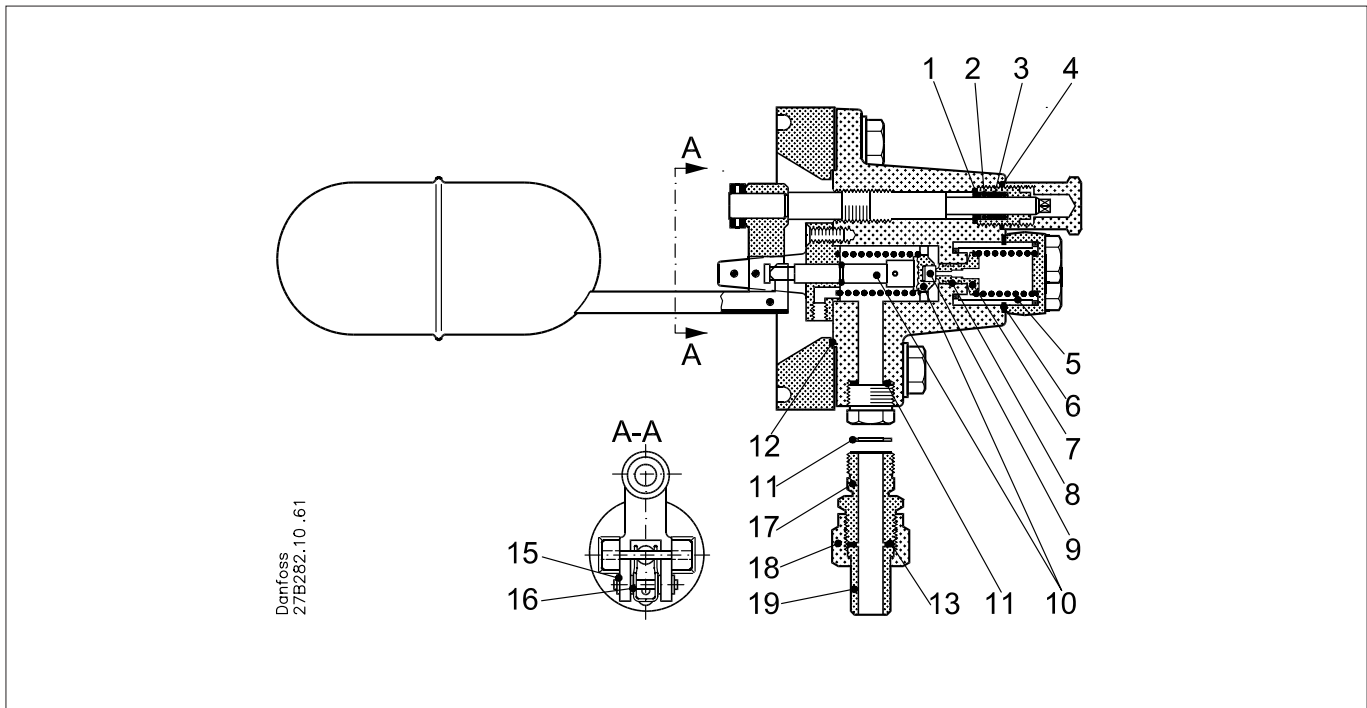
Description	Pos. #	Qty.	size	Code no.
<b>Insert assembly, fig. 1 and fig. 2</b>				
Clamp	5	1	1	027B2051
Pin	6	1	1	
Pin	7	1	1	
O-ring	8	1	1	
O-ring	14	1	1	
Spring washer	19	2	1	
Valve body	21	1	1	
Float assembly	22	1	1	
Orifice	23	1	1	
Screw	25	2	1	
Nut	28	2	1	
Needle	32	1	1	
Clamp	5	1	3	027B2053
Pin	6	1	3	
Pin	7	1	3	
O-ring	8	1	3	
O-ring	14	1	3	
Spring washer	19	2	3	
Valve body	21	1	3	
Float assembly	22	1	3	
Orifice	23	1	3	
Screw	25	2	3	
Nut	28	2	3	
Needle	32	1	3	
<b>Service kit, fig. 1 and fig. 2</b>				
Pin	6	1	1	027B2055
Pin	7	1	1	
O-ring	14	1	1	
Orifice	23	1	1	
Needle	32	1	1	
Pin	6	1	3	027B2056
Pin	7	1	3	
O-ring	14	1	3	
Orifice	23	1	3	
Needle	32	1	3	
<b>Bypass valve, fig. 1 and fig. 2</b>				
O-ring	9	1	1	027B2046
Valve assembly	10	1	1	
Gasket	20	1	1	
O-ring	9	1	3	027B2046
Valve assembly	10	1	3	
Gasket	20	1	3	

Description	Pos. #	Qty.	size	Code no.
<b>Seal kit, fig. 1 and fig. 2</b>				
Gasket	4	1	1 and 3	027B2045
O-ring	8	1	1 and 3	
O-ring	9	1	1 and 3	
Teflon gasket	11	1	1 and 3	
O-ring	14	1	1 and 3	
Gasket	20	2	1 and 3	
Gasket	26	1	1 and 3	
<b>Seal kit, fig. 1 and fig. 2</b>				
Gasket	4	1	1 and 3	027B2061
<b>Pilot connector, fig. 3</b>				
Solder/weld ID 6.5/OD 10 mm	-	1	1 and 3	027B2047
Nipple assembly	-	1	1 and 3	
Gasket	-	1	1 and 3	
<b>Seal kit, fig. 4</b>				
Solder/weld pilot connector	-	1	1 and 3	027B2028
Alu gasket	-	4	1 and 3	
Gasket	-	4	1 and 3	
<b>Pilot connector, fig. 5</b>				
Nipple	-	4	1 and 3	027B2033
Gasket	-	4	1 and 3	

Data sheet – Spare parts and accessories

Float valves

Types SV 4, SV 5 and SV 6



Danfoss  
27B282.10 .61

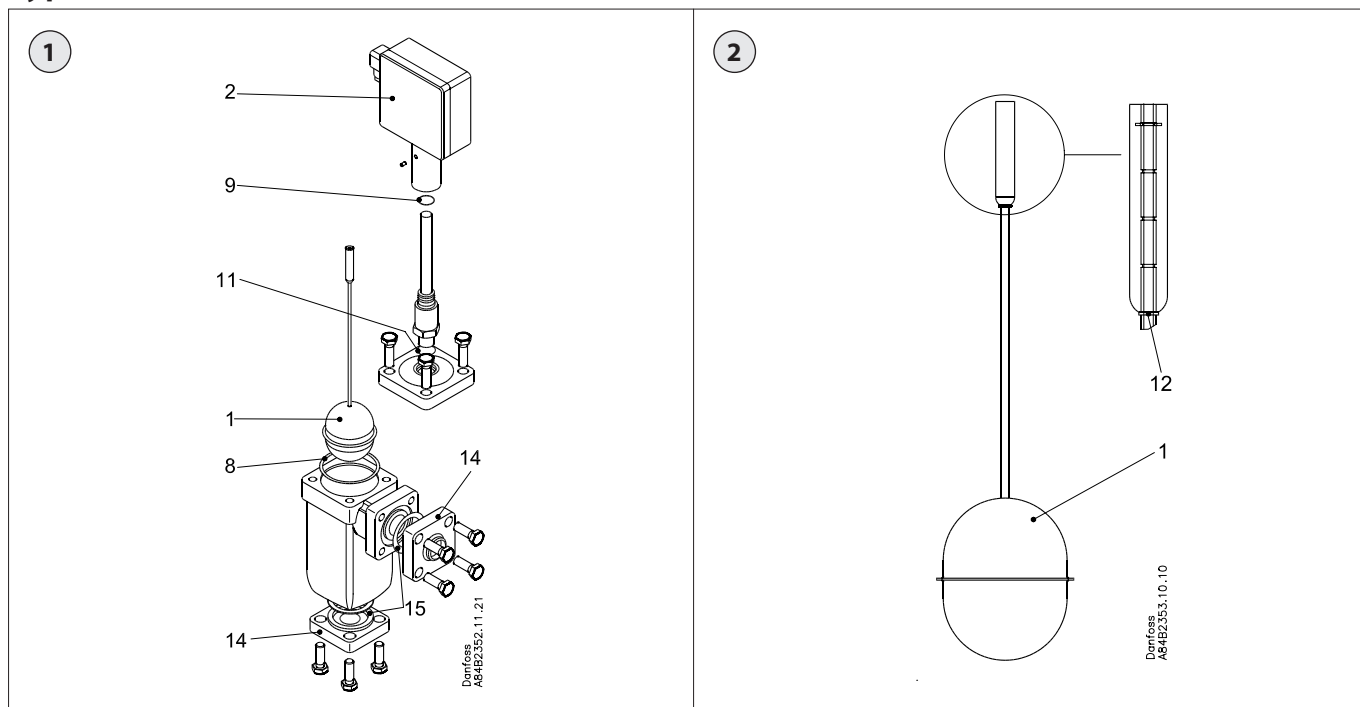
Description	Pos. #	Qty.	Code no.
<b>Seal kit</b>			
Sealing ring	1	1	027B2070
O-ring	2	2	
Washer	3	1	
Washer, nylon	4	1	
Gasket	6	1	
Alu gasket	11	2	
Gasket	12	1	
Alu gasket	13	2	
Alu gasket	14	2	
<b>Service kit</b>			
Valve plate, teflon	9	1	027B2073
Cone incl. tap	10	1	
Locking ring	15	2	
Washer, nylon	16	2	
<b>Strainer</b>			
Strainer	5	1	027B2071
<b>Orifice assembly</b>			
Gasket	6	1	027B2080
Orifice dia. 1.0 mm	7	1	
O-ring	8	1	
Valve plate, nylon	9	1	
<b>Orifice assembly</b>			
Gasket	6	1	027B2081
Orifice dia. 1.5 mm	7	1	
O-ring	8	1	
Valve plate, nylon	9	1	
<b>Orifice assembly</b>			
Gasket	6	1	027B2082
Orifice dia. 2.0 mm	7	1	
O-ring	8	1	
Valve plate, nylon	9	1	

Description	Pos. #	Qty.	Code no.
<b>Orifice assembly</b>			
Gasket	6	1	027B2083
Orifice dia. 1.0 mm	7	1	
O-ring	8	1	
Valve plate, nylon	9	1	
<b>Orifice assembly</b>			
Gasket	6	1	027B2084
Orifice dia. 1.0 mm	7	1	
O-ring	8	1	
Valve plate, nylon	9	1	
<b>Orifice assembly (default SV 4)</b>			
Gasket	6	1	027B2085
Orifice dia. 3.0 mm	7	1	
O-ring	8	1	
Valve plate, nylon	9	1	
<b>Orifice assembly (default SV 5)</b>			
Gasket	6	1	027B2086
Orifice dia. 3.5 mm	7	1	
O-ring	8	1	
Valve plate, nylon	9	1	
<b>Orifice assembly (default SV 6)</b>			
Gasket	6	1	027B2087
Orifice dia. 4.0 mm	7	1	
O-ring	8	1	
Valve plate, nylon	9	1	
<b>Orifice assembly (default SV 6)</b>			
Alu gasket	11	1	027B2075
Alu gasket	13	1	
Nipple	17	1	
Union	18	1	
Welding nipple	19	1	



## Data sheet – Spare parts and accessories

### Liquid level switches Type AKS 38



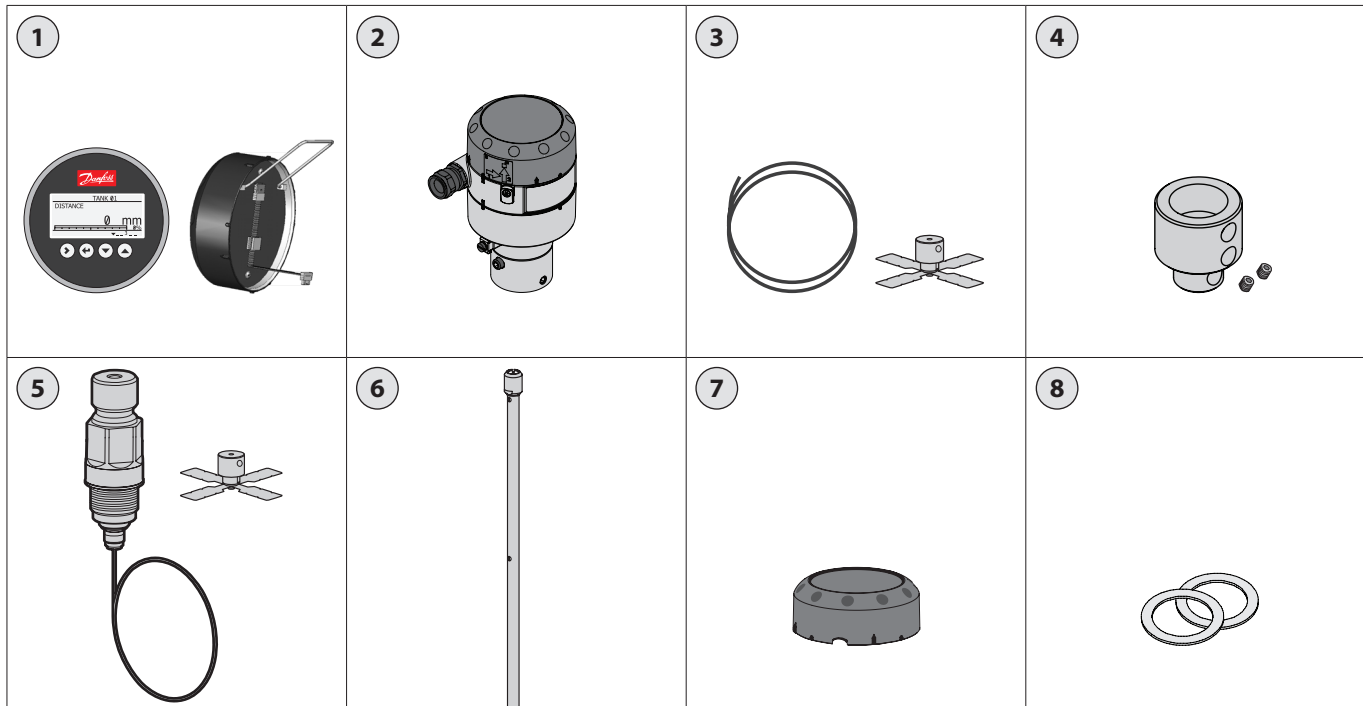
Description	Pos. #	Qty.	Code no.
<b>Electrical switch box, fig. 1</b>			
Switch box	2	1	148H3202
<b>Internal float assembly, fig. 1 and Fig. 2</b>			
Internal float assembly	1	1	148H3203
Locking ring for internal float	12	2	
<b>Repair kit, fig. 1 and Fig. 2</b>			
Top cover gasket	8	1	148H3200
O-ring for pressure tube	9	1	
Alu. gasket	11	1	
Flange gasket	15	2	
Locking ring for internal float	12	2	

Description	Pos. #	Qty.	Code no.
<b>Flanges, fig. 1</b>			
AKS 38 Butt Weld, DIN DN 25 (1 in.)	14	2	027N1026
AKS 38 Butt Weld, ANSI DN 25 (1 in.)	14	2	027N2023
AKS 38 Socket Weld, ANSI DN 20 (3/4 in.)	14	2	027N2012
KS 38 Socket Weld, ANSI DN 25 (1 in.)	14	2	027N2013
AKS 38 FPT, NPT DN 20 (3/4 in.)	14	2	027G1007

Please observe:  
Same flanges as for NRVA 25 and NRVA 32

Data sheet – Spare parts and accessories

**Liquid level sensor**  
**Type AKS 4100/4100U**



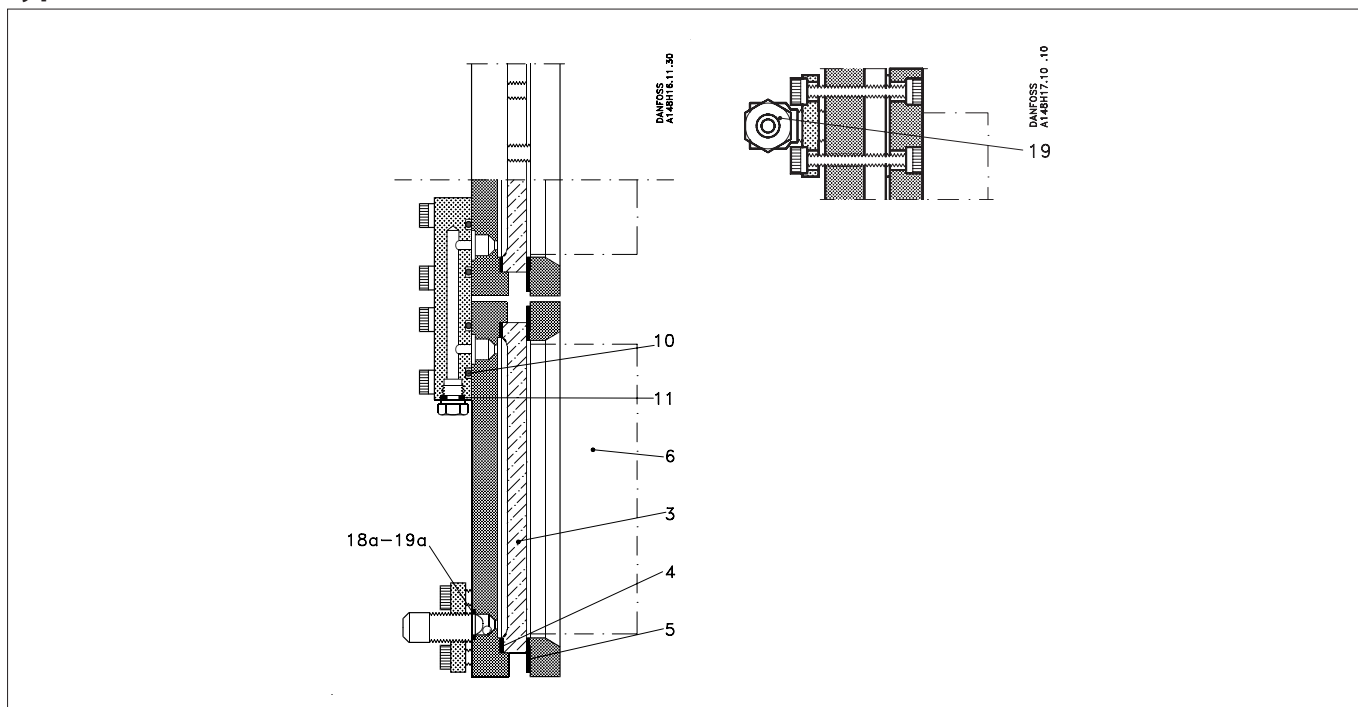
Description	Fig.. #	Qty.	Code no.
<b>Accessories</b>			
AKS 4100/4100U HMI Service/Display unit with rear cover and mounting bracket	1	1	<b>084H4540</b>
AKS 4100/4100U HMI Display	1	1	<b>084H4548</b>
AKS 4100/4100U Signal Converter without HMI, excluding cable gland	2	1	<b>084H4541</b>
<b>Service kit</b>			
Cable and counterweight for AKS 4100/4100U - CABLE version			
Cable - 5 m (197 in.) Ø2 mm (Ø0.08 in.)	3	1	<b>084H4542</b>
Crimp	3	1	
Counterweight	3	1	
<b>Service kit</b>			
End connector incl screws for AKS 4100/4100U - COAXIAL version			
End connector (incl. 3 mm (0.12 in) set screws)	4	1	<b>084H4549</b>
<b>Service kit</b>			
Process connection, counterweight and 5 m (197 in.) Ø2 mm (Ø0.08 in.) cable for AKS 4100 - CABLE and COAXIAL version			
1 in. process connection	5	1	<b>084H4545</b>
Counterweight	5	1	

Description	Fig.. #	Qty.	Code no.
<b>Service kit</b>			
Process connection, counterweight and 5 m (197 in.) Ø2 mm (Ø0.08 in.) cable for AKS 4100U - CABLE and COAXIAL version			
3/4in. NPT process connection	5	1	<b>084H4546</b>
Counterweight	5	1	
<b>Other spare parts</b>			
Coaxial tube. Tube length : 680 mm (26.8 in.)	6	1	<b>084H4543</b>
Blank top cover for signal converter	7	1	<b>084H4544</b>
Aluminium gaskets for 1in. process connection	8	10	<b>084H4547</b>
AKS 4100 1. in. welding connection	-	1	<b>027F1010</b>

Data sheet – Spare parts and accessories

**Sight glasses**

**Types LLG, LLG-S, LLG-F and LLG-SF 185 - 1550 (7¼ - 61 in.)**



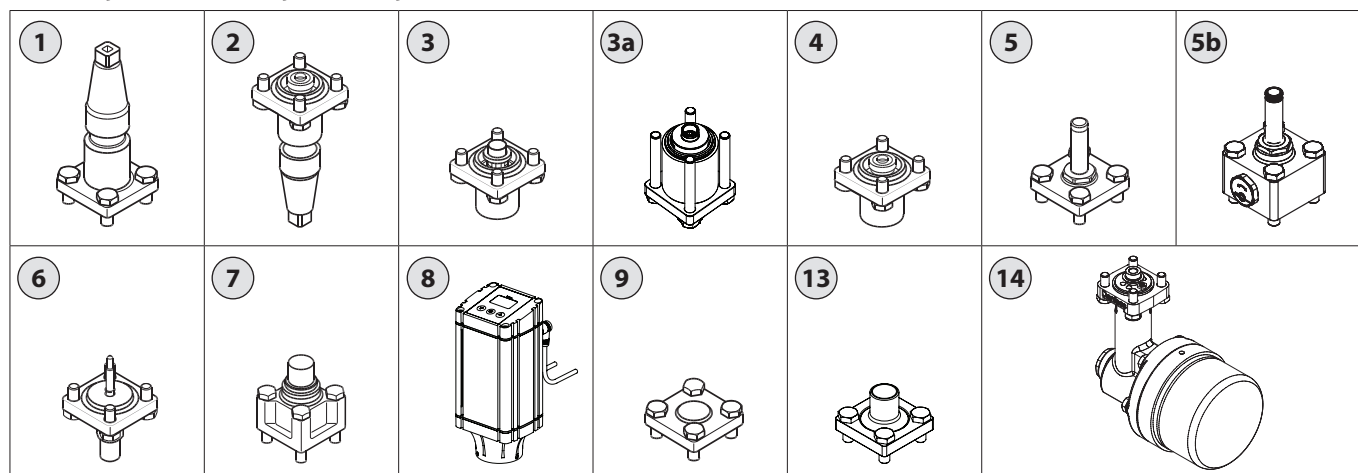
Description	Pos. #	Qty.	Size	Code no.
<b>Repair kit, complete set of gaskets</b>				
Gasket for sight glass	4	1	Size 185 (7¼ in.)	<b>2453+056</b>
Protective coating for sight glass	5			
Gasket for nipple for type LLG	18a			
Gaskets for stop valve and for nipple	19a			
Gasket for sight glass	4	1	Size 335 (13¼ in.)	<b>2453+057</b>
Protective coating for sight glass	5			
Gasket for nipple for type LLG	18a			
Gaskets for stop valve and for nipple	19a			
Gasket for sight glass	4	1	Size 590 (23¼ in.)	<b>2453+058</b>
Protective coating for sight glass	5			
O-ring for connecting piece for	10			
Gasket for connecting piece for	11			
Gasket for nipple for type LLG	18a			
Gaskets for stop valve and for nipple	19a			
Gasket for sight glass	4	1	Size 740 (29¼ in.)	<b>2453+059</b>
Protective coating for sight glass	5			
Gasket for nipple for type LLG	18a			
Gaskets for stop valve and for nipple	19a			
Gasket for sight glass	4	1	Size 995 (39¼ in.)	<b>2453+060</b>
Protective coating for sight glass	5			
O-ring for connecting piece for	10			
Gasket for connecting piece for	11			
Gasket for nipple for type LLG	18a			
Gaskets for stop valve and for nipple	19a			
Gasket for sight glass	4	1	Size 1145 (45 in.)	<b>2453+061</b>
Protective coating for sight glass	5			
O-ring for connecting piece for	10			
Gasket for connecting piece for	11			
Gasket for nipple for type LLG	18a			
Gaskets for stop valve and for nipple	19a			
Gasket for sight glass	4	1	Size 1550 (61 in.)	<b>2453+062</b>
Protective coating for sight glass	5			
O-ring for connecting piece for	10			
Gasket for connecting piece for	11			
Gasket for nipple for type LLG	18a			
Gaskets for stop valve and for nipple	19a			

Description	Pos. #	Qty.	Size	Code no.
<b>Sight glass</b>				
Sight glass	3	1	Size 185 (7¼ in.)	<b>148H3034</b>
Sight glass	3	1	Size 335 (13¼ in.)	<b>148H3035</b>
Sight glass	3	1	Size 590 (23¼ in.)	<b>148H3036</b>
Sight glass	3	1	Size 740 (29¼ in.)	<b>148H3037</b>
Sight glass	3	1	Size 995 (39¼ in.)	<b>148H3038</b>
<b>Spare part kit for LLG-F and LLG-SSF</b>				
Sight adapter	6	1	Size 185 (7¼ in.)	<b>148H3041</b>
Sight adapter	6	1	Size 335 (13¼ in.)	<b>148H3042</b>
Sight adapter	6	1	Size 590 (23¼ in.)	<b>148H3043</b>
Sight adapter	6	1	Size 740 (29¼ in.)	<b>148H3044</b>
Sight adapter	6	1	Size 995 (39¼ in.)	<b>148H3045</b>
Sight adapter	6	1	Size 1145 (45 in.)	<b>148H3046</b>
Sight adapter	6	1	Size 1550 (61 in.)	<b>148H3047</b>
<b>Stop valve</b>				
Stop valve, type SNV-ST	19	1	All	<b>148B3769</b>

## Data sheet – Spare parts and accessories

### Valve station

### ICF 15, ICF EVRAT, ICF 20, ICF SS 20



Description	Fig #	Qty.	Code no.
<b>Stop, Check, Stop/check and Regulating valve module</b>			
ICFS 15 – Stop valve module	1	1	148B5276
ICFS 20 – Stop valve module	1	1	027L1250
ICFS SS 20 – Stop valve module	1	1	027L4772
ICFR 20A – Manual regulating valve (incl. PEEK seat)	1	1	027L1254
ICFR SS 20A – Manual regulating valve (incl. PEEK seat)	1	1	027L4773
ICFR 20B – Manual regulating valve (incl. PEEK seat)	1	1	027L1255
ICFR SS 20B – Manual regulating valve (incl. PEEK seat)	1	1	027L4774
ICFN 20 – Stop/check valve module	2	1	027L1253
ICFN SS 20 – Stop/check valve module	2	1	027L4788
ICFC 20 – Check valve module	4	1	027L1252
ICFC SS 20 – Check valve module	4	1	027L4775
Packing gland for ICFS 20, ICFR 20, ICFN 20	-	1	148B4056
Red cap for ICFS 20	-	1	148B4075
Yellow cap for ICFR 20	-	1	027L1306
Green cap for ICFN 20	-	1	027L1316
Handwheel for ICFS 20	-	1	148B4060
Inspection kit for ICFS 15	-	1	148B6051
Repair kit for ICFS 15	-	1	148B6061
Overhaul kit for ICFS 15	-	1	148B6151
<b>Filter module</b>			
ICFF 15 - Filter module G 1/4"	-	1	027L1246
ICFF 15 - Filter module 3/8"NPT	-	1	027L1247
ICFF 20 – Filter module (incl. adaptor and pleated insert (150 µ (100 mesh) / 45 cm <sup>2</sup> (7.0 in <sup>2</sup> ))	3	1	027L1251
ICFF SS 20 – Filter module (incl. adaptor and pleated insert (150 µ (100 mesh) / 45 cm <sup>2</sup> (7.0 in <sup>2</sup> ))	3	1	027L4776
ICFF 20E – Filter module (incl. adaptor and pleated insert (150 µ (100 mesh) / 160 cm <sup>2</sup> (24.8 in <sup>2</sup> ))	3a	1	027L2256
ICFF SS 20E – Filter module (incl. adaptor and pleated insert (150 µ (100 mesh) / 160 cm <sup>2</sup> (24.8 in <sup>2</sup> ))	3a	1	027L4777
Filter element for ICFF 15	-	1	148H1136
Filter element for ICFF 20 74 µ	-	1	148H3292
Filter element pleated for ICFF 20 250 µ	-	1	148H3363
Filter element pleated for ICFF 20E, 250 µ	-	1	148H3269
Filter element for ICFF 20, ICFF SS 20, 150µ, 45 cm <sup>2</sup>	-	1	027L0801
Filter element for ICFF 20E, ICFF SS 20E, 150µ, 160cm <sup>2</sup>	-	1	027L0800

#### Solenoid valve module

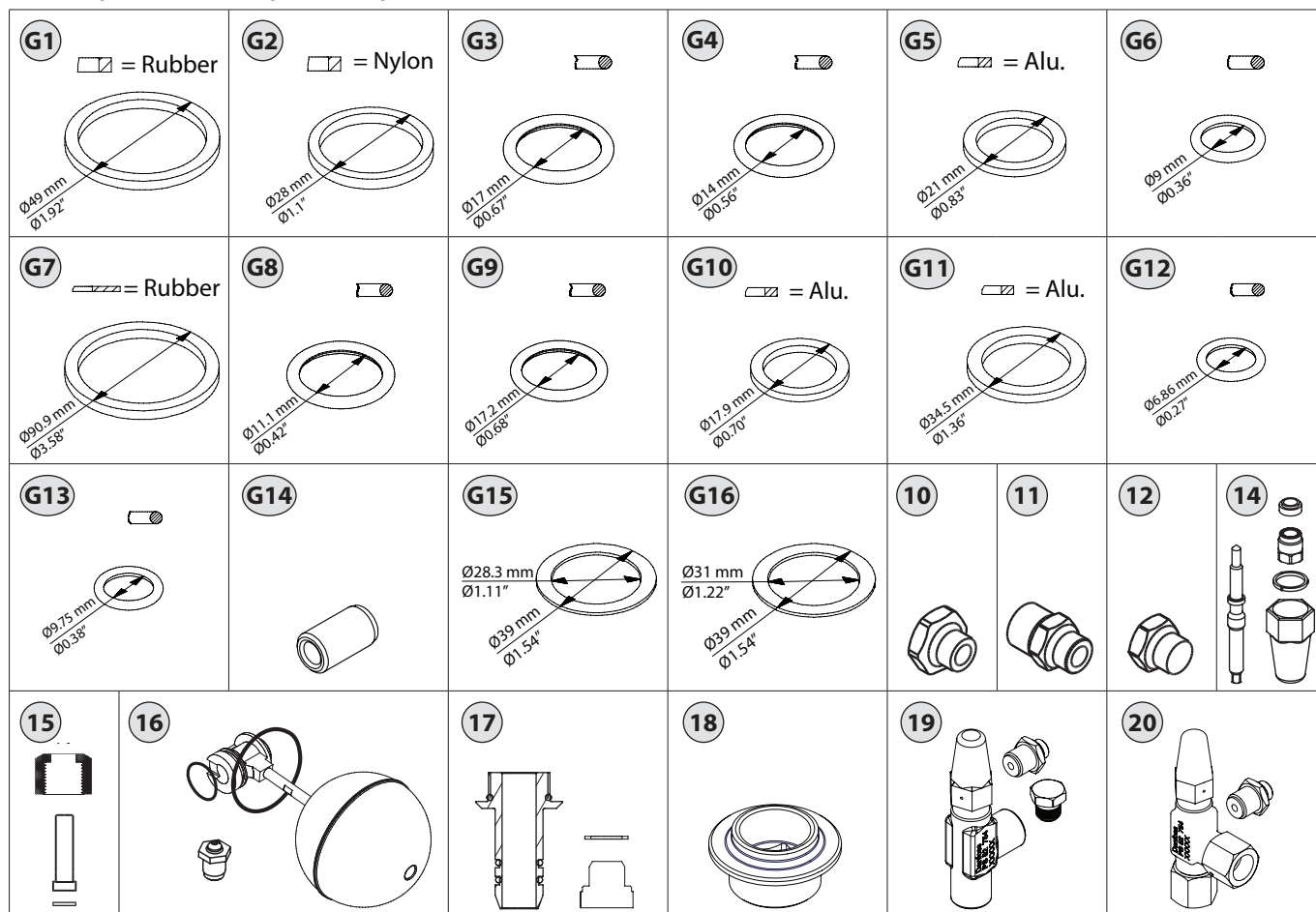
ICFE 20 – Solenoid valve module (incl. PEEK seat)	5	1	027L1257
ICFE SS 20 – Solenoid valve module (incl. PEEK seat)	5	1	027L4778
ICFE 20H – Solenoid valve module High Capacity	5b	1	027L1270
ICFE SS 20H – Solenoid valve module High Capacity	5b	1	027L4779
Repair kit for ICFE 20: Armature assembly, Diaphragm assembly, Al. gasket, O-ring	-	1	032F8030

Description	Fig #	Qty.	Code no.
<b>Manual opening module</b>			
ICFO 20 – Manual opening module	6	1	027L1260
ICFO SS 20 – Manual opening module	6	1	027L4786
<b>Electronic expansion valve module</b>			
ICFA 20 – Electronic expansion valve module (incl. PEEK seat)	5	1	027L1258
ICFA SS 20 – Electronic expansion valve module (incl. PEEK seat)	5	1	027L4780
Armature kit for ICFA 20 Armature, Armature tube assembly, Alu gasket	-	1	068F5045
<b>Motor valve module</b>			
ICM 20-A33 – Motor valve module (incl. PEEK seat)	7	1	027H1186
ICM SS 20-A33 – Motor valve module (incl. PEEK seat)	7	1	027L4785
ICM 20-A – Motor valve module (incl. PEEK seat)	7	1	027H1180
ICM SS 20-A – Motor valve module (incl. PEEK seat)	7	1	027L4782
ICM 20-B66 – Motor valve module (incl. PEEK seat)	7	1	027H1194
ICM SS 20-B66 – Motor valve module (incl. PEEK seat)	7	1	027L4781
ICM 20-B – Motor valve module (incl. PEEK seat)	7	1	027H1181
ICM SS 20-B – Motor valve module (incl. PEEK seat)	7	1	027L4783
ICM 20-C – Motor valve module (incl. PEEK seat)	7	1	027H1182
ICM SS 20-C – Motor valve module (incl. PEEK seat)	7	1	027L4784
ICAD 600A – Actuator with 1.5 m (60 in.) cables	8	1	027H9075
ICAD 600A – Actuator without cables	8	1	027H9120
<b>Blank top cover and welding module</b>			
ICFB 20 – Blank top cover	9	1	027L1259
ICFB SS 20 – Blank top cover	9	1	027L4787
ICFW 20 – Welding module 20 DIN	13	1	027L1245
ICFW SS 20 – Welding module 20 DIN	13	1	027L4789
ICFW 20 – Welding module 3/4" SOC	13	1	027L1230
<b>Defrost module</b>			
ICFD 20	14	1	027L6701

**All modules include a gasket and four bolts when supplied.**

Data sheet – Spare parts and accessories

Valve station  
ICF 15, ICF EVRAT, ICF 20, ICF SS 20

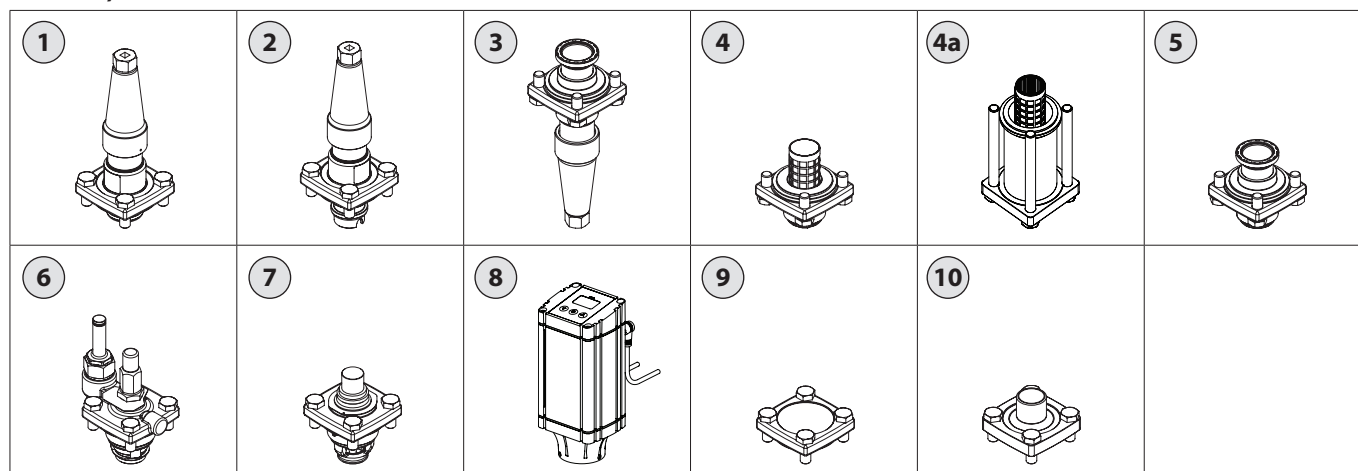


Description	Fig #	Qty.	Code no.	
<b>Gaskets and O-rings for ICF 15</b>				
- Rubber gasket M3, M4	G1	2	027L1271	
- Fiber gasket M1	G15	1		
- Fiber gasket M2	G16	1		
- Al-gaskets for side ports	G5	2		
- O-ring for armature	G4	1		
- Gasket for Cap	G2	2		
- O-ring for PEEK seat	G3	2		
<b>Gaskets and O-rings for ICF 20/ICF SS 20</b>				
- Rubber gasket bonnet-flange	G1	6		027L1261
Stop, reg. and stop-check valves and ICM:				
- Gasket for a cap	G2	3		
- O-ring for PEEK seat	G3	2		
- O-ring for packing gland	G6	1		
Solenoid valve module:			027L6702	
- O-ring for armature	G4	1		
- O-ring for PEEK seat	G3	1		
Al-gaskets for side ports	G5	6		
Defrost Module:			027L6702	
- Rubber gasket bonnet-flange	G1	1		
- Gasket for Float housing flange	G7	1		
- O-ring Inlet connector	G8	2		
- O-ring Inlet connector	G9	1		
- Al-gasket for Drain plug	G10	1		
- Al-gasket for Union nut	G11	1		
- O-ring Manual opener	G12	1		
- O-ring Manual opener	G13	1		
- Dowel Pin	G14	1		
<b>PEEK seat set for ICM /ICF 20</b>				
- Seat PEEK	18	1		027L1272
- Rubber gasket	G1	1		
- O-ring for PEEK seat	G3	1		
<b>Defrost Module SNV service kit (NPT thread)</b>				
- Al gasket	19	1	148B6607	
- Adapter G1/4" - 3/8" MPT		1		
- SNV ST 3/8" FPT - 3/8" FPT		1		
- Blind Plug 3/8" MPT		1		

Description	Fig #	Qty.	Code no.
<b>Defrost Module SNV service kit (G thread)</b>			
- Al gasket	20	3	148B3778
- Adapter G1/4" - G1/2"		1	
- SNV ST G1/2" - G1/2"		1	
<b>Defrost Module repair kit</b>			
Float, Float lever, Slider, Liquid orifice (incl. O-ring), O-ring for Orifice holder, AKV orifice, 2 x O-ring for Inlet connector	16	1	027L6703
<b>Defrost Module inlet connector / drain plug</b>			
- Inlet connector	17	1	027L6704
- O-ring for inlet connector		3	
- Plug G 3/4"		1	
- Alu gasket		1	
<b>For ICF/ICF SS side ports</b>			
For ICF side ports: Sight glass G 3/8" (including Al.gasket)	10	2	027L1267
For ICF SS side ports: Sight glass G 3/8" (including Al.gasket)	10	2	027L4812
Nipple for side connection G 3/8" - G 1/2" (including Al.gasket, for ICF with DIN and ANSI connections only)	11	2	027L1266
Nipple for side connection G 3/8" - G 1/2" (including Al.gasket, for ICF SS)	11	2	027L4810
Blind for side connection G 3/8" (including Al.gasket, for ICF with DIN and ANSI connections only)	12	2	027L1265
Blind for side connection G 3/8" (including Al.gasket, for ICF SS)	12	2	027L4811
Sight glass NPT 3/8" (for ICF with SOC connections only)	10	2	027L1269
Blind for side connection NPT 3/8" (for ICF with SOC connections only)	12	2	027L1268
1/2 in to DIN DN6 pipe weld connector for ICF	15	2	148B4184
1/2 in to DIN DN6 pipe weld connector for ICF SS	15	2	148B4689
<b>For ICF EVRAT</b>			
Repair kit (manual opener) for all ICF EVRAT	14	1	027L1248

## Data sheet – Spare parts and accessories

### Valve station ICF 25, ICF SS 25



Description	Fig #	Qty.	Code no.
<b>Stop, Check, Stop/check and Regulating valve module</b>			
ICFS 25 – Stop valve module	1	1	027L2250
ICFS SS 25 – Stop valve module	1	1	027L4791
ICFR 25A – Manual regulating valve	2	1	027L2254
ICFR SS 25A – Manual regulating valve	2	1	027L4792
ICFR 25B – Manual regulating valve	2	1	027L2255
ICFR SS 25B – Manual regulating valve	2	1	027L4793
ICFN 25 – Stop/Check valve module	3	1	027L2253
ICFN SS 25 – Stop/Check valve module	3	1	027L4803
ICFC 25 – Check valve module	5	1	027L2252
ICFC SS 25 – Check valve module	5	1	027L4794
Packing gland for ICFS 25, ICFR 25, ICFN 25	-	1	148B4037
Red cap for ICFS 25	-	1	148B4076
Yellow cap for ICFR 25	-	1	027L1308
Green cap for ICFN 25	-	1	027L1318
Handwheel for ICFS 25	-	1	148B4062

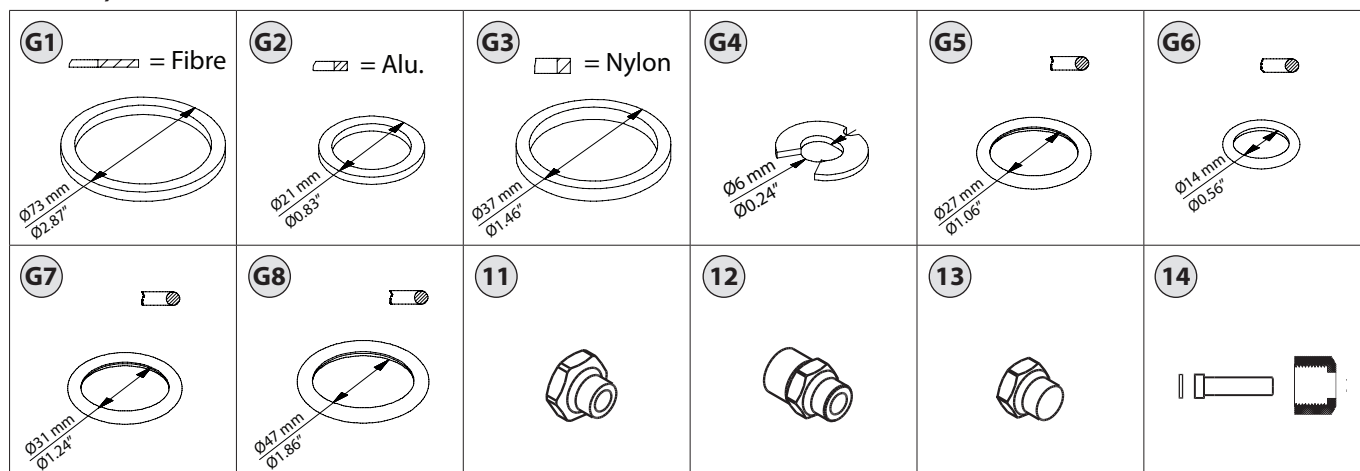
<b>Filter module</b>			
ICFF 25 – Filter module (incl. pleated insert (150 µ (100 mesh) / 160 cm <sup>2</sup> (24.8 in <sup>2</sup> )))	4	1	027L2251
ICFF SS 25 – Filter module (incl. pleated insert (150 µ (100 mesh) / 160 cm <sup>2</sup> (24.8 in <sup>2</sup> )))	4	1	027L4795
ICFF 25E – Filter module (incl. pleated insert (150µ (100 mesh) / 330 cm <sup>2</sup> (51.2 in <sup>2</sup> )))	4a	1	027L2299
ICFF SS 25E – Filter module (incl. pleated insert (150µ (100 mesh) / 330 cm <sup>2</sup> (51.2 in <sup>2</sup> )))	4a	1	027L4796
Filter element for ICFF 25 100 µ	-	1	148H3123
Filter element pleated for ICFF (25-40)E 250 µ	-	1	148H3296
Filter element for ICFF 25, ICFF SS 25, 150 µ - 160cm <sup>2</sup>	-	1	027L0800
Filter element for ICFF 25E, ICFF SS 25E, 150 µ - 330 cm <sup>2</sup>	-	1	027L0802

Description	Fig #	Qty.	Code no.
<b>Solenoid valve module</b>			
ICFE 25 – Solenoid valve module	6	1	027L2257
ICFE SS 25 – Solenoid valve module	6	1	027L4797
<b>Motor valve module</b>			
ICM 25-A – Motor valve module	7	1	027H2180
ICM SS 25-A – Motor valve module	7	1	027L4798
ICM 25-B – Motor valve module	7	1	027H2181
ICM SS 25-B – Motor valve module	7	1	027L4799
ICAD 600A – Actuator with 1.5 m (60 in.) cables,	8	1	027H9075
ICAD 600A – Actuator without cables	8	1	027H9120
<b>Blank top cover and welding module</b>			
ICFB 25 – Blank top cover	9	1	027L2259
ICFB SS 25 – Blank top cover	9	1	027L4802
ICFW 25 – Welding module 25DIN	10	1	027L2265
ICFW SS 25 – Welding module 25DIN	10	1	027L4800
ICFW 25 – Welding module 25SOC	10	1	027L2263

**All modules include a gasket and four bolts when supplied.**

## Data sheet – Spare parts and accessories

### Valve station ICF 25, ICF SS 25

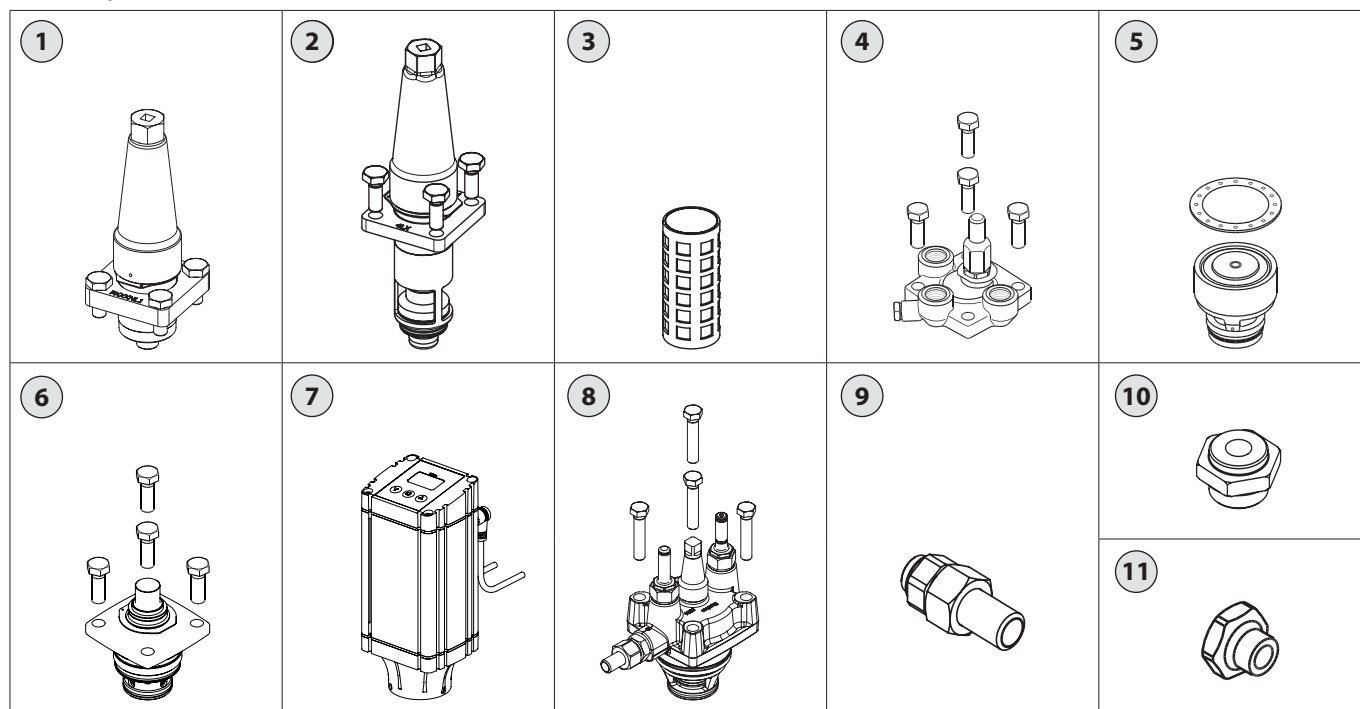


Description	Fig #	Qty.	Code no.
<b>Gaskets and O-rings for ICF 25/ICF SS 25</b>			
O-rings bonnet-flange	G1	6	027L2260
Stop, reg and stop-check valves	G3	3	
Gasket for a cap	G5	1	
O-ring for check valve	G5	1	
Solenoid valve module:			
O-ring for armature	G6	1	
O-ring for insert	G8	1	
O-ring for inserts (small)	G7	1	
Locking ring	G4	2	
ICM:			
O-ring for insert	G8	1	
O-ring for inserts (small)	G7	1	
Side ports:			
Al-gaskets	G2	2	
<b>For ICF/ICF SS side ports</b>			
For ICF side ports: Sight glass G $\frac{3}{8}$ " (including Al.gasket, for ICF with DIN and ANSI connections only)	11	2	027L1267
For ICF SS side ports: Sight glass G $\frac{3}{8}$ " (including Al.gasket, for ICF SS)	11	2	027L4812
Nippel for side connection G $\frac{3}{8}$ " - G $\frac{1}{2}$ " (including Al.gasket, for ICF with DIN and ANSI connections only)	12	2	027L1266
Nippel for side connection G $\frac{3}{8}$ " - G $\frac{1}{2}$ " (including Al.gasket, for ICF SS)	12	2	027L4810
Blind for side connection G $\frac{3}{8}$ " (including Al.gasket, for ICF with DIN and ANSI connections only)	13	2	027L1265
Blind for side connection G $\frac{3}{8}$ " (including Al.gasket, for ICF SS)	13	2	027L4811
Sight glass NPT $\frac{3}{8}$ " (for ICF with SOC connections only)	11	2	027L1269
Blind for side connection NPT $\frac{3}{8}$ " (for ICF with SOC connections only)	13	2	027L1268
$\frac{1}{2}$ in to DIN DN6 pipe weld connector for ICF	14	2	148B4184
$\frac{1}{2}$ in to DIN DN6 pipe weld connector for ICF SS	14	2	148B4689

**All modules include a gasket and four bolts when supplied.**

## Data sheet – Spare parts and accessories

### Valve station ICF 50, ICF 65



Description	Fig #	Qty.	Code no.
<b>Shut-off valve module</b>			
SVA-S 50 – Stop valve module	1	1	148B5728
SVA-S 65 – Stop valve module	1	1	148B5822
<b>Manual regulating valve module</b>			
REG-SB 50 – Manual regulating module	2	1	148B5734
REG-SB 65 – Manual regulating module	2	1	148B5824
<b>Strainer insert (50)</b>			
Filter element 100µ (150 mesh)	3	1	148H3157
Filter element 150µ (100 mesh)	3	1	148H3130
Filter element 250µ (72 mesh)	3	1	148H3138
Filter element 500µ (38 mesh)	3	1	148H3144
Pleated filter element 150µ (100 mesh)	3	1	148H3179
Pleated filter element 250µ (72 mesh)	3	1	148H3184
Pleated filter element 500µ (38 mesh)	3	1	148H3189
<b>Pilot operated valve module</b>			
ICS 50 – Top cover 3 pilots	4	1	027H5173
ICS 65 – Top cover 3 pilots	4	1	027H6173
ICS 50 – Function module	5	1	027H5200
ICS 50-32 – Function module	5	1	027H5211
ICS 50-40 – Function module	5	1	027H5212
ICS 65 – Function module	5	1	027H6200
ICS 65-40 – Function module	5	1	027H6212
ICS 80 – Function module	5	1	027H8200

Description	Fig #	Qty.	Code no.
<b>Motor operated valve module</b>			
ICM 50-A – Motor valve module	6	1	027H5180
ICM 50-B – Motor valve module	6	1	027H5181
ICM 65-A – Motor valve module	6	1	027H6180
ICM 65-B – Motor valve module	6	1	027H6181
ICAD 1200A – Actuator with 1.5 m (60 in.) cables	7	1	027H9077
ICAD 1200A – Actuator without cables	7	1	027H9122
<b>2-step solenoid valve module</b>			
ICLX 50 – 2-step solenoid valve module	8	1	027H5204 *
ICLX 65 – 2-step solenoid valve module	8	1	027H6204 *
<b>Welding connections</b>			
M33 to DIN 25 mm Pipe	9	1	027H5544
M33 to ANSI 1 in. Pipe	9	1	027H5546
<b>Defrost drain connection kit</b>			
M33 - G 3/8 in.	10	1	027H5547
M33 - NPT 3/8 in.	10	1	027H5548
<b>Defrost drain blind plug</b>			
M33 x 1.5 in.	11	2	148F1111

\* Including external pilot connection, damping orifice and NC/NO pilot valves.  
Not assembled.

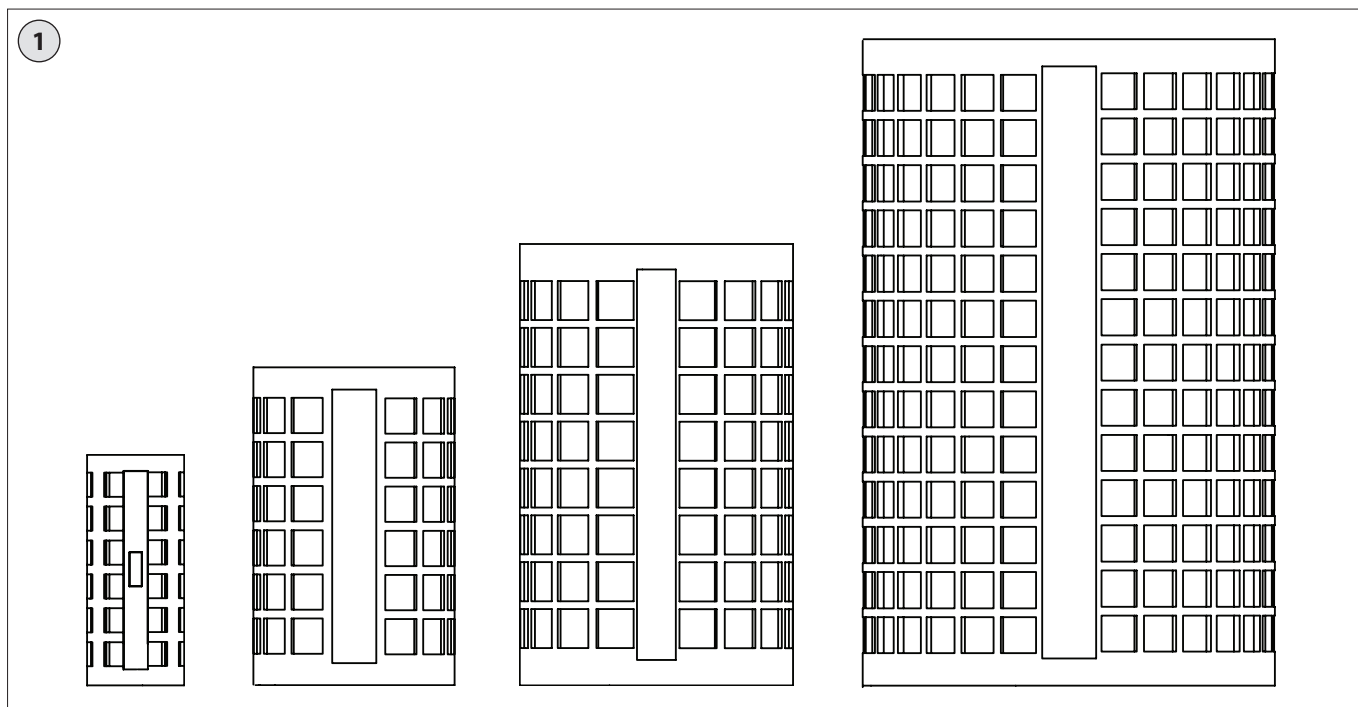
For ordering of Inspection kits, Repair kits and Overhaul kits for the ICF 50/65 control modules; please refer to the spare parts and accessories data sheet for ICS, ICM and ICLX (DKRCI.PY.HSO.C).

For ordering of Inspection kits, Repair kits and Overhaul kits for the ICF 50/65 Stop-, Regulating-, Filter-, Check- and Stop/Check modules please refer to the spare parts and accessories data sheet for SVL Flexline (DKRCI.PY.K00.A).



## Data sheet – Spare parts and accessories

### Strainer inserts and accessories for FIA strainers



Size	Description	fig. #	Qty.	Code no.
------	-------------	--------	------	----------

#### Filter insert - plain

FIA 15	100µ / 150 mesh	1	1	148H3122
FIA 20	100µ / 150 mesh	1	1	148H3122
FIA 25	100µ / 150 mesh	1	1	148H3123
FIA 32	100µ / 150 mesh	1	1	148H3123
FIA 40	100µ / 150 mesh	1	1	148H3123
FIA 50	100µ / 150 mesh	1	1	148H3157

#### Filter insert - plain

FIA 15	150µ / 100 mesh	1	1	148H3124
FIA 20	150µ / 100 mesh	1	1	148H3124
FIA 25	150µ / 100 mesh	1	1	148H3125
FIA 32	150µ / 100 mesh	1	1	148H3125
FIA 40	150µ / 100 mesh	1	1	148H3125
FIA 50	150µ / 100 mesh	1	1	148H3130
FIA 65	150µ / 100 mesh	1	1	148H3131
FIA 80	150µ / 100 mesh	1	1	148H3119
FIA 100	150µ / 100 mesh	1	1	148H3132
FIA 125	150µ / 100 mesh	1	1	148H3133
FIA 150	150µ / 100 mesh	1	1	148H3134
FIA 200	150µ / 100 mesh	1	1	148H3135

#### Filter insert - plain

FIA 15	250µ / 72 mesh	1	1	148H3126
FIA 20	250µ / 72 mesh	1	1	148H3126
FIA 25	250µ / 72 mesh	1	1	148H3127
FIA 32	250µ / 72 mesh	1	1	148H3127
FIA 40	250µ / 72 mesh	1	1	148H3127
FIA 50	250µ / 72 mesh	1	1	148H3138
FIA 65	250µ / 72 mesh	1	1	148H3139
FIA 80	250µ / 72 mesh	1	1	148H3120
FIA 100	250µ / 72 mesh	1	1	148H3140
FIA 125	250µ / 72 mesh	1	1	148H3141
FIA 150	250µ / 72 mesh	1	1	148H3142
FIA 200	250µ / 72 mesh	1	1	148H3143

#### Filter insert - plain

FIA 15	500µ / 38 mesh	1	1	148H3128
FIA 20	500µ / 38 mesh	1	1	148H3128
FIA 25	500µ / 38 mesh	1	1	148H3129
FIA 32	500µ / 38 mesh	1	1	148H3129
FIA 40	500µ / 38 mesh	1	1	148H3129
FIA 50	500µ / 38 mesh	1	1	148H3144
FIA 65	500µ / 38 mesh	1	1	148H3145
FIA 80	500µ / 38 mesh	1	1	148H3121
FIA 100	500µ / 38 mesh	1	1	148H3146
FIA 125	500µ / 38 mesh	1	1	148H3147
FIA 150	500µ / 38 mesh	1	1	148H3148
FIA 200	500µ / 38 mesh	1	1	148H3149

Size	Description	fig. #	Qty.	Code no.
------	-------------	--------	------	----------

#### Filter insert - pleated

FIA 15	150µ / 100 mesh	1	1	148H3303
FIA 20	150µ / 100 mesh	1	1	148H3303
FIA 25	150µ / 100 mesh	1	1	148H3304
FIA 32	150µ / 100 mesh	1	1	148H3304
FIA 40	150µ / 100 mesh	1	1	148H3304
FIA 50	150µ / 100 mesh	1	1	148H3179
FIA 65	150µ / 100 mesh	1	1	148H3180
FIA 80	150µ / 100 mesh	1	1	148H3181
FIA 100	150µ / 100 mesh	1	1	148H3182
FIA 125	150µ / 100 mesh	1	1	148H3183
FIA 150	150µ / 100 mesh	1	1	148H3226
FIA 200	150µ / 100 mesh	1	1	148H3297

#### Filter insert - pleated

FIA 15	250µ / 72 mesh	1	1	148H3363
FIA 20	250µ / 72 mesh	1	1	148H3363
FIA 25	250µ / 72 mesh	1	1	148H3269
FIA 32	250µ / 72 mesh	1	1	148H3269
FIA 40	250µ / 72 mesh	1	1	148H3269
FIA 50	250µ / 72 mesh	1	1	148H3184
FIA 65	250µ / 72 mesh	1	1	148H3185
FIA 80	250µ / 72 mesh	1	1	148H3186
FIA 100	250µ / 72 mesh	1	1	148H3187
FIA 125	250µ / 72 mesh	1	1	148H3188

#### Filter insert - pleated

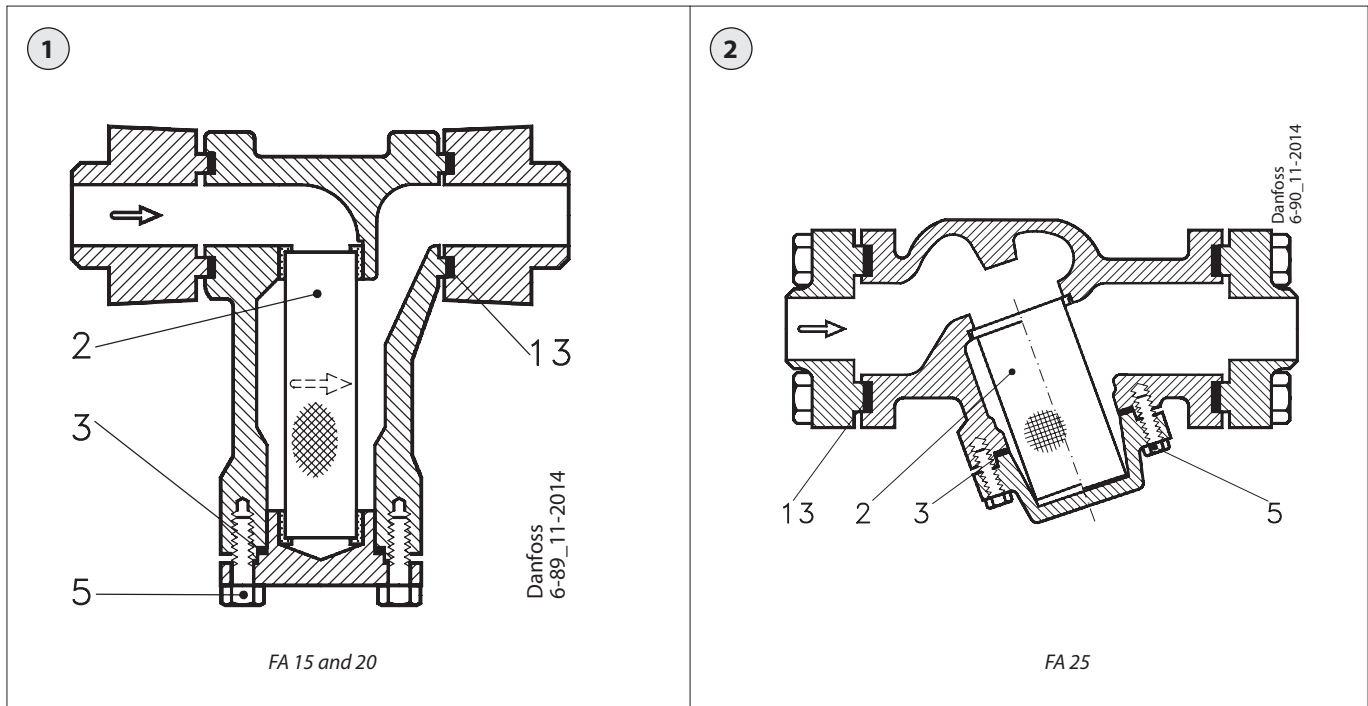
FIA 50	500µ / 38 mesh	1	1	148H3189
FIA 65	500µ / 38 mesh	1	1	148H3190
FIA 80	500µ / 38 mesh	1	1	148H3191
FIA 100	500µ / 38 mesh	1	1	148H3192
FIA 125	500µ / 38 mesh	1	1	148H3193

#### Other accessories

FIA 80-100	Magnet insert	-	1	148H3447
FIA 125-200	Magnet insert	-	1	148H3448
FIA 15-20	Filter element µ150 with removable element µ50 for the first start up	-	1	148H3301
FIA 25-40	Filter element µ150 with removable element µ50 for the first start up	-	1	148H3302
FIA 50	Filter bag	-	1	148H3150
FIA 65	Filter bag	-	1	148H3151
FIA 80	Filter bag	-	1	148H3152
FIA 100	Filter bag	-	1	148H3153
FIA 125	Filter bag	-	1	148H3154
FIA 150	Filter bag	-	1	148H3155
FIA 200	Filter bag	-	1	148H3156
FIA 50 - 300	Purge valve complete	-	1	148B3745
FIA 50 - 300	Blind nut with gasket	-	1	148H3450

Data sheet – Spare parts and accessories

**Strainers, non welded  
Type FA**



Description	Pos. #	Qty.	Code no.
<b>Repair kit, figs. 1 and 2, FA 15</b>			
Strainer	2	1	006-0331
Cover gasket	3	1	
Screw	5	4*	
<b>Repair kit, figs. 1 and 2, FA 20</b>			
Strainer	2	1	006-0332
Cover gasket	3	1	
Screw	5	4*	
<b>Repair kit, figs. 1 and 2, FA 25</b>			
Strainer	2	1	006-0333
Cover gasket	3	1	
Screw	5	4*	

Description	Pos. #	Qty.	Code no.
<b>Seal kit, figs. 1 and 2, FA 15</b>			
Cover gasket	3	1	006-0334
Flange gasket	13	2	
<b>Seal kit, figs. 1 and 2, FA 20</b>			
Cover gasket	3	1	006-0335**
Flange gasket	13	2	
<b>Seal kit, figs. 1 and 2, FA 25</b>			
Cover gasket	3	1	006-0336
Flange gasket	13	2	
<b>Seal kit, figs. 1</b>			
Cover gasket	3	1	006-0346***
Flange gasket	13	2	

\*) For FA 25: 6 pcs.

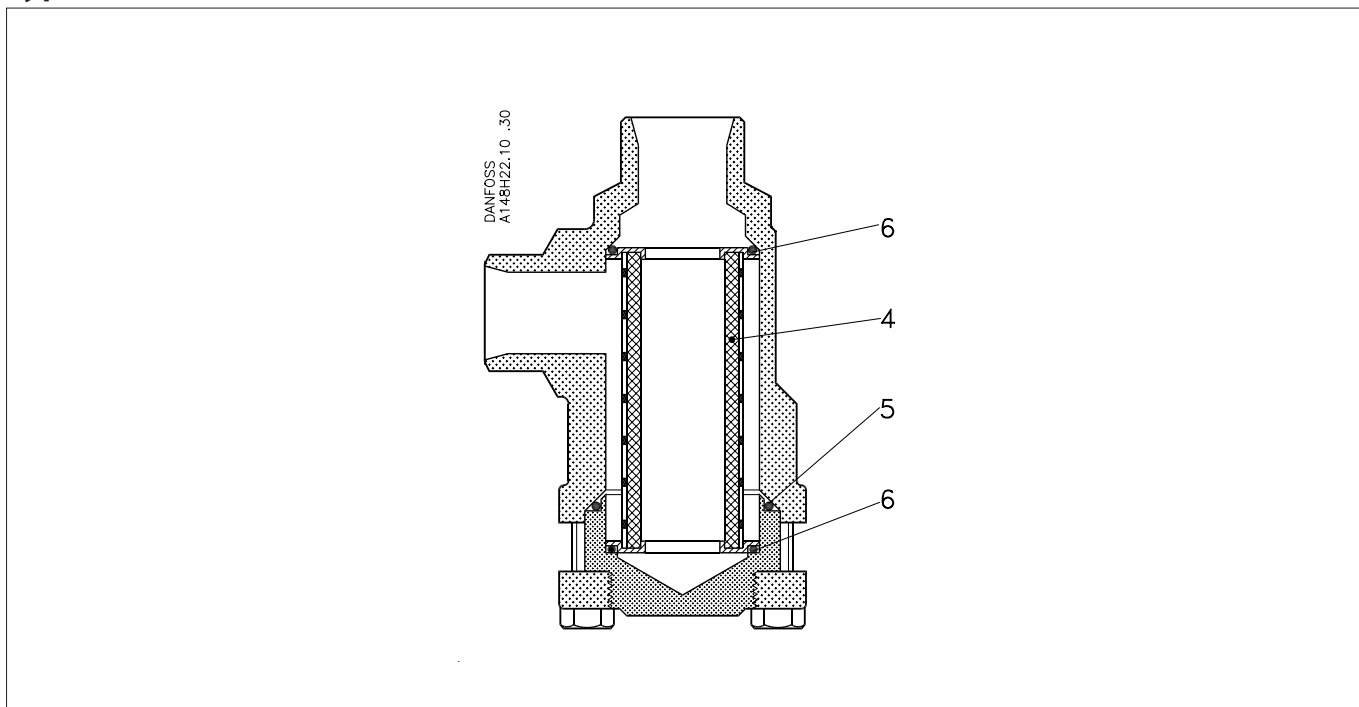
\*\*) For FA 20 strainers, for fitting in pipelines.

\*\*\*) For FA 20 strainers, for direct fitting on valve.

Data sheet – Spare parts and accessories

**Filters**

**Type FIL 10-40 (3/8- 1 1/2 in.) XX0-XX1-XX2-XX3**

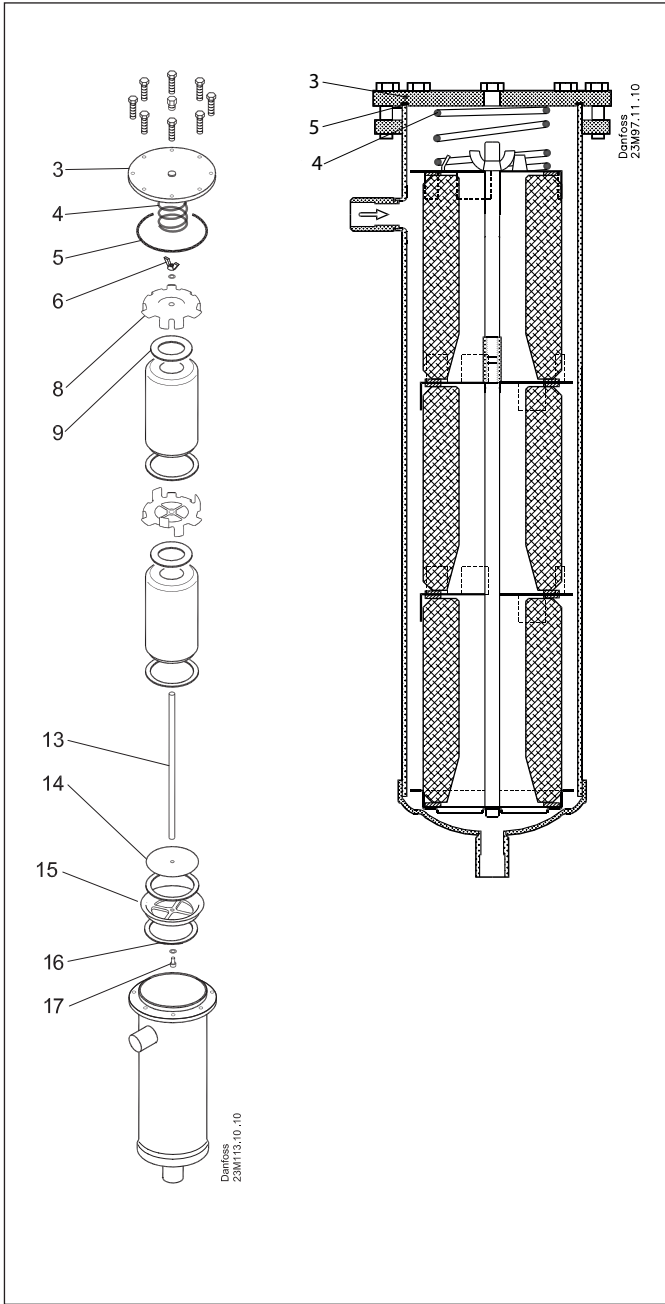


Description	Size	Pos. #	Qty.	Code no.
<b>Repair kit, complete set of gaskets</b>				
O-ring for housing/bonnet	Medium (10-20)	5	1	<b>2453+028</b>
O-rings for filter	Medium (10-20)	6	1	
O-ring for housing/bonnet	Large (25-40)	5	1	<b>2453+029</b>
O-rings for filter	Large (25-40)	6	1	

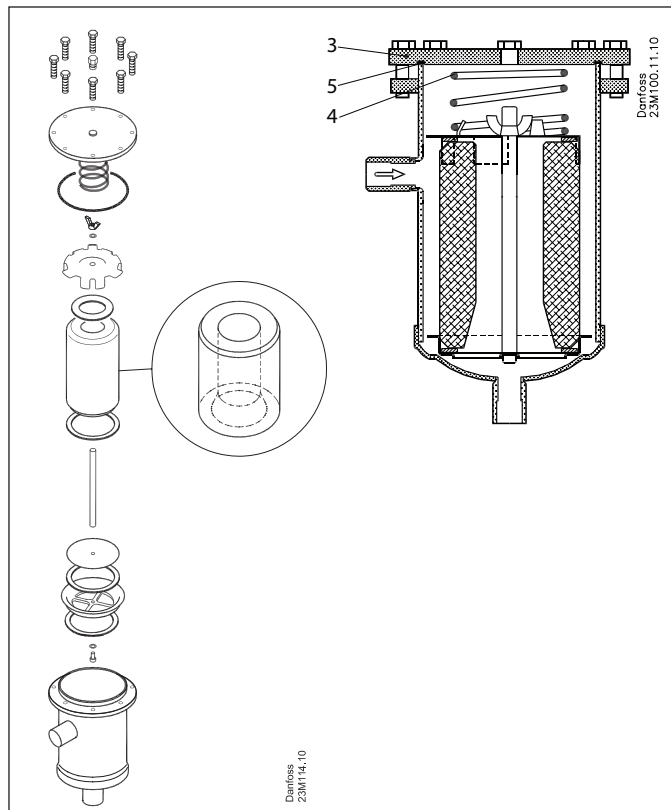
Description	Size	Pos. #	Qty.	Code no.
<b>Filter element</b>				
Filter element 150 µm, type XX1	Medium (10-20)	4	1	<b>148H3002</b>
Filter element 150 µm, type XX1	Large (25-40)	4	1	<b>148H3003</b>
Filter element 250 µm, type XX2	Medium (10-20)	4	1	<b>148H3004</b>
Filter element 250 µm, type XX2	Large (25-40)	4	1	<b>148H3005</b>
Filter element 500 µm, type XX3	Large (25-40)	4	1	<b>148H3007</b>

Data sheet – Spare parts and accessories

**ELIMINATOR® filter drier with replaceable solid core**  
**Type DCR**

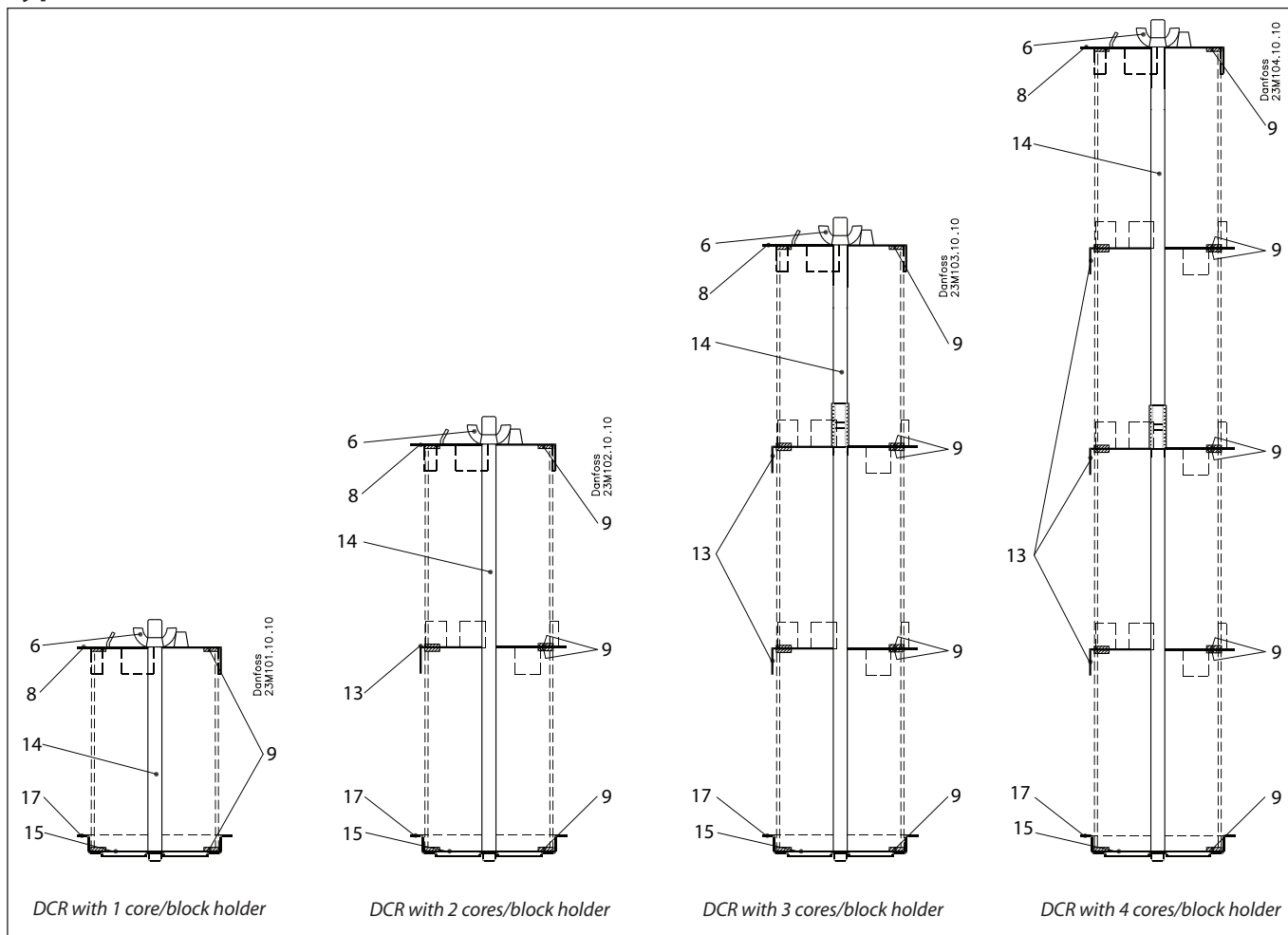


Pos.	Description	Qty.	Code no.
<b>Top cover gasket</b>			
5	$\varnothing 121.8 \times \varnothing 113.6 \times 0.8$ mm Suitable for: Danfoss DCR, Alco ADKS, Sporlan C, Catch All, Henry V, Parker P, Carly BCY	20	<b>023U0055</b>
		10	<b>023U2015</b>
5	$\varnothing 115.5 \times \varnothing 107.5 \times 1.6$ mm Suitable for: Hansa GT, Castel 441	20	<b>023U0056</b>
5	$\varnothing 123.5 \times \varnothing 115.0 \times 1.6$ mm Suitable for: KMP K	20	<b>023U0057</b>
5	$\varnothing 121.8 \times \varnothing 113.6 \times 1.5$ mm Heavy Duty and NH <sub>3</sub>	20	<b>023U0058</b>
<b>Spring</b>			
4	$\varnothing 55.0 \times \varnothing 47.0$ mm	8	<b>023U2019</b>
<b>Felt gasket</b>			
9	$\varnothing 95.5 \times \varnothing 45.5 \times 2$ mm Suitable for: Danfoss DCR	20	<b>023U2018</b>
16	$\varnothing 95.5 \times \varnothing 78 \times 2$ mm Suitable for: Danfoss DCR	20	<b>023U2016</b>
<b>Top cover</b>			
3	With plug 1/4" NPT	1	<b>023Z9906</b>
3	Without plug	1	<b>023Z9907</b>



Data sheet – Spare parts and accessories

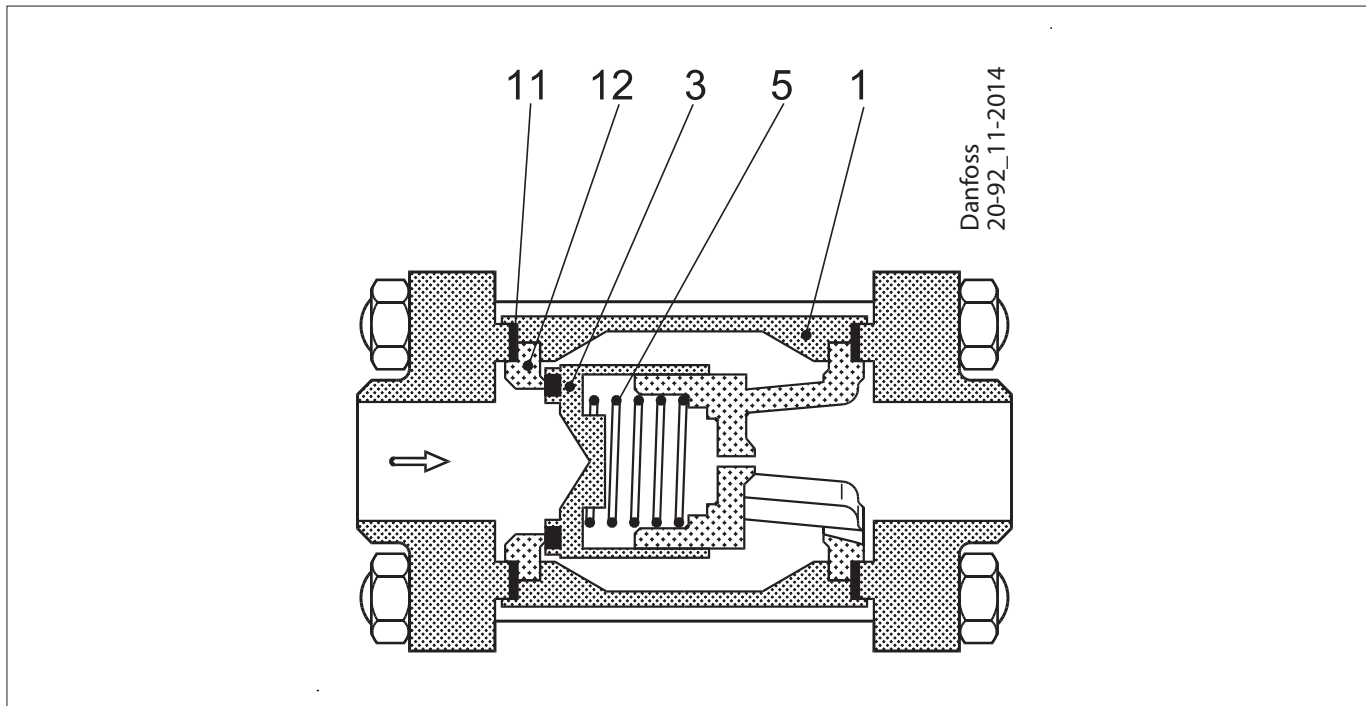
**ELIMINATOR® filter drier with replaceable solid core**  
**Type DCR**



Pos.	Description	1-core	2-core	3-core	4-core
<b>1 - 4 core/block holder</b>					
6	Wing nut	<b>023Z9030</b>	<b>023Z9031</b>	<b>023Z9032</b>	<b>023Z9033</b>
8	Top plate				
9	Felt gasket				
13	Core plate				
14	Distance rod				
15	Wire mesh				
17	Core holder				

Data sheet – Spare parts and accessories

**Check valves**  
**Type NRVA**

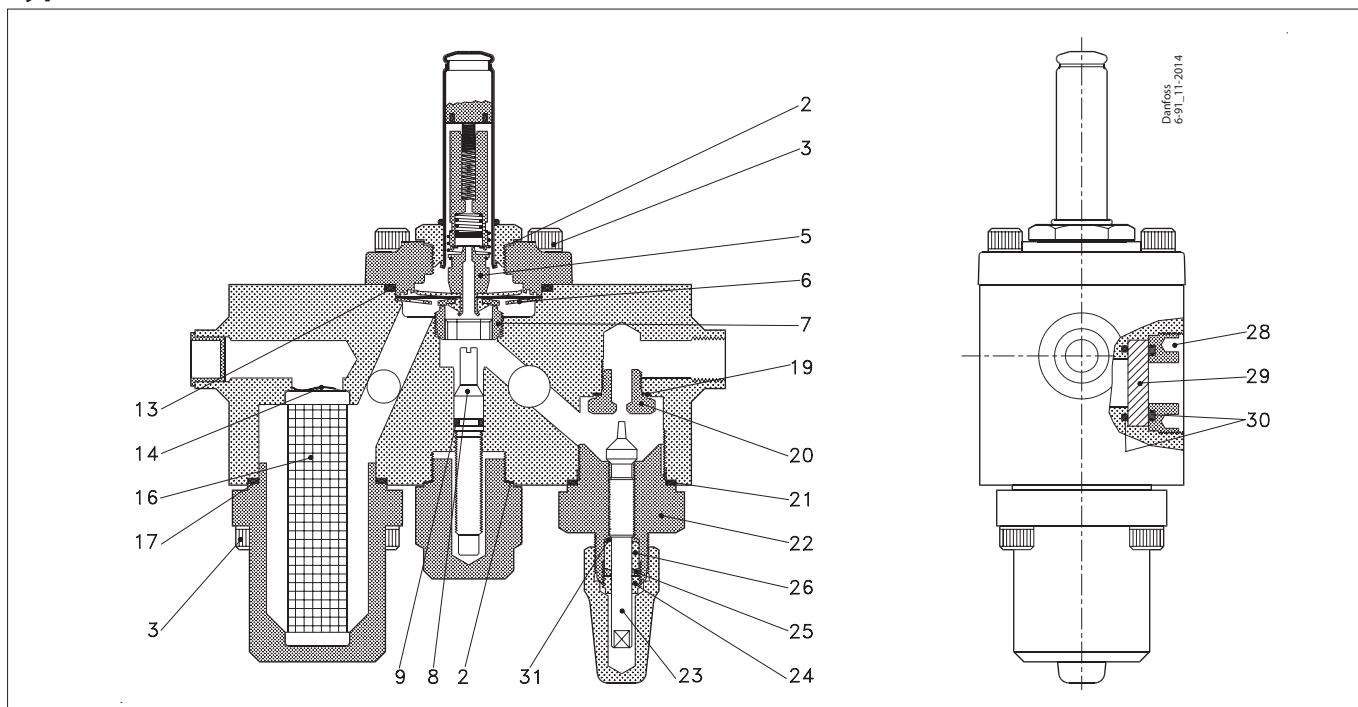


Description	Pos. #	Qty.	Code no.
<b>Piston assembly</b>			
Piston assembly NRVA 15/20	3	1	020-2104
Piston assembly NRVA 25/32	3	1	020-2105
Piston assembly NRVA 40/50	3	1	020-2106
Piston assembly NRVA 65	3	1	020-2107
<b>Valve seat</b>			
Valve seat NRVA 15/20	12	1	020-2127
Valve seat NRVA 25/32	12	1	020-2128
Valve seat NRVA 40/50	12	1	020-2129
Valve seat NRVA 65	12	1	020-2130
<b>Spring 0.12 bar (1.74 psi)</b>			
Spring NRVA 15/20	5	1	020-2137
Spring NRVA 25/32	5	1	020-2138
Spring NRVA 40/50	5	1	020-2139
Spring NRVA 65	5	1	020-2140
<b>Spring 0.30 bar (4.35 psi)</b>			
Spring NRVA 15/20	5	1	020-2307
Spring NRVA 25/32	5	1	020-2317
Spring NRVA 40/50	5	1	020-2327
Spring NRVA 65	5	1	020-2337

Description	Pos. #	Qty.	Code no.
<b>Complete valve without flanges</b>			
Valve assembly NRVA 15/20	1	1	020-2020
Flange gasket NRVA 15/20	11	2	
Valve assembly NRVA 25/32	1	1	020-2022
Flange gasket NRVA 25/32	11	2	
Valve assembly NRVA 40/50	1	1	020-2024
Flange gasket NRVA 40/50	11	2	
Valve assembly NRVA 65	1	1	020-2026
Flange gasket NRVA 65	11	2	
<b>Flange gaskets</b>			
Gaskets NRVA 15/20	11	2	020-2133
Gaskets NRVA 25/32	11	2	027F2176
Gaskets NRVA 40/50	11	2	027F2178
Gaskets NRVA 65	11	2	020-2136

## Data sheet – Spare parts and accessories

### Block valves Types BV 1 and BV 2



Description	Pos. #	Qty.	Code no.
<b>Spare part set, DN 10</b>			
Alu gasket, dia.12.0 × dia.16.5 × 0.5 mm	19	1	006-1270
Orifice, dia. 3.0 mm	20	1	
Gasket	21	1	
Stuffing box	22	1	
Spindle, dia. 3.0 mm	23	1	
Packing nut	24	1	
Packing ring	25	1	
Gasket, teflon	26	1	
Disc	31	1	

Description	Pos. #	Qty.	Code no.
<b>Spare part set, DN 15</b>			
Alu gasket, dia.12.0 × dia.16.5 × 0.5 mm	19	1	006-1271
Orifice, dia. 6.0 mm	20	1	
Gasket	21	1	
Stuffing box	22	1	
Spindle, dia. 6.0 mm	23	1	
Packing nut	24	1	
Packing ring	25	1	
Gasket, teflon	26	1	
Disc	31	1	

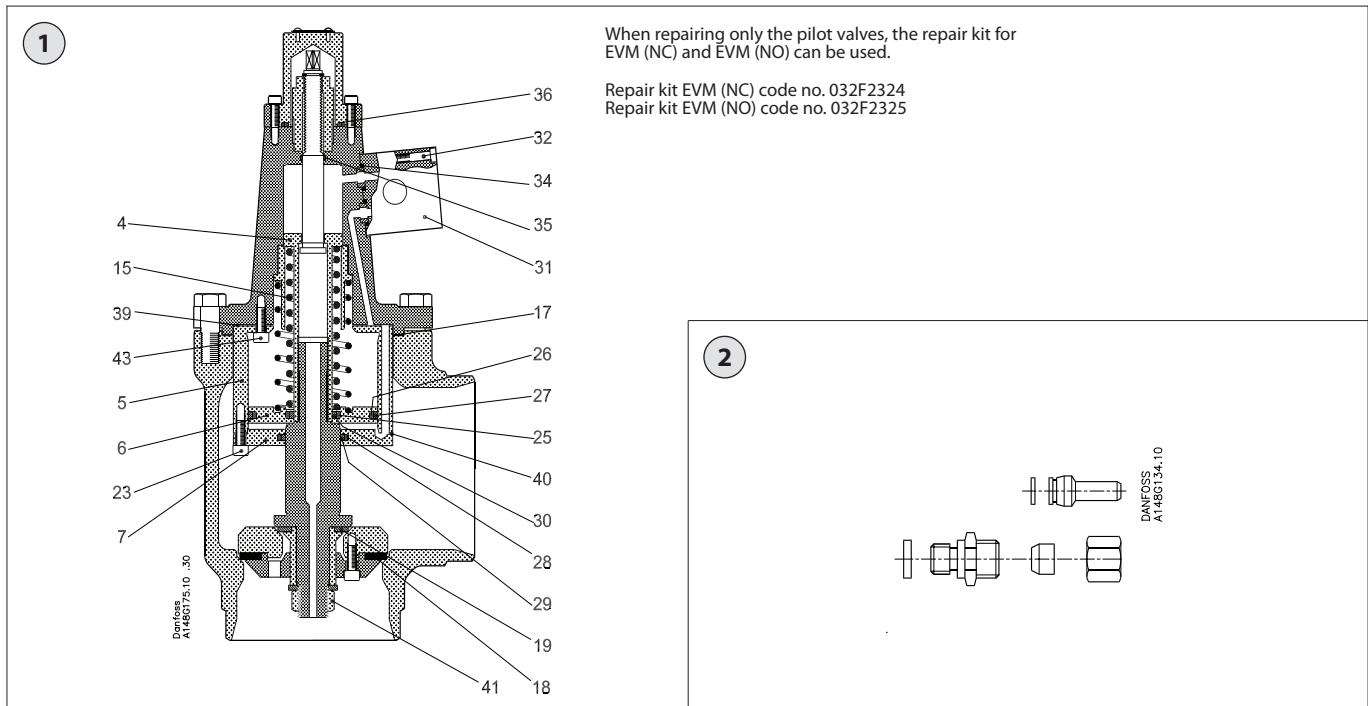
Description	Pos. #	Qty.	Code no.
<b>Spare part set, DN 10/15</b>			
Screws, M6 × 20	3	4	006-1272
Spring washer, dia. 13.2 × dia 18.8 × 0.2 mm	14	1	
Strainer assembly (FA)	16	1	
Gasket dia. 34.5 × dia. 41 × 1.5 mm	17	1	

Description	Pos. #	Qty.	Code no.
<b>Spare part set, DN 10/15</b>			
Packing ring	28	1	006-1273
Glas, dia. 25 mm	29	2	
O-ring, dia. 17.12 × dia. 2.62 mm	30	2	

Description	Pos. #	Qty.	Code no.
<b>Spare part set, DN 10/15</b>			
Alu gasket, dia. 22.1 × dia. 26.5 × 0.5 mm	2	2	006-1274
Screws, M6 × 20	3	4	
Diaphragm/armature assembly	5	1	
Washer	6	1	
Valve seat	7	1	
Manual operating spindle	8	1	
O-ring, dia. 5.28 × dia. 1.78 mm	9	1	
Rubber gasket, dia. 48.7 × dia. 43.5 × 2.6 mm	13	1	

Data sheet – Spare parts and accessories

## 2-step solenoid valves Type GPLX



Size	Description	Pos. #	Qty.	Code no.
<b>Spare part kit, for top/housing and cap (Dismounting set)</b>				
DN 80	Gasket top/housing	17	1	<b>148G3427</b>
	O-ring for cap	36	1	
DN 100	Gasket top/housing	17	1	<b>148G3428</b>
	O-ring for cap	36	1	
DN 125	Gasket top/housing	17	1	<b>148G3429</b>
	O-ring for cap	36	1	
DN 150	Gasket top/housing	17	1	<b>148G3430</b>
	O-ring for cap	36	1	

Size	Description	Pos. #	Qty.	Code no.
<b>Repair kit, complete set of gaskets</b>				
DN 80	Gasket top/housing	17	1	<b>148G3431</b>
	Teflon ring cone step 2	18	1	
	Teflon ring cone step 1	19	1	
	O-ring piston inside	25	1	
	O-ring piston outside	26	1	
	Glide ring piston outside	27	1	
	O-ring guide	28	1	
	Glide ring guide	29	1	
	Glide ring piston inside	30	1	
	O-ring for connection part/ solenoid valve	34	1	
	O-ring for threaded rod	35	1	
	O-ring for cap	36	1	
	Gasket for cylinder top	39	1	
	Gasket for cylinder	40	1	
Nut	41	1		

Size	Description	Pos. #	Qty.	Code no.
<b>Repair kit, complete set of gaskets</b>				
DN 100	Gasket top/housing	17	1	<b>148G3432</b>
	Teflon ring cone step 2	18	1	
	Teflon ring cone step 1	19	1	
	O-ring piston inside	25	1	
	O-ring piston outside	26	1	
	Glide ring piston outside	27	1	
	O-ring guide	28	1	
	Glide ring guide	29	1	
	Glide ring piston inside	30	1	
	O-ring for connection part/ solenoid valve	34	1	
	O-ring for threaded rod	35	1	
	O-ring for cap	36	1	
	Gasket for cylinder top	39	1	
	Gasket for cylinder	40	1	
Nut	41	1		

Size	Description	Pos. #	Qty.	Code no.
<b>Repair kit, complete set of gaskets</b>				
DN 125	Gasket top/housing	17	1	<b>148G3433</b>
	Teflon ring cone step 2	18	1	
	Teflon ring cone step 1	19	1	
	O-ring piston inside	25	1	
	O-ring piston outside	26	1	
	Glide ring piston outside	27	1	
	O-ring guide	28	1	
	Glide ring guide	29	1	
	Glide ring piston inside	30	1	
	O-ring for connection part/ solenoid valve	34	1	
	O-ring for threaded rod	35	1	
	O-ring for cap	36	1	
	Gasket for cylinder top	39	1	
	Gasket for cylinder	40	1	
Nut	41	1		

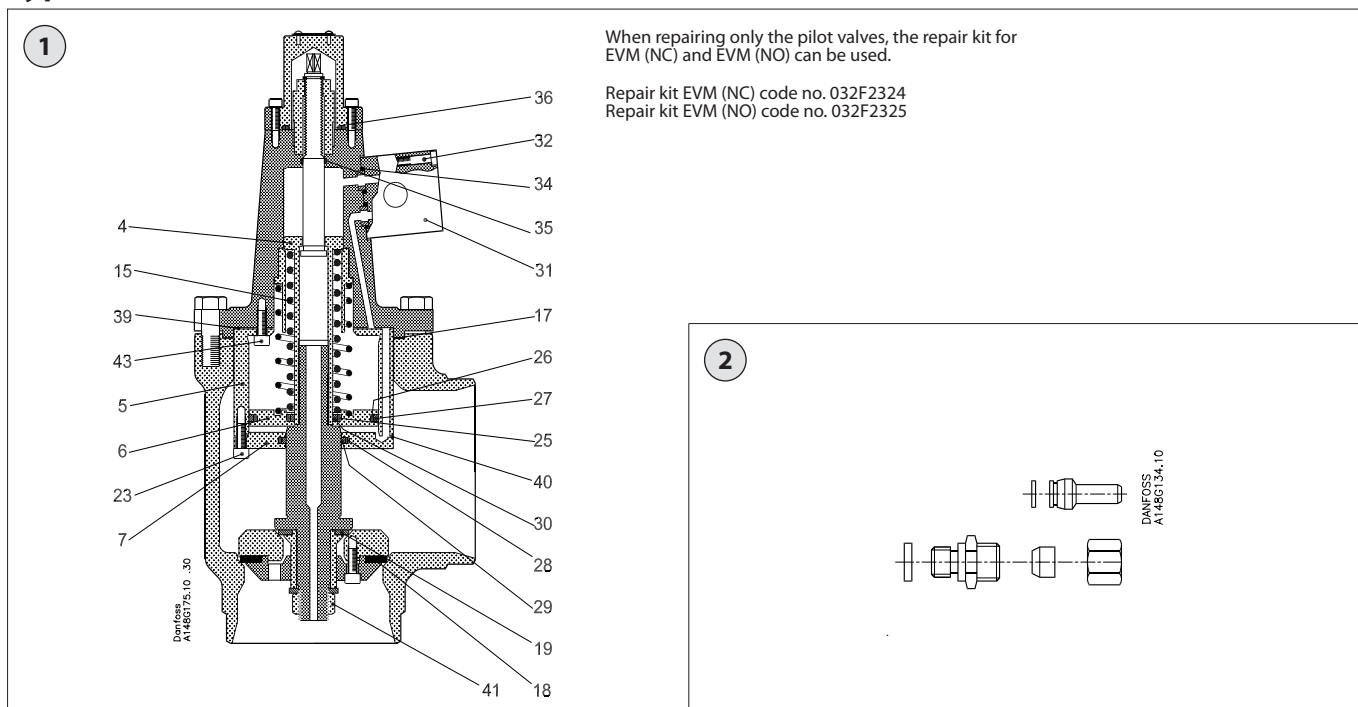
Size	Description	Pos. #	Qty.	Code no.
<b>Repair kit, complete set of gaskets</b>				
DN 150	Gasket top/housing	17	1	<b>148G3434</b>
	Teflon ring cone step 2	18	1	
	Teflon ring cone step 1	19	1	
	O-ring piston inside	25	1	
	O-ring piston outside	26	1	
	Glide ring piston outside	27	1	
	O-ring guide	28	1	
	Glide ring guide	29	1	
	Glide ring piston inside	30	1	
	O-ring for connection part/ solenoid valve	34	1	
	O-ring for threaded rod	35	1	
	O-ring for cap	36	1	
	Gasket for cylinder top	39	1	
	Gasket for cylinder	40	1	
Nut	41	1		

Size	Description	Pos. #	Qty.	Code no.
<b>New Additional Repair kit</b>				
DN 80	Piston rod	4	1	<b>148G0100</b>
	Spring open	15	1	
DN 100	Piston rod	4	1	<b>148G0101</b>
	Spring open	15	1	
DN 125	Piston rod	4	1	<b>148G0102</b>
	Spring open	15	1	
DN 150	Piston rod	4	1	<b>148G0103</b>
	Spring open	15	1	



Data sheet – Spare parts and accessories

## 2-step solenoid valves Type GPLX



When repairing only the pilot valves, the repair kit for EVM (NC) and EVM (NO) can be used.

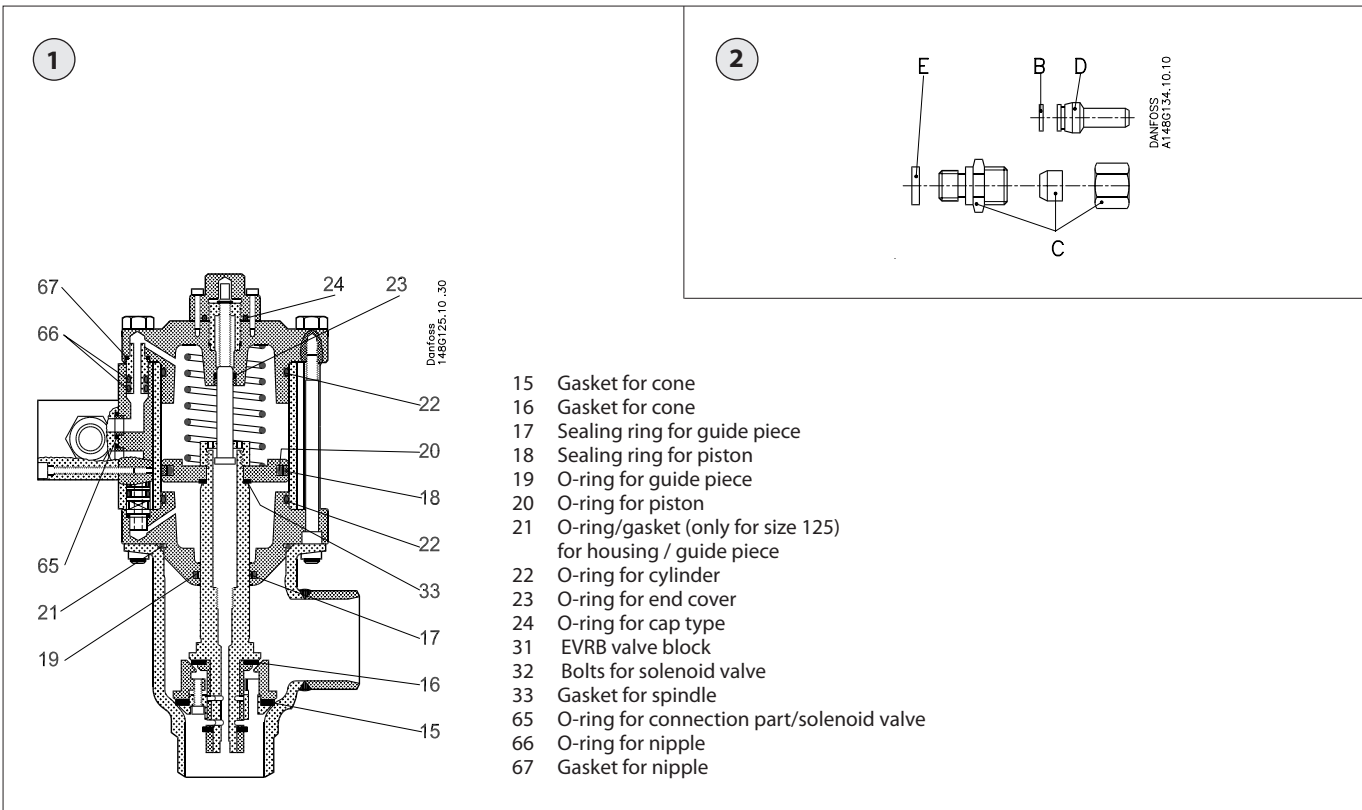
Repair kit EVM (NC) code no. 032F2324  
Repair kit EVM (NO) code no. 032F2325

Size	Description	Pos. #	Qty.	Code no.
<b>New Overhaul kit</b>				
DN 80	Cylinder	5	1	<b>148G0104</b>
	Piston	6	1	
	Guide piece	7	1	
	Screw	23	1	
	Screw	43	1	
DN 100	Cylinder	5	1	<b>148G0105</b>
	Piston	6	1	
	Guide piece	7	1	
	Screw	23	1	
	Screw	43	1	
DN 125	Cylinder	5	1	<b>148G0106</b>
	Piston	6	1	
	Guide piece	7	1	
	Screw	23	1	
DN 150	Cylinder	5	1	<b>148G0107</b>
	Piston	6	1	
	Guide piece	7	1	
	Screw	23	1	
	Screw	43	1	

Size	Description	Pos. #	Qty.	Code no.
<b>Complete pilot valve block type EVRB without coils</b>				
DN 80-150	EVRB valve block	31	1	<b>2453+103</b>
	Bolts for solenoid valve	32	1	
	O-ring for connection part / solenoid valve	34	1	
<b>External/pilot connection complete, fig.2</b>				
DN 80-150	External/pilot connection complete		1	<b>148G3750</b>

Data sheet – Spare parts and accessories

**Gas powered stop valves**  
**Type GPS 40-150 (1½ - 6 in.) type 111**



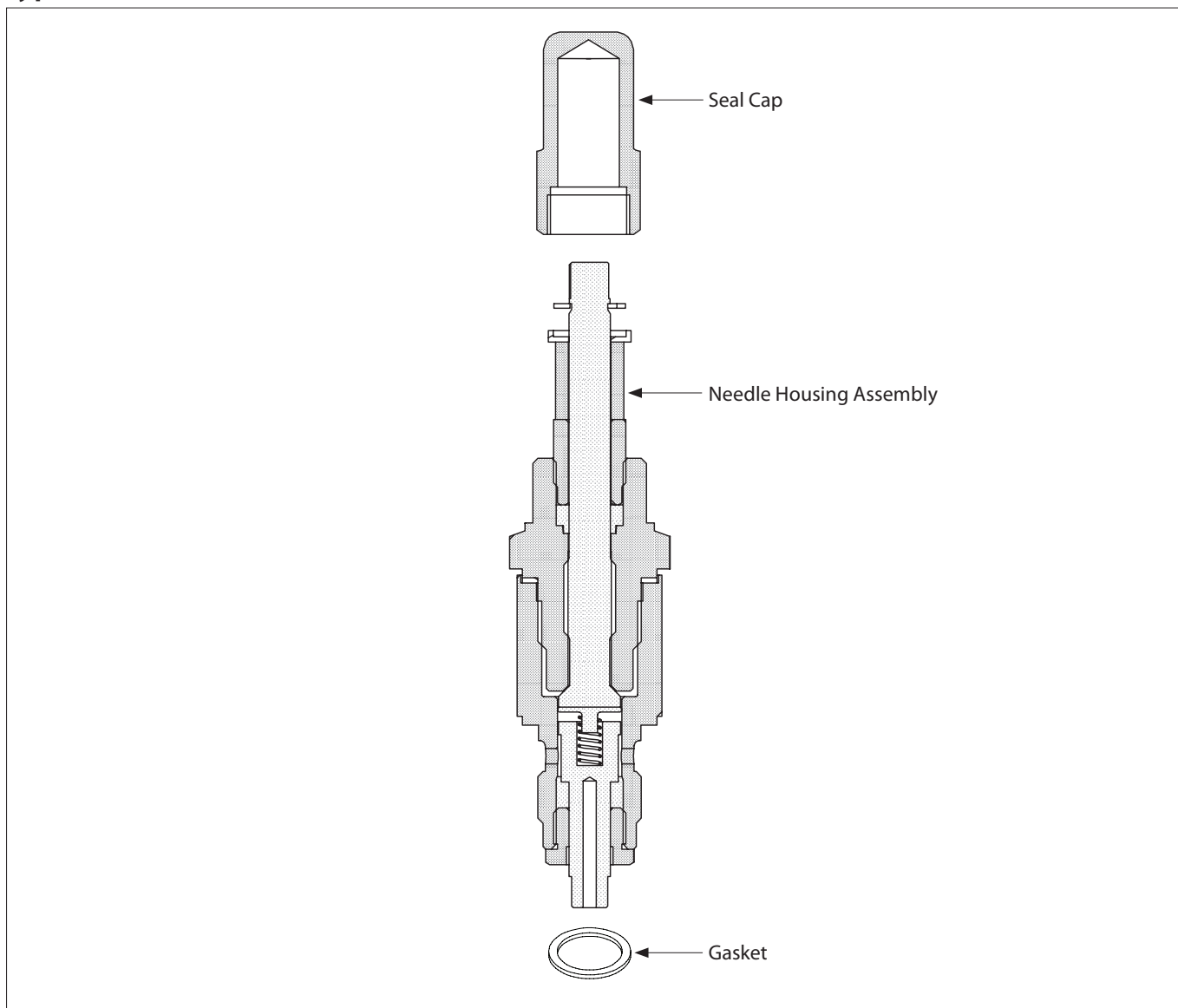
- 15 Gasket for cone
- 16 Gasket for cone
- 17 Sealing ring for guide piece
- 18 Sealing ring for piston
- 19 O-ring for guide piece
- 20 O-ring for piston
- 21 O-ring/gasket (only for size 125) for housing / guide piece
- 22 O-ring for cylinder
- 23 O-ring for end cover
- 24 O-ring for cap type
- 31 EVRB valve block
- 32 Bolts for solenoid valve
- 33 Gasket for spindle
- 65 O-ring for connection part/solenoid valve
- 66 O-ring for nipple
- 67 Gasket for nipple

Description	Pos. #	Qty.	Size	Code no.
<b>Repair kit, complete set of gaskets, Fig. 1</b>				
Repair kit, complete set of gaskets	15, 16, 17, 18, 19, 20, 21, 22, 23, 24, 33, 65, 66, 67	1	Size 40-50 (1½ -2 in.)	<b>2453+047</b>
Repair kit, complete set of gaskets	15, 16, 17, 18, 19, 20, 21, 22, 23, 24, 33, 65, 66, 67	1	Size 65-80 (2½ -3 in.)	<b>2453+048</b>
Repair kit, complete set of gaskets	15, 16, 17, 18, 19, 20, 21, 22, 23, 24, 33, 65, 66, 67	1	Size 100 (4 in.)	<b>2453+049</b>
Repair kit, complete set of gaskets	15, 16, 17, 18, 19, 20, 21, 22, 23, 24, 33, 65, 66, 67	1	Size 125 (5 in.)	<b>2453+055</b>
Repair kit, complete set of gaskets	15, 16, 17, 18, 19, 20, 21, 22, 23, 24, 33, 65, 66, 67	1	Size 150 (6 in.)	<b>2453+068</b>

Description	Pos. #	Qty.	Size	Code no.
<b>Complete pilot valve block type EVRB without coils, Fig. 1</b>				
Complete pilot valve block type EVRB without coils	31, 32, 65	1	Size 40-50 (1½ -2 in.)	<b>2453+103</b>
Complete pilot valve block type EVRB without coils	31, 32, 65	1	Size 65-80 (2½ -3 in.)	<b>2453+103</b>
Complete pilot valve block type EVRB without coils	31, 32, 65	1	Size 100 (4 in.)	<b>2453+103</b>
Complete pilot valve block type EVRB without coils	31, 32, 65	1	Size 125 (5 in.)	<b>2453+103</b>
Complete pilot valve block type EVRB without coils	31, 32, 65	1	Size 150 (6 in.)	<b>2453+103</b>
<b>External/pilot connection complete, Fig. 2.</b>				
External/pilot connection complete		1	Size 40-50 (1½ -2 in.)	<b>148G3750</b>
External/pilot connection complete		1	Size 65-80 (2½ -3 in.)	<b>148H3446</b>
External/pilot connection complete		1	Size 100 (4 in.)	<b>148H3446</b>
External/pilot connection complete		1	Size 125 (5 in.)	<b>148H3446</b>
External/pilot connection complete		1	Size 150 (6 in.)	<b>148H3446</b>

Data sheet – Spare parts and accessories

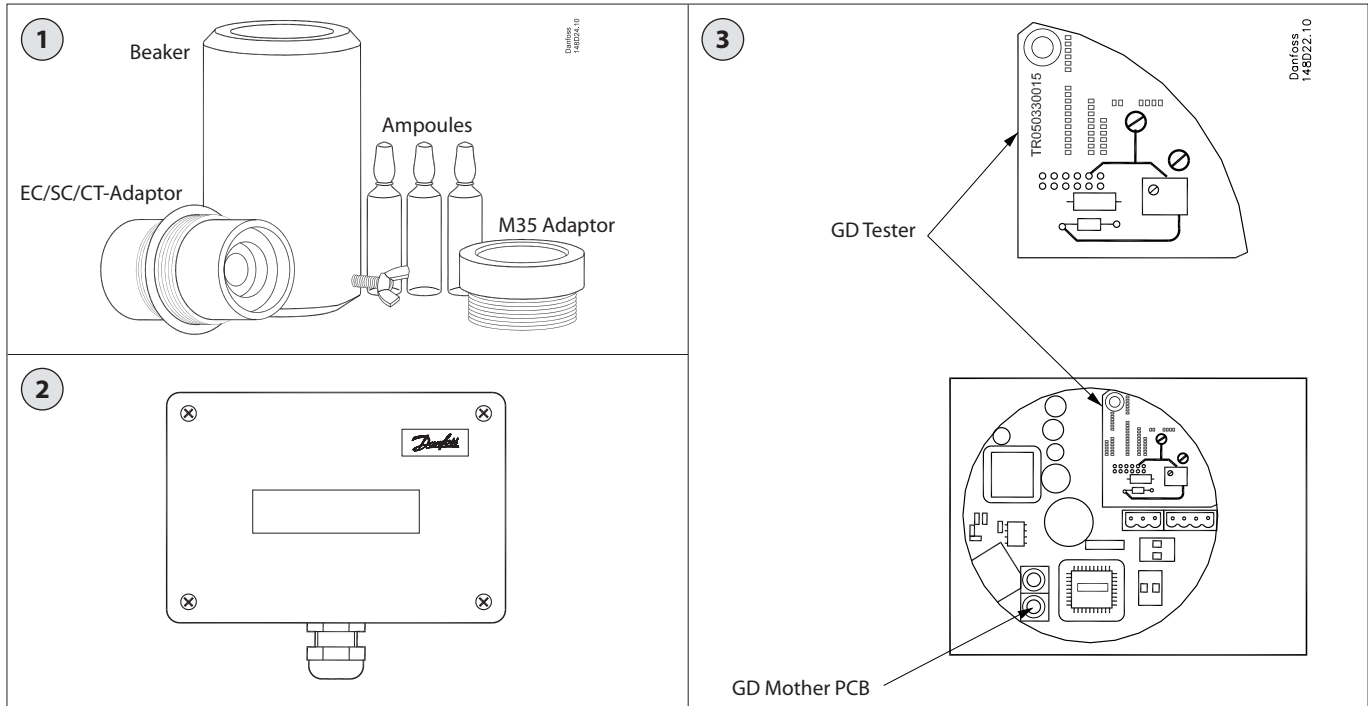
**Dual position solenoid valve**  
**Type ICSH**



For product	Code no.
<b>Repair kit</b>	
ICSH-25	<b>027H8413</b>
ICSH-32	<b>027H8414</b>
ICSH-40	<b>027H8415</b>
ICSH-50	<b>027H8416</b>
ICSH-65	<b>027H8417</b>
ICSH-80	<b>027H8418</b>

Data sheet – Spare parts and accessories

**Gas detecting sensors**  
Types GDA, GDC, GDHC, GDHF, GDH

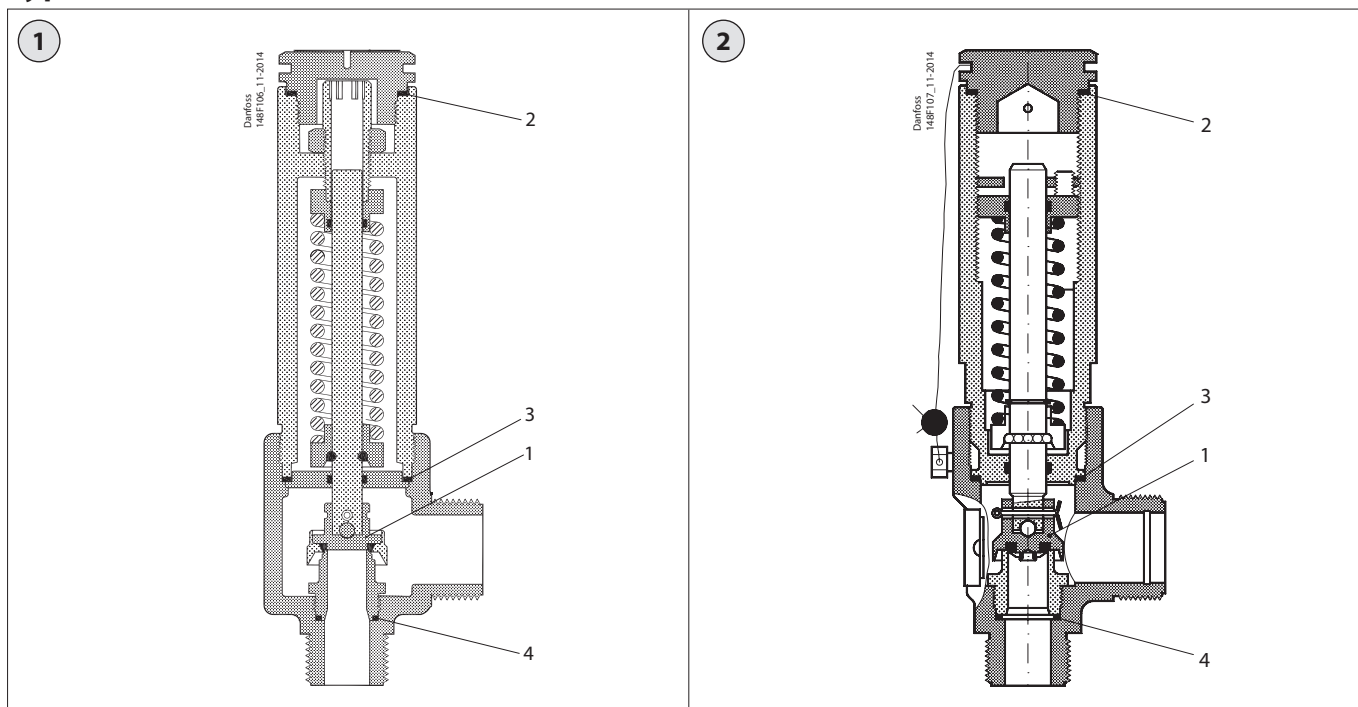


Description	Fig. #	Qty.	Code no.
<b>GD Tester all models. To test mother PCB at Sensor PCB replacement</b>			
Beaker M42	1	1	148H5230
EC/SC/CT-Adapter. Fit Beaker M42	1	1	
M35 Adapter. Fit Beaker M42	1	1	
<b>GD Ampoules</b>			
GD Ampoules 100 ppm ammonia	1	10	148H5234
GD Ampoules 1000 ppm ammonia	1	10	148H5235
GD Ampoules 2000 ppm CO <sub>2</sub>	1	10	148H5236
<b>Remote LCD display</b>			
Remote LCD display IP 41	2	1	148H5238

Description	Fig. #	Qty.	Code no.
<b>GD mother PCB</b>			
GD mother PCB all models	3	1	148H5232
<b>GD Tester for mother PCB</b>			
GD Tester for mother PCB, all models	3	1	148H5239

Data sheet – Spare parts and accessories

## Safety relief valves Types SFA, SFV and POV+BSV



Size	Description	Pos. #	Qty.	Code no.
------	-------------	--------	------	----------

**Fig. 1 - SFA 15 Repair kit**

15	Cone complete	1	1	148F3036
15	Gaskets	2, 3, 4	4	

**Fig. 1 - SFA 15-50 Repair kit**

15	Cone complete	1	1	148F3150
15	Gaskets	2, 3, 4	4	

**SFA - Nipples and gaskets**

15	Nipples + gaskets set for SFV/SFA	-	2	148F3019
----	-----------------------------------	---	---	----------

**Fig. 2 - SFV Repair kit**

20	Cone complete	1	1	2453+082
20	Gaskets	2, 3, 4	4	
25	Cone complete	1	1	2453+083
25	Gaskets	2, 3, 4	4	

**SFV - Flanges and gaskets**

20	Flanges + gaskets set for SFV 20	-	1	148F3020
25	Flanges + gaskets set for SFV 25	-	1	148F3021

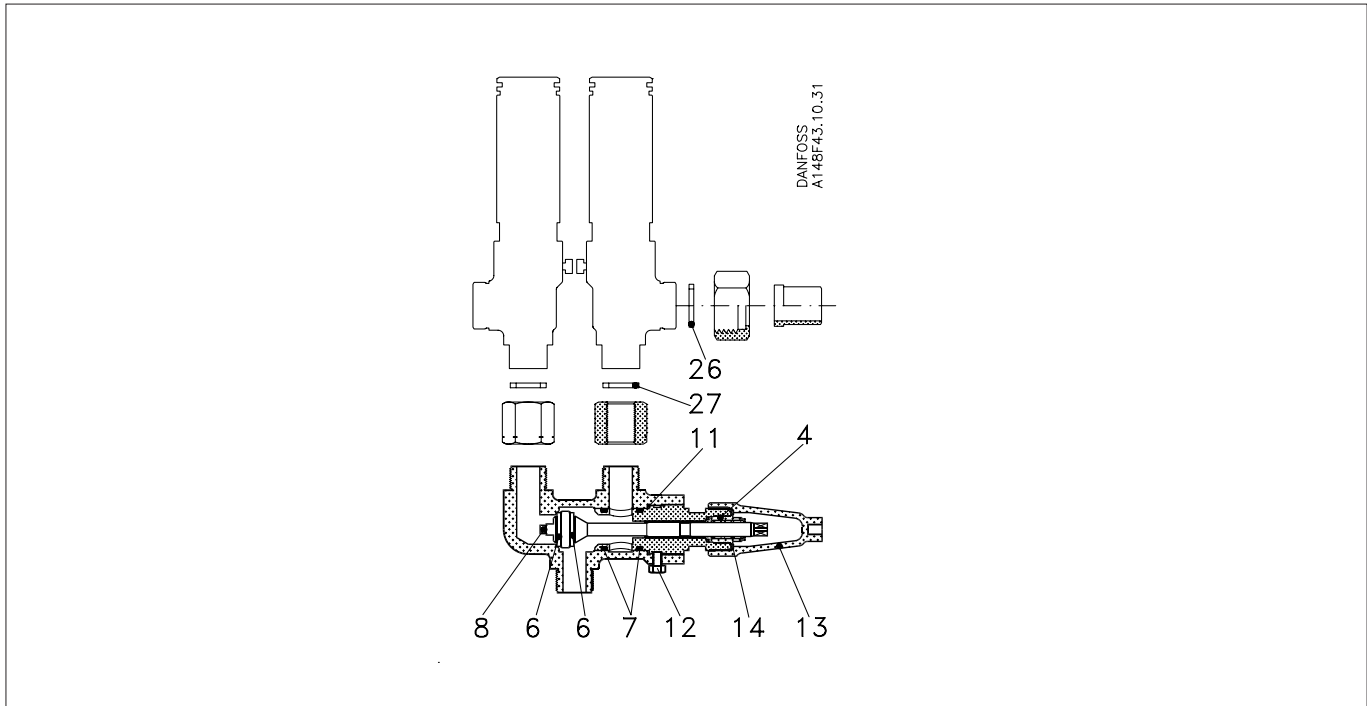
Description	Pos. #	Qty.	Code no.
-------------	--------	------	----------

**POV+BSV fittings**

Set of fittings for system POV+BSV	-	1	148H3453
------------------------------------	---	---	----------

Data sheet – Spare parts and accessories

**Change-over valves**  
**Type DSV 15 (1/2 in.)**



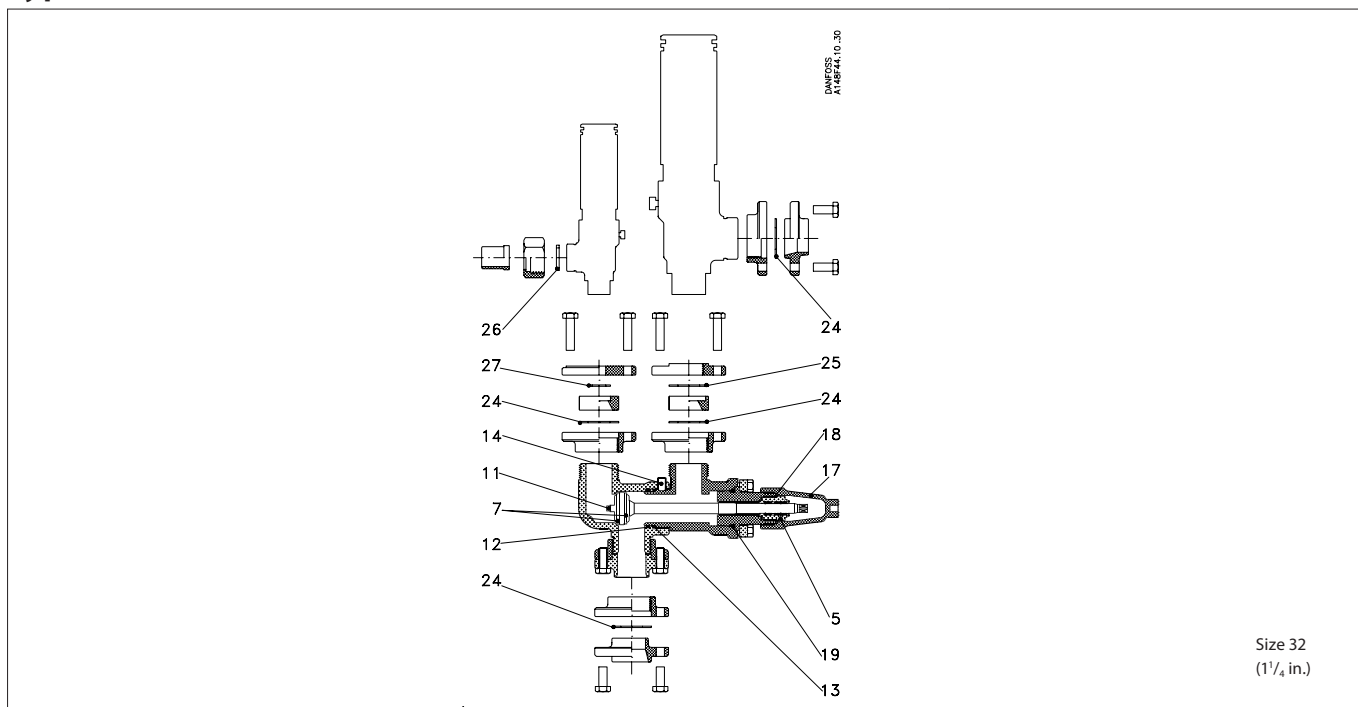
Description	Pos. #	Qty.	Code no.
<b>Spare part kit, for bonnet and cap (dismounting set)</b>			
O-ring for housing/bonnet	7	1	<b>148F3001</b>
Compression ring	11	1	
Lock screw	12	1	
Gasket for cap	14	1	

Description	Pos. #	Qty.	Code no.
<b>Repair kit, complete set of gaskets</b>			
Gaskets complete for packing gland	4	1	<b>2453+054</b>
Gaskets for cone	6	1	
O-ring for housing/bonnet	7	1	
Lock pin	8	1	
Compression ring	11	1	
Lock screw	12	1	
Gasket for cap	14	1	
Gasket for nipple SFV	26	1	
Gasket for nipple SFV/DSV	27	1	

Description	Pos. #	Qty.	Code no.
<b>Packing gland incl. gaskets (with O-rings)</b>			
Packing gland incl. gaskets	4	1	<b>148B4056</b>
<b>Cap incl. gasket</b>			
Cap incl. gasket	13	1	<b>148B4075</b>
<b>Grease for packing gland (tube)</b>			
Grease for packing gland (tube)		1	<b>148H3445</b>

Data sheet – Spare parts and accessories

**Change-over valves**  
**Type DSV 32 (1¼ in.)**



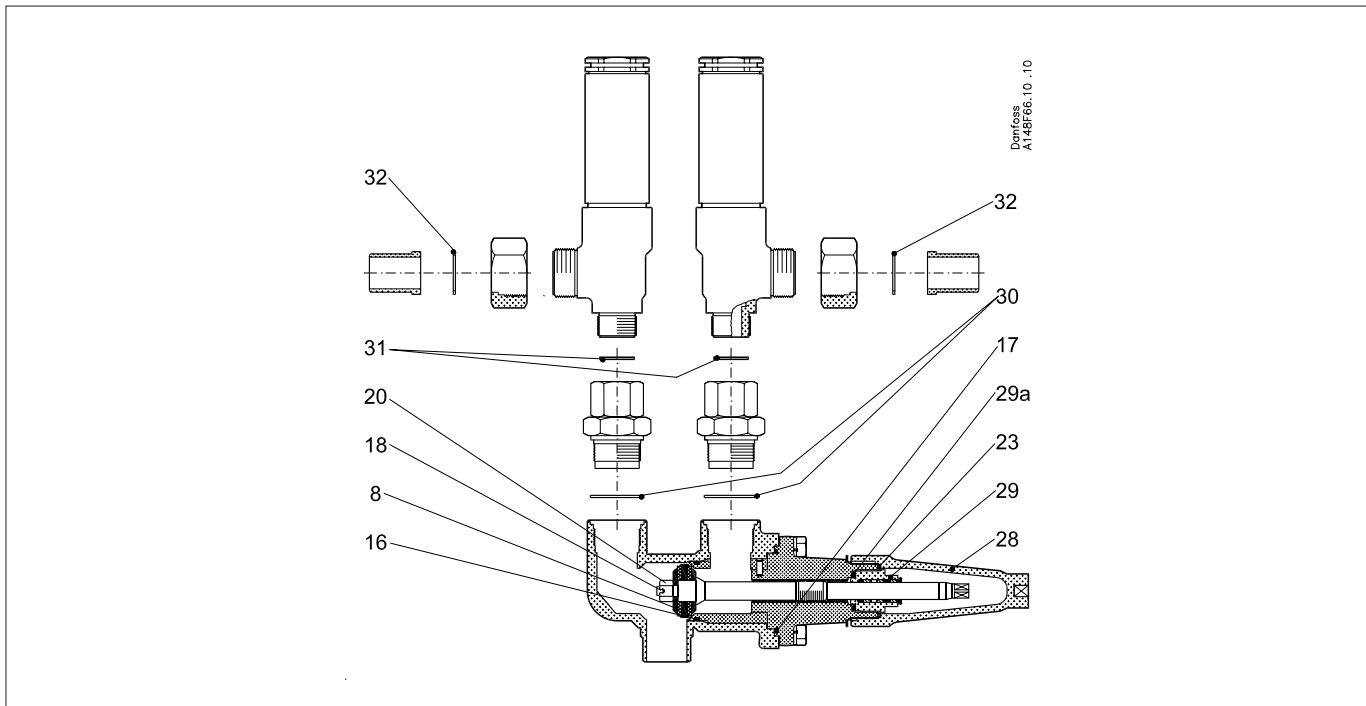
Description	Pos. #	Qty.	Code no.
<b>Repair kit, complete set of gaskets</b>			
Gaskets complete for packing gland	5	1	<b>2453+065</b>
Gaskets for cone	7	1	
Lock pin	11	1	
O-ring for housing	12	1	
Compression ring	13	1	
Lock screw	14	1	
Gasket for cap	18	1	
O-ring for housing/bonnet	19	1	
Gasket for flange SFV 15-20-25/DSV	24	1	
Gasket for flange SFV 20-25/DSV	25	1	
Gasket for nipple SFV 15	26	1	
Gasket for flange SFV 15/DSV	27	1	

Description	Pos. #	Qty.	Code no.
<b>Packing gland incl. gaskets (with O-rings)</b>			
Packing gland incl. gaskets	5	1	<b>148B4032</b>
<b>Cap incl. gasket</b>			
Cap incl. gasket	17	1	<b>148B4076</b>
<b>Grease for packing gland (tube)</b>			
Grease for packing gland (tube)		1	<b>148H3445</b>

Data sheet – Spare parts and accessories

Change-over valves

Type DSV 1, size 25 (1 in.)



Description	Pos. #	Qty.	Code no.
<b>Spare part kit, for bonnet and cap (installation kit)</b>			
O-ring for seat	16	1	148F3022
O-ring for housing/bonnet	17	1	
Gasket for cap	23	1	

<b>Dismounting kit</b>			
Gasket for reducer SFV 15/DSV 1	30	1	148F3029
Gasket for reducer SFV 15/DSV 1	31	1	
Gasket for nipple SFV 15/DSV 1	32	1	

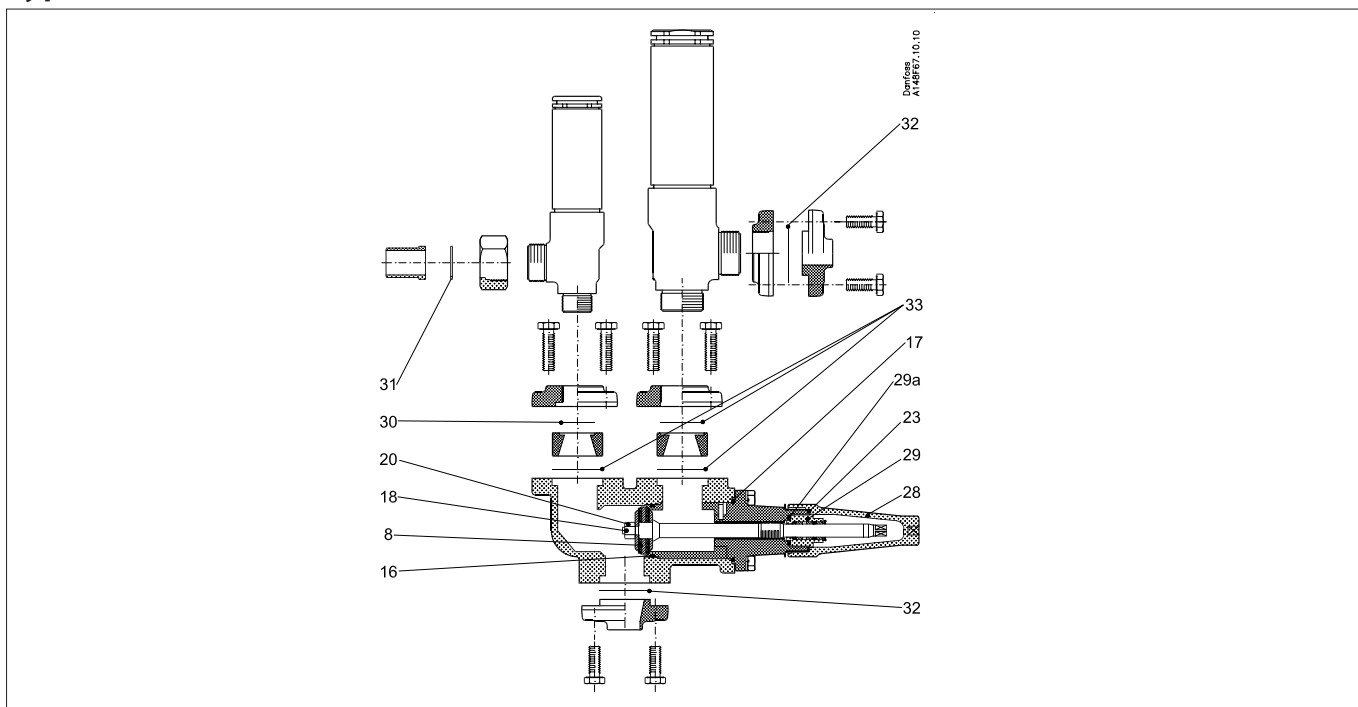
<b>Repair kit, complete set of gaskets</b>			
Gasket for cone	8	1	148F3024
O-ring for seat	16	1	
O-ring for housing/bonnet	17	1	
Lock pin	18	1	
Slotted nut	20	1	
Gasket for cap	23	1	
Gaskets complete for packing gland	29a	1	
Gasket for reducer SFV 15/DSV 1	30	1	
Gasket for reducer SFV 15/DSV 1	31	1	
Gasket for nipple SFV 15/DSV 1	32	1	

Description	Pos. #	Qty.	Code no.
<b>Packing gland incl. gaskets (with O-rings)</b>			
Packing gland incl. gaskets	29	1	148B4032
<b>Cap incl. gasket</b>			
Cap incl. gasket	28	1	148B4076
<b>Grease</b>			
Grease for packing gland (tube)	-	1	148H3445



Data sheet – Spare parts and accessories

## Change-over valves Type DSV 2



Description	Pos. #	Qty.	Code no.
<b>Spare part kit, for bonnet and cap (installation kit)</b>			
O-ring for seat	16	1	<b>148F3023</b>
O-ring for housing/bonnet	17	1	
Gasket for cap	23	1	

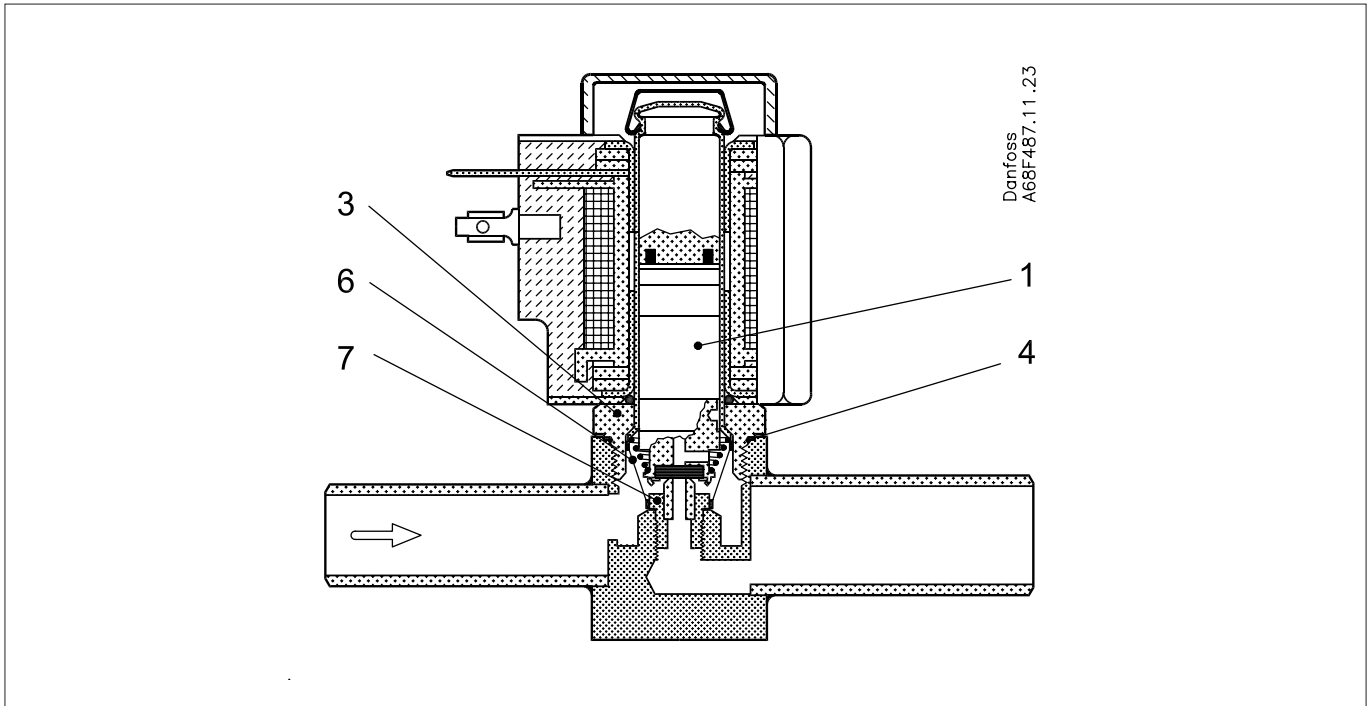
<b>Dismounting kit</b>			
Gasket for flange SFV 15/DSV 2	30	1	<b>148F3030</b>
Gasket for nipple SFV 15	31	1	
Gasket for flange SFV 15-20-25/DSV 2	32	1	
Gasket for flange SFV 20-25/DSV 2	33	1	

<b>Repair kit, complete set of gaskets</b>			
Gasket for cone	8	1	<b>148F3025</b>
O-ring for seat	16	1	
O-ring for housing/bonnet	17	1	
Lock pin	18	1	
Slotted nut	20	1	
Gasket for cap	23	1	
Gaskets complete for packing gland	29a	1	
Gasket for flange SFV 15/DSV 2	30	1	
Gasket for nipple SFV 15	31	1	
Gasket for flange SFV 15-20-25/DSV 2	32	1	
Gasket for flange SFV 20-25/DSV 2	33	1	

Description	Pos. #	Qty.	Code no.
<b>Packing gland incl. gaskets (with O-rings)</b>			
Packing gland incl. gaskets	29	1	<b>148B4032</b>
<b>Cap incl. gasket</b>			
Cap incl. gasket	28	1	<b>148B4076</b>
<b>Grease for packing gland (tube)</b>			
Grease for packing gland (tube)		1	<b>148H3445</b>

Data sheet – Spare parts and accessories

**Electric expansion valves**  
**Type AKVA 10**

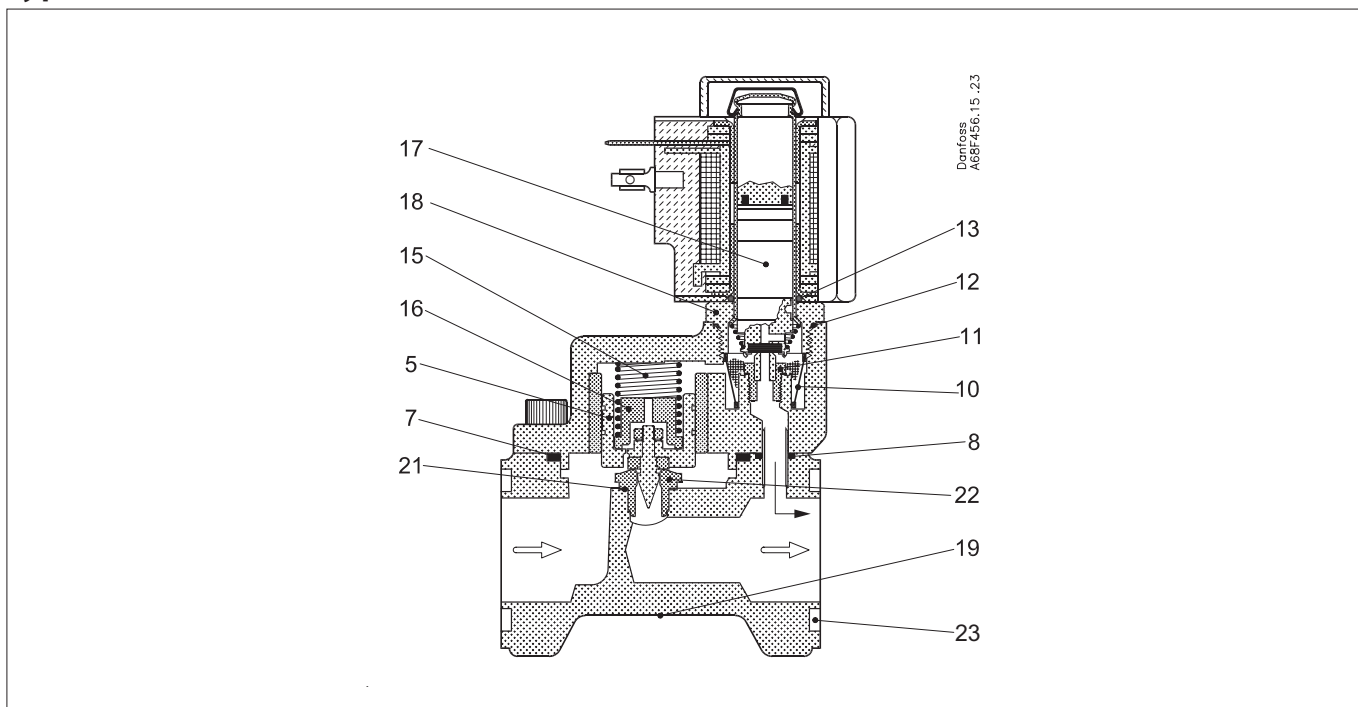


Description	Pos. #	Qty.	Code no.
<b>Orifice</b>			
Orifice 10-1	7	1	<b>068F0526</b>
Alu gasket	4	10	
Orifice 10-2	7	1	<b>068F0527</b>
Alu gasket	4	10	
Orifice 10-3	7	1	<b>068F0528</b>
Alu gasket	4	10	
Orifice 10-4	7	1	<b>068F0529</b>
Alu gasket	4	10	
Orifice 10-5	7	1	<b>068F0530</b>
Alu gasket	4	10	
Orifice 10-6	7	1	<b>068F0531</b>
Alu gasket	4	10	
Orifice 10-7	7	1	<b>068F0532</b>
Alu gasket	4	10	

Description	Pos. #	Qty.	Code no.
<b>Filter</b>			
Filter	6	10	<b>068F0540</b>
Alu gasket	4	10	
<b>Armature set</b>			
Armature	1	1	<b>068F5045</b>
Armature tube assembly	3	1	
Alu gasket	4	1	

Data sheet – Spare parts and accessories

Electric expansion valves  
Type AKVA 15



Description	Pos. #	Qty.	Code no.
-------------	--------	------	----------

Piston kit - AKVA 15-1			
Piston assembly	5	1	068F5265
Square gasket, rubber	7	1	
O-ring	8	1	
Spring	15	1	
Insert	16	1	
Label	19	1	

Piston kit - AKVA 15-2			
Piston assembly	5	1	068F5266
Square gasket, rubber	7	1	
O-ring	8	1	
Spring	15	1	
Insert	16	1	
Label	19	1	

Piston kit - AKVA 15-3			
Piston assembly	5	1	068F5267
Square gasket, rubber	7	1	
O-ring	8	1	
Spring	15	1	
Insert	16	1	
Label	19	1	

Piston kit - AKVA 15-4			
Piston assembly	5	1	068F5268
Square gasket, rubber	7	1	
O-ring	8	1	
Spring	15	1	
Insert	16	1	
Label	19	1	

Description	Pos. #	Qty.	Code no.
-------------	--------	------	----------

Orifice set			
Main orifice	22	1	068F5261
Pilot orifice	11	1	
Alu gasket	21	1	
O-ring	8	1	
Square gasket, rubber	7	1	

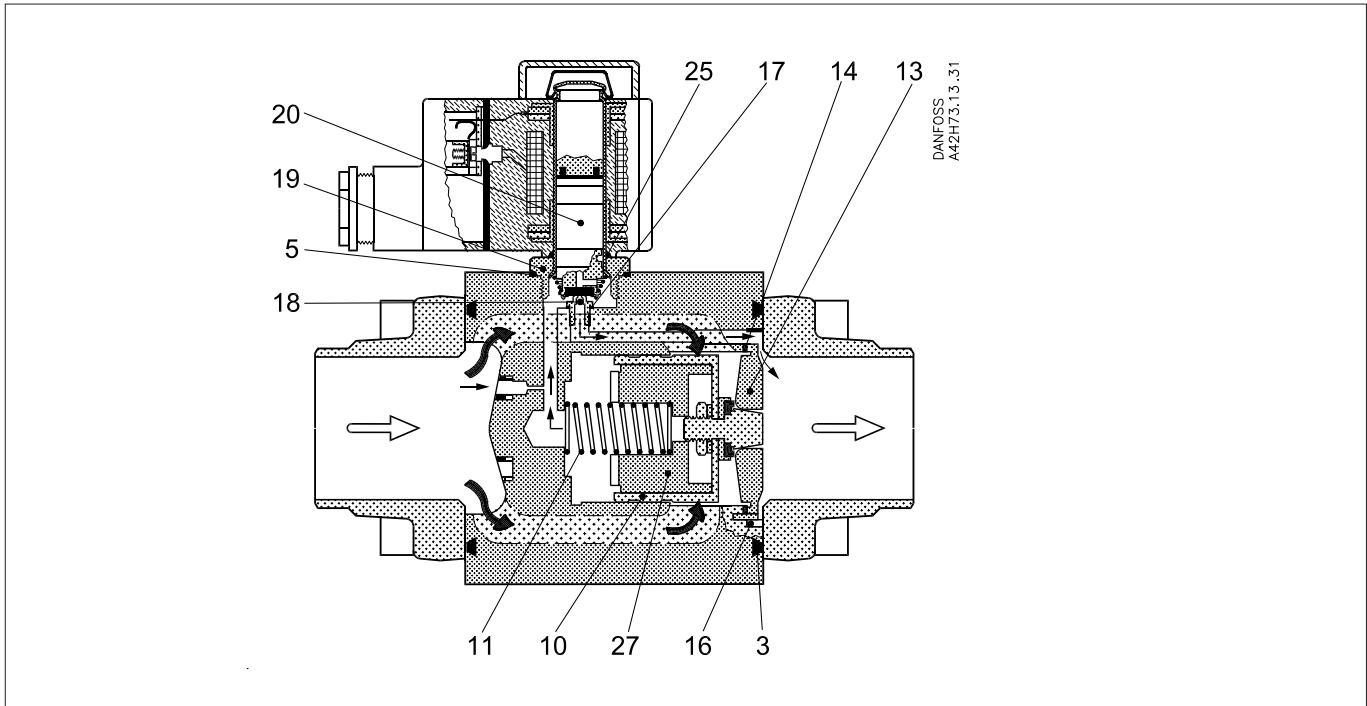
Armature set			
Armature	17	1	068F5045
Armature tube assembly	18	1	
Alu gasket	12	1	

Filter			
Filter	10	10	068F0540
Alu gasket	12	10	

Gasket set			
O-ring	8	10	068F5264
O-ring	13	10	
Alu gasket	12	10	
Alu gasket	21	10	
Square gasket, rubber	7	10	
Flange gasket	23	20	

Data sheet – Spare parts and accessories

**Electric expansion valves**  
**Type AKVA 20**

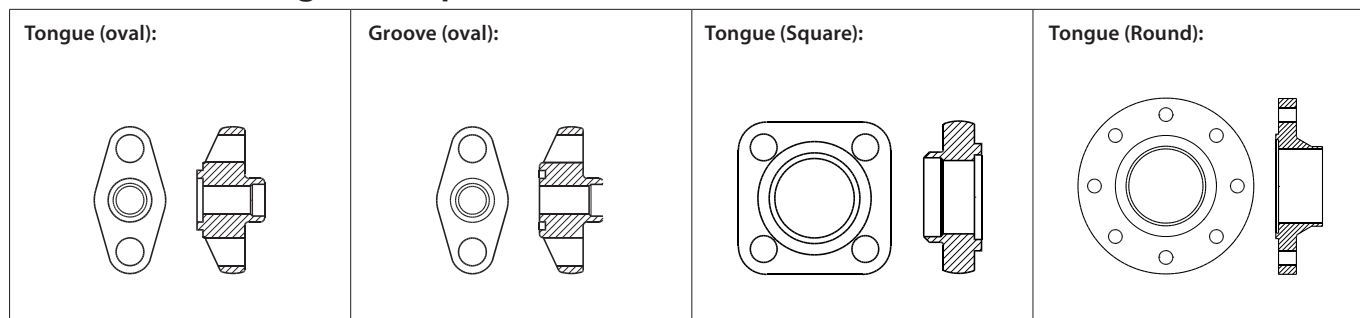


Description	Pos. #	Qty.	Code no.
<b>Piston kit - AKVA 20-0.6</b>			
Piston assembly	10	1	042H2039
Spring	11	1	
Insert	27	1	
O-ring	14	1	
O-ring	3	2	
<b>Piston kit - AKVA 20-1</b>			
Piston assembly	10	1	042H2040
Spring	11	1	
Insert	27	1	
O-ring	3	2	
<b>Piston kit - AKVA 20-2</b>			
Piston assembly	10	1	042H2041
Spring	11	1	
Insert	27	1	
O-ring	3	2	
<b>Piston kit - AKVA 20-3</b>			
Piston assembly	10	1	042H2042
Spring	11	1	
Insert	27	1	
O-ring	14	1	
O-ring	3	2	
<b>Piston kit - AKVA 20-4</b>			
Piston assembly	10	1	042H2043
Spring	11	1	
Insert	27	1	
O-ring	14	1	
O-ring	3	2	

Description	Pos. #	Qty.	Code no.
<b>Piston kit - AKVA 20-5</b>			
Piston assembly	10	1	042H2044
Spring	11	1	
Insert	27	1	
O-ring	14	1	
O-ring	3	2	
<b>Orifice kit (for AKVA 20-0.6, AKVA 20-1, AKVA 20-2, AKVA 20-3)</b>			
Main orifice, dia. 8 mm	13	1	068F5270
Pilot orifice, dia. 1.2 mm	18	1	
Pin	16	1	
O-ring	3	2	
O-ring	14	1	
Alu gasket	17	1	
<b>Orifice kit (for AKVA 20-4, AKVA 20-5)</b>			
Main orifice, dia. 14 mm	13	1	068F5271
Pilot orifice, dia. 2.4 mm	18	1	
Pin	16	1	
O-ring	3	2	
O-ring	14	1	
Alu gasket	17	1	
<b>Seal kit</b>			
O-ring	3	2	042H0160
O-ring	14	1	
O-ring	25	1	
Alu gasket	5	2	
Alu gasket	17	1	
<b>Armature set</b>			
Armature	20	1	068F5045
Armature tube assembly	19	1	
Alu gasket	5	1	

Data sheet – Spare parts and accessories

**Flanges, gaskets, bolts and nuts for Industrial Refrigeration products**



**Ordering flanges, gaskets, bolts and nuts for:**

**Page**

TEA/TEAT Expansion valves .....	324
EVRA/EVRAT Solenoid valves .....	326
ICF EVRAT - FA + solenoid valves .....	328
PML Solenoid valves .....	330
PMLX 2-step solenoid valves .....	331
PM Pilot operated servo valves .....	332
ICV PM Valve housings .....	334
PMC Pilot operated servo valves .....	335
CVMD Pressure regulating valves .....	336
FA Strainers .....	337
NRVA Check valves .....	339
NRVS Check valves .....	341
PMFL Liquid level regulating valves .....	342
PMFH Liquid level regulating valves .....	343

**Dimensions for:**

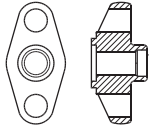
Flange version 1 .....	344
Flange version 2 .....	346
Flange version 3 .....	347
Flange version 4 .....	348
Flange version 5 .....	349
Flange version 6 .....	350
Flange version 8 .....	351
Flange version 10 .....	352
Flange version 11 .....	353
Flange version 12 .....	354
Flange version 13 .....	355
Flange version 14 .....	356
Flange for NRVS (special) .....	358

## Data sheet – Spare parts and accessories

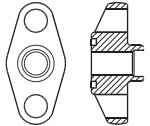
### Flanges for TEA / TEAT Expansion valves

	For product	Connection size		Material	Flange type	Design	Connection standard	Connection type	Shape	Code no.
		[in.]	[mm]							

Tongue (oval):



Groove (oval):



#### Flange version 1

TEA 20 / TEAT 20	¼	6	Steel	Single	Tongue	EN 10220	Butt welding	Oval	<b>006-1118</b>
TEA 20 / TEAT 20	¼	6	Steel	Single	Groove	EN 10220	Butt welding	Oval	<b>006-1119</b>
TEA 20 / TEAT 20	⅜	10	Steel	Single	Tongue	EN 10220	Butt welding	Oval	<b>006-1120</b>
TEA 20 / TEAT 20	⅜	10	Steel	Single	Groove	EN 10220	Butt welding	Oval	<b>006-1121</b>
TEA 20 / TEAT 20	½	15	Steel	Single	Tongue	EN 10220	Butt welding	Oval	<b>006-1122</b>
TEA 20 / TEAT 20	½	15	Steel	Single	Groove	EN 10220	Butt welding	Oval	<b>006-1123</b>
TEA 20 / TEAT 20	¾	20	Steel	Single	Tongue	EN 10220	Butt welding	Oval	<b>006-1124</b>
TEA 20 / TEAT 20	¾	20	Steel	Single	Groove	EN 10220	Butt welding	Oval	<b>006-1125</b>
TEA 20 / TEAT 20	½	-	Brass	Single	Tongue	ASME B 16.22	Soldering	Oval	<b>006-1160</b>
TEA 20 / TEAT 20	½	-	Brass	Single	Groove	ASME B 16.22	Soldering	Oval	<b>006-1161</b>
TEA 20 / TEAT 20	⅝	-	Brass	Single	Tongue	ASME B 16.22	Soldering	Oval	<b>006-1162</b>
TEA 20 / TEAT 20	⅝	-	Brass	Single	Groove	ASME B 16.22	Soldering	Oval	<b>006-1163</b>
TEA 20 / TEAT 20	⅞	-	Brass	Single	Tongue	ASME B 16.22	Soldering	Oval	<b>006-1176</b>
TEA 20 / TEAT 20	⅞	-	Brass	Single	Groove	ASME B 16.22	Soldering	Oval	<b>006-1177</b>
TEA 20 / TEAT 20	1	-	Brass	Single	Tongue	ASME B 16.22	Soldering	Oval	<b>006-1166</b>

#### Flange version 1.2

TEA 20 / TEAT 20	-	15 x 15	Steel	Set	Tongue/tongue	EN 10220	Butt welding	Oval	<b>027B0181</b>
TEA 20 / TEAT 20	⅝ x ⅞	-	Brass	Set	Tongue/tongue	ASME B 16.22	Soldering	Oval	<b>006-1195</b>

#### Flange version 1.3

TEA 20 / TEAT 20	½	15	Stainless steel	Set	Tongue/tongue	EN 10220	Butt welding	Oval	<b>192H3253</b>
TEA 20 / TEAT 20	⅜	10	Steel	Set	Tongue/tongue	EN 10220	Butt welding	Oval	<b>027N1112</b>
TEA 20 / TEAT 20	½	15	Steel	Set	Tongue/tongue	EN 10220	Butt welding	Oval	<b>027N1115</b>
TEA 20 / TEAT 20	¾	20	Steel	Set	Tongue/tongue	EN 10220	Butt welding	Oval	<b>027N1120</b>
TEA 20 / TEAT 20	⅜	10	Steel	Set	Tongue/tongue	ASME B 36.10M	Butt welding	Oval	<b>027N2020</b>
TEA 20 / TEAT 20	½	15	Steel	Set	Tongue/tongue	ASME B 36.10M	Butt welding	Oval	<b>027N2021</b>
TEA 20 / TEAT 20	¾	20	Steel	Set	Tongue/tongue	ASME B 36.10M	Butt welding	Oval	<b>027N2022</b>
TEA 20 / TEAT 20	⅜	10	Steel	Set	Tongue/tongue	ASME B 16.11	Socket welding	Oval	<b>027N2010</b>
TEA 20 / TEAT 20	½	15	Steel	Set	Tongue/tongue	ASME B 16.11	Socket welding	Oval	<b>027N2011</b>
TEA 20 / TEAT 20	⅜	10	Steel	Set	Tongue/tongue	ANSI/ASME B1.20.1	FPT inside thread, NPT	Oval	<b>027G1005</b>
TEA 20 / TEAT 20	½	15	Steel	Set	Tongue/tongue	ANSI/ASME B1.20.1	FPT inside thread, NPT	Oval	<b>027G1006</b>
TEA 20 / TEAT 20	-	16	Brass	Set	Tongue/tongue	EN 1254	Soldering	Oval	<b>027L1116</b>
TEA 20 / TEAT 20	-	22	Brass	Set	Tongue/tongue	EN 1254	Soldering	Oval	<b>027L1122</b>
TEA 20 / TEAT 20	⅝	-	Brass	Set	Tongue/tongue	ASME B 16.22	Soldering	Oval	<b>027L1117</b>
TEA 20 / TEAT 20	⅞	-	Brass	Set	Tongue/tongue	ASME B 16.22	Soldering	Oval	<b>027L1123</b>

#### Flange version 3

TEA 85 / TEAT 85	1	25	Stainless steel	Set	Tongue/tongue	EN 10220	Butt welding	Oval	<b>192H3014</b>
TEA 85 / TEAT 85	¾	20	Stainless steel	Set	Tongue/tongue	EN 10220	Butt welding	Oval	<b>192H3045</b>
TEA 85 / TEAT 85	¾	20	Steel	Set	Tongue/tongue	EN 10220	Butt welding	Oval	<b>027N1220</b>
TEA 85 / TEAT 85	1	25	Steel	Set	Tongue/tongue	EN 10220	Butt welding	Oval	<b>027N1225</b>
TEA 85 / TEAT 85	1¼	32	Steel	Set	Tongue/tongue	EN 10220	Butt welding	Oval	<b>027N1230</b>
TEA 85 / TEAT 85	¾	20	Steel	Set	Tongue/tongue	ASME B 36.10M	Butt welding	Oval	<b>027N3031</b>
TEA 85 / TEAT 85	1	25	Steel	Set	Tongue/tongue	ASME B 36.10M	Butt welding	Oval	<b>027N3032</b>
TEA 85 / TEAT 85	1¼	32	Steel	Set	Tongue/tongue	ASME B 36.10M	Butt welding	Oval	<b>027N3033</b>
TEA 85 / TEAT 85	¾	20	Steel	Set	Tongue/tongue	ASME B 16.11	Socket welding	Oval	<b>027N2001</b>
TEA 85 / TEAT 85	1	25	Steel	Set	Tongue/tongue	ASME B 16.11	Socket welding	Oval	<b>027N2002</b>
TEA 85 / TEAT 85	¾	20	Steel	Set	Tongue/tongue	ANSI/ASME B1.20.1	FPT inside thread, NPT	Oval	<b>027G1001</b>
TEA 85 / TEAT 85	1	25	Steel	Set	Tongue/tongue	ANSI/ASME B1.20.1	FPT inside thread, NPT	Oval	<b>027G1002</b>
TEA 85 / TEAT 85	-	22	Brass	Set	Tongue/tongue	EN 1254	Soldering	Oval	<b>027L1222</b>
TEA 85 / TEAT 85	-	28	Brass	Set	Tongue/tongue	EN 1254	Soldering	Oval	<b>027L1228</b>
TEA 85 / TEAT 85	⅞	-	Brass	Set	Tongue/tongue	ASME B 16.22	Soldering	Oval	<b>027L1223</b>
TEA 85 / TEAT 85	1⅞	-	Brass	Set	Tongue/tongue	ASME B 16.22	Soldering	Oval	<b>027L1229</b>

Flange version 1: Each code no. includes one flange and one flange gasket.

Flange version 1.2: Each code no. includes two flanges, two flange gaskets, two staybolts (M12 × 135 mm / M12 × 127 mm) and four nuts (M12).

Flange version 1.3: Each code no. includes two flanges.

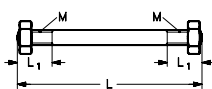
Flange version 3: Each code no. includes two flanges.

### Flange gaskets

For flange version	Gasket dimensions ID x OD x h [mm]	Gasket dimensions ID x OD x h [in.]	Multipack qty	Code no.
1 + 1.2 + 1.3	22 × 32 × 1.0	0.866 × 1.260 × 0.039	40	<b>020-2133</b>

## Data sheet – Spare parts and accessories

### Set of staybolts and gaskets for flanges



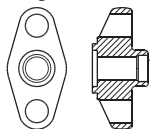
Set of staybolts and gaskets for	Material	Thread [M]	L <sub>1</sub> [mm]	L <sub>1</sub> [in.]	L [mm]	L [in.]	Staybolts qty	Nuts qty	Gaskets qty	Code no.
TEA 20 / TEAT 20 without filter	Steel	M12	19	0.748	115	4.527	2	4	3	<b>006-1107</b>
TEA 20 / TEAT 20 with filter	Steel	M12	19	0.748	170	6.693	2	4	3	<b>006-1103</b>
TEA 85 / TEAT 85 with filter	Steel	M12	25	0.984	206	8.110	2	4	3	<b>006-1106</b>

## Data sheet – Spare parts and accessories

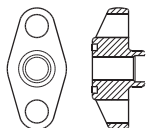
### Flanges for EVRA / EVRAT Solenoid valves

	For product	Connection size		Material	Flange type	Design	Connection standard	Connection type	Shape	Code no.
		[in.]	[mm]							

#### Tongue (oval):



#### Groove (oval):



#### Flange version 1

EVRA 3 / EVRA 10 / EVRA 15	¼	6	Steel	Single	Tongue	EN 10220	Butt welding	Oval	<b>006-1118</b>
EVRA 3 / EVRA 10 / EVRA 15	¼	6	Steel	Single	Groove	EN 10220	Butt welding	Oval	<b>006-1119</b>
EVRA 3 / EVRA 10 / EVRA 15	⅜	10	Steel	Single	Tongue	EN 10220	Butt welding	Oval	<b>006-1120</b>
EVRA 3 / EVRA 10 / EVRA 15	⅜	10	Steel	Single	Groove	EN 10220	Butt welding	Oval	<b>006-1121</b>
EVRA 3 / EVRA 10 / EVRA 15	½	15	Steel	Single	Tongue	EN 10220	Butt welding	Oval	<b>006-1122</b>
EVRA 3 / EVRA 10 / EVRA 15	½	15	Steel	Single	Groove	EN 10220	Butt welding	Oval	<b>006-1123</b>
EVRA 3 / EVRA 10 / EVRA 15	¾	20	Steel	Single	Tongue	EN 10220	Butt welding	Oval	<b>006-1124</b>
EVRA 3 / EVRA 10 / EVRA 15	¾	20	Steel	Single	Groove	EN 10220	Butt welding	Oval	<b>006-1125</b>
EVRA 3 / EVRA 10 / EVRA 15	½	-	Brass	Single	Tongue	ASME B 16.22	Soldering	Oval	<b>006-1160</b>
EVRA 3 / EVRA 10 / EVRA 15	½	-	Brass	Single	Groove	ASME B 16.22	Soldering	Oval	<b>006-1161</b>
EVRA 3 / EVRA 10 / EVRA 15	⅝	-	Brass	Single	Tongue	ASME B 16.22	Soldering	Oval	<b>006-1162</b>
EVRA 3 / EVRA 10 / EVRA 15	⅝	-	Brass	Single	Groove	ASME B 16.22	Soldering	Oval	<b>006-1163</b>
EVRA 3 / EVRA 10 / EVRA 15	⅞	-	Brass	Single	Tongue	ASME B 16.22	Soldering	Oval	<b>006-1176</b>
EVRA 3 / EVRA 10 / EVRA 15	⅞	-	Brass	Single	Groove	ASME B 16.22	Soldering	Oval	<b>006-1177</b>
EVRA 3 / EVRA 10 / EVRA 15	1	-	Brass	Single	Tongue	ASME B 16.22	Soldering	Oval	<b>006-1166</b>

#### Flange version 1.2

EVRA 3 / EVRA 10 / EVRA 15	-	15 x 15	Steel	Set	Tongue/tongue	EN 10220	Butt welding	Oval	<b>027B0181</b>
EVRA 3 / EVRA 10 / EVRA 15	⅝ x ⅞	-	Brass	Set	Tongue/tongue	ASME B 16.22	Soldering	Oval	<b>006-1195</b>

#### Flange version 1.3

EVRA 3 / EVRA 10 / EVRA 15	½	15	Stainless steel	Set	Tongue/tongue	EN 10220	Butt welding	Oval	<b>192H3253</b>
EVRAT 20	½	15	Stainless steel	Set	Tongue/tongue	EN 10220	Butt welding	Oval	<b>192H3253</b>
EVRA 3 / EVRA 10 / EVRA 15	⅜	10	Steel	Set	Tongue/tongue	EN 10220	Butt welding	Oval	<b>027N1112</b>
EVRA 3 / EVRA 10 / EVRA 15	½	15	Steel	Set	Tongue/tongue	EN 10220	Butt welding	Oval	<b>027N1115</b>
EVRA 3 / EVRA 10 / EVRA 15	¾	20	Steel	Set	Tongue/tongue	EN 10220	Butt welding	Oval	<b>027N1120</b>
EVRA 3 / EVRA 10 / EVRA 15	⅜	10	Steel	Set	Tongue/tongue	ASME B 36.10M	Butt welding	Oval	<b>027N2020</b>
EVRA 3 / EVRA 10 / EVRA 15	½	15	Steel	Set	Tongue/tongue	ASME B 36.10M	Butt welding	Oval	<b>027N2021</b>
EVRA 3 / EVRA 10 / EVRA 15	¾	20	Steel	Set	Tongue/tongue	ASME B 36.10M	Butt welding	Oval	<b>027N2022</b>
EVRA 3 / EVRA 10 / EVRA 15	⅜	10	Steel	Set	Tongue/tongue	ASME B 16.11	Socket welding	Oval	<b>027N2010</b>
EVRA 3 / EVRA 10 / EVRA 15	½	15	Steel	Set	Tongue/tongue	ASME B 16.11	Socket welding	Oval	<b>027N2011</b>
EVRA 3 / EVRA 10 / EVRA 15	⅜	10	Steel	Set	Tongue/tongue	ANSI/ASME B1.20.1	FPT inside thread, NPT	Oval	<b>027G1005</b>
EVRA 3 / EVRA 10 / EVRA 15	½	15	Steel	Set	Tongue/tongue	ANSI/ASME B1.20.1	FPT inside thread, NPT	Oval	<b>027G1006</b>
EVRA 3 / EVRA 10 / EVRA 15	-	16	Brass	Set	Tongue/tongue	EN 1254	Soldering	Oval	<b>027L1116</b>
EVRA 3 / EVRA 10 / EVRA 15	-	22	Brass	Set	Tongue/tongue	EN 1254	Soldering	Oval	<b>027L1122</b>
EVRA 3 / EVRA 10 / EVRA 15	⅝	-	Brass	Set	Tongue/tongue	ASME B 16.22	Soldering	Oval	<b>027L1117</b>
EVRA 3 / EVRA 10 / EVRA 15	⅞	-	Brass	Set	Tongue/tongue	ASME B 16.22	Soldering	Oval	<b>027L1123</b>

#### Flange version 3

EVRA 20 / EVRA 25	1	25	Stainless steel	Set	Tongue/tongue	EN 10220	Butt welding	Oval	<b>192H3014</b>
EVRA 20 / EVRA 25	¾	20	Stainless steel	Set	Tongue/tongue	EN 10220	Butt welding	Oval	<b>192H3045</b>
EVRA 20 / EVRA 25	¾	20	Steel	Set	Tongue/tongue	EN 10220	Butt welding	Oval	<b>027N1220</b>
EVRA 20 / EVRA 25	1	25	Steel	Set	Tongue/tongue	EN 10220	Butt welding	Oval	<b>027N1225</b>
EVRA 20 / EVRA 25	1¼	32	Steel	Set	Tongue/tongue	EN 10220	Butt welding	Oval	<b>027N1230</b>
EVRA 20 / EVRA 25	¾	20	Steel	Set	Tongue/tongue	ASME B 36.10M	Butt welding	Oval	<b>027N3031</b>
EVRA 20 / EVRA 25	1	25	Steel	Set	Tongue/tongue	ASME B 36.10M	Butt welding	Oval	<b>027N3032</b>
EVRA 20 / EVRA 25	1¼	32	Steel	Set	Tongue/tongue	ASME B 36.10M	Butt welding	Oval	<b>027N3033</b>
EVRA 20 / EVRA 25	¾	20	Steel	Set	Tongue/tongue	ASME B 16.11	Socket welding	Oval	<b>027N2001</b>
EVRA 20 / EVRA 25	1	25	Steel	Set	Tongue/tongue	ASME B 16.11	Socket welding	Oval	<b>027N2002</b>
EVRA 20 / EVRA 25	¾	20	Steel	Set	Tongue/tongue	ANSI/ASME B1.20.1	FPT inside thread, NPT	Oval	<b>027G1001</b>
EVRA 20 / EVRA 25	-	22	Brass	Set	Tongue/tongue	EN 1254	Soldering	Oval	<b>027L1222</b>
EVRA 20 / EVRA 25	-	28	Brass	Set	Tongue/tongue	EN 1254	Soldering	Oval	<b>027L1228</b>
EVRA 20 / EVRA 25	⅞	-	Brass	Set	Tongue/tongue	ASME B 16.22	Soldering	Oval	<b>027L1223</b>
EVRA 20 / EVRA 25	1⅞	-	Brass	Set	Tongue/tongue	ASME B 16.22	Soldering	Oval	<b>027L1229</b>

Flange version 1: Each code no. includes one flange and one flange gasket.

Flange version 1.2: Each code no. includes two flanges, two flange gaskets, two staybolts (M12 × 135 mm / M12 × 127 mm) and four nuts (M12).

Flange version 1.3: Each code no. includes two flanges.

Flange version 3: Each code no. includes two flanges.

#### Flange gaskets

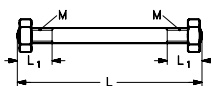
For flange version	Gasket dimensions ID x OD x h [mm]	Gasket dimensions ID x OD x h [in.]	Multipack qty	Code no.
1.1 + 1.2 + 1.3	22 × 32 × 1.0	0.866 × 1.260 × 0.039	40	<b>020-2133</b>



## Data sheet – Spare parts and accessories

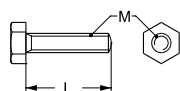
### Flanges for EVRA / EVRAT Solenoid valves (continued)

#### Set of staybolts and gaskets for flanges



Set of staybolts and gaskets for	Material	Thread [M]	L <sub>1</sub> [mm]	L <sub>1</sub> [in.]	L [mm]	L [in.]	Staybolts qty	Nuts qty	Gaskets qty	Code no.
EVRA 10 (GGG 40.3)	Steel	M12	19	0.748	107	4.212	2	4	3	006-1101
EVRA 10 / EVRA 15 (GG 25) with filter	Steel	M12	19	0.748	188	7.401	2	4	3	006-1104
EVRA 20 / EVRA 25 (GG 25) with filter	Steel	M12	22	0.866	240	9.449	2	4	3	006-1105
EVRA 20 (GGG 40.3)	Steel	M12	19	0.748	127	5.000	2	4	3	006-1108

#### Bolts for flange connections



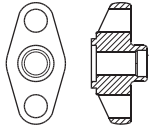
Type	Material	Material property class	M [mm]	L [mm]	L [in.]	Qty	Code no.
EVRA 20 / EVRA 25 / EVRAT 20	Stainless steel	Class A2/A4 to DIN 267	M12	45	1.772	4	027F2220
EVRA 10 / EVRA 15 / EVRAT 10 / EVRAT 15	Steel	Class 8.8 to ISO 898	M12	35	1.378	4	006-1139
EVRA 20 / EVRA 25 / EVRAT 20	Steel	Class 8.8 to ISO 898	M12	45	1.772	4	006-1141

## Data sheet – Spare parts and accessories

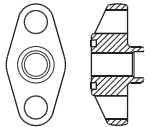
### Flanges for ICF EVRAT - FA + solenoid valves

	For product	Connection size		Material	Flange type	Design	Connection standard	Connection type	Shape	Code no.
		[in.]	[mm]							

Tongue (oval):



Groove (oval):



#### Flange version 1

ICF 15 EVRAT	¼	6	Steel	Single	Tongue	EN 10220	Butt welding	Oval	<b>006-1118</b>
ICF 15 EVRAT	¼	6	Steel	Single	Groove	EN 10220	Butt welding	Oval	<b>006-1119</b>
ICF 15 EVRAT	⅜	10	Steel	Single	Tongue	EN 10220	Butt welding	Oval	<b>006-1120</b>
ICF 15 EVRAT	⅜	10	Steel	Single	Groove	EN 10220	Butt welding	Oval	<b>006-1121</b>
ICF 15 EVRAT	½	15	Steel	Single	Tongue	EN 10220	Butt welding	Oval	<b>006-1122</b>
ICF 15 EVRAT	½	15	Steel	Single	Groove	EN 10220	Butt welding	Oval	<b>006-1123</b>
ICF 15 EVRAT	¾	20	Steel	Single	Tongue	EN 10220	Butt welding	Oval	<b>006-1124</b>
ICF 15 EVRAT	¾	20	Steel	Single	Groove	EN 10220	Butt welding	Oval	<b>006-1125</b>
ICF 15 EVRAT	½	-	Brass	Single	Tongue	ASME B 16.22	Soldering	Oval	<b>006-1160</b>
ICF 15 EVRAT	½	-	Brass	Single	Groove	ASME B 16.22	Soldering	Oval	<b>006-1161</b>
ICF 15 EVRAT	⅝	-	Brass	Single	Tongue	ASME B 16.22	Soldering	Oval	<b>006-1162</b>
ICF 15 EVRAT	⅝	-	Brass	Single	Groove	ASME B 16.22	Soldering	Oval	<b>006-1163</b>
ICF 15 EVRAT	⅞	-	Brass	Single	Tongue	ASME B 16.22	Soldering	Oval	<b>006-1176</b>
ICF 15 EVRAT	⅞	-	Brass	Single	Groove	ASME B 16.22	Soldering	Oval	<b>006-1177</b>
ICF 15 EVRAT	1	-	Brass	Single	Tongue	ASME B 16.22	Soldering	Oval	<b>006-1166</b>

#### Flange version 1.2

ICF 15 EVRAT	-	15 x 15	Steel	Set	Tongue/tongue	EN 10220	Butt welding	Oval	<b>027B0181</b>
ICF 15 EVRAT	⅜ x ⅞	-	Brass	Set	Tongue/tongue	ASME B 16.22	Soldering	Oval	<b>006-1195</b>

#### Flange version 1.3

ICF 15 EVRAT	½	15	Stainless steel	Set	Tongue/tongue	EN 10220	Butt welding	Oval	<b>192H3253</b>
ICF 20 EVRAT	½	15	Stainless steel	Set	Tongue/tongue	EN 10220	Butt welding	Oval	<b>192H3253</b>
ICF 15 EVRAT	⅜	10	Steel	Set	Tongue/tongue	EN 10220	Butt welding	Oval	<b>027N1112</b>
ICF 15 EVRAT	½	15	Steel	Set	Tongue/tongue	EN 10220	Butt welding	Oval	<b>027N1115</b>
ICF 15 EVRAT	¾	20	Steel	Set	Tongue/tongue	EN 10220	Butt welding	Oval	<b>027N1120</b>
ICF 15 EVRAT	⅜	10	Steel	Set	Tongue/tongue	ASME B 36.10M	Butt welding	Oval	<b>027N2020</b>
ICF 15 EVRAT	½	15	Steel	Set	Tongue/tongue	ASME B 36.10M	Butt welding	Oval	<b>027N2021</b>
ICF 15 EVRAT	¾	20	Steel	Set	Tongue/tongue	ASME B 36.10M	Butt welding	Oval	<b>027N2022</b>
ICF 15 EVRAT	⅜	10	Steel	Set	Tongue/tongue	ASME B 16.11	Socket welding	Oval	<b>027N2010</b>
ICF 15 EVRAT	½	15	Steel	Set	Tongue/tongue	ASME B 16.11	Socket welding	Oval	<b>027N2011</b>
ICF 15 EVRAT	⅜	10	Steel	Set	Tongue/tongue	ANSI/ASME B1.20.1	FPT inside thread, NPT	Oval	<b>027G1005</b>
ICF 15 EVRAT	½	15	Steel	Set	Tongue/tongue	ANSI/ASME B1.20.1	FPT inside thread, NPT	Oval	<b>027G1006</b>
ICF 15 EVRAT	-	16	Brass	Set	Tongue/tongue	EN 1254	Soldering	Oval	<b>027L1116</b>
ICF 15 EVRAT	-	22	Brass	Set	Tongue/tongue	EN 1254	Soldering	Oval	<b>027L1122</b>
ICF 15 EVRAT	⅝	-	Brass	Set	Tongue/tongue	ASME B 16.22	Soldering	Oval	<b>027L1117</b>
ICF 15 EVRAT	⅞	-	Brass	Set	Tongue/tongue	ASME B 16.22	Soldering	Oval	<b>027L1123</b>

#### Flange version 3

ICF 20 EVRAT	1	25	Stainless steel	Set	Tongue/tongue	EN 10220	Butt welding	Oval	<b>192H3014</b>
ICF 20 EVRAT	¾	20	Stainless steel	Set	Tongue/tongue	EN 10220	Butt welding	Oval	<b>192H3045</b>
ICF 20 EVRAT	¾	20	Steel	Set	Tongue/tongue	EN 10220	Butt welding	Oval	<b>027N1220</b>
ICF 20 EVRAT	1	25	Steel	Set	Tongue/tongue	EN 10220	Butt welding	Oval	<b>027N1225</b>
ICF 20 EVRAT	1¼	32	Steel	Set	Tongue/tongue	EN 10220	Butt welding	Oval	<b>027N1230</b>
ICF 20 EVRAT	¾	20	Steel	Set	Tongue/tongue	ASME B 36.10M	Butt welding	Oval	<b>027N3031</b>
ICF 20 EVRAT	1	25	Steel	Set	Tongue/tongue	ASME B 36.10M	Butt welding	Oval	<b>027N3032</b>
ICF 20 EVRAT	1¼	32	Steel	Set	Tongue/tongue	ASME B 36.10M	Butt welding	Oval	<b>027N3033</b>
ICF 20 EVRAT	¾	20	Steel	Set	Tongue/tongue	ASME B 16.11	Socket welding	Oval	<b>027N2001</b>
ICF 20 EVRAT	1	25	Steel	Set	Tongue/tongue	ASME B 16.11	Socket welding	Oval	<b>027N2002</b>
ICF 20 EVRAT	¾	20	Steel	Set	Tongue/tongue	ANSI/ASME B1.20.1	FPT inside thread, NPT	Oval	<b>027G1001</b>
ICF 20 EVRAT	-	22	Brass	Set	Tongue/tongue	EN 1254	Soldering	Oval	<b>027L1222</b>
ICF 20 EVRAT	-	28	Brass	Set	Tongue/tongue	EN 1254	Soldering	Oval	<b>027L1228</b>
ICF 20 EVRAT	⅞	-	Brass	Set	Tongue/tongue	ASME B 16.22	Soldering	Oval	<b>027L1223</b>
ICF 20 EVRAT	1⅞	-	Brass	Set	Tongue/tongue	ASME B 16.22	Soldering	Oval	<b>027L1229</b>

Flange version 1: Each code no. includes one flange and one flange gasket.

Flange version 1.2: Each code no. includes two flanges, two flange gaskets, two staybolts (M12 × 135 mm / M12 × 127 mm) and four nuts (M12).

Flange version 1.3: Each code no. includes two flanges.

Flange version 3: Each code no. includes two flanges.

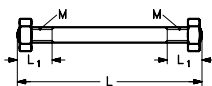
### Flange gaskets

For flange version	Gasket dimensions ID x OD x h [mm]	Gasket dimensions ID x OD x h [in.]	Multipack qty	Code no.
1.1 + 1.2 + 1.3	22 × 32 × 1.0	0.866 × 1.260 × 0.039	40	<b>020-2133</b>

## Data sheet – Spare parts and accessories

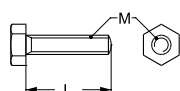
### Flanges for ICF EVRAT - FA + solenoid valves (continued)

#### Set of staybolts and gaskets for flanges



Set of staybolts and gaskets for	Material	Thread [M]	L <sub>1</sub> [mm]	L <sub>1</sub> [in.]	L [mm]	L [in.]	Staybolts qty	Nuts qty	Gaskets qty	Code no.
ICF 15 EVRAT	Steel	M12	19	0.748	188	7.401	2	4	3	006-1104
ICF 20 EVRAT	Steel	M12	22	0.866	240	9.449	2	4	3	006-1105
ICF 20 EVRAT	Steel	M12	19	0.748	127	5.000	2	4	3	006-1108

#### Bolts for flange connections



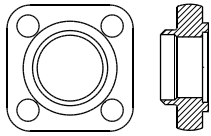
Type	Material	Material property class	M [mm]	L [mm]	L [in.]	Qty	Code no.
ICF 20 EVRAT	Stainless steel	Class A2/A4 to DIN 267	M12	45	1.772	4	027F2220
ICF 15 EVRAT	Steel	Class 8.8 to ISO 898	M12	35	1.378	4	006-1139
ICF 20 EVRAT	Steel	Class 8.8 to ISO 898	M12	45	1.772	4	006-1141

## Data sheet – Spare parts and accessories

### Flanges for PML Solenoid valves

	For product	Connection size		Material	Flange type	Design	Connection standard	Connection type	Shape	Code no.
		[in.]	[mm]							

Tongue (Square):



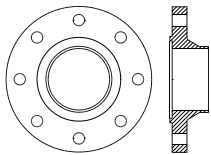
#### Flange version 10

PML 32	1½	40	Stainless steel	Set	Tongue/tongue	EN 10220	Butt welding	Square	192H3016
PML 32	1¼	32	Steel	Set	Tongue/tongue	EN 10220	Butt welding	Square	027N2332
PML 32	1½	40	Steel	Set	Tongue/tongue	EN 10220	Butt welding	Square	027N2340
PML 32	1⅜	-	Steel	Set	Tongue/tongue	ASME B 16.22	Soldering	Square	027L2335

#### Flange version 11

PML 40	2	50	Stainless steel	Set	Tongue/tongue	EN 10220	Butt welding	Square	192H3018
PML 40	1½	40	Steel	Set	Tongue/tongue	EN 10220	Butt welding	Square	027N2440
PML 40	2	50	Steel	Set	Tongue/tongue	EN 10220	Butt welding	Square	027N2450
PML 40	1½	40	Steel	Set	Tongue/tongue	ASME B 16.11	Socket welding	Square	027N2004
PML 40	-	42	Steel	Set	Tongue/tongue	EN 1254	Soldering	Square	027L2442
PML 40	1⅝	-	Steel	Set	Tongue/tongue	ASME B 16.22	Soldering	Square	027L2441

Tongue (Round):



#### Flange version 12

PML 50	2½	65	Stainless steel	Set	Tongue/tongue	EN 10220	Butt welding	Square	192H3020
PML 50	2	50	Steel	Set	Tongue/tongue	EN 10220	Butt welding	Square	027N2550
PML 50	2½	65	Steel	Set	Tongue/tongue	EN 10220	Butt welding	Square	027N2565
PML 50	2	50	Steel	Set	Tongue/tongue	ASME B 16.11	Socket welding	Square	027N2005
PML 50	2⅞	54	Steel	Set	Tongue/tongue	ASME B 16.22	Soldering	Square	027L2554

#### Flange version 13

PML 65	2½	65	Steel	Set	Tongue/tongue	EN 10220	Butt welding	Square	027N2665
PML 65	3	80	Steel	Set	Tongue/tongue	EN 10220	Butt welding	Square	027N2680
PML 65	-	76	Steel	Set	Tongue/tongue	ASME B 16.22	Soldering	Square	027L2666
PML 65	2⅝	-	Steel	Set	Tongue/tongue	ASME B 16.22	Soldering	Square	027L2676

#### Flange version 14A

PML 80	4	100	Steel	Set	Tongue/tongue	EN 10220	Butt welding	Round	027F2123
PML 80	4	100	Steel	Set	Tongue/tongue	ASME B 36.10M	Butt welding	Round	027N3042

#### Flange version 14B

PML 100	5	125	Steel	Set	Tongue/tongue	EN 10220	Butt welding	Round	027F2124
PML 100	5	125	Steel	Set	Tongue/tongue	ASME B 36.10M	Butt welding	Round	027N3043

#### Flange version 14C

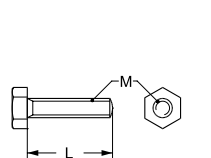
PML 125	6	150	Steel	Set	Tongue/tongue	EN 10220	Butt welding	Round	027F2125
PML 125	6	150	Steel	Set	Tongue/tongue	ASME B 36.10M	Butt welding	Round	027N3044

Flange version 10, 11, 12, 13, 14A, 14B, 14C: Each code no. includes two flanges.

### Flange gaskets

For flange version	Gasket dimensions ID x OD x h [mm]	Gasket dimensions ID x OD x h [in.]	Multipack		Code no.
			qty		
10	42.5 × 57.5 × 1.5	1.673 × 2.264 × 0.059	40		027F2176
11	51 × 65 × 1.5	2.008 × 2.559 × 0.059	40		027F2177
12	60.5 × 75.5 × 1.5	2.382 × 2.972 × 0.059	40		027F2178

### Bolts and nuts for flange connections



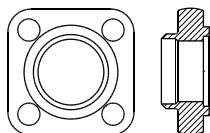
Type	Material	Material property class	Description	M [mm]	L [mm]	L [in.]	Qty	Code no. Bolts	Code no. Nuts
PML 32 / PML 40	Stainless steel	Class A2/A4 to DIN 267	Bolts	M12	45	1.772	8	027F2221	-
PML 50	Stainless steel	Class A2/A4 to DIN 267	Bolts + nuts	M14	65	2.559	8	027F2222	-
PML 80	Stainless steel	Class A2/A4 to DIN 267	Bolts + nuts	M20	70	2.756	16	027F2224	-
PML 32 / PML 40	Steel	Class 8.8 to ISO 898	Bolts	M12	45	1.772	4	006-1141	-
PML 50	Steel	Class 8.8 to ISO 898	Bolts	M14	65	2.559	4	006-1142	-
PML 65	Steel	Class 8.8 to ISO 898	Bolts	M14	70	2.756	4	006-1143	006-1146
PML 80	Steel	Class 8.8 to ISO 898	Bolts + nuts	M20	70	2.756	16	027F2126	-
PML 100	Steel	Class 8.8 to ISO 898	Bolts + nuts	M20	75	2.953	16	027F2127	-

## Data sheet – Spare parts and accessories

### Flanges for PMLX 2-step solenoid valves

	For product	Connection size		Material	Flange type	Design	Connection standard	Connection type	Shape	Code no.
		[in.]	[mm]							

Tongue (Square):



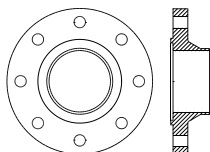
#### Flange version 10

PMLX 32	1½	40	Stainless steel	Set	Tongue/tongue	EN 10220	Butt welding	Square	192H3016
PMLX 32	1¼	32	Steel	Set	Tongue/tongue	EN 10220	Butt welding	Square	027N2332
PMLX 32	1½	40	Steel	Set	Tongue/tongue	EN 10220	Butt welding	Square	027N2340
PMLX 32	1⅜	-	Steel	Set	Tongue/tongue	ASME B 16.22	Soldering	Square	027L2335

#### Flange version 11

PMLX 40	2	50	Stainless steel	Set	Tongue/tongue	EN 10220	Butt welding	Square	192H3018
PMLX 40	1½	40	Steel	Set	Tongue/tongue	EN 10220	Butt welding	Square	027N2440
PMLX 40	2	50	Steel	Set	Tongue/tongue	EN 10220	Butt welding	Square	027N2450
PMLX 40	1½	40	Steel	Set	Tongue/tongue	ASME B 16.11	Socket welding	Square	027N2004
PMLX 40	-	42	Steel	Set	Tongue/tongue	EN 1254	Soldering	Square	027L2442
PMLX 40	1⅝	-	Steel	Set	Tongue/tongue	ASME B 16.22	Soldering	Square	027L2441

Tongue (Round):



#### Flange version 12

PMLX 50	2	50	Steel	Set	Tongue/tongue	EN 10220	Butt welding	Square	027N2550
PMLX 50	2½	65	Steel	Set	Tongue/tongue	EN 10220	Butt welding	Square	027N2565
PMLX 50	2	50	Steel	Set	Tongue/tongue	ASME B 16.11	Socket welding	Square	027N2005
PMLX 50	2⅝	54	Steel	Set	Tongue/tongue	ASME B 16.22	Soldering	Square	027L2554

#### Flange version 13

PMLX 65	2½	65	Steel	Set	Tongue/tongue	EN 10220	Butt welding	Square	027N2665
PMLX 65	3	80	Steel	Set	Tongue/tongue	EN 10220	Butt welding	Square	027N2680
PMLX 65	-	76	Steel	Set	Tongue/tongue	ASME B 16.22	Soldering	Square	027L2666
PMLX 65	2⅝	-	Steel	Set	Tongue/tongue	ASME B 16.22	Soldering	Square	027L2676

#### Flange version 14A

PMLX 80	4	100	Steel	Set	Tongue/tongue	EN 10220	Butt welding	Round	027F2123
PMLX 80	4	100	Steel	Set	Tongue/tongue	ASME B 36.10M	Butt welding	Round	027N3042

#### Flange version 14B

PMLX 100	5	125	Steel	Set	Tongue/tongue	EN 10220	Butt welding	Round	027F2124
PMLX 100	5	125	Steel	Set	Tongue/tongue	ASME B 36.10M	Butt welding	Round	027N3043

#### Flange version 14C

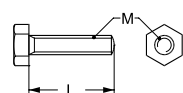
PMLX 125	6	150	Steel	Set	Tongue/tongue	EN 10220	Butt welding	Round	027F2125
PMLX 125	6	150	Steel	Set	Tongue/tongue	ASME B 36.10M	Butt welding	Round	027N3044

Flange version 10, 11, 12, 13, 14A, 14B, 14C: Each code no. includes two flanges.

### Flange gaskets

For flange version	Gasket dimensions ID x OD x h [mm]	Gasket dimensions ID x OD x h [in.]	Multipack		Code no.
			qty		
10	42.5 × 57.5 × 1.5	1.673 × 2.264 × 0.059	40		027F2176
11	51 × 65 × 1.5	2.008 × 2.559 × 0.059	40		027F2177
12	60.5 × 75.5 × 1.5	2.382 × 2.972 × 0.059	40		027F2178

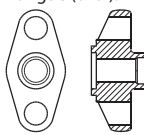
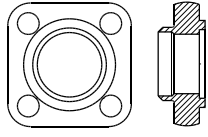
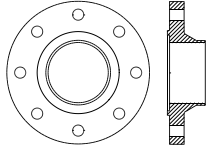
### Bolts and nuts for flange connections



Type	Material	Material property class	Description	M [mm]	L [mm]	L [in.]	Qty	Code no. Bolts	Code no. Nuts
PMLX 32-40	Stainless steel	Class A2/A4 to DIN 267	Bolts	M12	45	1.772	8	027F2221	-
PMLX 50	Stainless steel	Class A2/A4 to DIN 267	Bolts + nuts	M14	65	2.559	8	027F2222	-
PMLX 80	Stainless steel	Class A2/A4 to DIN 267	Bolts + nuts	M20	70	2.756	16	027F2224	-
PMLX 32-40	Steel	Class 8.8 to ISO 898	Bolts	M12	45	1.772	4	006-1141	-
PMLX 50	Steel	Class 8.8 to ISO 898	Bolts	M14	65	2.559	4	006-1142	-
PMLX 65	Steel	Class 8.8 to ISO 898	Bolts	M14	70	2.756	4	006-1143	006-1146
PMLX 80	Steel	Class 8.8 to ISO 898	Bolts + nuts	M20	70	2.756	16	027F2126	-
PMLX 100	Steel	Class 8.8 to ISO 898	Bolts + nuts	M20	75	2.953	16	027F2127	-

## Data sheet – Spare parts and accessories

### Flanges for PM Pilot operated servo valves

	For product	Connection size		Material	Flange type	Design	Connection standard	Connection type	Shape	Code no.
		[in.]	[mm]							
<b>Flange version 3</b>										
Tongue (oval): 	PM 5 / PM 10 / PM 15	1	25	Stainless steel	Set	Tongue/tongue	EN 10220	Butt welding	Oval	192H3014
	PM 5 / PM 10 / PM 15	¾	20	Stainless steel	Set	Tongue/tongue	EN 10220	Butt welding	Oval	192H3045
Tongue (Square): 	PM 5 / PM 10 / PM 15	¾	20	Steel	Set	Tongue/tongue	EN 10220	Butt welding	Oval	027N1220
	PM 5 / PM 10 / PM 15	1	25	Steel	Set	Tongue/tongue	EN 10220	Butt welding	Oval	027N1225
	PM 5 / PM 10 / PM 15	1¼	32	Steel	Set	Tongue/tongue	EN 10220	Butt welding	Oval	027N1230
	PM 5 / PM 10 / PM 15	¾	20	Steel	Set	Tongue/tongue	ASME B 36.10M	Butt welding	Oval	027N3031
	PM 5 / PM 10 / PM 15	1	25	Steel	Set	Tongue/tongue	ASME B 36.10M	Butt welding	Oval	027N3032
	PM 5 / PM 10 / PM 15	1¼	32	Steel	Set	Tongue/tongue	ASME B 36.10M	Butt welding	Oval	027N3033
	PM 5 / PM 10 / PM 15	¾	20	Steel	Set	Tongue/tongue	ASME B 16.11	Socket welding	Oval	027N2001
	PM 5 / PM 10 / PM 15	1	25	Steel	Set	Tongue/tongue	ASME B 16.11	Socket welding	Oval	027N2002
	PM 5 / PM 10 / PM 15	¾	20	Steel	Set	Tongue/tongue	ANSI/ASME B1.20.1	FPT inside thread, NPT	Oval	027G1001
	PM 5 / PM 10 / PM 15	1	25	Steel	Set	Tongue/tongue	ANSI/ASME B1.20.1	FPT inside thread, NPT	Oval	027G1002
Tongue (Round): 	PM 5 / PM 10 / PM 15	-	22	Brass	Set	Tongue/tongue	EN 1254	Soldering	Oval	027L1222
	PM 5 / PM 10 / PM 15	-	28	Brass	Set	Tongue/tongue	EN 1254	Soldering	Oval	027L1228
	PM 5 / PM 10 / PM 15	7/8	-	Brass	Set	Tongue/tongue	ASME B 16.22	Soldering	Oval	027L1223
	PM 5 / PM 10 / PM 15	1½	-	Brass	Set	Tongue/tongue	ASME B 16.22	Soldering	Oval	027L1229
<b>Flange version 10</b>										
	PM 32	1½	40	Stainless steel	Set	Tongue/tongue	EN 10220	Butt welding	Square	192H3016
	PM 32	1¼	32	Steel	Set	Tongue/tongue	EN 10220	Butt welding	Square	027N2332
	PM 32	1½	40	Steel	Set	Tongue/tongue	EN 10220	Butt welding	Square	027N2340
	PM 32	1¾	-	Steel	Set	Tongue/tongue	ASME B 16.22	Soldering	Square	027L2335
<b>Flange version 11</b>										
	PM 40	2	50	Stainless steel	Set	Tongue/tongue	EN 10220	Butt welding	Square	192H3018
	PM 40	1½	40	Steel	Set	Tongue/tongue	EN 10220	Butt welding	Square	027N2440
	PM 40	2	50	Steel	Set	Tongue/tongue	EN 10220	Butt welding	Square	027N2450
	PM 40	1½	40	Steel	Set	Tongue/tongue	ASME B 16.11	Socket welding	Square	027N2004
	PM 40	-	42	Steel	Set	Tongue/tongue	EN 1254	Soldering	Square	027L2442
	PM 40	1¾	-	Steel	Set	Tongue/tongue	ASME B 16.22	Soldering	Square	027L2441
<b>Flange version 12</b>										
	PM 50	2	50	Steel	Set	Tongue/tongue	EN 10220	Butt welding	Square	027N2550
	PM 50	2½	65	Steel	Set	Tongue/tongue	EN 10220	Butt welding	Square	027N2565
	PM 50	2	50	Steel	Set	Tongue/tongue	ASME B 16.11	Socket welding	Square	027N2005
	PM 50	2½	54	Steel	Set	Tongue/tongue	ASME B 16.22	Soldering	Square	027L2554
<b>Flange version 13</b>										
	PM 65	2½	65	Steel	Set	Tongue/tongue	EN 10220	Butt welding	Square	027N2665
	PM 65	3	80	Steel	Set	Tongue/tongue	EN 10220	Butt welding	Square	027N2680
	PM 65	-	76	Steel	Set	Tongue/tongue	ASME B 16.22	Soldering	Square	027L2666
	PM 65	2¾	-	Steel	Set	Tongue/tongue	ASME B 16.22	Soldering	Square	027L2676
<b>Flange version 14A</b>										
	PM 80	4	100	Steel	Set	Tongue/tongue	EN 10220	Butt welding	Round	027F2123
	PM 80	4	100	Steel	Set	Tongue/tongue	ASME B 36.10M	Butt welding	Round	027N3042
<b>Flange version 14B</b>										
	PM 100	5	125	Steel	Set	Tongue/tongue	EN 10220	Butt welding	Round	027F2124
	PM 100	5	125	Steel	Set	Tongue/tongue	ASME B 36.10M	Butt welding	Round	027N3043
<b>Flange version 14C</b>										
	PM 125	6	150	Steel	Set	Tongue/tongue	EN 10220	Butt welding	Round	027F2125
	PM 125	6	150	Steel	Set	Tongue/tongue	ASME B 36.10M	Butt welding	Round	027N3044

Flange version 3, 10, 11, 12, 13, 14A, 14B, 14C: Each code no. includes two flanges.

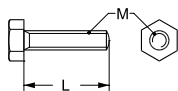
### Flange gaskets

For flange version	Gasket dimensions ID x OD x h [mm]	Gasket dimensions ID x OD x h [in.]	Multipack qty	Code no.
10	42.5 x 57.5 x 1.5	1.673 x 2.264 x 0.059	40	027F2176
11	51 x 65 x 1.5	2.008 x 2.559 x 0.059	40	027F2177
12	60.5 x 75.5 x 1.5	2.382 x 2.972 x 0.059	40	027F2178

## Data sheet – Spare parts and accessories

### Flanges for PM Pilot operated servo valves (continued)

#### Bolts and nuts for flange connections



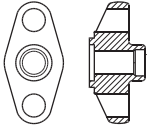
Type	Material	Material property class	Description	M [mm]	L [mm]	L [in.]	Qty	Code no. Bolts	Code no. Nuts
PM 5 / PM 10 / PM 15	Stainless steel	Class A2/A4 to DIN 267	Bolts	M12	45	1.772	4	<b>027F2220</b>	-
PM 32 / PM 40	Stainless steel	Class A2/A4 to DIN 267	Bolts	M12	45	1.772	8	<b>027F2221</b>	-
PM 50	Stainless steel	Class A2/A4 to DIN 267	Bolts + nuts	M14	65	2.559	8	<b>027F2222</b>	-
PM 80	Stainless steel	Class A2/A4 to DIN 267	Bolts + nuts	M20	70	2.756	16	<b>027F2224</b>	-
PM 5 / PM 10 / PM 15 / PM 32 / PM 40	Steel	Class 8.8 to ISO 898	Bolts	M12	45	1.772	4	<b>006-1141</b>	-
PM 50	Steel	Class 8.8 to ISO 898	Bolts	M14	65	2.559	4	<b>006-1142</b>	-
PM 65	Steel	Class 8.8 to ISO 898	Bolts	M14	70	2.756	4	<b>006-1143</b>	<b>006-1146</b>
PM 80	Steel	Class 8.8 to ISO 898	Bolts + nuts	M20	70	2.756	16	<b>027F2126</b>	-
PM 100	Steel	Class 8.8 to ISO 898	Bolts + nuts	M20	75	2.953	16	<b>027F2127</b>	-

## Data sheet – Spare parts and accessories

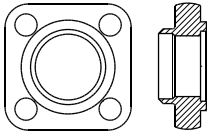
### Flanges for ICV PM Valve housings

	For product	Connection size		Material	Flange type	Design	Connection standard	Connection type	Shape	Code no.
		[in.]	[mm]							

Tongue (oval):



Tongue (Square):



#### Flange version 3

ICV PM 25	1	25	Stainless steel	Set	Tongue/tongue	EN 10220	Butt welding	Oval	192H3014
ICV PM 25	¾	20	Stainless steel	Set	Tongue/tongue	EN 10220	Butt welding	Oval	192H3045
ICV PM 25	¾	20	Steel	Set	Tongue/tongue	EN 10220	Butt welding	Oval	027N1220
ICV PM 25	1	25	Steel	Set	Tongue/tongue	EN 10220	Butt welding	Oval	027N1225
ICV PM 25	1¼	32	Steel	Set	Tongue/tongue	EN 10220	Butt welding	Oval	027N1230
ICV PM 25	¾	20	Steel	Set	Tongue/tongue	ASME B 36.10M	Butt welding	Oval	027N3031
ICV PM 25	1	25	Steel	Set	Tongue/tongue	ASME B 36.10M	Butt welding	Oval	027N3032
ICV PM 25	1¼	32	Steel	Set	Tongue/tongue	ASME B 36.10M	Butt welding	Oval	027N3033
ICV PM 25	¾	20	Steel	Set	Tongue/tongue	ASME B 16.11	Socket welding	Oval	027N2001
ICV PM 25	1	25	Steel	Set	Tongue/tongue	ASME B 16.11	Socket welding	Oval	027N2002
ICV PM 25	¾	20	Steel	Set	Tongue/tongue	ANSI/ASME B1.20.1	FPT inside thread, NPT	Oval	027G1001
ICV PM 25	1	25	Steel	Set	Tongue/tongue	ANSI/ASME B1.20.1	FPT inside thread, NPT	Oval	027G1002
ICV PM 25	-	22	Brass	Set	Tongue/tongue	EN 1254	Soldering	Oval	027L1222
ICV PM 25	-	28	Brass	Set	Tongue/tongue	EN 1254	Soldering	Oval	027L1228
ICV PM 25	7/8	-	Brass	Set	Tongue/tongue	ASME B 16.22	Soldering	Oval	027L1223
ICV PM 25	1½	-	Brass	Set	Tongue/tongue	ASME B 16.22	Soldering	Oval	027L1229

#### Flange version 10

ICV PM 32	1½	40	Stainless steel	Set	Tongue/tongue	EN 10220	Butt welding	Square	192H3016
ICV PM 32	1¼	32	Steel	Set	Tongue/tongue	EN 10220	Butt welding	Square	027N2332
ICV PM 32	1½	40	Steel	Set	Tongue/tongue	EN 10220	Butt welding	Square	027N2340
ICV PM 32	1¾	-	Steel	Set	Tongue/tongue	ASME B 16.22	Soldering	Square	027L2335

#### Flange version 11

ICV PM 40	2	50	Stainless steel	Set	Tongue/tongue	EN 10220	Butt welding	Square	192H3018
ICV PM 40	1½	40	Steel	Set	Tongue/tongue	EN 10220	Butt welding	Square	027N2440
ICV PM 40	2	50	Steel	Set	Tongue/tongue	EN 10220	Butt welding	Square	027N2450
ICV PM 40	1½	40	Steel	Set	Tongue/tongue	ASME B 16.11	Socket welding	Square	027N2004
ICV PM 40	-	42	Steel	Set	Tongue/tongue	EN 1254	Soldering	Square	027L2442
ICV PM 40	1¾	-	Steel	Set	Tongue/tongue	ASME B 16.22	Soldering	Square	027L2441

#### Flange version 12

ICV PM 50	2	50	Steel	Set	Tongue/tongue	EN 10220	Butt welding	Square	027N2550
ICV PM 50	2½	65	Steel	Set	Tongue/tongue	EN 10220	Butt welding	Square	027N2565
ICV PM 50	2	50	Steel	Set	Tongue/tongue	ASME B 16.11	Socket welding	Square	027N2005
ICV PM 50	2¾	54	Steel	Set	Tongue/tongue	ASME B 16.22	Soldering	Square	027L2554

#### Flange version 13

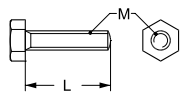
ICV PM 65	2½	65	Steel	Set	Tongue/tongue	EN 10220	Butt welding	Square	027N2665
ICV PM 65	3	80	Steel	Set	Tongue/tongue	EN 10220	Butt welding	Square	027N2680
ICV PM 65	-	76	Steel	Set	Tongue/tongue	ASME B 16.22	Soldering	Square	027L2666
ICV PM 65	2¾	-	Steel	Set	Tongue/tongue	ASME B 16.22	Soldering	Square	027L2676

Flange version 3, 10, 11, 12, 13: Each code no. includes two flanges.

### Flange gaskets

For flange version	Gasket dimensions ID x OD x h [mm]	Gasket dimensions ID x OD x h [in.]	Multipack qty	Code no.
10	42.5 × 57.5 × 1.5	1.673 × 2.264 × 0.059	40	027F2176
11	51 × 65 × 1.5	2.008 × 2.559 × 0.059	40	027F2177
12	60.5 × 75.5 × 1.5	2.382 × 2.972 × 0.059	40	027F2178

### Bolts and nuts for flange connections



Type	Material	Material property class	Description	M [mm]	L [mm]	L [in.]	Qty	Code no. Bolts	Code no. Nuts
ICV PM 25	Stainless steel	Class A2/A4 to DIN 267	Bolts	M12	45	1.772	4	027F2220	-
ICV PM 32 / ICV PM 40	Stainless steel	Class A2/A4 to DIN 267	Bolts	M12	45	1.772	8	027F2221	-
ICV PM 50	Stainless steel	Class A2/A4 to DIN 267	Bolts + nuts	M14	65	2.559	8	027F2222	-
ICV PM 25-40	Steel	Class 8.8 to ISO 898	Bolts	M12	45	1.772	4	006-1141	-
ICV PM 50	Steel	Class 8.8 to ISO 898	Bolts	M14	65	2.559	4	006-1142	-
ICV PM 65	Steel	Class 8.8 to ISO 898	Bolts	M14	70	2.756	4	006-1143	006-1146

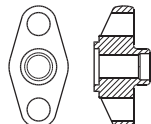


## Data sheet – Spare parts and accessories

### Flanges for PMC Pilot operated servo valves

	For product	Connection size		Material	Flange type	Design	Connection standard	Connection type	Shape	Code no.
		[in.]	[mm]							

Tongue (oval):

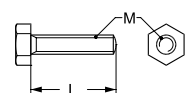


#### Flange version 3

PMC 5 / PMC 8 / PMC 12 / PMC 20	1	25	Stainless steel	Set	Tongue/tongue	EN 10220	Butt welding	Oval	<b>192H3014</b>
PMC 5 / PMC 8 / PMC 12 / PMC 20	¾	20	Stainless steel	Set	Tongue/tongue	EN 10220	Butt welding	Oval	<b>192H3045</b>
PMC 5 / PMC 8 / PMC 12 / PMC 20	¾	20	Steel	Set	Tongue/tongue	EN 10220	Butt welding	Oval	<b>027N1220</b>
PMC 5 / PMC 8 / PMC 12 / PMC 20	1	25	Steel	Set	Tongue/tongue	EN 10220	Butt welding	Oval	<b>027N1225</b>
PMC 5 / PMC 8 / PMC 12 / PMC 20	1¼	32	Steel	Set	Tongue/tongue	EN 10220	Butt welding	Oval	<b>027N1230</b>
PMC 5 / PMC 8 / PMC 12 / PMC 20	¾	20	Steel	Set	Tongue/tongue	ASME B 36.10M	Butt welding	Oval	<b>027N3031</b>
PMC 5 / PMC 8 / PMC 12 / PMC 20	1	25	Steel	Set	Tongue/tongue	ASME B 36.10M	Butt welding	Oval	<b>027N3032</b>
PMC 5 / PMC 8 / PMC 12 / PMC 20	1¼	32	Steel	Set	Tongue/tongue	ASME B 36.10M	Butt welding	Oval	<b>027N3033</b>
PMC 5 / PMC 8 / PMC 12 / PMC 20	¾	20	Steel	Set	Tongue/tongue	ASME B 16.11	Socket welding	Oval	<b>027N2001</b>
PMC 5 / PMC 8 / PMC 12 / PMC 20	1	25	Steel	Set	Tongue/tongue	ASME B 16.11	Socket welding	Oval	<b>027N2002</b>
PMC 5 / PMC 8 / PMC 12 / PMC 20	¾	20	Steel	Set	Tongue/tongue	ANSI/ASME B1.20.1	FPT inside thread, NPT	Oval	<b>027G1001</b>
PMC 5 / PMC 8 / PMC 12 / PMC 20	1	25	Steel	Set	Tongue/tongue	ANSI/ASME B1.20.1	FPT inside thread, NPT	Oval	<b>027G1002</b>
PMC 5 / PMC 8 / PMC 12 / PMC 20	-	22	Brass	Set	Tongue/tongue	EN 1254	Soldering	Oval	<b>027L1222</b>
PMC 5 / PMC 8 / PMC 12 / PMC 20	-	28	Brass	Set	Tongue/tongue	EN 1254	Soldering	Oval	<b>027L1228</b>
PMC 5 / PMC 8 / PMC 12 / PMC 20	7/8	-	Brass	Set	Tongue/tongue	ASME B 16.22	Soldering	Oval	<b>027L1223</b>
PMC 5 / PMC 8 / PMC 12 / PMC 20	1 1/8	-	Brass	Set	Tongue/tongue	ASME B 16.22	Soldering	Oval	<b>027L1229</b>

Flange version 3: Each code no. includes two flanges.

### Bolts for flange connections



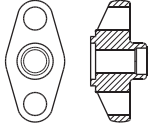
Type	Material	Material property class	M [mm]	L [mm]	L [in.]	Qty	Code no.
PMC 5 / PMC 8 / PMC 12 / PMC 20	Stainless steel	Class A2/A4 to DIN 267	M12	45	1.772	4	<b>027F2220</b>
PMC 5 / PMC 8 / PMC 12 / PMC 20	Steel	Class 8.8 to ISO 898	M12	45	1.772	4	<b>006-1141</b>

## Data sheet – Spare parts and accessories

### Flanges for CVMD Pressure regulating valves

	For product	Connection size		Material	Flange 'type	Design	Connection standard	Connection type	Shape	Code no.
		[in.]	[mm]							

Tongue (oval):



#### Flange version 1.3

CVMD	¾	20	Stainless steel	Set	Tongue/tongue	EN 10220	Butt welding	Oval	<b>192H3254</b>
------	---	----	-----------------	-----	---------------	----------	--------------	------	-----------------

Flange version 1.3: Each code no. includes two flanges.

### Flange gaskets

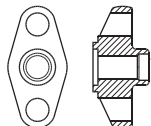
For flange version	Gasket dimensions ID x OD x h [mm]	Gasket dimensions ID x OD x h [in.]	Multipack	Code no.
			qty	
1.3	22 × 32 × 1.0	0.866 × 1.260 × 0.039	40	<b>020-2133</b>

## Data sheet – Spare parts and accessories

### Flanges for FA Strainers

	For product	Connection size		Material	Flange type	Design	Connection standard	Connection type	Shape	Code no.
		[in.]	[mm]							

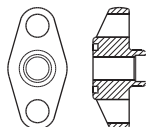
Tongue (oval):



#### Flange version 1.1

FA 15	3/8	10	Steel	Set	Groove	EN 10220	Butt welding	Oval	006-1111
FA 15	1/2	15	Steel	Set	Groove	EN 10220	Butt welding	Oval	006-1112
FA 15	3/4	20	Steel	Set	Groove	EN 10220	Butt welding	Oval	006-1113
FA 15	1/2	15	Brass	Set	Groove	ASME B 16.22	Soldering	Oval	006-1150
FA 15	5/8	16	Brass	Set	Groove	ASME B 16.22	Soldering	Oval	006-1151
FA 15	7/8	22	Brass	Set	Groove	ASME B 16.22	Soldering	Oval	006-1153
FA 15	1	25	Brass	Set	Groove	ASME B 16.22	Soldering	Oval	006-1158

Groove (oval):



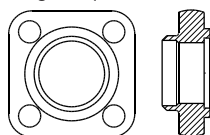
#### Flange version 1.3

FA 20	3/4	20	Stainless steel	Set	Tongue/tongue	EN 10220	Butt welding	Oval	192H3254
-------	-----	----	-----------------	-----	---------------	----------	--------------	------	----------

#### Flange version 2.1

FA 20	1/2	15	Steel	Set	Tongue/Groove	EN 10220	Butt welding	Oval	006-1114
FA 20	3/4	20	Steel	Set	Tongue/Groove	EN 10220	Butt welding	Oval	006-1115
FA 20	1	25	Steel	Set	Tongue/Groove	EN 10220	Butt welding	Oval	006-1116

Tongue (Square):



#### Flange version 2.3

FA 20	-	22	Brass	Set	Tongue/Groove	EN 1254	Soldering	Oval	006-1180
FA 20	1 1/8	-	Brass	Set	Tongue/Groove	ASME B 16.22	Soldering	Oval	006-1157

#### Flange version 3

FA 20	3/4	20	Stainless steel	Set	Tongue/tongue	EN 10220	Butt welding	Oval	192H3045
FA 20	1	25	Stainless steel	Set	Tongue/tongue	EN 10220	Butt welding	Oval	192H3014
FA 20	3/4	20	Steel	Set	Tongue/tongue	EN 10220	Butt welding	Oval	027N1220
FA 20	1	25	Steel	Set	Tongue/tongue	EN 10220	Butt welding	Oval	027N1225
FA 20	1 1/4	32	Steel	Set	Tongue/tongue	EN 10220	Butt welding	Oval	027N1230
FA 20	3/4	20	Steel	Set	Tongue/tongue	ASME B 36.10M	Butt welding	Oval	027N3031
FA 20	1	25	Steel	Set	Tongue/tongue	ASME B 36.10M	Butt welding	Oval	027N3032
FA 20	1 1/4	32	Steel	Set	Tongue/tongue	ASME B 36.10M	Butt welding	Oval	027N3033
FA 20	3/4	20	Steel	Set	Tongue/tongue	ASME B 16.11	Socket welding	Oval	027N2001
FA 20	1	25	Steel	Set	Tongue/tongue	ASME B 16.11	Socket welding	Oval	027N2002
FA 20	3/4	20	Steel	Set	Tongue/tongue	ANSI/ASME B1.20.1	FPT inside thread, NPT	Oval	027G1001
FA 20	-	22	Brass	Set	Tongue/tongue	EN 1254	Soldering	Oval	027L1222
FA 20	-	28	Brass	Set	Tongue/tongue	EN 1254	Soldering	Oval	027L1228
FA 20	7/8	-	Brass	Set	Tongue/tongue	ASME B 16.22	Soldering	Oval	027L1223
FA 20	1 1/8	-	Brass	Set	Tongue/tongue	ASME B 16.22	Soldering	Oval	027L1229

#### Flange version 5

FA 20	1	25	Steel	Set	Tongue/tongue	EN 10220	Butt welding	Square	006-1117
FA 25	1 1/4	32	Steel	Set	Tongue/tongue	EN 10220	Butt welding	Square	027N1032
FA 25	1 1/8	-	Steel	Set	Tongue/tongue	EN 10220	Butt welding	Square	006-1159

Flange version 1.1: Each code no. includes two flanges, two flange gaskets, two staybolts (M12 x 127 mm), and four nuts (M12).

Flange version 1.3: Each code no. includes two flanges.

Flange version 2.1: Each code no. includes two flanges, two flange gaskets, two staybolts, and four nuts.

Flange version 2.3: Each code no. includes two flanges.

Flange version 3: Each code no. includes two flanges.

Flange version 5: Each code no. includes two flanges

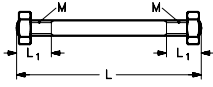
### Flange gaskets

For flange version	Gasket dimensions ID x OD x h [mm]	Gasket dimensions ID x OD x h [in.]	Multipack qty	Code no.
1.1 + 1.3	22 x 32 x 1.0	0.866 x 1.260 x 0.039	40	020-2133
5	45.5 x 59.5 x 1.5	1.791 x 2.342 x 0.059	40	026H0050

## Data sheet – Spare parts and accessories

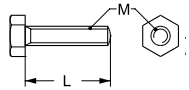
### Flanges for FA Strainers (continued)

#### Set of staybolts and gaskets for flanges



Set of staybolts and gaskets for	Material	Thread [M]	L <sub>1</sub> [mm]	L <sub>1</sub> [in.]	L [mm]	L [in.]	Staybolts qty	Nuts qty	Gaskets qty	Code no.
FA 15	Steel	M12	19	0.748	107	4.212	2	4	3	006-1101
FA 15 / FA 20	Steel	M12	19	0.748	127	5.000	2	4	3	006-1108
FA 20	Steel	M12	22	0.866	160	6.299	2	4	3	006-1136

#### Bolts for flange connections



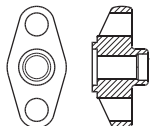
Type	Material	Material property class	M [mm]	L [mm]	L [in.]	Qty	Code no.
FA 25	Steel	Class 8.8 to ISO 898	M12	35	1.378	4	006-1139

## Data sheet – Spare parts and accessories

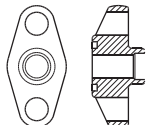
### Flanges for NRVA Check valves

	For product	Connection size		Material	Flange type	Design	Connection standard	Connection type	Shape	Code no.
		[in.]	[mm]							

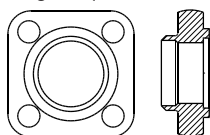
#### Tongue (oval):



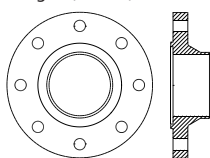
#### Groove (oval):



#### Tongue (Square):



#### Tongue (Round):



#### Flange version 1

NRVA 15 / NRVA 20	¼	6	Steel	Single	Tongue	EN 10220	Butt welding	Oval	006-1118
NRVA 15 / NRVA 20	¼	6	Steel	Single	Groove	EN 10220	Butt welding	Oval	006-1119
NRVA 15 / NRVA 20	¾	10	Steel	Single	Tongue	EN 10220	Butt welding	Oval	006-1120
NRVA 15 / NRVA 20	¾	10	Steel	Single	Groove	EN 10220	Butt welding	Oval	006-1121
NRVA 15 / NRVA 20	½	15	Steel	Single	Tongue	EN 10220	Butt welding	Oval	006-1122
NRVA 15 / NRVA 20	½	15	Steel	Single	Groove	EN 10220	Butt welding	Oval	006-1123
NRVA 15 / NRVA 20	¾	20	Steel	Single	Tongue	EN 10220	Butt welding	Oval	006-1124
NRVA 15 / NRVA 20	¾	20	Steel	Single	Groove	EN 10220	Butt welding	Oval	006-1125
NRVA 15 / NRVA 20	½	-	Brass	Single	Tongue	ASME B 16.22	Soldering	Oval	006-1160
NRVA 15 / NRVA 20	½	-	Brass	Single	Groove	ASME B 16.22	Soldering	Oval	006-1161
NRVA 15 / NRVA 20	⅝	-	Brass	Single	Tongue	ASME B 16.22	Soldering	Oval	006-1162
NRVA 15 / NRVA 20	⅝	-	Brass	Single	Groove	ASME B 16.22	Soldering	Oval	006-1163
NRVA 15 / NRVA 20	⅞	-	Brass	Single	Tongue	ASME B 16.22	Soldering	Oval	006-1176
NRVA 15 / NRVA 20	⅞	-	Brass	Single	Groove	ASME B 16.22	Soldering	Oval	006-1177
NRVA 15 / NRVA 20	1	-	Brass	Single	Tongue	ASME B 16.22	Soldering	Oval	006-1166

#### Flange version 1.2

NRVA 15 / NRVA 20	-	15 x 15	Steel	Set	Tongue/tongue	EN 10220	Butt welding	Oval	027B0181
NRVA 15 / NRVA 20	⅝ x ⅞	-	Brass	Set	Tongue/tongue	ASME B 16.22	Soldering	Oval	006-1195

#### Flange version 1.3

NRVA 15 / NRVA 20	¾	20	Stainless steel	Set	Tongue/tongue	EN 10220	Butt welding	Oval	192H3254
NRVA 15 / NRVA 20	¾	10	Steel	Set	Tongue/tongue	EN 10220	Butt welding	Oval	027N1112
NRVA 15 / NRVA 20	½	15	Steel	Set	Tongue/tongue	EN 10220	Butt welding	Oval	027N1115
NRVA 15 / NRVA 20	¾	20	Steel	Set	Tongue/tongue	EN 10220	Butt welding	Oval	027N1120
NRVA 15 / NRVA 20	¾	10	Steel	Set	Tongue/tongue	ASME B 36.10M	Butt welding	Oval	027N2020
NRVA 15 / NRVA 20	½	15	Steel	Set	Tongue/tongue	ASME B 36.10M	Butt welding	Oval	027N2021
NRVA 15 / NRVA 20	¾	20	Steel	Set	Tongue/tongue	ASME B 36.10M	Butt welding	Oval	027N2022
NRVA 15 / NRVA 20	¾	10	Steel	Set	Tongue/tongue	ASME B 16.11	Socket welding	Oval	027N2010
NRVA 15 / NRVA 20	½	15	Steel	Set	Tongue/tongue	ASME B 16.11	Socket welding	Oval	027N2011
NRVA 15 / NRVA 20	¾	10	Steel	Set	Tongue/tongue	ANSI/ASME B1.20.1	FPT inside thread, NPT	Oval	027G1005
NRVA 15 / NRVA 20	½	15	Steel	Set	Tongue/tongue	ANSI/ASME B1.20.1	FPT inside thread, NPT	Oval	027G1006
NRVA 15 / NRVA 20	-	16	Brass	Set	Tongue/tongue	EN 1254	Soldering	Oval	027L1116
NRVA 15 / NRVA 20	-	22	Brass	Set	Tongue/tongue	EN 1254	Soldering	Oval	027L1122
NRVA 15 / NRVA 20	⅝	-	Brass	Set	Tongue/tongue	ASME B 16.22	Soldering	Oval	027L1117
NRVA 15 / NRVA 20	⅞	-	Brass	Set	Tongue/tongue	ASME B 16.22	Soldering	Oval	027L1123

#### Flange version 4

NRVA 25 / NRVA 32	1	25	Steel	Set	Tongue/tongue	EN 10220	Butt welding	Square	027N1026
NRVA 25 / NRVA 32	1¼	32	Steel	Set	Tongue/tongue	EN 10220	Butt welding	Square	027N1033
NRVA 25 / NRVA 32	1	25	Steel	Set	Tongue/tongue	ASME B 36.10M	Butt welding	Square	027N2023
NRVA 25 / NRVA 32	1¼	32	Steel	Set	Tongue/tongue	ASME B 36.10M	Butt welding	Square	027N2024
NRVA 25 / NRVA 32	¾	20	Steel	Set	Tongue/tongue	ASME B 16.11	Socket welding	Square	027N2012
NRVA 25 / NRVA 32	1	25	Steel	Set	Tongue/tongue	ASME B 16.11	Socket welding	Square	027N2013
NRVA 25 / NRVA 32	1¼	32	Steel	Set	Tongue/tongue	ASME B 16.11	Socket welding	Square	027N2016
NRVA 25 / NRVA 32	¾	20	Steel	Set	Tongue/tongue	ANSI/ASME B1.20.1	FPT inside thread, NPT	Square	027G1007

#### Flange version 6

NRVA 40 / NRVA 50	1½	40	Steel	Set	Tongue/tongue	EN 10220	Butt welding	Square	027N1042
NRVA 40 / NRVA 50	2	50	Steel	Set	Tongue/tongue	EN 10220	Butt welding	Square	027N1051
NRVA 40 / NRVA 50	1½	40	Steel	Set	Tongue/tongue	ASME B 36.10M	Butt welding	Square	027N2025
NRVA 40 / NRVA 50	2	50	Steel	Set	Tongue/tongue	ASME B 36.10M	Butt welding	Square	027N2026
NRVA 40 / NRVA 50	2½	54	Steel	Set	Tongue/tongue	ASME B 16.22	Soldering	Square	027L2554

#### Flange version 8

NRVA 65	2½	65	Steel	Set	Tongue/tongue	EN 10220	Butt welding	Round	027N1055
NRVA 65	2½	65	Steel	Set	Tongue/tongue	ASME B 36.10M	Butt welding	Round	027N2027

Flange version 1: Each code no. includes one flange and one flange gasket.

Flange version 1.2: Each code no. includes two flanges, two flange gaskets, two staybolts (M12 × 135 mm / M12 × 127 mm) and four nuts (M12).

Flange version 1.3: Each code no. includes two flanges.

Flange version 4: Each code no. includes two flanges.

Flange version 6: Each code no. includes two flanges.

Flange version 8: Each code no. includes two flanges.

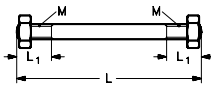
## Data sheet – Spare parts and accessories

### Flanges for NRVA Check valves (continued)

#### Flange gaskets

For flange version	Gasket dimensions ID x OD x h [mm]	Gasket dimensions ID x OD x h [in.]	Multipack qty	Code no.
1 + 1.2 + 1.3	22 x 32 x 1.0	0.866 x 1.260 x 0.039	40	020-2133
4	42.5 x 57.5 x 1.5	1.673 x 2.264 x 0.059	40	027F2176
6	60.5 x 75.5 x 1.5	2.382 x 2.972 x 0.059	40	027F2178
8	94 x 110 x 2	3.701 x 4.331 x 0.079	40	020-2136

#### Set of staybolts and gaskets for flanges



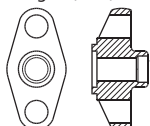
Set of staybolts and gaskets for	Material	Thread [M]	L <sub>1</sub> [mm]	L <sub>1</sub> [in.]	L [mm]	L [in.]	Staybolts qty	Nuts qty	Gaskets qty	Code no.
NRVA 15 / NRVA 20	Steel	M 12	19	0.748	115	4.527	2	4	3	006-1107
NRVA 25 / NRVA 32	Steel	M 12	12	0.472	148	5.827	4	8	2	006-1135
NRVA 40 / NRVA 50	Steel	M 12	22	0.866	167	6.575	4	8	2	006-1137
NRVA 65	Steel	M 16	25	0.984	200	7.874	8	16	2	006-1138

## Data sheet – Spare parts and accessories

### Flanges for NRVS Check valves

	For product	Connection size		Material	Flange type	Design	Connection standard	Connection type	Shape	Code no.
		[in.]	[mm]							

Tongue (oval):



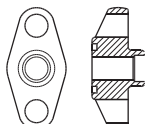
#### Standard + Special flange <sup>1)</sup>

NRVS 15	¾	20	Steel	Set	Groove/Tongue	EN 10220	Butt welding	Oval	<b>027N1255</b>
NRVS 25	1	25	Steel	Set	Groove/Tongue	EN 10220	Butt welding	Oval	<b>027N1254</b>

#### Standard + Special flange <sup>2)</sup>

NRVS 15	¾	20	Steel	Set	Groove/Groove	EN 10220	Butt welding	Oval	<b>027N1256</b>
NRVS 25	1	25	Steel	Set	Groove/Groove	EN 10220	Butt welding	Oval	<b>027N1257</b>

Groove (oval):



<sup>1)</sup> Each code no. includes one standard flange and one special flange, one gasket and 2 bolts.

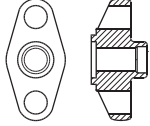
<sup>2)</sup> Each code no. includes One standard flange and one special flange, two gasket, 2 bolts and 2 nuts.

## Data sheet – Spare parts and accessories

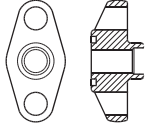
### Flanges for PMFL Liquid level regulating valves

	For product	Connection size		Material	Flange type	Design	Connection standard	Connection type	Shape	Code no.
		[in.]	[mm]							

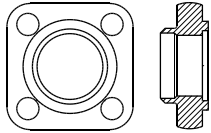
#### Tongue (oval):



#### Groove (oval):



#### Tongue (Square):



#### Flange version 3

PMFL 80	1	25	Stainless steel	Set	Tongue/tongue	EN 10220	Butt welding	Oval	192H3014
PMFL 80	¾	20	Stainless steel	Set	Tongue/tongue	EN 10220	Butt welding	Oval	192H3045
PMFL 80	¾	20	Steel	Set	Tongue/tongue	EN 10220	Butt welding	Oval	027N1220
PMFL 80	1	25	Steel	Set	Tongue/tongue	EN 10220	Butt welding	Oval	027N1225
PMFL 80	1¼	32	Steel	Set	Tongue/tongue	EN 10220	Butt welding	Oval	027N1230
PMFL 80	¾	20	Steel	Set	Tongue/tongue	ASME B 36.10M	Butt welding	Oval	027N3031
PMFL 80	1	25	Steel	Set	Tongue/tongue	ASME B 36.10M	Butt welding	Oval	027N3032
PMFL 80	1¼	32	Steel	Set	Tongue/tongue	ASME B 36.10M	Butt welding	Oval	027N3033
PMFL 80	¾	20	Steel	Set	Tongue/tongue	ASME B 16.11	Socket welding	Oval	027N2001
PMFL 80	1	25	Steel	Set	Tongue/tongue	ASME B 16.11	Socket welding	Oval	027N2002
PMFL 80	¾	20	Steel	Set	Tongue/tongue	ANSI/ASME B1.20.1	FPT inside thread, NPT	Oval	027G1001
PMFL 80	1	25	Steel	Set	Tongue/tongue	ANSI/ASME B1.20.1	FPT inside thread, NPT	Oval	027G1002
PMFL 80	-	22	Brass	Set	Tongue/tongue	EN 1254	Soldering	Oval	027L1222
PMFL 80	-	28	Brass	Set	Tongue/tongue	EN 1254	Soldering	Oval	027L1228
PMFL 80	7/8	-	Brass	Set	Tongue/tongue	ASME B 16.22	Soldering	Oval	027L1223
PMFL 80	1 1/8	-	Brass	Set	Tongue/tongue	ASME B 16.22	Soldering	Oval	027L1229

#### Flange version 10

PMFL 125	1½	40	Stainless steel	Set	Tongue/tongue	EN 10220	Butt welding	Square	192H3016
PMFL 125	1¼	32	Steel	Set	Tongue/tongue	EN 10220	Butt welding	Square	027N2332
PMFL 125	1½	40	Steel	Set	Tongue/tongue	EN 10220	Butt welding	Square	027N2340
PMFL 125	1 3/8	-	Steel	Set	Tongue/tongue	ASME B 16.22	Soldering	Square	027L2335

#### Flange version 11

PMFL 200	2	50	Stainless steel	Set	Tongue/tongue	EN 10220	Butt welding	Square	192H3018
PMFL 200	1½	40	Steel	Set	Tongue/tongue	EN 10220	Butt welding	Square	027N2440
PMFL 200	2	50	Steel	Set	Tongue/tongue	EN 10220	Butt welding	Square	027N2450
PMFL 200	1½	40	Steel	Set	Tongue/tongue	ASME B 16.11	Socket welding	Square	027N2004
PMFL 200	-	42	Steel	Set	Tongue/tongue	EN 1254	Soldering	Square	027L2442
PMFL 200	1 5/8	-	Steel	Set	Tongue/tongue	ASME B 16.22	Soldering	Square	027L2441

#### Flange version 12

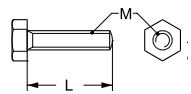
PMFL 300	2	50	Steel	Set	Tongue/tongue	EN 10220	Butt welding	Square	027N2550
PMFL 300	2½	65	Steel	Set	Tongue/tongue	EN 10220	Butt welding	Square	027N2565
PMFL 300	2	50	Steel	Set	Tongue/tongue	ASME B 16.11	Socket welding	Square	027N2005
PMFL 300	2 1/8	54	Steel	Set	Tongue/tongue	ASME B 16.22	Soldering	Square	027L2554

Flange version 3, 10, 11, 12: Each code no. includes two flanges.

### Flange gaskets

For flange version	Gasket dimensions ID x OD x h [mm]	Gasket dimensions ID x OD x h [in.]	Multipack	Code no.
			qty	
10	42.5 × 57.5 × 1.5	1.673 × 2.264 × 0.059	40	027F2176
11	51 × 65 × 1.5	2.008 × 2.559 × 0.059	40	027F2177
12	60.5 × 75.5 × 1.5	2.382 × 2.972 × 0.059	40	027F2178

### Bolts and nuts for flange connections



Type	Material	Material property class	Description	M [mm]	L [mm]	L [in.]	Qty	Code no. Bolts	Code no. Nuts
PMFL 80	Stainless steel	Class A2/A4 to DIN 267	Bolts	M12	45	1.772	4	027F2220	-
PMFL 125	Stainless steel	Class A2/A4 to DIN 267	Bolts	M12	45	1.772	8	027F2221	-
PMFL 300	Stainless steel	Class A2/A4 to DIN 267	Bolts + nuts	M14	65	2.559	8	027F2222	-
PMFL 80 / PMFL 125 / PMFL 200	Steel	Class 8.8 to ISO 898	Bolts	M12	45	1.772	4	006-1141	
PMFL 300	Steel	Class 8.8 to ISO 898	Bolts	M14	65	2.559	4	006-1142	006-1146

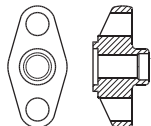


## Data sheet – Spare parts and accessories

### Flanges for PMFH Liquid level regulating valves

	For product	Connection size		Material	Flange type	Design	Connection standard	Connection type	Shape	Code no.
		[in.]	[mm]							

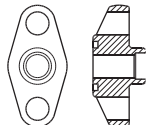
#### Tongue (oval):



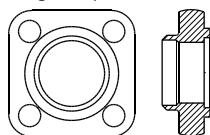
#### Flange version 3

PMFH 80	1	25	Stainless steel	Set	Tongue/tongue	EN 10220	Butt welding	Oval	192H3014
PMFH 80	¾	20	Stainless steel	Set	Tongue/tongue	EN 10220	Butt welding	Oval	192H3045
PMFH 80	¾	20	Steel	Set	Tongue/tongue	EN 10220	Butt welding	Oval	027N1220
PMFH 80	1	25	Steel	Set	Tongue/tongue	EN 10220	Butt welding	Oval	027N1225
PMFH 80	1¼	32	Steel	Set	Tongue/tongue	EN 10220	Butt welding	Oval	027N1230
PMFH 80	¾	20	Steel	Set	Tongue/tongue	ASME B 36.10M	Butt welding	Oval	027N3031
PMFH 80	1	25	Steel	Set	Tongue/tongue	ASME B 36.10M	Butt welding	Oval	027N3032
PMFH 80	1¼	32	Steel	Set	Tongue/tongue	ASME B 36.10M	Butt welding	Oval	027N3033
PMFH 80	¾	20	Steel	Set	Tongue/tongue	ASME B 16.11	Socket welding	Oval	027N2001
PMFH 80	1	25	Steel	Set	Tongue/tongue	ASME B 16.11	Socket welding	Oval	027N2002
PMFH 80	¾	20	Steel	Set	Tongue/tongue	ANSI/ASME B1.20.1	FPT inside thread, NPT	Oval	027G1001
PMFH 80	1	25	Steel	Set	Tongue/tongue	ANSI/ASME B1.20.1	FPT inside thread, NPT	Oval	027G1002
PMFH 80	-	22	Brass	Set	Tongue/tongue	EN 1254	Soldering	Oval	027L1222
PMFH 80	-	28	Brass	Set	Tongue/tongue	EN 1254	Soldering	Oval	027L1228
PMFH 80	7/8	-	Brass	Set	Tongue/tongue	ASME B 16.22	Soldering	Oval	027L1223
PMFH 80	1 1/8	-	Brass	Set	Tongue/tongue	ASME B 16.22	Soldering	Oval	027L1229

#### Groove (oval):



#### Tongue (Square):



#### Flange version 10

PMFH 125	1½	40	Stainless steel	Set	Tongue/tongue	EN 10220	Butt welding	Square	192H3016
PMFH 125	1¼	32	Steel	Set	Tongue/tongue	EN 10220	Butt welding	Square	027N2332
PMFH 125	1½	40	Steel	Set	Tongue/tongue	EN 10220	Butt welding	Square	027N2340
PMFH 125	1 3/8	-	Steel	Set	Tongue/tongue	ASME B 16.22	Soldering	Square	027L2335

#### Flange version 11

PMFH 200	2	50	Stainless steel	Set	Tongue/tongue	EN 10220	Butt welding	Square	192H3018
PMFH 200	1½	40	Steel	Set	Tongue/tongue	EN 10220	Butt welding	Square	027N2440
PMFH 200	2	50	Steel	Set	Tongue/tongue	EN 10220	Butt welding	Square	027N2450
PMFH 200	1½	40	Steel	Set	Tongue/tongue	ASME B 16.11	Socket welding	Square	027N2004
PMFH 200	-	42	Steel	Set	Tongue/tongue	EN 1254	Soldering	Square	027L2442
PMFH 200	1 5/8	-	Steel	Set	Tongue/tongue	ASME B 16.22	Soldering	Square	027L2441

#### Flange version 12

PMFH 300	2	50	Steel	Set	Tongue/tongue	EN 10220	Butt welding	Square	027N2550
PMFH 300	2½	65	Steel	Set	Tongue/tongue	EN 10220	Butt welding	Square	027N2565
PMFH 300	2	50	Steel	Set	Tongue/tongue	ASME B 16.11	Socket welding	Square	027N2005
PMFH 300	2 1/8	54	Steel	Set	Tongue/tongue	ASME B 16.22	Soldering	Square	027L2554

#### Flange version 13

PMFH 500	2½	65	Steel	Set	Tongue/tongue	EN 10220	Butt welding	Square	027N2665
PMFH 500	3	80	Steel	Set	Tongue/tongue	EN 10220	Butt welding	Square	027N2680
PMFH 500	-	76	Steel	Set	Tongue/tongue	ASME B 16.22	Soldering	Square	027L2666
PMFH 500	2 5/8	-	Steel	Set	Tongue/tongue	ASME B 16.22	Soldering	Square	027L2676

Flange version 3, 10, 11, 12, 13: Each code no. includes two flanges.

### Flange gaskets

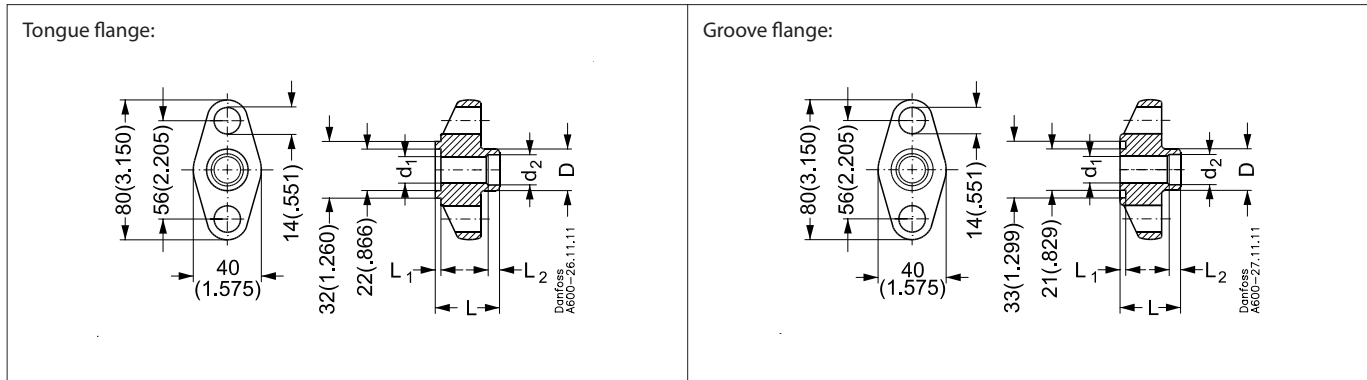
For flange version	Gasket dimensions ID x OD x h [mm]	Gasket dimensions ID x OD x h [in.]	Multipack		Code no.
			qty		
10	42.5 × 57.5 × 1.5	1.673 × 2.264 × 0.059	40		027F2176
11	51 × 65 × 1.5	2.008 × 2.559 × 0.059	40		027F2177
12	60.5 × 75.5 × 1.5	2.382 × 2.972 × 0.059	40		027F2178

### Bolts and nuts for flange connections

	Type	Material	Material property class	Description	M [mm]	L [mm]	L [in.]	Qty	Code no. Bolts	Code no. Nuts
	PMFH 80	Stainless steel	Class A2/A4 to DIN 267	Bolts	M12	45	1.772	4	027F2220	-
	PMFH 125 / PMFH 200	Stainless steel	Class A2/A4 to DIN 267	Bolts	M12	45	1.772	8	027F2221	-
	PMFH 300	Stainless steel	Class A2/A4 to DIN 267	Bolts + nuts	M14	65	2.559	8	027F2222	-
	PMFH 80 / PMFH 125 / PMFH 200	Steel	Class 8.8 to ISO 898	Bolts	M12	45	1.772	4	006-1141	-
	PMFH 300	Steel	Class 8.8 to ISO 898	Bolts	M14	65	2.559	4	006-1142	006-1146
	PMFH 500	Steel	Class 8.8 to ISO 898	Bolts	M14	70	2.756	4	006-1143	006-1146

## Data sheet – Spare parts and accessories

### Flange version 1 (1, 1.1, 1.2, 1.3)



### Butt welding EN 10220

Tongue flanges:

Size [mm]	Size [in.]	D [mm]	D [in.]	d <sub>1</sub> [mm]	d <sub>1</sub> [in.]	d <sub>2</sub> [mm]	d <sub>2</sub> [in.]	L [mm]	L [in.]	L <sub>1</sub> [mm]	L <sub>1</sub> [in.]	L <sub>2</sub> [mm]	L <sub>2</sub> [in.]
6	¼	14	0.551	8	0.315	10	0.394	32.5	1.279	3	0.118	6	0.236
10	⅜	18	0.709	10	0.394	14	0.551	32.5	1.279	3	0.118	6	0.236
15	½	22	0.866	14	0.551	17	0.669	32.5	1.279	3	0.118	6	0.236
20	¾	27	1.063	19	0.748	22	0.866	32.5	1.279	3	0.118	6	0.236

### Butt welding EN 10220

Groove flanges:

Size [mm]	Size [in.]	D [mm]	D [in.]	d <sub>1</sub> [mm]	d <sub>1</sub> [in.]	d <sub>2</sub> [mm]	d <sub>2</sub> [in.]	L [mm]	L [in.]	L <sub>1</sub> [mm]	L <sub>1</sub> [in.]	L <sub>2</sub> [mm]	L <sub>2</sub> [in.]
6	¼	14	0.551	8	0.315	10	0.394	32.5	1.279	2	0.079	6	0.236
10	⅜	18	0.709	10	0.394	14	0.551	32.5	1.279	2	0.079	6	0.236
15	½	22	0.866	14	0.551	17	0.669	32.5	1.279	2	0.079	6	0.236
20	¾	27	1.063	19	0.748	22	0.866	32.5	1.279	2	0.079	6	0.236

### Soldering ASME B 16.22

Tongue flanges:

Size [mm]	Size [in.]	D [mm]	D [in.]	d <sub>1</sub> [mm]	d <sub>1</sub> [in.]	d <sub>2</sub> [mm]	d <sub>2</sub> [in.]	L [mm]	L [in.]	L <sub>1</sub> [mm]	L <sub>1</sub> [in.]	L <sub>2</sub> [mm]	L <sub>2</sub> [in.]
-	½	17	0.669	10	0.394	12.7	0.500	29.5	1.161	3	0.118	17.5	0.689
-	⅝	21	0.827	13	0.512	15.9	0.626	29.5	1.161	3	0.118	20.5	0.807
-	⅞	27	1.063	19	0.748	22.2	0.874	29.5	1.161	3	0.118	22	0.866
-	1	30	1.181	18	0.709	25.5	1.004	29.5	1.161	3	0.118	22	0.866

### Soldering ASME B 16.22

Groove flanges:

Size [mm]	Size [in.]	D [mm]	D [in.]	d <sub>1</sub> [mm]	d <sub>1</sub> [in.]	d <sub>2</sub> [mm]	d <sub>2</sub> [in.]	L [mm]	L [in.]	L <sub>1</sub> [mm]	L <sub>1</sub> [in.]	L <sub>2</sub> [mm]	L <sub>2</sub> [in.]
-	½	17	0.669	10	0.394	12.7	0.500	26.5	1.043	3	0.118	17.5	0.689
-	⅝	21	0.827	13	0.512	15.9	0.626	26.5	1.043	3	0.118	20.5	0.807
-	⅞	27	1.063	18	0.709	22.2	0.874	26.5	1.043	3	0.118	22	0.866

### Butt welding ASME B 36.10M

Tongue flange sets:

Size [mm]	Size [in.]	D [mm]	D [in.]	d <sub>1</sub> [mm]	d <sub>1</sub> [in.]	d <sub>2</sub> [mm]	d <sub>2</sub> [in.]	L [mm]	L [in.]	L <sub>1</sub> [mm]	L <sub>1</sub> [in.]	L <sub>2</sub> [mm]	L <sub>2</sub> [in.]
10	⅜	17.1	0.673	10.7	0.421	10.7	0.421	32.5	1.280	3	0.118	6	0.236
15	½	21.3	0.839	13.9	0.547	13.9	0.547	32.5	1.280	3	0.118	6	0.236
20	¾	26.9	1.059	18.9	0.744	18.9	0.744	32.5	1.280	3	0.118	6	0.236

### Socket welding ASME B 16.11

Tongue flange sets:

Size [mm]	Size [in.]	D [mm]	D [in.]	d <sub>1</sub> [mm]	d <sub>1</sub> [in.]	d <sub>2</sub> [mm]	d <sub>2</sub> [in.]	L [mm]	L [in.]	L <sub>1</sub> [mm]	L <sub>1</sub> [in.]	L <sub>2</sub> [mm]	L <sub>2</sub> [in.]
10	⅜	26	1.024	12.5	0.492	17.8	0.701	32.5	1.280	3	0.118	10	0.394
15	½	31.6	1.244	15.8	0.622	22	0.866	32.5	1.280	3	0.118	10	0.394

## Data sheet – Spare parts and accessories

### Flange version 1 (1.1, 1.2, 1.3) - continued

#### FPT inside thread, NPT (ANSI/ASME B 1.20.1)

Tongue flange sets:

Size [mm]	Size [in.]	D [mm]	D [in.]	d <sub>1</sub> [mm]	d <sub>1</sub> [in.]	d <sub>2</sub> [mm]	d <sub>2</sub> [in.]	L [mm]	L [in.]	L <sub>1</sub> [mm]	L <sub>1</sub> [in.]
10	3/8	26	1.024	14.3	0.563	3/8 in.-18 NPT	3/8 in.-18 NPT	32.5	1.477	3	0.118
15	1/2	31.6	1.244	17.8	0.701	1/2 in.-14 NPT	1/2 in.-14 NPT	32.5	1.280	3	0.118

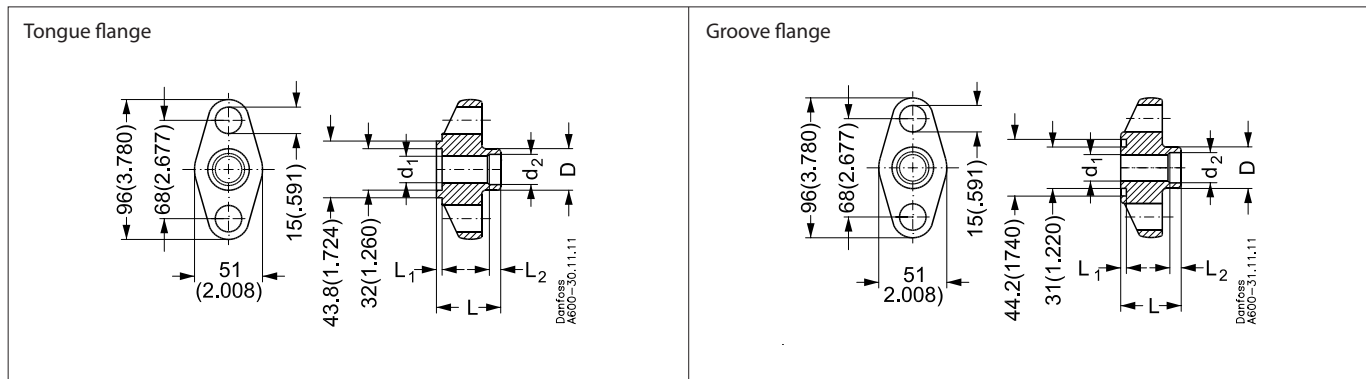
#### Soldering EN 1254

Tongue flange sets:

Size [mm]	Size [in.]	D [mm]	D [in.]	d <sub>1</sub> [mm]	d <sub>1</sub> [in.]	d <sub>2</sub> [mm]	d <sub>2</sub> [in.]	L [mm]	L [in.]	L <sub>1</sub> [mm]	L <sub>1</sub> [in.]	L <sub>2</sub> [mm]	L <sub>2</sub> [in.]
16	-	21	0.827	13	0.512	16	0.630	29.5	2.122	3	0.118	15	0.591
22	-	27	1.063	19	0.748	22.1	0.869	29.5	1.161	3	0.118	22	0.866

## Data sheet – Spare parts and accessories

### Flange version 2 (2.1)



### Butt welding EN 10220

Tongue flanges:

Size [mm]	Size [in.]	D [mm]	D [in.]	d <sub>1</sub> [mm]	d <sub>1</sub> [in.]	d <sub>2</sub> [mm]	d <sub>2</sub> [in.]	L [mm]	L [in.]	L <sub>1</sub> [mm]	L <sub>1</sub> [in.]	L <sub>2</sub> [mm]	L <sub>2</sub> [in.]
15	½	22	0.866	14	0.551	17	0.669	35	1.378	3	0.118	6	0.236
20	¾	27	1.063	19	0.748	22	0.866	35	1.378	3	0.118	6	0.236
25	1	34	1.338	26	1.024	18	1.102	37.5	1.476	3	0.118	6	0.236

### Butt welding EN 10220

Groove flanges:

Size [mm]	Size [in.]	D [mm]	D [in.]	d <sub>1</sub> [mm]	d <sub>1</sub> [in.]	d <sub>2</sub> [mm]	d <sub>2</sub> [in.]	L [mm]	L [in.]	L <sub>1</sub> [mm]	L <sub>1</sub> [in.]	L <sub>2</sub> [mm]	L <sub>2</sub> [in.]
15	½	22	0.866	14	0.551	17	0.669	34.5	1.358	3	0.118	6	0.236
20	¾	27	1.063	19	0.748	22	0.866	34.5	1.358	3	0.118	6	0.236
25	1	34	1.338	26	1.024	18	1.102	34.5	1.358	3	0.118	6	0.236

### Soldering EN 1254

Tongue/groove flanges:

Size [mm]	Size [in.]	D [mm]	D [in.]	d <sub>1</sub> [mm]	d <sub>1</sub> [in.]	d <sub>2</sub> [mm]	d <sub>2</sub> [in.]	L [mm]	L [in.]	L <sub>1</sub> [mm]	L <sub>1</sub> [in.]	L <sub>2</sub> [mm]	L <sub>2</sub> [in.]
22	-	27	1.063	19	0.748	22	0.866	30	1.181	3	0.118	22	0.866
22	-	27	1.063	19	0.748	22	0.866	30	1.181	3	0.118	22	0.866

### Soldering ASME B 16.22

Tongue flanges:

Size [mm]	Size [in.]	D [mm]	D [in.]	d <sub>1</sub> [mm]	d <sub>1</sub> [in.]	d <sub>2</sub> [mm]	d <sub>2</sub> [in.]	L [mm]	L [in.]	L <sub>1</sub> [mm]	L <sub>1</sub> [in.]	L <sub>2</sub> [mm]	L <sub>2</sub> [in.]
-	1½	34	1.338	26	1.024	28.6	1.126	33	1.299	3	0.118	26	1.024

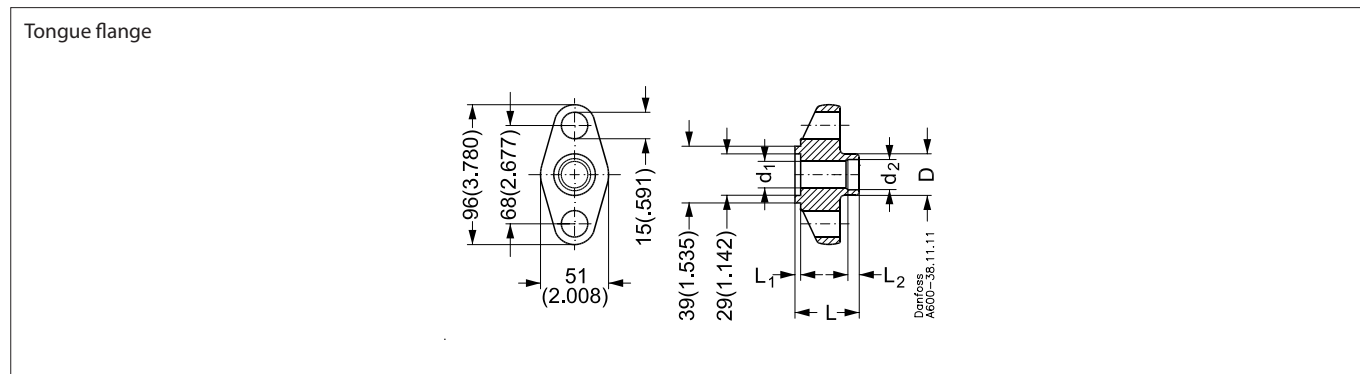
### Soldering ASME B 16.22

Groove flanges:

Size [mm]	Size [in.]	D [mm]	D [in.]	d <sub>1</sub> [mm]	d <sub>1</sub> [in.]	d <sub>2</sub> [mm]	d <sub>2</sub> [in.]	L [mm]	L [in.]	L <sub>1</sub> [mm]	L <sub>1</sub> [in.]	L <sub>2</sub> [mm]	L <sub>2</sub> [in.]
-	1½	34	1.338	26	1.024	28.6	1.126	30	1.181	3	0.118	26	1.024

## Data sheet – Spare parts and accessories

### Flange version 3



#### Butt welding EN 10220

Tongue flange sets:

Size [mm]	Size [in.]	D [mm]	D [in.]	d <sub>1</sub> [mm]	d <sub>1</sub> [in.]	d <sub>2</sub> [mm]	d <sub>2</sub> [in.]	L [mm]	L [in.]	L <sub>1</sub> [mm]	L <sub>1</sub> [in.]	L <sub>2</sub> [mm]	L <sub>2</sub> [in.]
20	¾	27	1.063	19	0.748	22	0.866	35	1.378	3	0.118	6	0.236
25	1	34	1.339	26	1.024	28	1.102	37.5	1.476	3	0.118	6	0.236
32	1¼	43	1.693	26	1.024	37	1.457	37.5	1.476	3	0.118	6	0.236

#### Butt welding ANSI (B 36.10)

Tongue flange sets:

Size [mm]	Size [in.]	D [mm]	D [in.]	d <sub>1</sub> [mm]	d <sub>1</sub> [in.]	d <sub>2</sub> [mm]	d <sub>2</sub> [in.]	L [mm]	L [in.]	L <sub>1</sub> [mm]	L <sub>1</sub> [in.]	L <sub>2</sub> [mm]	L <sub>2</sub> [in.]
20	¾	26.9	1.059	18.9	0.744	18.9	0.744	33	1.299	3	0.118	6	0.236
25	1	33.7	1.327	24.5	0.965	24.5	0.965	37.5	1.476	3	0.118	6	0.236
32	1¼	42.4	1.669	26	1.024	32.6	1.283	37.5	1.476	3	0.118	6	0.236

#### Socket welding ASME B 16.11

Tongue flange sets:

Size [mm]	Size [in.]	D [mm]	D [in.]	d <sub>1</sub> [mm]	d <sub>1</sub> [in.]	d <sub>2</sub> [mm]	d <sub>2</sub> [in.]	L [mm]	L [in.]	L <sub>1</sub> [mm]	L <sub>1</sub> [in.]	L <sub>2</sub> [mm]	L <sub>2</sub> [in.]
20	¾	37.4	1.472	21	0.827	27.4	1.079	33	1.299	3	0.118	13	0.512
25	1	45.6	1.795	26.6	1.047	34.1	1.343	33	1.299	3	0.118	13	0.512

#### FPT inside thread, NPT, ANSI/ASME (B 1.20.1)

Tongue flange sets:

Size [mm]	Size [in.]	D [mm]	D [in.]	d <sub>1</sub> [mm]	d <sub>1</sub> [in.]	d <sub>2</sub> [mm]	d <sub>2</sub> [in.]	L [mm]	L [in.]	L <sub>1</sub> [mm]	L <sub>1</sub> [in.]	L <sub>2</sub> [mm]	L <sub>2</sub> [in.]
20	¾	37.4	1.472	23	0.906	¾ in.-14 NPT	¾ in.-14 NPT	33	1.299	3	0.118	3	0.118
25	1	45.6	1.795	29	1.142	1 in.-11.5 NPT	1 in.-11.5 NPT	33	1.299	3	0.118	3	0.118

#### Soldering EN 1254

Tongue flange sets:

Size [mm]	Size [in.]	D [mm]	D [in.]	d <sub>1</sub> [mm]	d <sub>1</sub> [in.]	d <sub>2</sub> [mm]	d <sub>2</sub> [in.]	L [mm]	L [in.]	L <sub>1</sub> [mm]	L <sub>1</sub> [in.]	L <sub>2</sub> [mm]	L <sub>2</sub> [in.]
22	-	34	1.338	19	0.748	22	0.866	32	1.260	4	0.157	16.5	0.650
28	-	34	1.338	26	1.024	28	1.102	34	1.338	4	0.157	26	1.024

#### Soldering ASME B 16.22

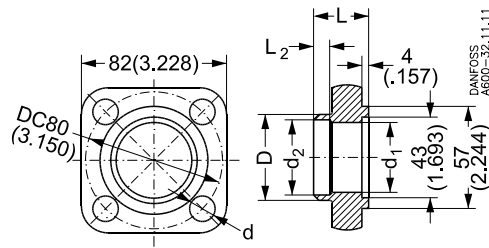
Tongue flange sets:

Size [mm]	Size [in.]	D [mm]	D [in.]	d <sub>1</sub> [mm]	d <sub>1</sub> [in.]	d <sub>2</sub> [mm]	d <sub>2</sub> [in.]	L [mm]	L [in.]	L <sub>1</sub> [mm]	L <sub>1</sub> [in.]	L <sub>2</sub> [mm]	L <sub>2</sub> [in.]
-	⅞	34	1.338	19	0.748	22.2	0.874	32	1.260	4	0.157	16.5	0.650
-	1⅞	34	1.338	26	1.024	28.6	1.126	34	1.338	4	0.157	26	1.024

## Data sheet – Spare parts and accessories

### Flange version 4

Tongue flange



#### Butt welding EN 10220

Tongue flange set:

Size [mm]	Size [in.]	D [mm]	D [in.]	d <sub>1</sub> [mm]	d <sub>1</sub> [in.]	d <sub>2</sub> [mm]	d <sub>2</sub> [in.]	L [mm]	L [in.]	L <sub>2</sub> [mm]	L <sub>2</sub> [in.]	d [mm]	d [in.]
25	1	34	1.338	26	1.024	28	1.102	32	1.260	6	0.236	15	0.590
32	1¼	43	1.693	35	1.378	37.5	1.476	32	1.260	6	0.236	15	0.590

#### Butt welding ANSI (B 36.10)

Tongue flange sets:

Size [mm]	Size [in.]	D [mm]	D [in.]	d <sub>1</sub> [mm]	d <sub>1</sub> [in.]	d <sub>2</sub> [mm]	d <sub>2</sub> [in.]	L [mm]	L [in.]	L <sub>2</sub> [mm]	L <sub>2</sub> [in.]	d [mm]	d [in.]
25	1	33.7	1.327	24.5	0.965	24.5	0.965	32	1.260	10	0.394	15	0.591
32	1¼	42.4	1.669	32.6	1.2834	32.6	1.283	32	1.260	10	0.394	15	0.591

#### Socket welding ASME B 16.11

Tongue flange sets:

Size [mm]	Size [in.]	D [mm]	D [in.]	d <sub>1</sub> [mm]	d <sub>1</sub> [in.]	d <sub>2</sub> [mm]	d <sub>2</sub> [in.]	L [mm]	L [in.]	L <sub>2</sub> [mm]	L <sub>2</sub> [in.]	d [mm]	d [in.]
20	¾	37.4	1.472	21	0.827	27.4	1.079	32	1.260	10	0.394	15	0.591
25	1	45.7	1.799	26.6	1.047	34.1	1.343	32	1.260	10	0.394	15	0.591
32	1¼	55.3	2.177	35	1.378	42.9	1.689	39	1.535	15	0.591	15	0.591

#### FPT inside thread, NPT, ANSI/ASME (B 1.20.1)

Tongue flange sets:

Size [mm]	Size [in.]	D [mm]	D [in.]	d <sub>1</sub> [mm]	d <sub>1</sub> [in.]	d <sub>2</sub> [mm]	d <sub>2</sub> [in.]	L [mm]	L [in.]	L <sub>2</sub> [mm]	L <sub>2</sub> [in.]	d [mm]	d [in.]
20	¾	37.4	1.472	23	0.905	¾ in.-14 NPT	¾ in.-14 NPT	32	1.260	10	0.394		
25	1	45.6	1.795	29	1.142	1 in.-11.5 NPT	1 in.-11.5 NPT	32	1.260	10	0.394		

#### Soldering DIN (2856)

Tongue flange sets:

Size [mm]	Size [in.]	D [mm]	D [in.]	d <sub>1</sub> [mm]	d <sub>1</sub> [in.]	d <sub>2</sub> [mm]	d <sub>2</sub> [in.]	L [mm]	L [in.]	L <sub>2</sub> [mm]	L <sub>2</sub> [in.]	d [mm]	d [in.]
35	-	47	1.850	32	1.260	35	1.378	36.5	1.437	25	0.984	14	0.551

#### Soldering ASME B 16.22

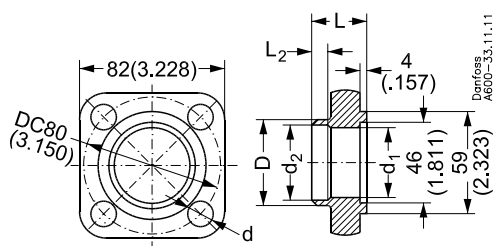
Tongue flange sets:

Size [mm]	Size [in.]	D [mm]	D [in.]	d <sub>1</sub> [mm]	d <sub>1</sub> [in.]	d <sub>2</sub> [mm]	d <sub>2</sub> [in.]	L [mm]	L [in.]	L <sub>2</sub> [mm]	L <sub>2</sub> [in.]	d [mm]	d [in.]
-	1½	47	1.850	32	1.260	35	1.378	36.5	1.437	25	0.984	14	0.551

## Data sheet – Spare parts and accessories

### Flange version 5

Tongue flange



### Butt welding EN 10220

Tongue flange set:

Size [mm]	Size [in.]	D [mm]	D [in.]	d <sub>1</sub> [mm]	d <sub>1</sub> [in.]	d <sub>2</sub> [mm]	d <sub>2</sub> [in.]	L [mm]	L [in.]	L <sub>2</sub> [mm]	L <sub>2</sub> [in.]	d [mm]	d [in.]
25	1	34	1.338	26	1.024	28	1.102	32	1.260	6	0.260	15	0.591
32	1¼	43	1.693	35	1.378	37.5	1.476	32	1.260	6	0.260	15	0.591
40	1½	49	1.929	40	1.575	43	1.693	32	1.260	7	0.275	15	0.591

### Butt welding EN 10220

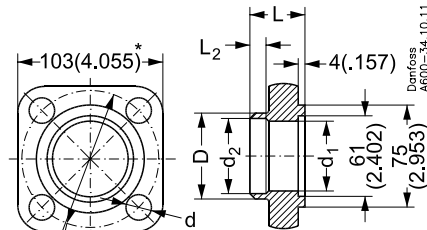
Tongue/tongue flange set:

Size [mm]	Size [in.]	D [mm]	D [in.]	d <sub>1</sub> [mm]	d <sub>1</sub> [in.]	d <sub>2</sub> [mm]	d <sub>2</sub> [in.]	L [mm]	L [in.]	L <sub>2</sub> [mm]	L <sub>2</sub> [in.]	d [mm]	d [in.]
-	1⅞	37	1.457	26	1.024	28.6	1.126	32	1.260	28	1.102	15	0.591
-	1⅞	52	2.047	38	1.496	41.3	1.626	32	1.260	10	0.394	15	0.591

## Data sheet – Spare parts and accessories

### Flange version 6

Tongue flange



DC= 100(3.937) for weld flanges  
 DC= 108(4.252) for solder flanges  
 \* = 105(4.134) for solder flanges

#### Butt welding EN 10220

Tongue flange sets:

Size [mm]	Size [in.]	D [mm]	D [in.]	d <sub>1</sub> [mm]	d <sub>1</sub> [in.]	d <sub>2</sub> [mm]	d <sub>2</sub> [in.]	L [mm]	L [in.]	L <sub>2</sub> [mm]	L <sub>2</sub> [in.]	d [mm]	d [in.]
40	1½	49	1.929	40	1.575	43	1.693	39	1.535	7	0.275	15	0.591
50	2	60.5	2.382	52	2.047	54	2.126	39	1.535	8	0.315	15	0.591

#### Butt welding ANSI (B 36.10)

Tongue flange sets:

Size [mm]	Size [in.]	D [mm]	D [in.]	d <sub>1</sub> [mm]	d <sub>1</sub> [in.]	d <sub>2</sub> [mm]	d <sub>2</sub> [in.]	L [mm]	L [in.]			d [mm]	d [in.]
40	1½	48.3	1.902	38.1	1.500	38.1	1.500	39	1.535			15	0.591
50	2	60.3	2.374	52.5	2.067	52.5	2.067	39	1.535			15	0.591

#### Socket welding ASME B 16.11

Tongue flange sets:

Size [mm]	Size [in.]	D [mm]	D [in.]	d <sub>1</sub> [mm]	d <sub>1</sub> [in.]	d <sub>2</sub> [mm]	d <sub>2</sub> [in.]	L [mm]	L [in.]	L <sub>2</sub> [mm]	L <sub>2</sub> [in.]	d [mm]	d [in.]
40	1½	61.9	2.437	40.8	1.606	49	1.929	39	1.535	13	0.512	15	0.591

#### Soldering DIN (2856)

Tongue flange sets:

Size [mm]	Size [in.]	D [mm]	D [in.]	d <sub>1</sub> [mm]	d <sub>1</sub> [in.]	d <sub>2</sub> [mm]	d <sub>2</sub> [in.]	L [mm]	L [in.]	L <sub>2</sub> [mm]	L <sub>2</sub> [in.]	d [mm]	d [in.]
54	-	64	2.520	50	1.969	54	2.130	45.5	1.791	33	1.299	16	0.630

#### Soldering ASME B 16.22

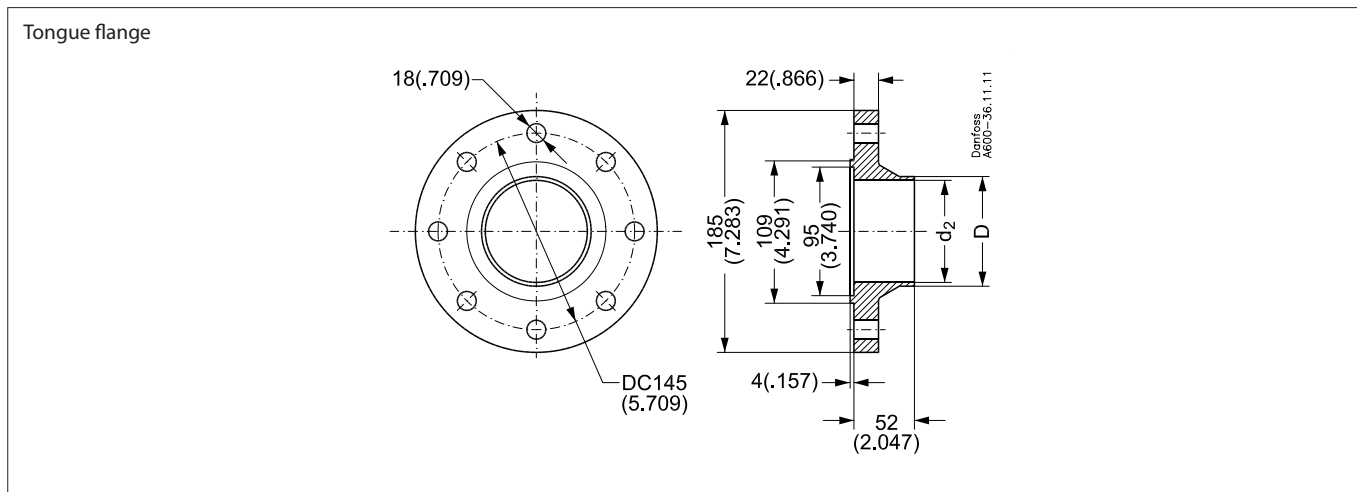
Tongue flange sets:

Size [mm]	Size [in.]	D [mm]	D [in.]	d <sub>1</sub> [mm]	d <sub>1</sub> [in.]	d <sub>2</sub> [mm]	d <sub>2</sub> [in.]	L [mm]	L [in.]	L <sub>2</sub> [mm]	L <sub>2</sub> [in.]	d [mm]	d [in.]
-	2½	64	2.520	50	1.969	54	2.130	45.5	1.791	33	1.299	16	0.630



## Data sheet – Spare parts and accessories

### Flange version 8



#### Butt welding EN 10220

Tongue flange sets:

Size [mm]	Size [in.]	D [mm]	D [in.]	d <sub>2</sub> [mm]	d <sub>2</sub> [in.]
65	2½	76	2.992	70.3	2.768

#### Butt welding ANSI (B 36.10)

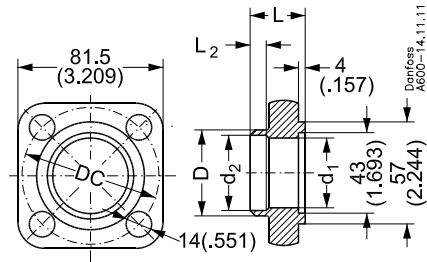
Tongue flange sets:

Size [mm]	Size [in.]	D [mm]	D [in.]	d <sub>2</sub> [mm]	d <sub>2</sub> [in.]
65	2½	73	2.874	62.5	2.461

## Data sheet – Spare parts and accessories

### Flange version 10

Tongue flange



#### Butt welding EN 10220

Tongue flange sets:

Size [mm]	Size [in.]	D [mm]	D [in.]	d <sub>1</sub> [mm]	d <sub>1</sub> [in.]	d <sub>2</sub> [mm]	d <sub>2</sub> [in.]	L [mm]	L [in.]	L <sub>2</sub> [mm]	L <sub>2</sub> [in.]	DC [mm]	DC [in.]
32	1¼	43	1.693	37	1.457	37	1.457	36.5	1.437	15	0.590	80	3.150
40	1½	49	1.929	38	1.496	43	1.693	36.5	1.437	15	0.590	80	3.150

#### Butt welding ASME B 16.22

Tongue flange sets:

Size [mm]	Size [in.]	D [mm]	D [in.]	d <sub>1</sub> [mm]	d <sub>1</sub> [in.]	d <sub>2</sub> [mm]	d <sub>2</sub> [in.]	L [mm]	L [in.]	DC [mm]	DC [in.]
32	1¼	42.4	1.669	32.6	1.283	32.6	1.283	36.5	1.437	80	3.150
40	1½	48.3	1.902	38.1	1.500	38.1	1.500	36.5	1.437	80	3.150

#### Socket welding ASME B 16.11

Tongue flanges:

Size [mm]	Size [in.]	D [mm]	D [in.]	d <sub>1</sub> [mm]	d <sub>1</sub> [in.]	d <sub>2</sub> [mm]	d <sub>2</sub> [in.]	L [mm]	L [in.]	L <sub>2</sub> [mm]	L <sub>2</sub> [in.]	DC [mm]	DC [in.]
32	1¼	52	2.047	35	1.378	42.9	1.689	36.5	1.437	13	1.512	80	3.150

#### Soldering DIN (2856)

Tongue flanges:

Size [mm]	Size [in.]	D [mm]	D [in.]	d <sub>1</sub> [mm]	d <sub>1</sub> [in.]	d <sub>2</sub> [mm]	d <sub>2</sub> [in.]	L [mm]	L [in.]	L <sub>2</sub> [mm]	L <sub>2</sub> [in.]	DC [mm]	DC [in.]
35	-	47	1.850	32	1.260	45	1.378	36.5	1.437	25	0.984	14	0.551

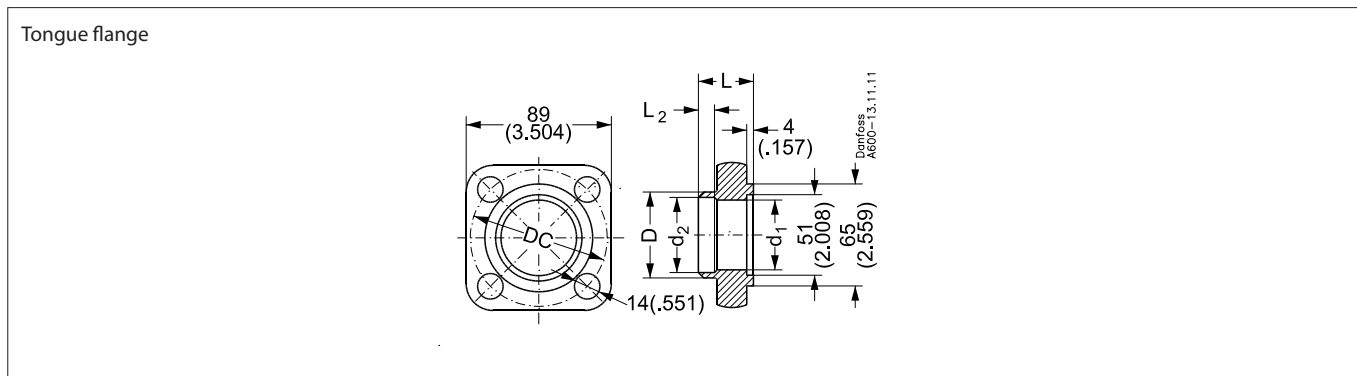
#### Soldering ASME B 16.22

Tongue flange sets:

Size [mm]	Size [in.]	D [mm]	D [in.]	d <sub>1</sub> [mm]	d <sub>1</sub> [in.]	d <sub>2</sub> [mm]	d <sub>2</sub> [in.]	L [mm]	L [in.]	L <sub>2</sub> [mm]	L <sub>2</sub> [in.]	DC [mm]	DC [in.]
-	1¾	47	1.850	32	1.260	45	1.378	36.5	1.437	25	0.984	14	0.551

## Data sheet – Spare parts and accessories

### Flange version 11



#### Butt welding EN 10220

Tongue flange sets:

Size [mm]	Size [in.]	D [mm]	D [in.]	d <sub>1</sub> [mm]	d <sub>1</sub> [in.]	d <sub>2</sub> [mm]	d <sub>2</sub> [in.]	L [mm]	L [in.]	L <sub>2</sub> [mm]	L <sub>2</sub> [in.]	DC [mm]	DC [in.]
40	1½	49	1.929	43	1.693	43	1.693	43.5	1.712	15	0.590	90	3.543
50	2	60.5	2.382	49	1.929	54	2.126	43.5	1.712	15	0.590	90	3.543

#### Butt welding ANSI (B 36.10)

Tongue flange sets:

Size [mm]	Size [in.]	D [mm]	D [in.]	d <sub>1</sub> [mm]	d <sub>1</sub> [in.]	d <sub>2</sub> [mm]	d <sub>2</sub> [in.]	L [mm]	L [in.]	DC [mm]	DC [in.]
40	1½	48.2	1.898	38.1	1.500	38.1	1.500	43.5	1.713	90	3.543
50	2	60.3	2.374	49	1.929	49	1.929	43.5	1.713	90	3.543

#### Butt welding ASME B 16.11

Tongue flange sets:

Size [mm]	Size [in.]	D [mm]	D [in.]	d <sub>1</sub> [mm]	d <sub>1</sub> [in.]	d <sub>2</sub> [mm]	d <sub>2</sub> [in.]	L [mm]	L [in.]	L <sub>2</sub> [mm]	L <sub>2</sub> [in.]	DC [mm]	DC [in.]
40	1½	61.9	2.437	40.8	1.606	48.9	1.925	43.5	1.713	13	0.512	90	3.543

#### Soldering din (2856)

Tongue flange set:

Size [mm]	Size [in.]	D [mm]	D [in.]	d <sub>1</sub> [mm]	d <sub>1</sub> [in.]	d <sub>2</sub> [mm]	d <sub>2</sub> [in.]	L [mm]	L [in.]	L <sub>2</sub> [mm]	L <sub>2</sub> [in.]	DC [mm]	DC [in.]
42	-	54	2.126	38	1.496	41	1.614	43.5	1.712	28	1.102	90	3.543

#### Soldering ASME B 16.22

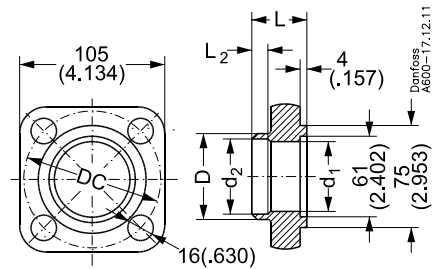
Tongue flange sets:

Size [mm]	Size [in.]	D [mm]	D [in.]	d <sub>1</sub> [mm]	d <sub>1</sub> [in.]	d <sub>2</sub> [mm]	d <sub>2</sub> [in.]	L [mm]	L [in.]	L <sub>2</sub> [mm]	L <sub>2</sub> [in.]	DC [mm]	DC [in.]
-	1/8	54	2.126	38	1.496	41	1.614	43.5	1.712	28	1.102	90	3.543

## Data sheet – Spare parts and accessories

### Flange version 12

Tongue flange



#### Butt welding EN 10220

Tongue flange sets:

Size [mm]	Size [in.]	D [mm]	D [in.]	d <sub>1</sub> [mm]	d <sub>1</sub> [in.]	d <sub>2</sub> [mm]	d <sub>2</sub> [in.]	L [mm]	L [in.]	L <sub>2</sub> [mm]	L <sub>2</sub> [in.]	DC [mm]	DC [in.]
50	2	60.5	2.382	54	2.126	54	2.126	45.5	1.791	21	0.827	108	4.252
65	2½	76.5	3.012	59	2.323	70	2.756	45.5	1.791	21	0.827	108	4.252

#### Butt welding ANSI (B 36.10)

Tongue flange sets:

Size [mm]	Size [in.]	D [mm]	D [in.]	d <sub>1</sub> [mm]	d <sub>1</sub> [in.]	d <sub>2</sub> [mm]	d <sub>2</sub> [in.]	L [mm]	L [in.]	L <sub>2</sub> [mm]	L <sub>2</sub> [in.]	DC [mm]	DC [in.]
50	2	60.3	2.374	52.5	2.067	52.5	2.067	45.5	1.791			108	4.252
65	2½	73	2.874	59	2.323	62.5	2.461	45.5	1.791	6	0.236	108	4.252

#### Socket welding ASME B 16.11

Tongue flange sets:

Size [mm]	Size [in.]	D [mm]	D [in.]	d <sub>1</sub> [mm]	d <sub>1</sub> [in.]	d <sub>2</sub> [mm]	d <sub>2</sub> [in.]	L [mm]	L [in.]	L <sub>2</sub> [mm]	L <sub>2</sub> [in.]	DC [mm]	DC [in.]
50	2	75.5	2.972	61	2.402	61.4	2.417	45.5	1.791	17	0.669	108	4.252

#### Soldering DIN (2856)

Tongue flange set:

Size [mm]	Size [in.]	D [mm]	D [in.]	d <sub>1</sub> [mm]	d <sub>1</sub> [in.]	d <sub>2</sub> [mm]	d <sub>2</sub> [in.]	L [mm]	L [in.]	L <sub>2</sub> [mm]	L <sub>2</sub> [in.]	DC [mm]	DC [in.]
54	-	65	2.559	50	1.969	54.1	2.130	45.5	1.791	33	1.299	108	4.252

#### Soldering ASME B 16.22

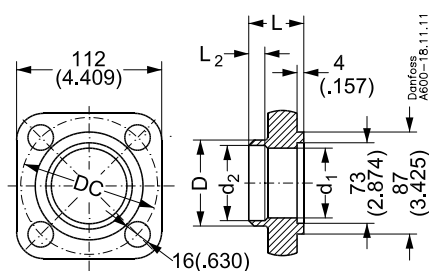
Tongue flange sets:

Size [mm]	Size [in.]	D [mm]	D [in.]	d <sub>1</sub> [mm]	d <sub>1</sub> [in.]	d <sub>2</sub> [mm]	d <sub>2</sub> [in.]	L [mm]	L [in.]	L <sub>2</sub> [mm]	L <sub>2</sub> [in.]	DC [mm]	DC [in.]
-	2½	65	2.559	50	1.969	54.1	2.130	45.5	1.791	33	1.299	108	4.252

## Data sheet – Spare parts and accessories

### Flange version 13

Tongue flange



#### Butt welding EN 10220

Tongue flange sets:

Size [mm]	Size [in.]	D [mm]	D [in.]	d <sub>1</sub> [mm]	d <sub>1</sub> [in.]	d <sub>2</sub> [mm]	d <sub>2</sub> [in.]	L [mm]	L [in.]	L <sub>2</sub> [mm]	L <sub>2</sub> [in.]	DC [mm]	DC [in.]
65	2½	76.5	3.012	70	2.756	70	2.756	47.5	1.870	21	0.827	118	4.646
80	3	89	3.504	71	2.795	82	3.228	47.5	1.870	21	0.827	118	4.646

#### Butt welding ANSI (B 36.10)

Tongue flange sets:

Size [mm]	Size [in.]	D [mm]	D [in.]	d <sub>1</sub> [mm]	d <sub>1</sub> [in.]	d <sub>2</sub> [mm]	d <sub>2</sub> [in.]	L [mm]	L [in.]	L <sub>2</sub> [mm]	L <sub>2</sub> [in.]	DC [mm]	DC [in.]
65	2½	73	2.874	62.6	2.465	62.6	2.465	47.5	1.870	10	0.394	118	4.646
80	3	88.9	3.500	71	2.795	77.9	3.067	47.5	1.870	10	0.394	118	4.646

#### Socket welding ASME B 16.11

Tongue flange sets:

Size [mm]	Size [in.]	D [mm]	D [in.]	d <sub>1</sub> [mm]	d <sub>1</sub> [in.]	d <sub>2</sub> [mm]	d <sub>2</sub> [in.]	L [mm]	L [in.]	L <sub>2</sub> [mm]	L <sub>2</sub> [in.]	DC [mm]	DC [in.]
65	2½	91.9	3.618	64	2.520	74.2	2.921	47.5	1.870	17	0.669	118	4.646

#### Soldering DIN (2856)

Tongue flange sets:

Size [mm]	Size [in.]	D [mm]	D [in.]	d <sub>1</sub> [mm]	d <sub>1</sub> [in.]	d <sub>2</sub> [mm]	d <sub>2</sub> [in.]	L [mm]	L [in.]	L <sub>2</sub> [mm]	L <sub>2</sub> [in.]	DC [mm]	DC [in.]
76	-	81	3.189	63	2.480	66.8	2.630	45.5	1.791	33	1.299	118	4.646

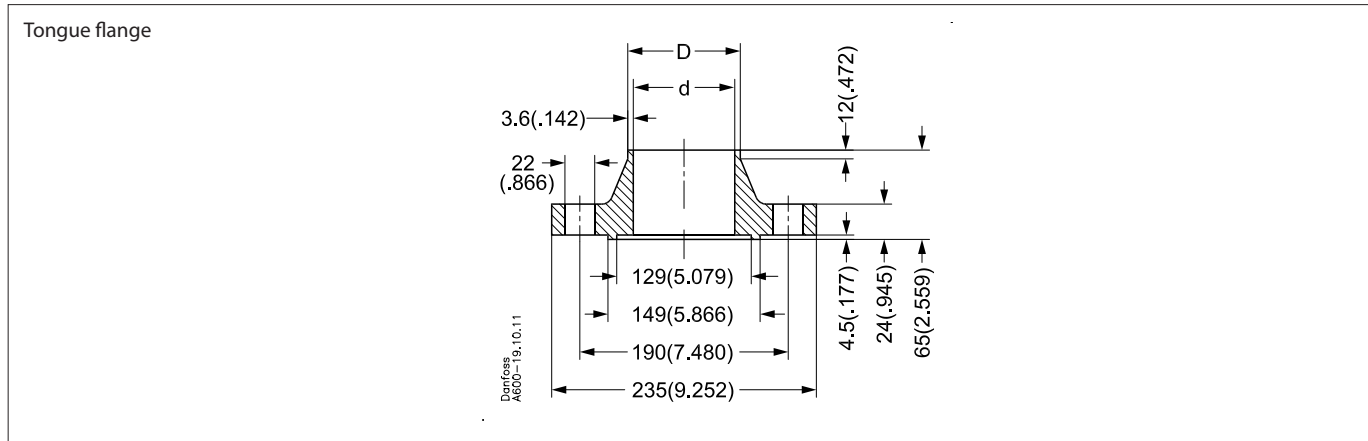
#### Soldering ASME B 16.22

Tongue flange sets:

Size [mm]	Size [in.]	D [mm]	D [in.]	d <sub>1</sub> [mm]	d <sub>1</sub> [in.]	d <sub>2</sub> [mm]	d <sub>2</sub> [in.]	L [mm]	L [in.]	L <sub>2</sub> [mm]	L <sub>2</sub> [in.]	DC [mm]	DC [in.]
-	2½	88	3.464	70	2.756	76	2.992	47.5	1.870	33	1.299	118	4.646

## Data sheet – Spare parts and accessories

### Flange version 14A



#### Butt welding EN 10220

Tongue flange sets:

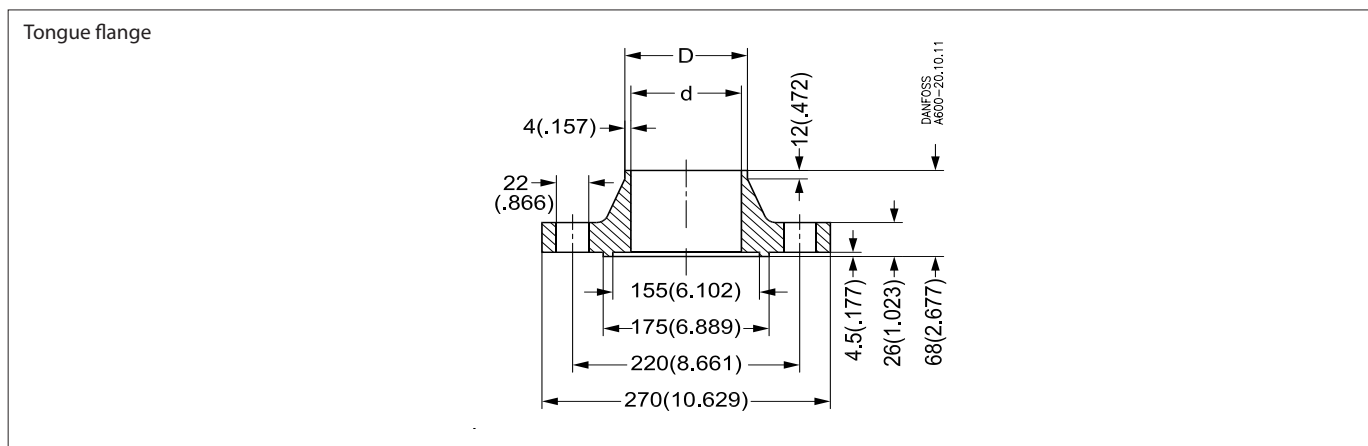
Size [mm]	Size [in.]	D [mm]	D [in.]	d [mm]	d [in.]
100	4	114.3	4.500	107.1	4.217

#### Butt welding ANSI (B 36.10)

Tongue flange sets:

Size [mm]	Size [in.]	D [mm]	D [in.]	d [mm]	d [in.]
100	4	114.3	4.500	102.3	4.028

### Flange version 14B



#### Butt welding EN 10220

Tongue flange sets:

Size [mm]	Size [in.]	D [mm]	D [in.]	d [mm]	d [in.]
125	5	139.7	5.500	131.7	5.185

#### Butt welding ANSI (B 36.10)

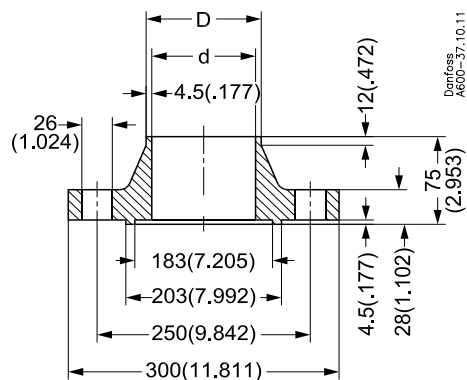
Tongue flange sets:

Size [mm]	Size [in.]	D [mm]	D [in.]	d [mm]	d [in.]
125	5	141.3	5.563	128.2	5.047

## Data sheet – Spare parts and accessories

### Flange version 14C

Tongue flange



### Butt welding EN 10220

Tongue flange sets:

Size [mm]	Size [in.]	D [mm]	D [in.]	d [mm]	d [in.]
150	6	168.3	6.626	159.3	6.272

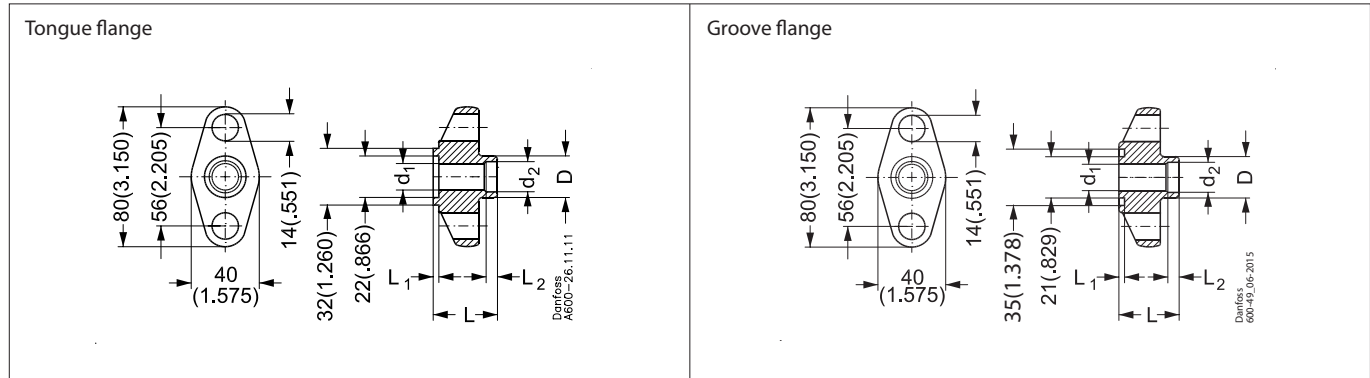
### Butt welding ANSI (B 36.10)

Tongue flange sets:

Size [mm]	Size [in.]	D [mm]	D [in.]	d [mm]	d [in.]
150	6	168.3	6.626	154.1	6.067

## Data sheet – Spare parts and accessories

### Flange for NRVS



#### Butt welding EN 10220

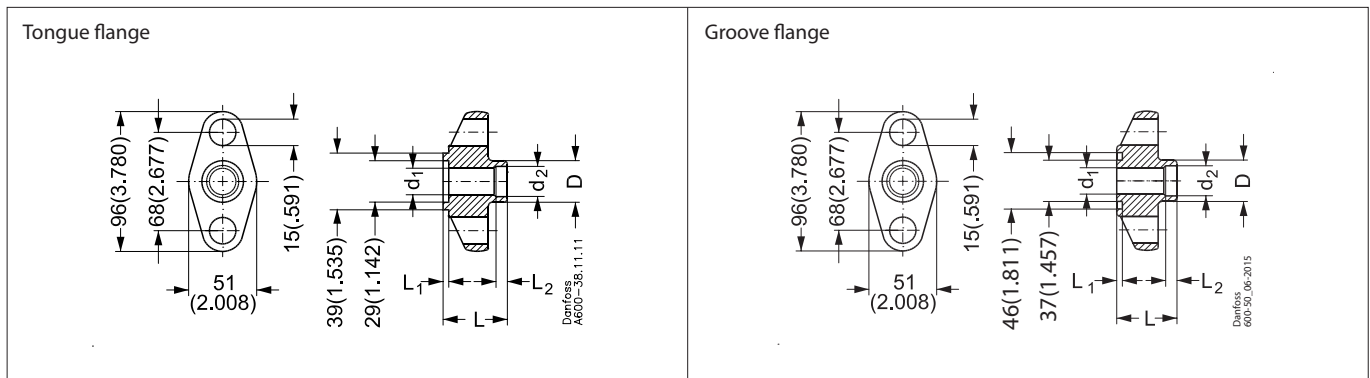
Tongue flanges:

Size [mm]	Size [in.]	D [mm]	D [in.]	d <sub>1</sub> [mm]	d <sub>1</sub> [in.]	d <sub>2</sub> [mm]	d <sub>2</sub> [in.]	L [mm]	L [in.]	L <sub>1</sub> [mm]	L <sub>1</sub> [in.]	L <sub>2</sub> [mm]	L <sub>2</sub> [in.]
20	¾	27	1.063	19	0.748	22	0.866	33	1.299	3	0.118	6	0.236

#### Butt welding EN 10220

Groove flanges:

Size [mm]	Size [in.]	D [mm]	D [in.]	d <sub>1</sub> [mm]	d <sub>1</sub> [in.]	d <sub>2</sub> [mm]	d <sub>2</sub> [in.]	L [mm]	L [in.]	L <sub>1</sub> [mm]	L <sub>1</sub> [in.]	L <sub>2</sub> [mm]	L <sub>2</sub> [in.]
20	¾	27	1.063	19	0.748	22	0.866	36	1.417	3	0.118	6	0.236



#### Butt welding EN 10220

Tongue flanges:

Size [mm]	Size [in.]	D [mm]	D [in.]	d <sub>1</sub> [mm]	d <sub>1</sub> [in.]	d <sub>2</sub> [mm]	d <sub>2</sub> [in.]	L [mm]	L [in.]	L <sub>1</sub> [mm]	L <sub>1</sub> [in.]	L <sub>2</sub> [mm]	L <sub>2</sub> [in.]
25	1	34	1.338	26	1.024	28	1.102	38	1.496	3	0.118	6	0.236

#### Butt welding EN 10220

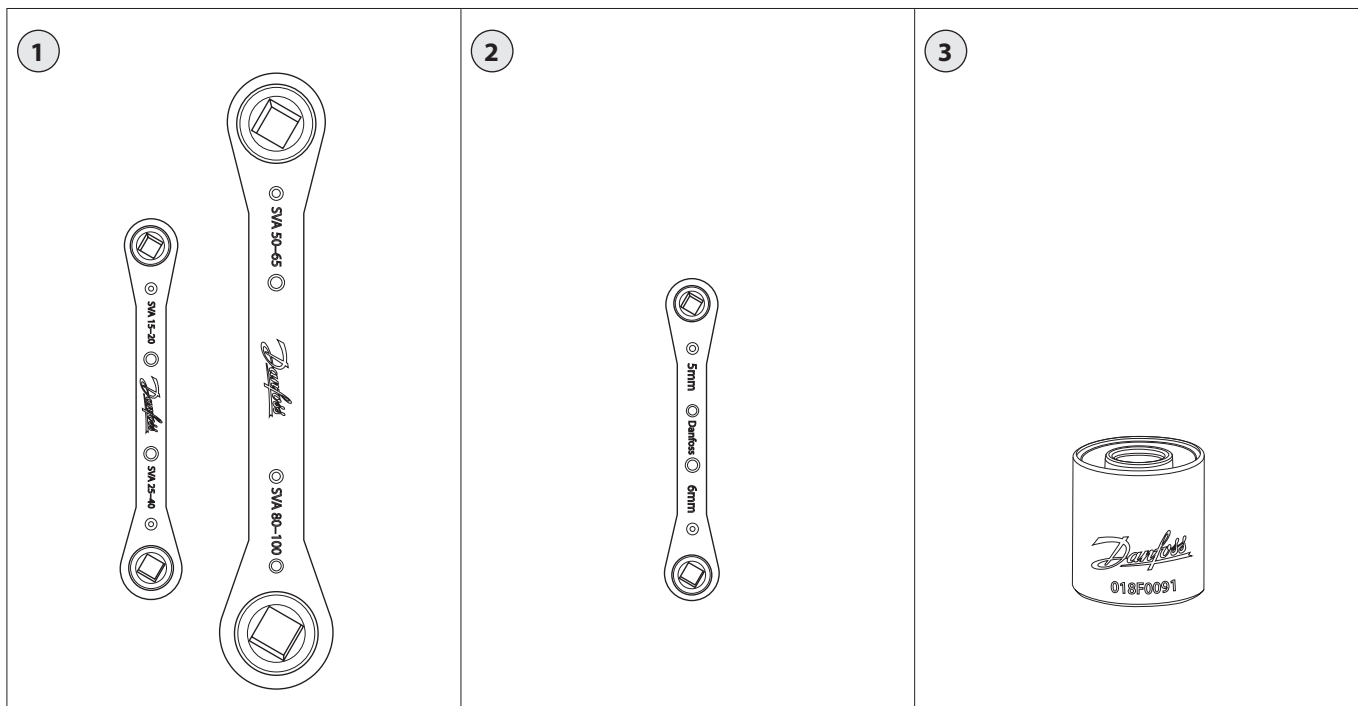
Groove flanges:

Size [mm]	Size [in.]	D [mm]	D [in.]	d <sub>1</sub> [mm]	d <sub>1</sub> [in.]	d <sub>2</sub> [mm]	d <sub>2</sub> [in.]	L [mm]	L [in.]	L <sub>1</sub> [mm]	L <sub>1</sub> [in.]	L <sub>2</sub> [mm]	L <sub>2</sub> [in.]
25	1	34	1.338	26	1.024	28	1.102	38	1.496	3	0.118	6	0.236



Data sheet – Spare parts and accessories

**Danfoss Hand Tools**



Description	Qty.	Code no.
<b>2 hand tools for SVA 15-100, fig. 1</b>		
7 mm for SVA 15-20	24 (multipack)	<b>148B6573</b>
8 mm for SVA 25-40		
10 mm for SVA 50-65		
14 mm for SVA 80-100		
<b>1 hand tool for EVRA/T, ICFO, SNV, SVA 6-10, ICS/ICLX and new pilots, fig 2</b>		
5 mm for EVRA/T + ICFO	30 (multipack)	<b>148B6574</b>
6 mm for SNV + SVA 6-10 + ICS/ICLX + New pilots		
<b>Permanent magnetic coil for EVRA/T, ICFO and ICS/ICLX, fig. 3</b>		
Permanent magnetic coil	1	<b>018F0091</b>





# Danfoss Industrial Refrigeration

## A world of expertise at the click of a button

Turn to Danfoss if you want to combine quality components with expert knowhow and support. Try out these free tools, designed to make your work much easier.



### DIRbuilder

DIRbuilder is designed to make selection processes for industrial refrigeration projects easier and less time-consuming. Specify the valves you need from an extensive pool of configuration options. The DIRbuilder library comprises all Danfoss Industrial Refrigeration valves. Free of charge – no software needed.



### Coolselector® 2 – New calculation software for Industrial Refrigeration

Coolselector® 2 is a calculation and support tool for contractors and system designers, offering complete pressure drop calculations, analysis of pipe and valve design and the ability to generate performance reports. It replaces the well-known DIRcalc™ software and offers several new functionalities.



### Danfoss IR app

The free IR App gives you a spare parts tool, which makes it easy for you to find the spare part number for a given Danfoss industrial refrigeration valve.



### Download 3D CAD symbols

From our online product catalogue on our website, you can download 3D CAD symbols and illustrations to help you when designing refrigeration plants.



### IR application tool

With this interactive PowerPoint slideshow, you can explore all the details of a two-stage ammonia plant. You will find detailed cut-away drawings and information on the valves in the installation along with links to videos, literature and product animations.



### Application handbook

The Application Handbook is designed to help you every step of the way when working with industrial refrigeration systems. Among many other things, it contains examples of how to select control methods for different refrigeration systems, their design and which components to choose.

Visit [www.danfoss.com/IR-tools](http://www.danfoss.com/IR-tools) and find all the tools you need.