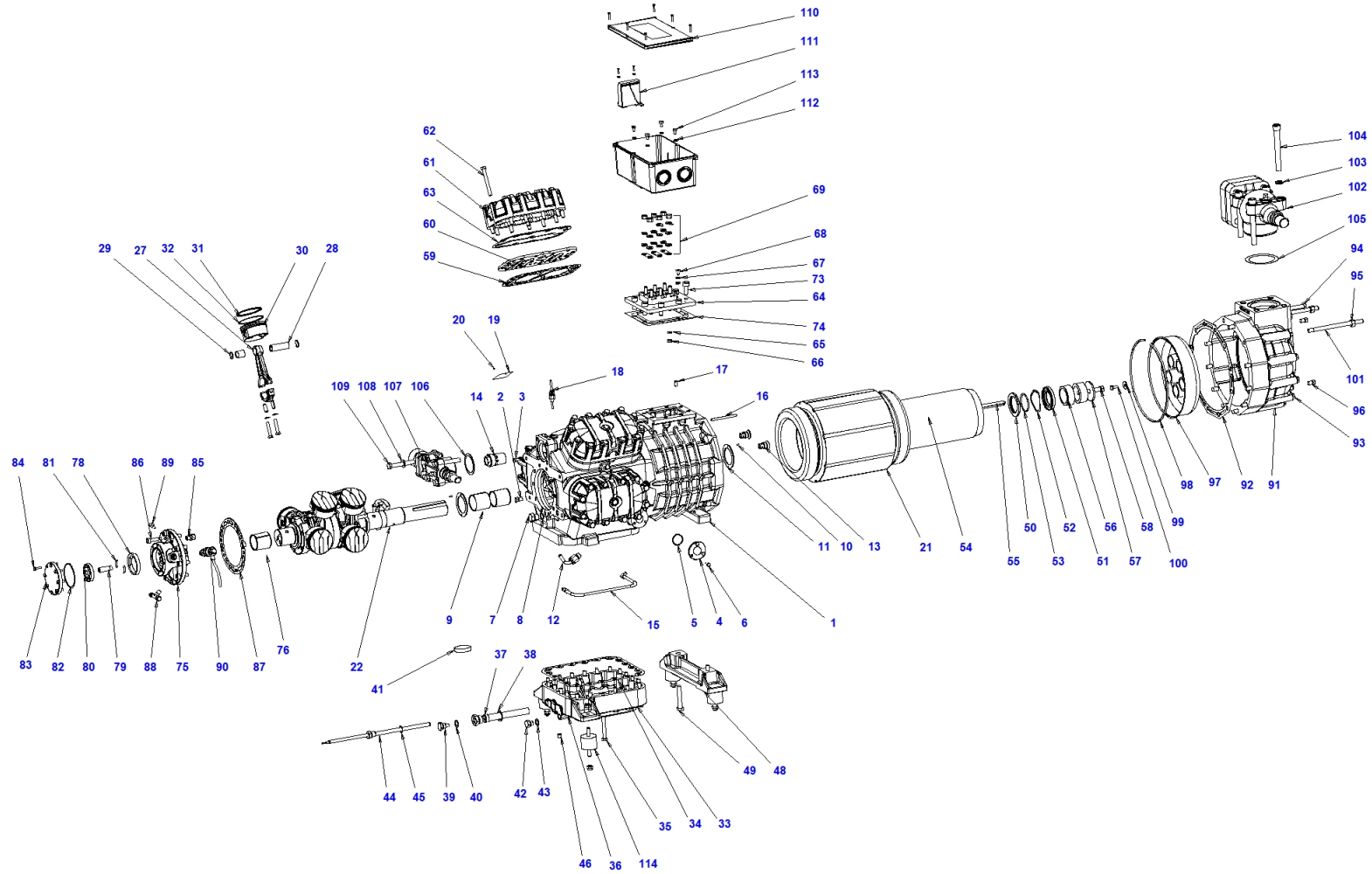


W 70 206 Y



| Pos. | Code | Description | Quantity | Note | Notice: |
|------|------------|----------------------------|----------|------|---------|
| 1 | S8701001AA | Compressor body | 1 | | |
| 2 | S6501130 | Plug 1/4 NPT | 6 | | |
| 3 | S1251130 | Plug 1/8 NPT | 2 | | |
| 4 | SOS1 | Oil sight glass | 2 | | |
| 5 | S3131OR | O-ring for oil sight glass | 2 | | |
| 6 | TE1006016 | Screw M6x16 UNI5739 | 6 | | |
| 7 | S8601130 | Plug 3/8 gas ISO 228/1 | 1 | | |
| 8 | S6501056 | 3/8 gas gasket | 1 | | |
| 9 | S8701013-A | Main friction bearing | 2 | | |
| 10 | SE1004008 | Pin | 2 | | |
| 11 | S8701011 | Thrust collar | 2 | | |
| 12 | S860A070 | Oil return valve | 1 | | |
| 13 | S860A076 | Pressure regulatng valve | 2 | | |
| 14 | S8801156 | Safety relief valve | 1 | | |
| 15 | S8701131 | Internal oil pipe | 1 | | |
| 16 | S6301063 | Key 8x5x90 UNI 7510 | 1 | | |
| 17 | GR101016 | Stop dowel | 1 | | |
| 18 | EC50D | Temperatur sensor diagnose | 1 | | |
| 19 | ML_W | Nameplate | 1 | | |
| 20 | RI1025035 | Rivet | 2 | | |

| Pos. | Code | Description | Quantity | Note | Notice: |
|------|------------|-----------------------------|----------|------|---------|
| 21 | RS21A | Stator 230-400 / 3 / 50 DOL | 1 | | |
| 21 | RS21B | Stator 400 / 3 / 50 SDS | 1 | | |
| 21 | RS21CL | Stator 400 / 3 / 50 PWS | 1 | | |
| 22 | S8701002AA | Shaft | 1 | | |
| 27 | S8701003BB | Connecting rod | 8 | | |
| 28 | S6501005 | Piston pin | 8 | | |
| 29 | S6301149 | Circlip | 16 | | |
| 30 | S6501004-A | Piston | 8 | | |
| 31 | S6506001 | Oil scraper ring | 8 | | |
| 32 | S6505001 | Compression ring | 8 | | |
| 33 | S8701014AA | Bottom plate | 1 | | |
| 34 | S8601015 | Gasket for bottom plate | 1 | | |
| 35 | TE1210075 | Screw M10x75 UNI5737 | 17 | | |
| 36 | TC2210075 | Screw M10x75 UNI5931 | 3 | | |
| 37 | S4501047-A | Oil strainer | 1 | | |
| 38 | S8701056 | 3/4 gas gasket | 1 | | |
| 39 | S8601130 | Plug 3/8 gas ISO 228/1 | 1 | | |
| 40 | S6501056 | 3/8 gas gasket | 1 | | |
| 41 | W3501128 | Magnet | 1 | | |
| 42 | S1451130 | Plug 1/4" gas ISO 228/1 | 1 | | |

| Pos. | Code | Description | Quantity | Note | Notice: |
|------|------------|----------------------------|----------|------|---------|
| 43 | S1351056 | Gasket | 1 | | |
| 44 | S4601351 | Sleeve for Crankase Heater | 1 | | |
| 45 | S6501056 | 3/8 gas gasket | 1 | | |
| 46 | TA1514000 | Plug 1/4" NPT | 1 | | |
| 48 | S8701018AA | Thrusting bracket | 1 | | |
| 49 | TE1212075 | Screw M12x75 UNI5737 | 2 | | |
| 50 | S8701078 | Shaft thrust bearing | 1 | | |
| 51 | S8701120 | Thrust collar | 1 | | |
| 52 | ANLMKAS72 | Spring | 1 | | |
| 53 | S42120R | OR4212 | 1 | | |
| 54 | RR23L | Rotor | 1 | | |
| 55 | S6501063 | Key 12x8x140 | 1 | | |
| 57 | S8701045 | Rotor washer | 1 | | |
| 58 | TE1212070 | Screw M12x70 UNI5737 | 1 | | |
| 59 | S6501031D | Gasket valve plate - body | 4 | | |
| 60 | S8601006HH | Valve plate | 4 | | |
| 61 | S6501007HH | Head | 4 | | |
| 62 | TE1210090 | Screw M10x90 UNI5737 | 52 | | |
| 63 | S8701032 | Gasket valve plate - head | 4 | | |
| 64 | S8601040 | Terminal plate | 1 | | |

| Pos. | Code | Description | Quantity | Note | Notice: |
|------|------------|--|----------|------|---------|
| 65 | RO1106012 | Washer 6.4x12x1.6 UNI 6592 | 6 | | |
| 66 | DE2206006 | Nut M6X1X6 DIN 980 | 6 | | |
| 67 | RO1106012 | Washer 6.4x12x1.6 UNI 6592 | 2 | | |
| 68 | TS4006008 | Screw M6x8 ISO 7045 | 1 | | |
| 69 | SK261310 | Staple bars connection kit - V/Z/W NEW | 1 | | |
| 73 | TC2710025 | Screw M10x25 UNI5931 | 8 | | |
| 74 | S4501043C | Connections plate gasket | 1 | | |
| 75 | S8601009AA | Flange | 1 | | |
| 76 | S8701012-A | Friction bearing flange side | 1 | | |
| 78 | S6301069 | Oil pump eccentric | 1 | | |
| 79 | S6501049 | Oil pump stud | 1 | | |
| 80 | S4951125 | Oil pump gear | 1 | | |
| 81 | S4951134 | Oil pump spring | 2 | | |
| 82 | S3300OR | O-ring for oil pump cover | 1 | | |
| 83 | S6301067AA | Oil pump cover | 1 | | |
| 84 | TE1006020 | Screw M6x20 UNI5739 | 8 | | |
| 85 | S4951044 | Oil pump safety valve | 1 | | |
| 86 | TC2410030 | Screw M10x30 UNI5931 | 10 | | |
| 87 | S6501033C | Flange gasket | 1 | | |
| 88 | RA2001030 | Connection a T 1/8 NPT-1/4 Sae-1/4 Shrader | 1 | | |

| Pos. | Code | Description | Quantity | Note | Notice: |
|------|------------|------------------------------|----------|------|-----------------------------|
| 89 | S1251130 | Plug 1/8 NPT | 1 | | |
| 90 | EC1630DRIC | DIFF. PR. SWITCH KIT INT250 | 1 | | use EC1620RIC with DELTA P2 |
| 91 | S8701010AA | Suction flange | 1 | | |
| 92 | S8701034B | Suction flange - body gasket | 1 | | |
| 93 | TE1212180 | Screw M12x180 UNI5737 | 8 | | |
| 94 | TE1212220 | Screw M12x220 UNI5737 | 2 | | |
| 95 | DE1112012 | Nut M12x1,75x12 UNI 5587 | 2 | | |
| 96 | S6501130 | Plug 1/4 NPT | 2 | | |
| 97 | S8701038-A | Suction strainer | 1 | | |
| 98 | AN2027000 | Ring | 1 | | |
| 99 | RO1008024 | Washer M8x24 UNI 6593 | 1 | | |
| 100 | TE1008018 | Screw M8x18 UNI5739 | 1 | | |
| 101 | S8701153 | Screw M12 L=180 | 2 | | |
| 102 | VGS091099 | Valve | 1 | | |
| 103 | RO2016025 | Washer Grower 16x25 DIN 7980 | 4 | | |
| 104 | TC2216140 | Screw M16x140 UNI5931 | 4 | | |
| 105 | S6501055B | Valve gasket | 1 | | |
| 106 | S4501055B | Valve gasket | 1 | | |
| 107 | VGS072063 | Valve | 1 | | |
| 108 | RO1012024 | Washer M12x24 UNI 6592 | 4 | | |

| Pos. | Code | Description | Quantity | Note | Notice: |
|------|-----------|--|----------|------|-------------------------------|
| 109 | TE1212085 | Screw M12x85 UNI5737 | 4 | | |
| 110 | S8601039 | Terminal box | 1 | | |
| 111 | ECA11D | INT69 TML diagnose module kit | 1 | | use ECA11D-UPG with INT 69 TM |
| 112 | RO2006011 | Washer 6x10 UNI 1751A | 4 | | |
| 113 | TS4006012 | Screw M6x12 ISO 7045 | 4 | | |
| 114 | SK205050 | Rubber vibration absorber kit | 1 | | |
| | S650A004 | Piston kit | 1 | | |
| | SK103720 | Discharge valve kit | 1 | | |
| | SK103910 | Suction valve kit | 1 | | |
| | SK133100 | Connecting rod/piston kit | 8 | | |
| | SK140500 | Friction bearing kit | 1 | | |
| | SK170100 | Oil sight glass kit | 2 | | |
| | SK182100 | 3 ph terminal box kit | 1 | | |
| | SK190100 | Oil strainer kit | 1 | | |
| | SK210100 | Oil pump kit | 1 | | |
| | SK232711 | Complete electric motor - 230-400 / 3 / 50 DOL | 1 | | |
| | SK232712 | Complete electric motor - 400 / 3 / 50 SDS | 1 | | |
| | SK232713 | Complete electric motor - 400 / 3 / 50 PWS | 1 | | |
| | SK261040 | Electric connections kit | 1 | | |
| | SK261310 | Staple bars connection kit - V/Z/W NEW | 1 | | |

| Pos. | Code | Description | Quantity | Note | Notice: |
|------|----------|--------------------------------|----------|------|---------|
| | SK3000 | Gasket kit | 1 | | |
| | SK65006 | Valve plate kit | 4 | | |
| | sk890100 | Kit thrust collar and spring W | 1 | | |